

Change to Reel & Packaging for Cree® CLX6A & CLV6A LEDs

PCN-CM027

Announcement Date: August 13, 2012

Implementation Date: August 27, 2012

This notification applies to the following Cree order codes:

CLX6A-FKB-XXXXXXXXXXXXXXXXXX

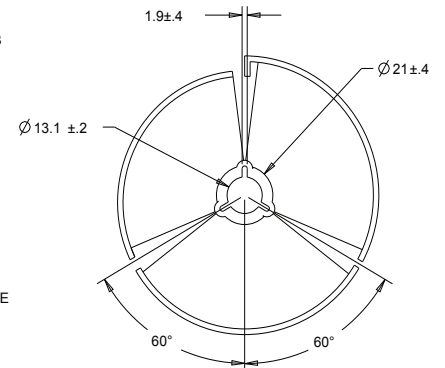
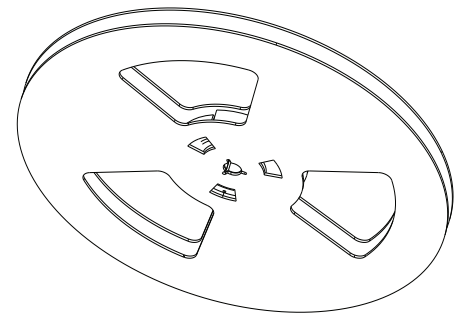
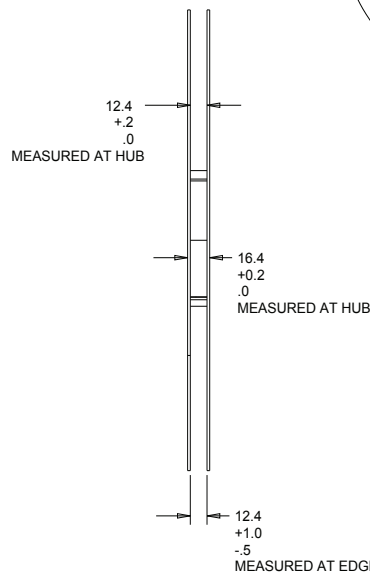
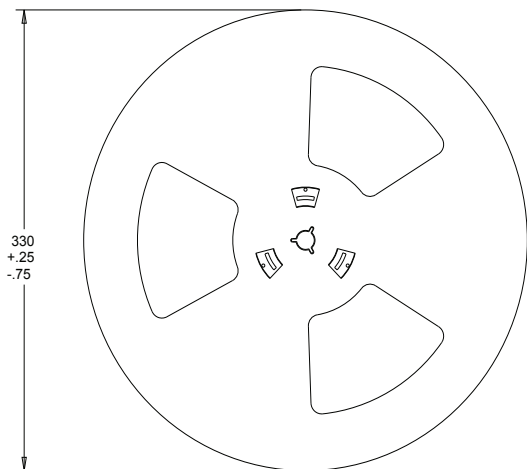
CLV6A-FKB-XXXXXXXXXXXXXXXXXX

No customer action is required.

CHANGE DESCRIPTION

Cree will begin shipment of CLX6A & CLV6A LEDs on a larger size reel, with increased number of units per reel, and in larger shipment boxes. The carrier tape within the reel remains unchanged. The new maximum reel quantities are shown below. The new reel dimensions are shown below and measured in mm.

LED	Quantity Per Reel (Old Maximum)	Quantity Per Reel (New Maximum)
CLX6A	800	2800
CLV6A	900	3000



The new shipment boxes are illustrated on the following page.

IMPACT OF CHANGE

Beginning August 27, 2012, customers may begin receiving shipments with the new reel size and new cardboard boxes. Customers may receive both new and old reel sizes in the same shipment until Cree’s inventory of LEDs on the old reels is depleted.

No customer action is required.

PACKAGING

