

## ISL6326B

4-Phase PWM Controller with 8-Bit DAC Code Capable of Precision DCR  
Differential Current Sensing

FN9286  
Rev 0.00  
Apr 26, 2006

The ISL6326B controls microprocessor core voltage regulation by driving up to 4 synchronous-rectified buck channels in parallel. Multiphase buck converter architecture uses interleaved timing to multiply channel ripple frequency and reduce input and output ripple currents. Lower ripple results in fewer components, lower component cost, reduced power dissipation, and smaller implementation area.

Microprocessor loads can generate load transients with extremely fast edge rates. The ISL6326B utilizes Intersil's proprietary Active Pulse Positioning (APP) and Adaptive Phase Alignment (APA) modulation scheme to achieve the extremely fast transient response with fewer output capacitors.

Today's microprocessors require a tightly regulated output voltage position versus load current (droop). The ISL6326B senses the output current continuously by utilizing patented techniques to measure the voltage across the dedicated current sense resistor or the DCR of the output inductor. The sensed current flows out of FB pin to develop the precision voltage drop across the feedback resistor for droop control. Current sensing also provides the needed signals for channel-current balancing, and overcurrent protection. A programmable integrated temperature compensation function is implemented to effectively compensate for the temperature coefficient of the current sense element. The current limit function provides the overcurrent protection for the individual phase.

A unity gain, differential amplifier is provided for remote voltage sensing. Any potential difference between remote and local grounds can be completely eliminated using the remote-sense amplifier. Eliminating ground differences improves regulation and protection accuracy. The threshold-sensitive enable input is available to accurately coordinate the start up of the ISL6326B with any other voltage rail. Dynamic-VID™ technology allows seamless on-the-fly VID changes. The offset pin allows accurate voltage offset settings that are independent of VID setting.

### Features

- Proprietary Active Pulse Positioning and Adaptive Phase Alignment Modulation Scheme
- Precision Multiphase Core Voltage Regulation
  - Differential Remote Voltage Sensing
  - $\pm 0.5\%$  System Accuracy Over Life, Load, Line and Temperature
  - Adjustable Precision Reference-Voltage Offset
- Precision resistor or DCR Current Sensing
  - Accurate Load-Line Programming
  - Accurate Channel-Current Balancing
  - Differential Current Sense
- Microprocessor Voltage Identification Input
  - Dynamic VID™ Technology
  - 8-Bit VID Input with Selectable VR11 Code and Extended VR10 Code at 6.25mV Per Bit
- Thermal Monitoring
- Integrated Programmable Temperature Compensation
- Overcurrent Protection and Channel Current Limit
- Load Current Indicator and External Overcurrent Protection Threshold Setup
- Overvoltage Protection
- 2, 3 or 4 Phase Operation
- Adjustable Switching Frequency up to 1MHz Per Phase
- Package Option
  - QFN Compliant to JEDEC PUB95 MO-220 QFN - Quad Flat No Leads - Product Outline
  - QFN Near Chip Scale Package Footprint; Improves PCB Efficiency, Thinner in Profile
- Pb-Free Plus Anneal Available (RoHS Compliant)

### Ordering Information

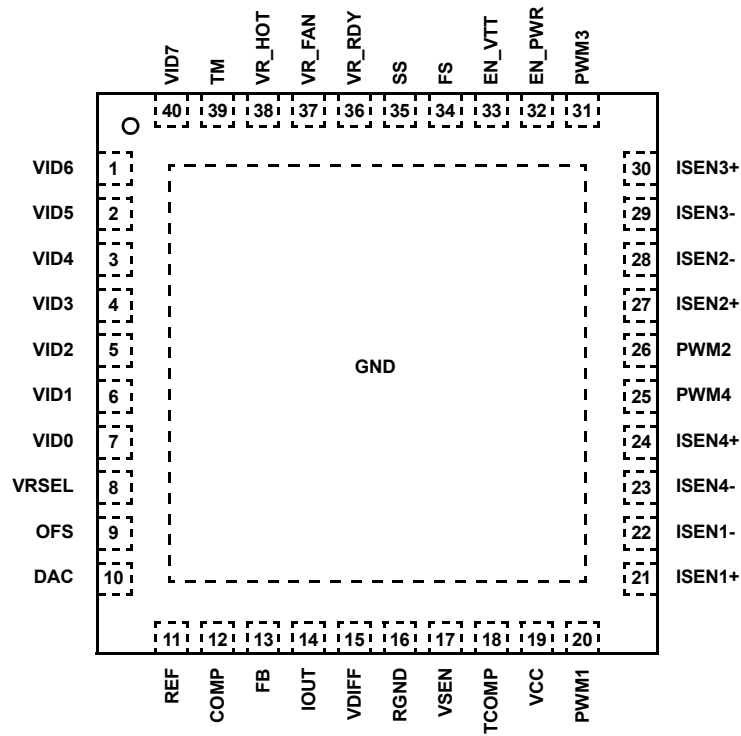
| PART NUMBER (Note) | PART MARKING | TEMP. (°C) | PACKAGE (Pb-Free) | PKG. DWG. # |
|--------------------|--------------|------------|-------------------|-------------|
| ISL6326BCRZ        | ISL6326BCRZ  | 0 to 70    | 40 Ld 6x6 QFN     | L40.6x6     |
| ISL6326BIRZ        | ISL6326BIRZ  | -40 to 85  | 40 Ld 6x6 QFN     | L40.6x6     |

Add "-T" suffix for tape and reel.

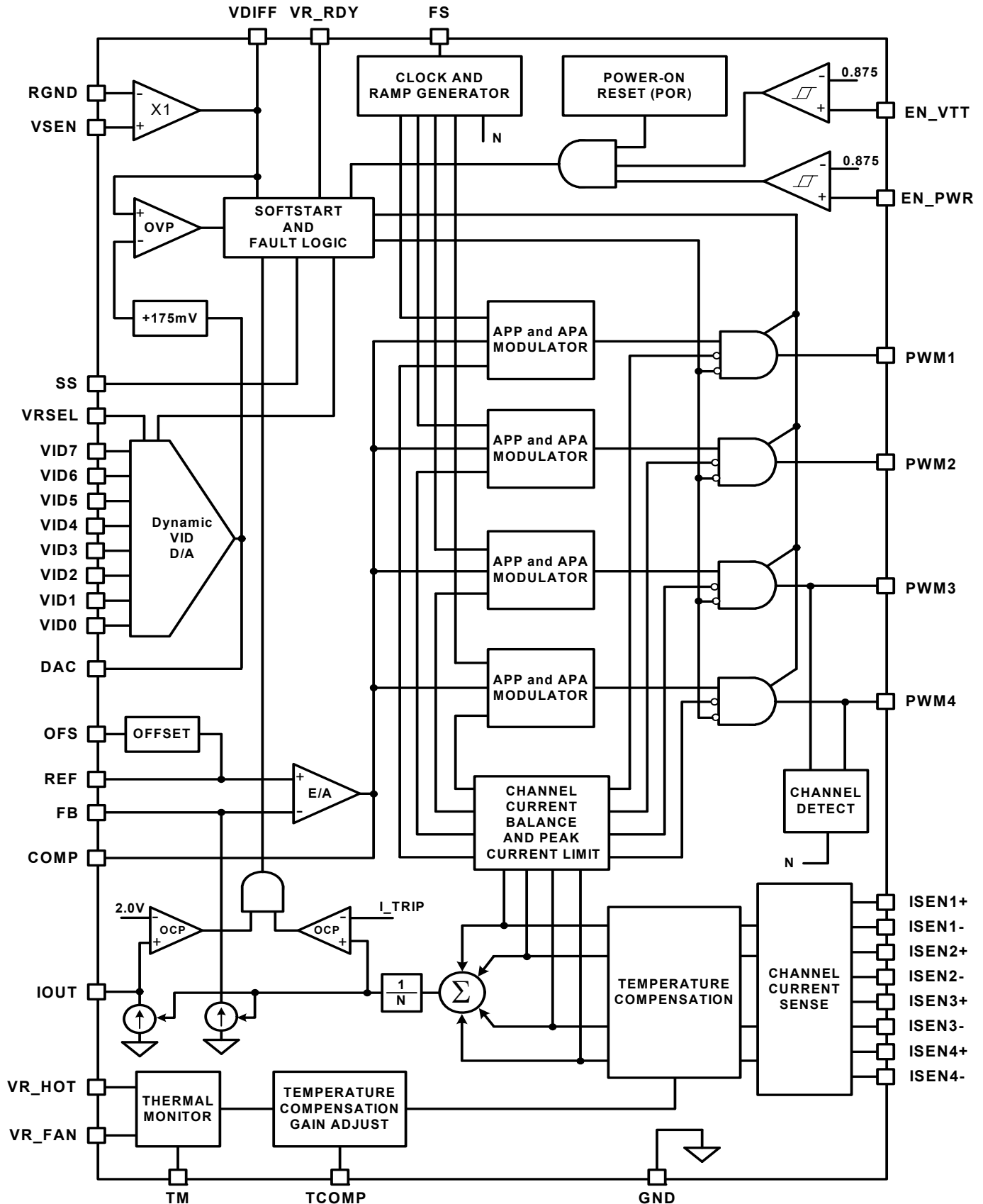
NOTE: Intersil Pb-free plus anneal products employ special Pb-free material sets; molding compounds/die attach materials and 100% matte tin plate termination finish, which are RoHS compliant and compatible with both SnPb and Pb-free soldering operations. Intersil Pb-free products are MSL classified at Pb-free peak reflow temperatures that meet or exceed the Pb-free requirements of IPC/JEDEC J STD-020.

**Pinout**

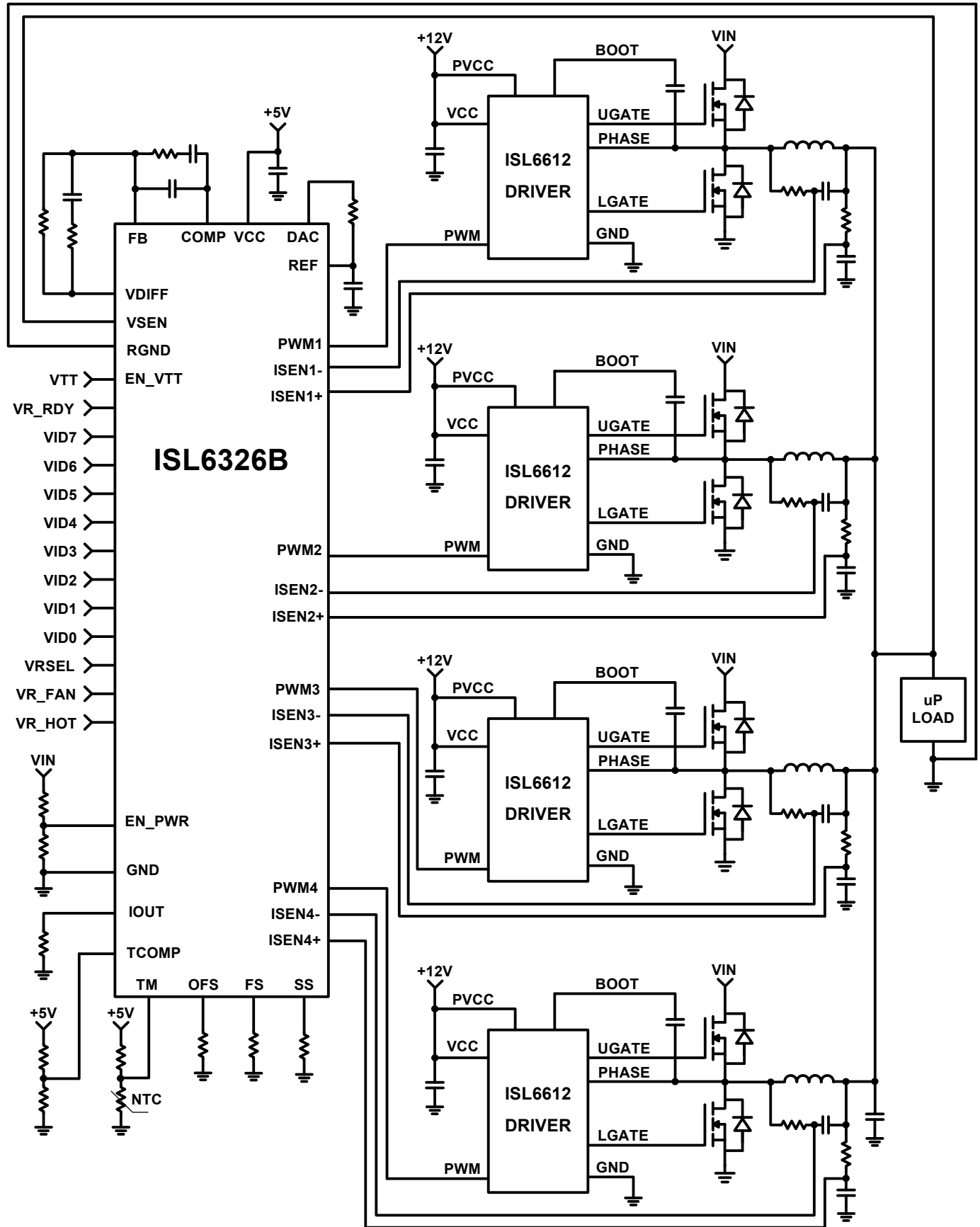
**ISL6326B (40 LD QFN)**  
TOP VIEW



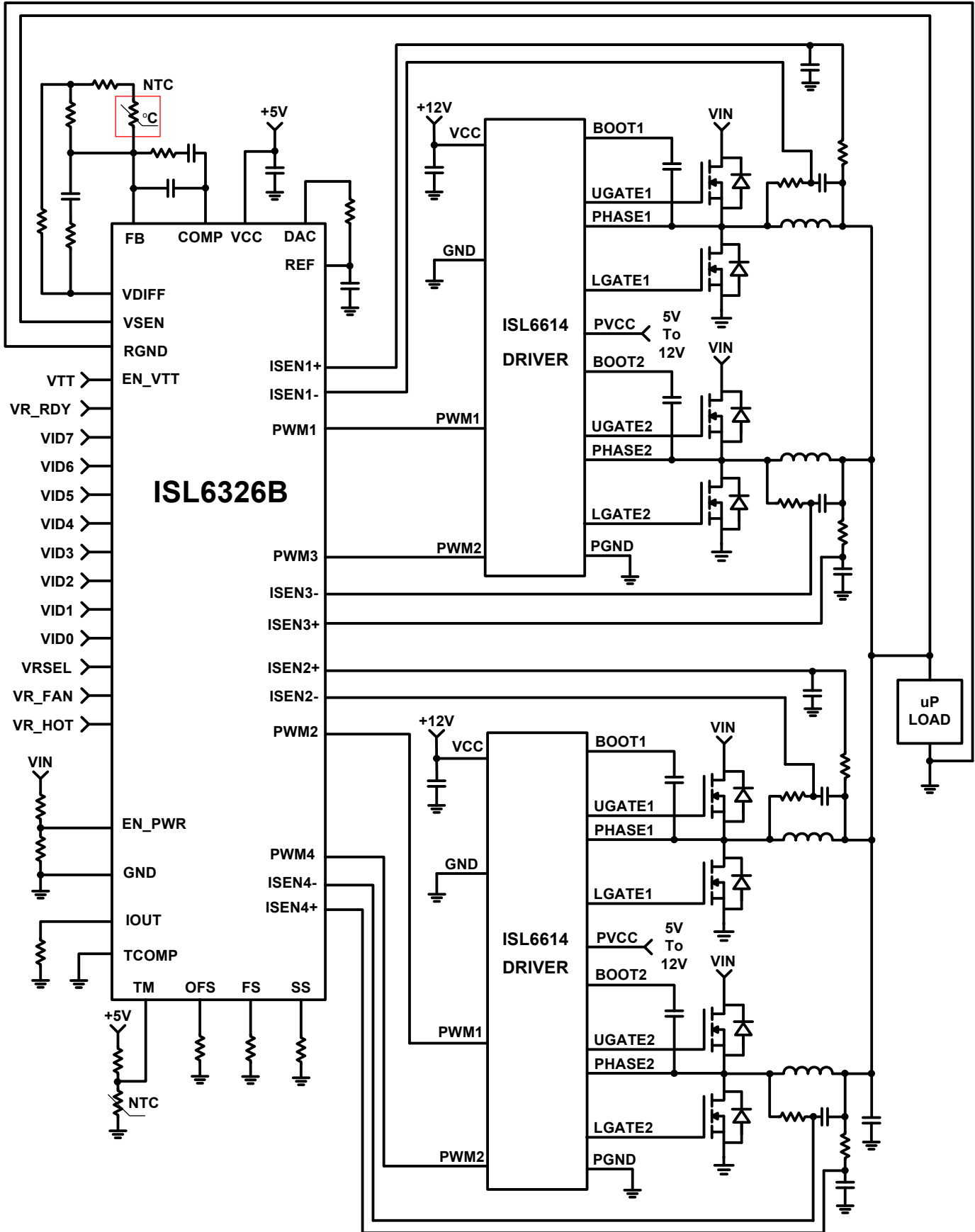
**ISL6326BCR Block Diagram**



**Typical Application - 4-Phase Buck Converter with Integrated Thermal Compensation**



**Typical Application - 4-Phase Buck Converter with External Thermal Compensation**



**Absolute Maximum Ratings**

|                            |   |
|----------------------------|---|
| Supply Voltage, VCC        | . . . . . +6V                                 |
| All Pins                   | . . . . . GND -0.3V to V <sub>CC</sub> + 0.3V |
| ESD (Human Body Model)     | . . . . . >2kV                                |
| ESD (Machine Model)        | . . . . . >200V                               |
| ESD (Charged Device Model) | . . . . . >1.5kV                              |

**Operating Conditions**

|                                   |                         |
|-----------------------------------|-------------------------|
| Supply Voltage, VCC               | . . . . . +5V ±5%       |
| Ambient Temperature (ISL6326BCRZ) | . . . . . 0°C to 70°C   |
| Ambient Temperature (ISL6326BIRZ) | . . . . . -40°C to 85°C |

**Thermal Information**

|  |                      |                      |
|--|----------------------|----------------------|
| Thermal Resistance (Notes 1, 2)          | $\theta_{JA}$ (°C/W) | $\theta_{JC}$ (°C/W) |
| QFN Package                              | 32                   | 3.5                  |
| Maximum Junction Temperature             | 150°C                |                      |
| Maximum Storage Temperature Range        | -65°C to 150°C       |                      |
| Maximum Lead Temperature (Soldering 10s) | 300°C                |                      |

**CAUTION:** Stress above those listed in "Absolute Maximum Ratings" may cause permanent damage to the device. This is a stress only rating and operation of the device at these or any other conditions above those indicated in the operational section of this specification is not implied.

**NOTES:**

- $\theta_{JA}$  is measured in free air with the component mounted on a high effective thermal conductivity test board with "direct attach" features. See Tech Brief TB379
- For  $\theta_{JC}$ , the "case temp" location is the center of the exposed metal pad on the package underside.

**Electrical Specifications** Operating Conditions: VCC = 5V, Unless Otherwise Specified

| PARAMETER  | TEST CONDITIONS   | MIN   | TYP   | MAX   | UNITS   |
|--|---|-------|-------|-------|---------|
| <b>VCC SUPPLY CURRENT</b>  |   |       |       |       |         |
| Nominal Supply   | VCC = 5VDC; EN_PWR = 5VDC; R <sub>T</sub> = 100k $\Omega$ , ISEN1 = ISEN2 = ISEN3 = ISEN4 = -70 $\mu$ A | -     | 18    | 26    | mA      |
| Shutdown Supply  | VCC = 5VDC; EN_PWR = 0VDC; R <sub>T</sub> = 100k $\Omega$   | -     | 14    | 21    | mA      |
| <b>POWER-ON RESET AND ENABLE</b>   |   |       |       |       |         |
| POR Threshold  | VCC Rising  | 4.3   | 4.5   | 4.7   | V       |
|  | VCC Falling   | 3.7   | 3.9   | 4.2   | V       |
| EN_PWR Threshold   | Rising  | 0.850 | 0.875 | 0.910 | V       |
|  | Hysteresis  | -     | 130   | -     | mV      |
|  | Falling   | 0.720 | 0.745 | 0.775 | V       |
| EN_VTT Threshold   | Rising  | 0.850 | 0.875 | 0.910 | V       |
|  | Hysteresis  | -     | 130   | -     | mV      |
|  | Falling   | 0.720 | 0.745 | 0.775 | V       |
| <b>REFERENCE VOLTAGE AND DAC</b>   |   |       |       |       |         |
| System Accuracy of ISL6326BCRZ (VID = 1V-1.6V, T <sub>J</sub> = 0°C to 70°C)   | (Note 3)  | -0.5  | -     | 0.5   | %VID    |
| System Accuracy of ISL6326BCRZ (VID = 0.5V-1V, T <sub>J</sub> = 0°C to 70°C)   | (Note 3)  | -0.9  | -     | 0.9   | %VID    |
| System Accuracy of ISL6326BIRZ (VID = 1V-1.6V, T <sub>J</sub> = -40°C to 85°C) | (Note 3)  | -0.6  | -     | 0.6   | %VID    |
| System Accuracy of ISL6326BIRZ (VID = 0.5V-1V, T <sub>J</sub> = -40°C to 85°C) | (Note 3)  | -1    | -     | 1     | %VID    |
| VID Pull Up  |   | -60   | -40   | -20   | $\mu$ A |
| VID Input Low Level  |   | -     | -     | 0.4   | V       |
| VID Input High Level   |   | 0.8   | -     | -     | V       |
| VRSEL Input Low Level  |   | -     | -     | 0.4   | V       |
| VRSEL Input High Level   |   | 0.8   | -     | -     | V       |
| DAC Source Current   |   | -     | 4     | 7     | mA      |

**Electrical Specifications** Operating Conditions: VCC = 5V, Unless Otherwise Specified (Continued)

| PARAMETER                                       | TEST CONDITIONS   | MIN   | TYP   | MAX  | UNITS |
|---|---|-------|-------|------|-------|
| DAC Sink Current                                |   | -     | -     | 300  | μA    |
| REF Source Current                              |   | 45    | 50    | 55   | μA    |
| REF Sink Current                                |   | 45    | 50    | 55   | μA    |
| <b>PIN-ADJUSTABLE OFFSET</b>                    |   |       |       |      |       |
| Voltage at OFS Pin                              | Offset resistor connected to ground                           | 380   | 400   | 420  | mV    |
|   | Voltage below VCC, offset resistor connected to VCC           | 1.55  | 1.60  | 1.65 | V     |
| <b>OSCILLATORS</b>                              |   |       |       |      |       |
| Accuracy of Switching Frequency Setting         | $R_T = 100k\Omega$  | 225   | 250   | 275  | kHz   |
| Adjustment Range of Switching Frequency         | (Note 4)  | 0.08  | -     | 1.0  | MHz   |
| Soft-start Ramp Rate                            | $R_S = 100k\Omega$ (Notes 5, 6)                               | -     | 1.563 | -    | mV/μs |
| Adjustment Range of Soft-Start Ramp Rate        | (Note 4)  | 0.625 | -     | 6.25 | mV/μs |
| <b>PWM GENERATOR</b>                            |   |       |       |      |       |
| Sawtooth Amplitude                              |   | -     | 1.25  | -    | V     |
| <b>ERROR AMPLIFIER</b>                          |   |       |       |      |       |
| Open-Loop Gain                                  | $R_L = 10k\Omega$ to ground (Note 4)                          | -     | 96    | -    | dB    |
| Open-Loop Bandwidth                             | (Note 4)  | -     | 80    | -    | MHz   |
| Slew Rate                                       | (Note 4)  | -     | 25    | -    | V/μs  |
| Maximum Output Voltage                          |   | 3.8   | 4.3   | 4.9  | V     |
| Output High Voltage @ 2mA                       |   | 3.6   | -     | -    | V     |
| Output Low Voltage @ 2mA                        |   | -     | -     | 1.8  | V     |
| <b>REMOTE-SENSE AMPLIFIER</b>                   |   |       |       |      |       |
| Bandwidth                                       | (Note 4)  | -     | 20    | -    | MHz   |
| Output High Current                             | VSEN - RGND = 2.5V  | -500  | -     | 500  | μA    |
| Output High Current                             | VSEN - RGND = 0.6   | -500  | -     | 500  | μA    |
| <b>PWM OUTPUT</b>                               |   |       |       |      |       |
| PWM Output Voltage LOW Threshold                | Iload = ±500μA  | -     | -     | 0.5  | V     |
| PWM Output Voltage HIGH Threshold               | Iload = ±500μA  | 4.3   | -     | -    | V     |
| <b>CURRENT SENSE AND OVERCURRENT PROTECTION</b> |   |       |       |      |       |
| Sensed Current Tolerance (IOUT)                 | ISEN1 = ISEN2 = ISEN3 = ISEN4 = 60μA                          | 57    | 60    | 63   | μA    |
| Overcurrent Trip Level for Average Current      |   | 72    | 85    | 98   | μA    |
| Peak Current Limit for Individual Channel       |   | 100   | 120   | 140  | μA    |
| IOUT Trip Level for Overcurrent protection      |   | 1.85  | 2.0   | 2.15 | V     |
| <b>THERMAL MONITORING AND FAN CONTROL</b>       |   |       |       |      |       |
| TM Input Voltage for VR_FAN Trip                |   | 1.55  | 1.65  | 1.75 | V     |
| TM Input Voltage for VR_FAN Reset               |   | 1.85  | 1.95  | 2.05 | V     |
| TM Input Voltage for VR_HOT Trip                |   | 1.30  | 1.40  | 1.50 | V     |
| TM Input Voltage for VR_HOT Reset               |   | 1.55  | 1.65  | 1.75 | V     |
| Leakage Current of VR_FAN                       | With externally pull-up resistor connected to VCC             | -     | -     | 30   | μA    |
| VR_FAN Low Voltage                              | With 1.25k resistor pull-up to VCC, I <sub>VR_FAN</sub> = 4mA | -     | -     | 0.4  | V     |

**Electrical Specifications** Operating Conditions: VCC = 5V, Unless Otherwise Specified (Continued)

| PARAMETER                               | TEST CONDITIONS   | MIN   | TYP   | MAX   | UNITS |
|---|---|-------|-------|-------|-------|
| Leakage Current of VR_HOT               | With externally pull-up resistor connected to VCC             | -     | -     | 30    | μA    |
| VR_HOT Low Voltage                      | With 1.25k resistor pull-up to VCC, I <sub>VR_HOT</sub> = 4mA | -     | -     | 0.4   | V     |
| <b>VR READY AND PROTECTION MONITORS</b> |   |       |       |       |       |
| Leakage Current of VR_RDY               | With externally pull-up resistor connected to VCC             | -     | -     | 30    | μA    |
| VR_RDY Low Voltage                      | I <sub>VR_RDY</sub> = 4mA                                     | -     | -     | 0.4   | V     |
| Undervoltage Threshold                  | VDIFF Falling   | 48    | 50    | 52    | %VID  |
| VR_RDY Reset Voltage                    | VDIFF Rising  | 58    | 60    | 62    | %VID  |
| Overvoltage Protection Threshold        | Before valid VID  | 1.250 | 1.275 | 1.300 | V     |
|   | After valid VID, the voltage above VID                        | 150   | 175   | 200   | mV    |
| Overvoltage Protection Reset Hysteresis |   | -     | 100   | -     | mV    |

## NOTES:

3. These parts are designed and adjusted for accuracy with all errors in the voltage loop included.
4. Spec guaranteed by design.
5. During soft-start, VDACC rises from 0 to 1.1V first and then ramp to VID voltage after receiving valid VID.
6. Soft-start ramp rate is determined by the adjustable soft-start oscillator frequency at the speed of 6.25mV per cycle.



## Functional Pin Description

**VCC** - Supplies the power necessary to operate the chip. The controller starts to operate when the voltage on this pin exceeds the rising POR threshold and shuts down when the voltage on this pin drops below the falling POR threshold. Connect this pin directly to a +5V supply.

**GND** - Bias and reference ground for the IC. The bottom metal base of ISL6326B is the GND.

**EN\_PWR** - This pin is a threshold-sensitive enable input for the controller. Connecting the 12V supply to EN\_PWR through an appropriate resistor divider provides a means to synchronize power-up of the controller and the MOSFET driver ICs. When EN\_PWR is driven above 0.875V, the ISL6326B is active depending on status of EN\_VTT, the internal POR, and pending fault states. Driving EN\_PWR below 0.745V will clear all fault states and prime the ISL6326B to soft-start when re-enabled.

**EN\_VTT** - This pin is another threshold-sensitive enable input for the controller. It's typically connected to VTT output of VTT voltage regulator in the computer mother board. When EN\_VTT is driven above 0.875V, the ISL6326B is active depending on status of EN\_PWR, the internal POR, and pending fault states. Driving EN\_VTT below 0.745V will clear all fault states and prime the ISL6326B to soft-start when re-enabled.

**FS** - Use this pin to set up the desired switching frequency. A resistor, placed from FS to ground will set the switching frequency. The relationship between the value of the resistor and the switching frequency will be described by an approximate equation.

**SS** - Use this pin to set up the desired start-up oscillator frequency. A resistor, placed from SS to ground will set up the soft-start ramp rate. The relationship between the value of the resistor and the soft-start ramp up time will be described by an approximate equation.

**VID7, VID6, VID5, VID4, VID3, VID2, VID1 and VID0** - These are the inputs to the internal DAC that generates the reference voltage for output regulation. Connect these pins either to open-drain outputs with or without external pull-up resistors or to active-pull-up outputs. All VID pins have 40 $\mu$ A internal pull-up current sources that diminish to zero as the voltage rises above the logic-high level. These inputs can be pulled up externally as high as VCC plus 0.3V.

**VRSEL** - use this pin to select internal VID code. When it is connected to GND, the extended VR10 code is selected. When it's floated or pulled to high, VR11 code is selected. This input can be pulled up as high as VCC plus 0.3V.

**VDIFF, VSEN, and RGND** - VSEN and RGND form the precision differential remote-sense amplifier. This amplifier converts the differential voltage of the remote output to a single-ended voltage referenced to local ground. VDIFF is the

amplifier's output and the input to the regulation and protection circuitry. Connect VSEN and RGND to the sense pins of the remote load.

**FB and COMP** - Inverting input and output of the error amplifier respectively. FB can be connected to VDIFF through a resistor. A properly chosen resistor between VDIFF and FB can set the load line (droop), because the sensed current will flow out of FB pin. The droop scale factor is set by the ratio of the ISEN resistors and the inductor DCR or the dedicated current sense resistor. COMP is tied back to FB through an external R-C network to compensate the regulator.

**DAC and REF** - The DAC pin is the output of the precision internal DAC reference. The REF pin is the positive input of the Error Amp. In typical applications, a 1k $\Omega$ , 1% resistor is used between DAC and REF to generate a precision offset voltage. This voltage is proportional to the offset current determined by the offset resistor from OFS to ground or VCC. A capacitor is used between REF and ground to smooth the voltage transition during Dynamic VID™ operations.

**PWM1, PWM2, PWM3, PWM4** - Pulse width modulation outputs. Connect these pins to the PWM input pins of the Intersil driver IC. The number of active channels is determined by the state of PWM3 and PWM4. Tie PWM3 to VCC to configure for 2-phase operation. Tie PWM4 to VCC to configure for 3-phase operation.

**ISEN1+, ISEN1-, ISEN2+, ISEN2-, ISEN3+, ISEN3-, ISEN4+, ISEN4-** - The ISEN+ and ISEN- pins are current sense inputs to individual differential amplifiers. The sensed current is used for channel current balancing, overcurrent protection, and droop regulation. Inactive channels should have their respective current sense inputs left open (for example, open ISEN4+ and ISEN4- for 3-phase operation).

For DCR sensing, connect each ISEN- pin to the node between the RC sense elements. Tie the ISEN+ pin to the other end of the sense capacitor through a resistor,  $R_{ISEN}$ . The voltage across the sense capacitor is proportional to the inductor current. Therefore, the sense current is proportional to the inductor current, and scaled by the DCR of the inductor and  $R_{ISEN}$ .

To match the time delay of the internal circuit, a capacitor is needed between each ISEN+ pin and GND, as described in the *Current Sensing* section.

**VR\_RDY** - VR\_RDY indicates that soft-start has completed and the output voltage is within the regulated range around VID setting. It is an open-drain logic output. When OCP or OVP occurs, VR\_RDY will be pulled to low. It will also be pulled low if the output voltage is below the under-voltage threshold.

**OFS** - The OFS pin can be used to program a DC offset current which will generate a DC offset voltage between the REF and DAC pins. The offset current is generated via an external resistor and precision internal voltage references. The

polarity of the offset is selected by connecting the resistor to GND or VCC. For no offset, the OFS pin should be left unterminated.

**TCOMP** - Temperature compensation scaling input. The voltage sensed on the TM pin is utilized as the temperature input to adjust Idroop and the overcurrent protection limit to effectively compensate for the temperature coefficient of the current sense element. To implement the integrated temperature compensation, a resistor divider circuit is needed with one resistor being connected from TCOMP to VCC of the controller and another resistor being connected from TCOMP to GND. Changing the ratio of the resistor values will set the gain of the integrated thermal compensation. When integrated temperature compensation function is not used, connect TCOMP to GND.

**IOUT** - IOUT is the output pin of sensed average channel current. In actual application, a resistor needs to be placed between IOUT and GND to ensure the proper operation. The voltage at IOUT pin will be proportional to the load current and the resistor value. ISL6326B monitors the voltage at IOUT for overcurrent protection. If the voltage at IOUT pin is higher than 2V, it will trigger the overcurrent shutdown. By choosing the proper value for the resistor at IOUT pin, the overcurrent trip level can be set to be lower than the fixed internal overcurrent threshold. Tie it to GND if not used.

**TM** - TM is an input pin for the VR temperature measurement. Connect this pin through an NTC thermistor to GND and a resistor to VCC of the controller. The voltage at this pin is reverse proportional to the VR temperature. ISL6326B monitors the VR temperature based on the voltage at the TM pin and outputs VR\_HOT and VR\_FAN signals.

**VR\_HOT** - VR\_HOT is used as an indication of high VR temperature. It is an open-drain logic output. It will be pulled low if the measured VR temperature is less than a certain level, and open when the measured VR temperature reaches a certain level. A external pull-up resistor is needed.

**VR\_FAN** - VR\_FAN is an output pin with open-drain logic output. It will be pulled low if the measured VR temperature is less than a certain level, and open when the measured VR temperature reaches a certain level. A external pull-up resistor is needed.

## Operation

### Multiphase Power Conversion

Microprocessor load current profiles have changed to the point that the advantages of multiphase power conversion are impossible to ignore. The technical challenges associated with producing a single-phase converter which is both cost-effective and thermally viable have forced a change to the cost-saving approach of multiphase. The ISL6326B controller helps reduce the complexity of implementation by integrating vital functions and requiring minimal output components. The block diagrams on pages 3, 4, and 5 provide top level views of multiphase power conversion using the ISL6326B controller.

### Interleaving

The switching of each channel in a multiphase converter is timed to be symmetrically out of phase with each of the other channels. In a 3-phase converter, each channel switches 1/3 cycle after the previous channel and 1/3 cycle before the following channel. As a result, the three-phase converter has a combined ripple frequency three times greater than the ripple frequency of any one phase. In addition, the peak-to-peak amplitude of the combined inductor currents is reduced in proportion to the number of phases (Equations 1 and 2). Increased ripple frequency and lower ripple amplitude mean that the designer can use less per-channel inductance and lower total output capacitance for any performance specification.

Figure 1 illustrates the multiplicative effect on output ripple frequency. The three channel currents (IL1, IL2, and IL3) combine to form the AC ripple current and the DC load current. The ripple component has three times the ripple frequency of each individual channel current. Each PWM pulse is terminated 1/3 of a cycle after the PWM pulse of the previous phase. The DC components of the inductor currents combine to feed the load.

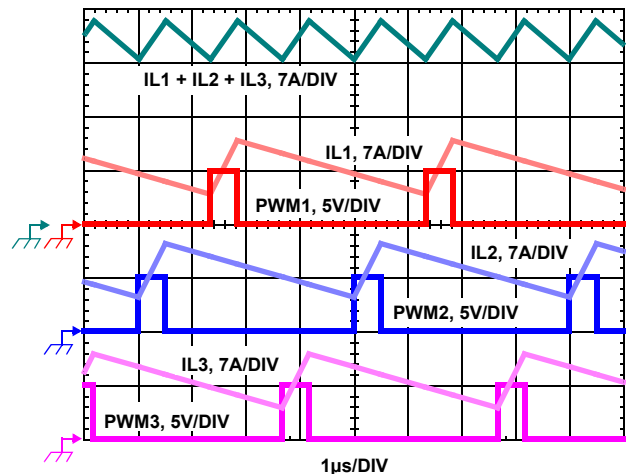
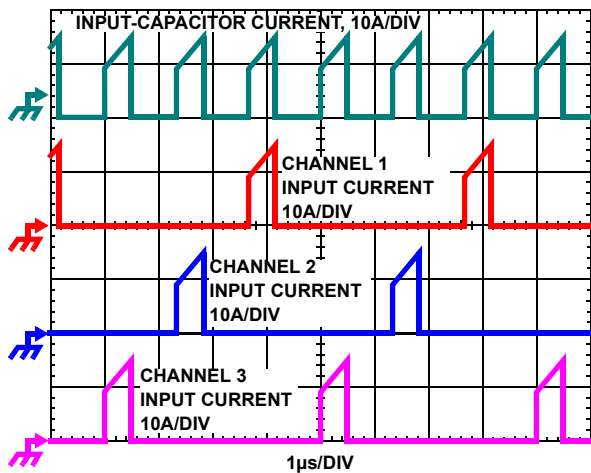


FIGURE 1. PWM AND INDUCTOR-CURRENT WAVEFORMS FOR 3-PHASE CONVERTER

To understand the reduction of ripple current amplitude in the multiphase circuit, examine the equation representing an individual channel's peak-to-peak inductor current.

$$I_{PP} = \frac{(V_{IN} - V_{OUT})V_{OUT}}{L f_S V_{IN}} \quad (\text{EQ. 1})$$

In Equation 1,  $V_{IN}$  and  $V_{OUT}$  are the input and output voltages respectively,  $L$  is the single-channel inductor value, and  $f_S$  is the switching frequency.



**FIGURE 2. CHANNEL INPUT CURRENTS AND INPUT-CAPACITOR RMS CURRENT FOR 3-PHASE CONVERTER**

The output capacitors conduct the ripple component of the inductor current. In the case of multiphase converters, the capacitor current is the sum of the ripple currents from each of the individual channels. Compare Equation 1 to the expression for the peak-to-peak current after the summation of  $N$  symmetrically phase-shifted inductor currents in Equation 2. Peak-to-peak ripple current decreases by an amount proportional to the number of channels. Output-voltage ripple is a function of capacitance, capacitor equivalent series resistance (ESR), and inductor ripple current. Reducing the inductor ripple current allows the designer to use fewer or less costly output capacitors.

$$I_{C, PP} = \frac{(V_{IN} - N V_{OUT})V_{OUT}}{L f_S V_{IN}} \quad (\text{EQ. 2})$$

Another benefit of interleaving is to reduce input ripple current. Input capacitance is determined in part by the maximum input ripple current. Multiphase topologies can improve overall system cost and size by lowering input ripple current and allowing the designer to reduce the cost of input capacitance. The example in Figure 2 illustrates input currents from a three-phase converter combining to reduce the total input ripple current.

The converter depicted in Figure 2 delivers 36A to a 1.5V load from a 12V input. The RMS input capacitor current is 5.9A. Compare this to a single-phase converter also stepping down 12V to 1.5V at 36A. The single-phase converter has 11.9A RMS

input capacitor current. The single-phase converter must use an input capacitor bank with twice the RMS current capacity as the equivalent three-phase converter.

Figures 17, 18 and 19 in the section entitled *Input Capacitor Selection* can be used to determine the input-capacitor RMS current based on load current, duty cycle, and the number of channels. They are provided as aids in determining the optimal input capacitor solution. Figure 20 shows the single phase input-capacitor RMS current for comparison.

### PWM Modulation Scheme

The ISL6326B adopts Intersil's proprietary Active Pulse Positioning (APP) modulation scheme to improve transient performance. APP control is a unique dual-edge PWM modulation scheme with both PWM leading and trailing edges being independently moved to give the best response to transient loads. The PWM frequency, however, is constant and set by the external resistor between the FS pin and GND. To further improve the transient response, the ISL6326B also implements Intersil's proprietary Adaptive Phase Alignment (APA) technique. APA, with sufficiently large load step currents, can turn on all phases together. With both APP and APA control, ISL6326B can achieve excellent transient performance and reduce the demand on the output capacitors.

Under steady state conditions the operation of the ISL6326B PWM modulator appears to be that of a conventional trailing edge modulator. Conventional analysis and design methods can therefore be used for steady state and small signal operation.

### PWM Operation

The timing of each channel is set by the number of active channels. The default channel setting for the ISL6326B is four. The switching cycle is defined as the time between PWM pulse termination signals of each channel. The cycle time of the pulse signal is the inverse of the switching frequency set by the resistor between the FS pin and ground. The PWM signals command the MOSFET driver to turn on/off the channel MOSFETs.

For 4-channel operation, the channel firing order is 4-3-2-1: PWM3 pulse happens 1/4 of a cycle after PWM4, PWM2 output follows another 1/4 of a cycle after PWM3, and PWM1 delays another 1/4 of a cycle after PWM2. For 3-channel operation, the channel firing order is 3-2-1.

Connecting PWM4 to VCC selects three channel operation and the pulse times are spaced in 1/3 cycle increments. If PWM3 is connected to VCC, two channel operation is selected and the PWM2 pulse happens 1/2 of a cycle after PWM pulse.

### Switching Frequency

Switching frequency is determined by the selection of the frequency-setting resistor,  $R_T$ , which is connected from FS pin to GND (see the figures labelled Typical Applications on pages

4 and 5). Equation 3 is provided to assist in selecting the correct resistor value.

$$R_T = \frac{2.5 \times 10^{10}}{F_{SW}} \quad (\text{EQ. 3})$$

where  $F_{SW}$  is the switching frequency of each phase.

### Current Sensing

ISL6326B senses the current continuously for fast response. ISL6326B supports inductor DCR sensing, or resistive sensing techniques. The associated channel current sense amplifier uses the ISEN inputs to reproduce a signal proportional to the inductor current,  $I_L$ . The sense current,  $I_{SEN}$ , is proportional to the inductor current. The sensed current is used for current balance, load-line regulation, and overcurrent protection.

The internal circuitry, shown in Figures 3, and 4, represents one channel of an N-channel converter. This circuitry is repeated for each channel in the converter, but may not be active depending on the status of the PWM3 and PWM4 pins, as described in the *PWM Operation* section.

### INDUCTOR DCR SENSING

An inductor's winding is characteristic of a distributed resistance as measured by the DCR (Direct Current Resistance) parameter. Consider the inductor DCR as a separate lumped quantity, as shown in Figure 3. The channel current  $I_L$ , flowing through the inductor, will also pass through the DCR. Equation 4 shows the s-domain equivalent voltage across the inductor  $V_L$ .

$$V_L = I_L \cdot (s \cdot L + \text{DCR}) \quad (\text{EQ. 4})$$

A simple R-C network across the inductor extracts the DCR voltage, as shown in Figure 3.

The voltage on the capacitor  $V_C$ , can be shown to be proportional to the channel current  $I_L$ , see Equation 5.

$$V_C = \frac{\left(s \cdot \frac{L}{\text{DCR}} + 1\right) \cdot (\text{DCR} \cdot I_L)}{(s \cdot RC + 1)} \quad (\text{EQ. 5})$$

If the R-C network components are selected such that the RC time constant ( $= R \cdot C$ ) matches the inductor time constant ( $= L/\text{DCR}$ ), the voltage across the capacitor  $V_C$  is equal to the voltage drop across the DCR, i.e., proportional to the channel current.

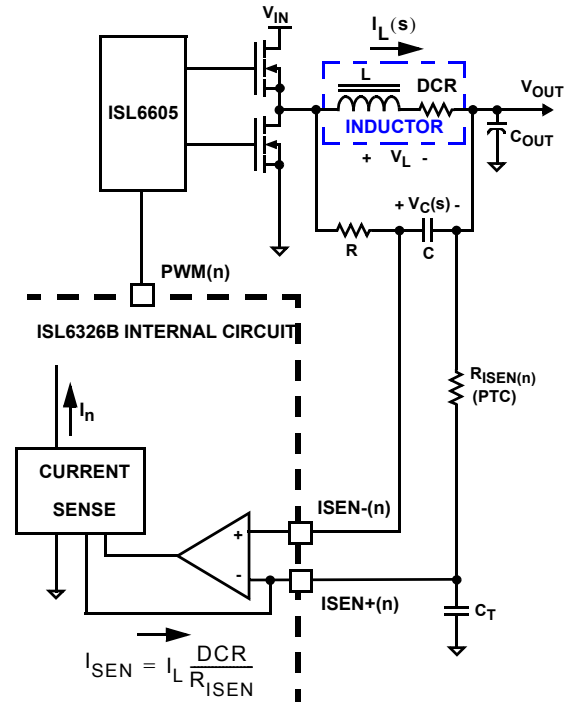


FIGURE 3. DCR SENSING CONFIGURATION

With the internal low-offset current amplifier, the capacitor voltage  $V_C$  is replicated across the sense resistor  $R_{ISEN}$ . Therefore, the current out of ISEN+ pin,  $I_{SEN}$ , is proportional to the inductor current.

Because of the internal filter at ISEN- pin, one capacitor,  $C_T$ , is needed to match the time delay between the ISEN- and ISEN+ signals. Select the proper  $C_T$  to keep the time constant of  $R_{ISEN}$  and  $C_T$  ( $R_{ISEN} \times C_T$ ) close to 27ns.

Equation 6 shows that the ratio of the channel current to the sensed current,  $I_{SEN}$ , is driven by the value of the sense resistor and the DCR of the inductor.

$$I_{SEN} = I_L \cdot \frac{\text{DCR}}{R_{ISEN}} \quad (\text{EQ. 6})$$

### RESISTIVE SENSING

For accurate current sense, a dedicated current-sense resistor  $R_{SENSE}$  in series with each output inductor can serve as the current sense element (see Figure 4). This technique is more accurate, but reduces overall converter efficiency due to the additional power loss on the current sense element  $R_{SENSE}$ .

The same capacitor  $C_T$  is needed to match the time delay between ISEN- and ISEN+ signals. Select the proper  $C_T$  to keep the time constant of  $R_{ISEN}$  and  $C_T$  ( $R_{ISEN} \times C_T$ ) close to 27ns.

Equation 7 shows the ratio of the channel current to the sensed current  $I_{SEN}$ .

$$I_{SEN} = I_L \cdot \frac{R_{SENSE}}{R_{ISEN}} \quad (EQ. 7)$$

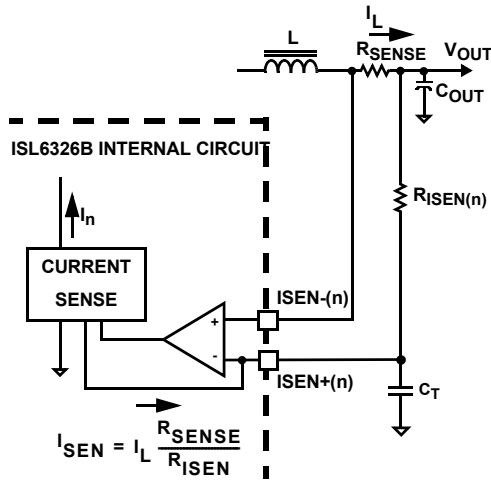


FIGURE 4. SENSE RESISTOR IN SERIES WITH INDUCTORS

The inductor DCR value will increase as the temperature increases. Therefore the sensed current will increase as the temperature of the current sense element increases. In order to compensate the temperature effect on the sensed current signal, a Positive Temperature Coefficient (PTC) resistor can be selected for the sense resistor  $R_{ISEN}$ , or the integrated temperature compensation function of ISL6326B should be utilized. The integrated temperature compensation function is described in the *Temperature Compensation* section.

**Channel-Current Balance**

The sensed current  $I_n$  from each active channel are summed together and divided by the number of active channels. The resulting average current  $I_{AVG}$  provides a measure of the total load current. Channel current balance is achieved by comparing the sensed current of each channel to the average current to make an appropriate adjustment to the PWM duty cycle of each channel with Intersil’s patented current-balance method.

Channel current balance is essential in achieving the thermal advantage of multiphase operation. With good current balance, the power loss is equally dissipated over multiple devices and a greater area.

**Voltage Regulation**

The compensation network shown in Figure 5 assures that the steady-state error in the output voltage is limited only to the error in the reference voltage (output of the DAC) and offset errors in the OFS current source, remote-sense and error amplifiers. Intersil specifies the guaranteed tolerance of the ISL6326B to include the combined tolerances of each of these elements.

The sensed average current  $I_{AVG}$  is tied to FB internally. This current will develop voltage drop across the resistor between FB and VDIFF pins for droop control. ISL6326B can not be used for non-droop applications.

The output of the error amplifier,  $V_{COMP}$ , is compared to sawtooth waveforms to generate the PWM signals. The PWM signals control the timing of the Intersil MOSFET drivers and regulate the converter output to the specified reference voltage. The internal and external circuitry which control voltage regulation is illustrated in Figure 5.

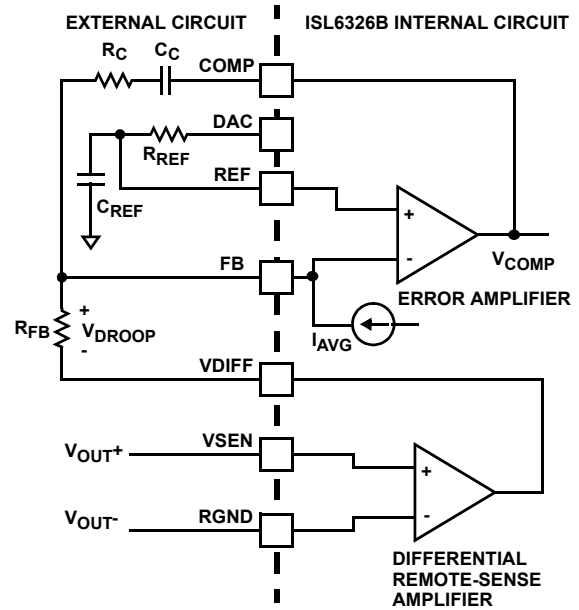


FIGURE 5. OUTPUT VOLTAGE AND LOAD-LINE REGULATION WITH OFFSET ADJUSTMENT

The ISL6326B incorporates an internal differential remote-sense amplifier in the feedback path. The amplifier removes the voltage error encountered when measuring the output voltage relative to the local controller ground reference point resulting in a more accurate means of sensing output voltage. Connect the microprocessor sense pins to the non-inverting input,  $V_{SEN}$ , and inverting input,  $R_{GND}$ , of the remote-sense amplifier. The remote-sense output,  $V_{DIFF}$ , is connected to the inverting input of the error amplifier through an external resistor.

A digital-to-analog converter (DAC) generates a reference voltage based on the state of logic signals at pins VID7 through VID0. The DAC decodes the eight 6-bit logic signal (VID) into one of the discrete voltages shown in Table 1. Each VID input offers a 45µA pull-up to an internal 2.5V source for use with open-drain outputs. The pull-up current diminishes to zero above the logic threshold to protect voltage-sensitive output devices. External pull-up resistors can augment the pull-up current sources if case leakage into the driving device is greater than 45µA.



TABLE 1. VR10 VID TABLE (WITH 6.25mV EXTENSION)

| VID4<br>400mV | VID3<br>200mV | VID2<br>100mV | VID1<br>50mV | VID0<br>25mV | VID5<br>12.5mV | VID6<br>6.25mV | VOLTAGE<br>(V) |
|---------------|---------------|---------------|--------------|--------------|----------------|----------------|----------------|
| 0             | 1             | 0             | 1            | 0            | 1              | 1              | 1.6            |
| 0             | 1             | 0             | 1            | 0            | 1              | 0              | 1.59375        |
| 0             | 1             | 0             | 1            | 1            | 0              | 1              | 1.5875         |
| 0             | 1             | 0             | 1            | 1            | 0              | 0              | 1.58125        |
| 0             | 1             | 0             | 1            | 1            | 1              | 1              | 1.575          |
| 0             | 1             | 0             | 1            | 1            | 1              | 0              | 1.56875        |
| 0             | 1             | 1             | 0            | 0            | 0              | 1              | 1.5625         |
| 0             | 1             | 1             | 0            | 0            | 0              | 0              | 1.55625        |
| 0             | 1             | 1             | 0            | 0            | 1              | 1              | 1.55           |
| 0             | 1             | 1             | 0            | 0            | 1              | 0              | 1.54375        |
| 0             | 1             | 1             | 0            | 1            | 0              | 1              | 1.5375         |
| 0             | 1             | 1             | 0            | 1            | 0              | 0              | 1.53125        |
| 0             | 1             | 1             | 0            | 1            | 1              | 1              | 1.525          |
| 0             | 1             | 1             | 0            | 1            | 1              | 0              | 1.51875        |
| 0             | 1             | 1             | 1            | 0            | 0              | 1              | 1.5125         |
| 0             | 1             | 1             | 1            | 0            | 0              | 0              | 1.50625        |
| 0             | 1             | 1             | 1            | 0            | 1              | 1              | 1.5            |
| 0             | 1             | 1             | 1            | 0            | 1              | 0              | 1.49375        |
| 0             | 1             | 1             | 1            | 1            | 0              | 1              | 1.4875         |
| 0             | 1             | 1             | 1            | 1            | 0              | 0              | 1.48125        |
| 0             | 1             | 1             | 1            | 1            | 1              | 1              | 1.475          |
| 0             | 1             | 1             | 1            | 1            | 1              | 0              | 1.46875        |
| 1             | 0             | 0             | 0            | 0            | 0              | 1              | 1.4625         |
| 1             | 0             | 0             | 0            | 0            | 0              | 0              | 1.45625        |
| 1             | 0             | 0             | 0            | 0            | 1              | 1              | 1.45           |
| 1             | 0             | 0             | 0            | 0            | 1              | 0              | 1.44375        |
| 1             | 0             | 0             | 0            | 1            | 0              | 1              | 1.4375         |
| 1             | 0             | 0             | 0            | 1            | 0              | 0              | 1.43125        |
| 1             | 0             | 0             | 0            | 1            | 1              | 1              | 1.425          |
| 1             | 0             | 0             | 0            | 1            | 1              | 0              | 1.41875        |
| 1             | 0             | 0             | 1            | 0            | 0              | 1              | 1.4125         |
| 1             | 0             | 0             | 1            | 0            | 0              | 0              | 1.40625        |
| 1             | 0             | 0             | 1            | 0            | 1              | 1              | 1.4            |
| 1             | 0             | 0             | 1            | 0            | 1              | 0              | 1.39375        |
| 1             | 0             | 0             | 1            | 1            | 0              | 1              | 1.3875         |
| 1             | 0             | 0             | 1            | 1            | 0              | 0              | 1.38125        |
| 1             | 0             | 0             | 1            | 1            | 1              | 1              | 1.375          |
| 1             | 0             | 0             | 1            | 1            | 1              | 0              | 1.36875        |
| 1             | 0             | 1             | 0            | 0            | 0              | 1              | 1.3625         |

TABLE 1. VR10 VID TABLE (WITH 6.25mV EXTENSION)  
(Continued)

| VID4<br>400mV | VID3<br>200mV | VID2<br>100mV | VID1<br>50mV | VID0<br>25mV | VID5<br>12.5mV | VID6<br>6.25mV | VOLTAGE<br>(V) |
|---------------|---------------|---------------|--------------|--------------|----------------|----------------|----------------|
| 1             | 0             | 1             | 0            | 0            | 0              | 0              | 1.35625        |
| 1             | 0             | 1             | 0            | 0            | 1              | 1              | 1.35           |
| 1             | 0             | 1             | 0            | 0            | 1              | 0              | 1.34375        |
| 1             | 0             | 1             | 0            | 1            | 0              | 1              | 1.3375         |
| 1             | 0             | 1             | 0            | 1            | 0              | 0              | 1.33125        |
| 1             | 0             | 1             | 0            | 1            | 1              | 1              | 1.325          |
| 1             | 0             | 1             | 0            | 1            | 1              | 0              | 1.31875        |
| 1             | 0             | 1             | 1            | 0            | 0              | 1              | 1.3125         |
| 1             | 0             | 1             | 1            | 0            | 0              | 0              | 1.30625        |
| 1             | 0             | 1             | 1            | 0            | 1              | 1              | 1.3            |
| 1             | 0             | 1             | 1            | 0            | 1              | 0              | 1.29375        |
| 1             | 0             | 1             | 1            | 1            | 0              | 1              | 1.2875         |
| 1             | 0             | 1             | 1            | 1            | 0              | 0              | 1.28125        |
| 1             | 0             | 1             | 1            | 1            | 1              | 1              | 1.275          |
| 1             | 0             | 1             | 1            | 1            | 1              | 0              | 1.26875        |
| 1             | 1             | 0             | 0            | 0            | 0              | 1              | 1.2625         |
| 1             | 1             | 0             | 0            | 0            | 0              | 0              | 1.25625        |
| 1             | 1             | 0             | 0            | 0            | 1              | 1              | 1.25           |
| 1             | 1             | 0             | 0            | 0            | 1              | 0              | 1.24375        |
| 1             | 1             | 0             | 0            | 1            | 0              | 1              | 1.2375         |
| 1             | 1             | 0             | 0            | 1            | 0              | 0              | 1.23125        |
| 1             | 1             | 0             | 0            | 1            | 1              | 1              | 1.225          |
| 1             | 1             | 0             | 0            | 1            | 1              | 0              | 1.21875        |
| 1             | 1             | 0             | 1            | 0            | 0              | 1              | 1.2125         |
| 1             | 1             | 0             | 1            | 0            | 0              | 0              | 1.20625        |
| 1             | 1             | 0             | 1            | 0            | 1              | 1              | 1.2            |
| 1             | 1             | 0             | 1            | 0            | 1              | 0              | 1.19375        |
| 1             | 1             | 0             | 1            | 1            | 0              | 1              | 1.1875         |
| 1             | 1             | 0             | 1            | 1            | 0              | 0              | 1.18125        |
| 1             | 1             | 0             | 1            | 1            | 1              | 1              | 1.175          |
| 1             | 1             | 0             | 1            | 1            | 1              | 0              | 1.16875        |
| 1             | 1             | 1             | 0            | 0            | 0              | 1              | 1.1625         |
| 1             | 1             | 1             | 0            | 0            | 0              | 0              | 1.15625        |
| 1             | 1             | 1             | 0            | 0            | 1              | 1              | 1.15           |
| 1             | 1             | 1             | 0            | 0            | 1              | 0              | 1.14375        |
| 1             | 1             | 1             | 0            | 1            | 0              | 1              | 1.1375         |
| 1             | 1             | 1             | 0            | 1            | 0              | 0              | 1.13125        |
| 1             | 1             | 1             | 0            | 1            | 1              | 1              | 1.125          |
| 1             | 1             | 1             | 0            | 1            | 1              | 0              | 1.11875        |

**TABLE 1. VR10 VID TABLE (WITH 6.25mV EXTENSION)**  
(Continued)

| VID4<br>400mV | VID3<br>200mV | VID2<br>100mV | VID1<br>50mV | VID0<br>25mV | VID5<br>12.5mV | VID6<br>6.25mV | VOLTAGE<br>(V) |
|---------------|---------------|---------------|--------------|--------------|----------------|----------------|----------------|
| 1             | 1             | 1             | 1            | 0            | 0              | 1              | 1.1125         |
| 1             | 1             | 1             | 1            | 0            | 0              | 0              | 1.10625        |
| 1             | 1             | 1             | 1            | 0            | 1              | 1              | 1.1            |
| 1             | 1             | 1             | 1            | 0            | 1              | 0              | 1.09375        |
| 1             | 1             | 1             | 1            | 1            | 0              | 1              | OFF            |
| 1             | 1             | 1             | 1            | 1            | 0              | 0              | OFF            |
| 1             | 1             | 1             | 1            | 1            | 1              | 1              | OFF            |
| 1             | 1             | 1             | 1            | 1            | 1              | 0              | OFF            |
| 0             | 0             | 0             | 0            | 0            | 0              | 1              | 1.0875         |
| 0             | 0             | 0             | 0            | 0            | 0              | 0              | 1.08125        |
| 0             | 0             | 0             | 0            | 0            | 1              | 1              | 1.075          |
| 0             | 0             | 0             | 0            | 0            | 1              | 0              | 1.06875        |
| 0             | 0             | 0             | 0            | 1            | 0              | 1              | 1.0625         |
| 0             | 0             | 0             | 0            | 1            | 0              | 0              | 1.05625        |
| 0             | 0             | 0             | 0            | 1            | 1              | 1              | 1.05           |
| 0             | 0             | 0             | 0            | 1            | 1              | 0              | 1.04375        |
| 0             | 0             | 0             | 1            | 0            | 0              | 1              | 1.0375         |
| 0             | 0             | 0             | 1            | 0            | 0              | 0              | 1.03125        |
| 0             | 0             | 0             | 1            | 0            | 1              | 1              | 1.025          |
| 0             | 0             | 0             | 1            | 0            | 1              | 0              | 1.01875        |
| 0             | 0             | 0             | 1            | 1            | 0              | 1              | 1.0125         |
| 0             | 0             | 0             | 1            | 1            | 0              | 0              | 1.00625        |
| 0             | 0             | 0             | 1            | 1            | 1              | 1              | 1              |
| 0             | 0             | 0             | 1            | 1            | 1              | 0              | 0.99375        |
| 0             | 0             | 1             | 0            | 0            | 0              | 1              | 0.9875         |
| 0             | 0             | 1             | 0            | 0            | 0              | 0              | 0.98125        |
| 0             | 0             | 1             | 0            | 0            | 1              | 1              | 0.975          |
| 0             | 0             | 1             | 0            | 0            | 1              | 0              | 0.96875        |
| 0             | 0             | 1             | 0            | 1            | 0              | 1              | 0.9625         |
| 0             | 0             | 1             | 0            | 1            | 0              | 0              | 0.95625        |
| 0             | 0             | 1             | 0            | 1            | 1              | 1              | 0.95           |
| 0             | 0             | 1             | 0            | 1            | 1              | 0              | 0.94375        |
| 0             | 0             | 1             | 1            | 0            | 0              | 1              | 0.9375         |
| 0             | 0             | 1             | 1            | 0            | 0              | 0              | 0.93125        |
| 0             | 0             | 1             | 1            | 0            | 1              | 1              | 0.925          |
| 0             | 0             | 1             | 1            | 0            | 1              | 0              | 0.91875        |
| 0             | 0             | 1             | 1            | 1            | 0              | 1              | 0.9125         |
| 0             | 0             | 1             | 1            | 1            | 0              | 0              | 0.90625        |
| 0             | 0             | 1             | 1            | 1            | 1              | 1              | 0.9            |

**TABLE 1. VR10 VID TABLE (WITH 6.25mV EXTENSION)**  
(Continued)

| VID4<br>400mV | VID3<br>200mV | VID2<br>100mV | VID1<br>50mV | VID0<br>25mV | VID5<br>12.5mV | VID6<br>6.25mV | VOLTAGE<br>(V) |
|---------------|---------------|---------------|--------------|--------------|----------------|----------------|----------------|
| 0             | 0             | 1             | 1            | 1            | 1              | 0              | 0.89375        |
| 0             | 1             | 0             | 0            | 0            | 0              | 1              | 0.8875         |
| 0             | 1             | 0             | 0            | 0            | 0              | 0              | 0.88125        |
| 0             | 1             | 0             | 0            | 0            | 1              | 1              | 0.875          |
| 0             | 1             | 0             | 0            | 0            | 1              | 0              | 0.86875        |
| 0             | 1             | 0             | 0            | 1            | 0              | 1              | 0.8625         |
| 0             | 1             | 0             | 0            | 1            | 0              | 0              | 0.85625        |
| 0             | 1             | 0             | 0            | 1            | 1              | 1              | 0.85           |
| 0             | 1             | 0             | 0            | 1            | 1              | 0              | 0.84375        |
| 0             | 1             | 0             | 1            | 0            | 0              | 1              | 0.8375         |
| 0             | 1             | 0             | 1            | 0            | 0              | 0              | 0.83125        |

**TABLE 2. VR11 VID 8 BIT**

| VID7 | VID6 | VID5 | VID4 | VID3 | VID2 | VID1 | VID0 | VOLTAGE |
|------|------|------|------|------|------|------|------|---------|
| 0    | 0    | 0    | 0    | 0    | 0    | 0    | 0    | OFF     |
| 0    | 0    | 0    | 0    | 0    | 0    | 0    | 1    | OFF     |
| 0    | 0    | 0    | 0    | 0    | 0    | 1    | 0    | 1.60000 |
| 0    | 0    | 0    | 0    | 0    | 0    | 1    | 1    | 1.59375 |
| 0    | 0    | 0    | 0    | 0    | 1    | 0    | 0    | 1.58750 |
| 0    | 0    | 0    | 0    | 0    | 1    | 0    | 1    | 1.58125 |
| 0    | 0    | 0    | 0    | 0    | 1    | 1    | 0    | 1.57500 |
| 0    | 0    | 0    | 0    | 0    | 1    | 1    | 1    | 1.56875 |
| 0    | 0    | 0    | 0    | 1    | 0    | 0    | 0    | 1.56250 |
| 0    | 0    | 0    | 0    | 1    | 0    | 0    | 1    | 1.55625 |
| 0    | 0    | 0    | 0    | 1    | 0    | 1    | 0    | 1.55000 |
| 0    | 0    | 0    | 0    | 1    | 0    | 1    | 1    | 1.54375 |
| 0    | 0    | 0    | 0    | 1    | 1    | 0    | 0    | 1.53750 |
| 0    | 0    | 0    | 0    | 1    | 1    | 0    | 1    | 1.53125 |
| 0    | 0    | 0    | 0    | 1    | 1    | 1    | 0    | 1.52500 |
| 0    | 0    | 0    | 0    | 1    | 1    | 1    | 1    | 1.51875 |
| 0    | 0    | 0    | 1    | 0    | 0    | 0    | 0    | 1.51250 |
| 0    | 0    | 0    | 1    | 0    | 0    | 0    | 1    | 1.50625 |
| 0    | 0    | 0    | 1    | 0    | 0    | 1    | 0    | 1.50000 |
| 0    | 0    | 0    | 1    | 0    | 0    | 1    | 1    | 1.49375 |
| 0    | 0    | 0    | 1    | 0    | 1    | 0    | 0    | 1.48750 |
| 0    | 0    | 0    | 1    | 0    | 1    | 0    | 1    | 1.48125 |
| 0    | 0    | 0    | 1    | 0    | 1    | 1    | 0    | 1.47500 |
| 0    | 0    | 0    | 1    | 0    | 1    | 1    | 1    | 1.46875 |
| 0    | 0    | 0    | 1    | 1    | 0    | 0    | 0    | 1.46250 |

TABLE 2. VR11 VID 8 BIT (Continued)

| VID7 | VID6 | VID5 | VID4 | VID3 | VID2 | VID1 | VID0 | VOLTAGE |
|------|------|------|------|------|------|------|------|---------|
| 0    | 0    | 0    | 1    | 1    | 0    | 0    | 1    | 1.45625 |
| 0    | 0    | 0    | 1    | 1    | 0    | 1    | 0    | 1.45000 |
| 0    | 0    | 0    | 1    | 1    | 0    | 1    | 1    | 1.44375 |
| 0    | 0    | 0    | 1    | 1    | 1    | 0    | 0    | 1.43750 |
| 0    | 0    | 0    | 1    | 1    | 1    | 0    | 1    | 1.43125 |
| 0    | 0    | 0    | 1    | 1    | 1    | 1    | 0    | 1.42500 |
| 0    | 0    | 0    | 1    | 1    | 1    | 1    | 1    | 1.41875 |
| 0    | 0    | 1    | 0    | 0    | 0    | 0    | 0    | 1.41250 |
| 0    | 0    | 1    | 0    | 0    | 0    | 0    | 1    | 1.40625 |
| 0    | 0    | 1    | 0    | 0    | 0    | 1    | 0    | 1.40000 |
| 0    | 0    | 1    | 0    | 0    | 0    | 1    | 1    | 1.39375 |
| 0    | 0    | 1    | 0    | 0    | 1    | 0    | 0    | 1.38750 |
| 0    | 0    | 1    | 0    | 0    | 1    | 0    | 1    | 1.38125 |
| 0    | 0    | 1    | 0    | 0    | 1    | 1    | 0    | 1.37500 |
| 0    | 0    | 1    | 0    | 0    | 1    | 1    | 1    | 1.36875 |
| 0    | 0    | 1    | 0    | 1    | 0    | 0    | 0    | 1.36250 |
| 0    | 0    | 1    | 0    | 1    | 0    | 0    | 1    | 1.35625 |
| 0    | 0    | 1    | 0    | 1    | 0    | 1    | 0    | 1.35000 |
| 0    | 0    | 1    | 0    | 1    | 0    | 1    | 1    | 1.34375 |
| 0    | 0    | 1    | 0    | 1    | 1    | 0    | 0    | 1.33750 |
| 0    | 0    | 1    | 0    | 1    | 1    | 0    | 1    | 1.33125 |
| 0    | 0    | 1    | 0    | 1    | 1    | 1    | 0    | 1.32500 |
| 0    | 0    | 1    | 0    | 1    | 1    | 1    | 1    | 1.31875 |
| 0    | 0    | 1    | 1    | 0    | 0    | 0    | 0    | 1.31250 |
| 0    | 0    | 1    | 1    | 0    | 0    | 0    | 1    | 1.30625 |
| 0    | 0    | 1    | 1    | 0    | 0    | 1    | 0    | 1.30000 |
| 0    | 0    | 1    | 1    | 0    | 0    | 1    | 1    | 1.29375 |
| 0    | 0    | 1    | 1    | 0    | 1    | 0    | 0    | 1.28750 |
| 0    | 0    | 1    | 1    | 0    | 1    | 0    | 1    | 1.28125 |
| 0    | 0    | 1    | 1    | 0    | 1    | 1    | 0    | 1.27500 |
| 0    | 0    | 1    | 1    | 0    | 1    | 1    | 1    | 1.26875 |
| 0    | 0    | 1    | 1    | 1    | 0    | 0    | 0    | 1.26250 |
| 0    | 0    | 1    | 1    | 1    | 0    | 0    | 1    | 1.25625 |
| 0    | 0    | 1    | 1    | 1    | 0    | 1    | 0    | 1.25000 |
| 0    | 0    | 1    | 1    | 1    | 0    | 1    | 1    | 1.24375 |
| 0    | 0    | 1    | 1    | 1    | 1    | 0    | 0    | 1.23750 |
| 0    | 0    | 1    | 1    | 1    | 1    | 0    | 1    | 1.23125 |
| 0    | 0    | 1    | 1    | 1    | 1    | 1    | 0    | 1.22500 |
| 0    | 0    | 1    | 1    | 1    | 1    | 1    | 1    | 1.21875 |
| 0    | 1    | 0    | 0    | 0    | 0    | 0    | 0    | 1.21250 |

TABLE 2. VR11 VID 8 BIT (Continued)

| VID7 | VID6 | VID5 | VID4 | VID3 | VID2 | VID1 | VID0 | VOLTAGE |
|------|------|------|------|------|------|------|------|---------|
| 0    | 1    | 0    | 0    | 0    | 0    | 0    | 1    | 1.20625 |
| 0    | 1    | 0    | 0    | 0    | 0    | 1    | 0    | 1.20000 |
| 0    | 1    | 0    | 0    | 0    | 0    | 1    | 1    | 1.19375 |
| 0    | 1    | 0    | 0    | 0    | 1    | 0    | 0    | 1.18750 |
| 0    | 1    | 0    | 0    | 0    | 1    | 0    | 1    | 1.18125 |
| 0    | 1    | 0    | 0    | 0    | 1    | 1    | 0    | 1.17500 |
| 0    | 1    | 0    | 0    | 0    | 1    | 1    | 1    | 1.16875 |
| 0    | 1    | 0    | 0    | 1    | 0    | 0    | 0    | 1.16250 |
| 0    | 1    | 0    | 0    | 1    | 0    | 0    | 1    | 1.15625 |
| 0    | 1    | 0    | 0    | 1    | 0    | 1    | 0    | 1.15000 |
| 0    | 1    | 0    | 0    | 1    | 0    | 1    | 1    | 1.14375 |
| 0    | 1    | 0    | 0    | 1    | 1    | 0    | 0    | 1.13750 |
| 0    | 1    | 0    | 0    | 1    | 1    | 0    | 1    | 1.13125 |
| 0    | 1    | 0    | 0    | 1    | 1    | 1    | 0    | 1.12500 |
| 0    | 1    | 0    | 0    | 1    | 1    | 1    | 1    | 1.11875 |
| 0    | 1    | 0    | 1    | 0    | 0    | 0    | 0    | 1.11250 |
| 0    | 1    | 0    | 1    | 0    | 0    | 0    | 1    | 1.10625 |
| 0    | 1    | 0    | 1    | 0    | 0    | 1    | 0    | 1.10000 |
| 0    | 1    | 0    | 1    | 0    | 0    | 1    | 1    | 1.09375 |
| 0    | 1    | 0    | 1    | 0    | 1    | 0    | 0    | 1.08750 |
| 0    | 1    | 0    | 1    | 0    | 1    | 0    | 1    | 1.08125 |
| 0    | 1    | 0    | 1    | 0    | 1    | 1    | 0    | 1.07500 |
| 0    | 1    | 0    | 1    | 0    | 1    | 1    | 1    | 1.06875 |
| 0    | 1    | 0    | 1    | 1    | 0    | 0    | 0    | 1.06250 |
| 0    | 1    | 0    | 1    | 1    | 0    | 0    | 1    | 1.05625 |
| 0    | 1    | 0    | 1    | 1    | 0    | 1    | 0    | 1.05000 |
| 0    | 1    | 0    | 1    | 1    | 0    | 1    | 1    | 1.04375 |
| 0    | 1    | 0    | 1    | 1    | 1    | 0    | 0    | 1.03750 |
| 0    | 1    | 0    | 1    | 1    | 1    | 0    | 1    | 1.03125 |
| 0    | 1    | 0    | 1    | 1    | 1    | 1    | 0    | 1.02500 |
| 0    | 1    | 0    | 1    | 1    | 1    | 1    | 1    | 1.01875 |
| 0    | 1    | 1    | 0    | 0    | 0    | 0    | 0    | 1.01250 |
| 0    | 1    | 1    | 0    | 0    | 0    | 0    | 1    | 1.00625 |
| 0    | 1    | 1    | 0    | 0    | 0    | 1    | 0    | 1.00000 |
| 0    | 1    | 1    | 0    | 0    | 0    | 1    | 1    | 0.99375 |
| 0    | 1    | 1    | 0    | 0    | 1    | 0    | 0    | 0.98750 |
| 0    | 1    | 1    | 0    | 0    | 1    | 0    | 1    | 0.98125 |
| 0    | 1    | 1    | 0    | 0    | 1    | 1    | 0    | 0.97500 |
| 0    | 1    | 1    | 0    | 0    | 1    | 1    | 1    | 0.96875 |
| 0    | 1    | 1    | 0    | 1    | 0    | 0    | 0    | 0.96250 |



TABLE 2. VR11 VID 8 BIT (Continued)

| VID7 | VID6 | VID5 | VID4 | VID3 | VID2 | VID1 | VID0 | VOLTAGE |
|------|------|------|------|------|------|------|------|---------|
| 0    | 1    | 1    | 0    | 1    | 0    | 0    | 1    | 0.95625 |
| 0    | 1    | 1    | 0    | 1    | 0    | 1    | 0    | 0.95000 |
| 0    | 1    | 1    | 0    | 1    | 0    | 1    | 1    | 0.94375 |
| 0    | 1    | 1    | 0    | 1    | 1    | 0    | 0    | 0.93750 |
| 0    | 1    | 1    | 0    | 1    | 1    | 0    | 1    | 0.93125 |
| 0    | 1    | 1    | 0    | 1    | 1    | 1    | 0    | 0.92500 |
| 0    | 1    | 1    | 0    | 1    | 1    | 1    | 1    | 0.91875 |
| 0    | 1    | 1    | 1    | 0    | 0    | 0    | 0    | 0.91250 |
| 0    | 1    | 1    | 1    | 0    | 0    | 0    | 1    | 0.90625 |
| 0    | 1    | 1    | 1    | 0    | 0    | 1    | 0    | 0.90000 |
| 0    | 1    | 1    | 1    | 0    | 0    | 1    | 1    | 0.89375 |
| 0    | 1    | 1    | 1    | 0    | 1    | 0    | 0    | 0.88750 |
| 0    | 1    | 1    | 1    | 0    | 1    | 0    | 1    | 0.88125 |
| 0    | 1    | 1    | 1    | 0    | 1    | 1    | 0    | 0.87500 |
| 0    | 1    | 1    | 1    | 0    | 1    | 1    | 1    | 0.86875 |
| 0    | 1    | 1    | 1    | 1    | 0    | 0    | 0    | 0.86250 |
| 0    | 1    | 1    | 1    | 1    | 0    | 0    | 1    | 0.85625 |
| 0    | 1    | 1    | 1    | 1    | 0    | 1    | 0    | 0.85000 |
| 0    | 1    | 1    | 1    | 1    | 0    | 1    | 1    | 0.84375 |
| 0    | 1    | 1    | 1    | 1    | 1    | 0    | 0    | 0.83750 |
| 0    | 1    | 1    | 1    | 1    | 1    | 0    | 1    | 0.83125 |
| 0    | 1    | 1    | 1    | 1    | 1    | 1    | 0    | 0.82500 |
| 0    | 1    | 1    | 1    | 1    | 1    | 1    | 1    | 0.81875 |
| 1    | 0    | 0    | 0    | 0    | 0    | 0    | 0    | 0.81250 |
| 1    | 0    | 0    | 0    | 0    | 0    | 0    | 1    | 0.80625 |
| 1    | 0    | 0    | 0    | 0    | 0    | 1    | 0    | 0.80000 |
| 1    | 0    | 0    | 0    | 0    | 0    | 1    | 1    | 0.79375 |
| 1    | 0    | 0    | 0    | 0    | 1    | 0    | 0    | 0.78750 |
| 1    | 0    | 0    | 0    | 0    | 1    | 0    | 1    | 0.78125 |
| 1    | 0    | 0    | 0    | 0    | 1    | 1    | 0    | 0.77500 |
| 1    | 0    | 0    | 0    | 0    | 1    | 1    | 1    | 0.76875 |
| 1    | 0    | 0    | 0    | 1    | 0    | 0    | 0    | 0.76250 |
| 1    | 0    | 0    | 0    | 1    | 0    | 0    | 1    | 0.75625 |
| 1    | 0    | 0    | 0    | 1    | 0    | 1    | 0    | 0.75000 |
| 1    | 0    | 0    | 0    | 1    | 0    | 1    | 1    | 0.74375 |
| 1    | 0    | 0    | 0    | 1    | 1    | 0    | 0    | 0.73750 |
| 1    | 0    | 0    | 0    | 1    | 1    | 0    | 1    | 0.73125 |
| 1    | 0    | 0    | 0    | 1    | 1    | 1    | 0    | 0.72500 |
| 1    | 0    | 0    | 0    | 1    | 1    | 1    | 1    | 0.71875 |
| 1    | 0    | 0    | 1    | 0    | 0    | 0    | 0    | 0.71250 |

TABLE 2. VR11 VID 8 BIT (Continued)

| VID7 | VID6 | VID5 | VID4 | VID3 | VID2 | VID1 | VID0 | VOLTAGE |
|------|------|------|------|------|------|------|------|---------|
| 1    | 0    | 0    | 1    | 0    | 0    | 0    | 1    | 0.70625 |
| 1    | 0    | 0    | 1    | 0    | 0    | 1    | 0    | 0.70000 |
| 1    | 0    | 0    | 1    | 0    | 0    | 1    | 1    | 0.69375 |
| 1    | 0    | 0    | 1    | 0    | 1    | 0    | 0    | 0.68750 |
| 1    | 0    | 0    | 1    | 0    | 1    | 0    | 1    | 0.68125 |
| 1    | 0    | 0    | 1    | 0    | 1    | 1    | 0    | 0.67500 |
| 1    | 0    | 0    | 1    | 0    | 1    | 1    | 1    | 0.66875 |
| 1    | 0    | 0    | 1    | 1    | 0    | 0    | 0    | 0.66250 |
| 1    | 0    | 0    | 1    | 1    | 0    | 0    | 1    | 0.65625 |
| 1    | 0    | 0    | 1    | 1    | 0    | 1    | 0    | 0.65000 |
| 1    | 0    | 0    | 1    | 1    | 0    | 1    | 1    | 0.64375 |
| 1    | 0    | 0    | 1    | 1    | 1    | 0    | 0    | 0.63750 |
| 1    | 0    | 0    | 1    | 1    | 1    | 0    | 1    | 0.63125 |
| 1    | 0    | 0    | 1    | 1    | 1    | 1    | 0    | 0.62500 |
| 1    | 0    | 0    | 1    | 1    | 1    | 1    | 1    | 0.61875 |
| 1    | 0    | 1    | 0    | 0    | 0    | 0    | 0    | 0.61250 |
| 1    | 0    | 1    | 0    | 0    | 0    | 0    | 1    | 0.60625 |
| 1    | 0    | 1    | 0    | 0    | 0    | 1    | 0    | 0.60000 |
| 1    | 0    | 1    | 0    | 0    | 0    | 1    | 1    | 0.59375 |
| 1    | 0    | 1    | 0    | 0    | 1    | 0    | 0    | 0.58750 |
| 1    | 0    | 1    | 0    | 0    | 1    | 0    | 1    | 0.58125 |
| 1    | 0    | 1    | 0    | 0    | 1    | 1    | 0    | 0.57500 |
| 1    | 0    | 1    | 0    | 0    | 1    | 1    | 1    | 0.56875 |
| 1    | 0    | 1    | 0    | 1    | 0    | 0    | 0    | 0.56250 |
| 1    | 0    | 1    | 0    | 1    | 0    | 0    | 1    | 0.55625 |
| 1    | 0    | 1    | 0    | 1    | 0    | 1    | 0    | 0.55000 |
| 1    | 0    | 1    | 0    | 1    | 0    | 1    | 1    | 0.54375 |
| 1    | 0    | 1    | 0    | 1    | 1    | 0    | 0    | 0.53750 |
| 1    | 0    | 1    | 0    | 1    | 1    | 0    | 1    | 0.53125 |
| 1    | 0    | 1    | 0    | 1    | 1    | 1    | 0    | 0.52500 |
| 1    | 0    | 1    | 0    | 1    | 1    | 1    | 1    | 0.51875 |
| 1    | 0    | 1    | 1    | 0    | 0    | 0    | 0    | 0.51250 |
| 1    | 0    | 1    | 1    | 0    | 0    | 0    | 1    | 0.50625 |
| 1    | 0    | 1    | 1    | 0    | 0    | 1    | 0    | 0.50000 |
| 1    | 1    | 1    | 1    | 1    | 1    | 1    | 0    | OFF     |
| 1    | 1    | 1    | 1    | 1    | 1    | 1    | 1    | OFF     |

### Load-Line Regulation

Some microprocessor manufacturers require a precisely-controlled output resistance. This dependence of output voltage on load current is often termed “droop” or “load line” regulation. By adding a well controlled output impedance, the output voltage can effectively be level shifted in a direction which works to achieve the load-line regulation required by these manufacturers.

In other cases, the designer may determine that a more cost-effective solution can be achieved by adding droop. Droop can help to reduce the output-voltage spike that results from fast load-current demand changes.

The magnitude of the spike is dictated by the ESR and ESL of the output capacitors selected. By positioning the no-load voltage level near the upper specification limit, a larger negative spike can be sustained without crossing the lower limit. By adding a well controlled output impedance, the output voltage under load can effectively be level shifted down so that a larger positive spike can be sustained without crossing the upper specification limit.

As shown in Figure 5, a current proportional to the average current of all active channels,  $I_{AVG}$ , flows from FB through a load-line regulation resistor  $R_{FB}$ . The resulting voltage drop across  $R_{FB}$  is proportional to the output current, effectively creating an output voltage droop with a steady-state value defined as

$$V_{DROOP} = I_{AVG} R_{FB} \quad (\text{EQ. 8})$$

The regulated output voltage is reduced by the droop voltage  $V_{DROOP}$ . The output voltage as a function of load current is derived by combining Equation 8 with the appropriate sample current expression defined by the current sense method employed.

$$V_{OUT} = V_{REF} - V_{OFS} - \left( \frac{I_{LOAD}}{N} \frac{R_X}{R_{ISEN}} R_{FB} \right) \quad (\text{EQ. 9})$$

Where  $V_{REF}$  is the reference voltage,  $V_{OFS}$  is the programmed offset voltage,  $I_{LOAD}$  is the total output current of the converter,  $R_{ISEN}$  is the sense resistor connected to the  $ISEN+$  pin, and  $R_{FB}$  is the feedback resistor,  $N$  is the active channel number, and  $R_X$  is the DCR, or  $R_{SENSE}$  depending on the sensing method.

Therefore the equivalent loadline impedance, i.e. Droop impedance, is equal to:

$$R_{LL} = \frac{R_{FB}}{N} \frac{R_X}{R_{ISEN}} \quad (\text{EQ. 10})$$

### Output-Voltage Offset Programming

The ISL6326B allows the designer to accurately adjust the offset voltage. When a resistor,  $R_{OFS}$ , is connected between OFS to VCC, the voltage across it is regulated to 1.6V. This causes a proportional current ( $I_{OFS}$ ) to flow into OFS. If  $R_{OFS}$  is connected to ground, the voltage across it is regulated to 0.4V, and  $I_{OFS}$  flows out of OFS. A resistor between DAC and REF,  $R_{REF}$ , is selected so that the product ( $I_{OFS} \times R_{OFS}$ ) is equal to the desired offset voltage. These functions are shown in Figure 6.

Once the desired output offset voltage has been determined, use the following formulas to set  $R_{OFS}$ :

For Positive Offset (connect  $R_{OFS}$  to VCC):

$$R_{OFS} = \frac{1.6 \times R_{REF}}{V_{OFFSET}} \quad (\text{EQ. 11})$$

For Negative Offset (connect  $R_{OFS}$  to GND):

$$R_{OFS} = \frac{0.4 \times R_{REF}}{V_{OFFSET}} \quad (\text{EQ. 12})$$

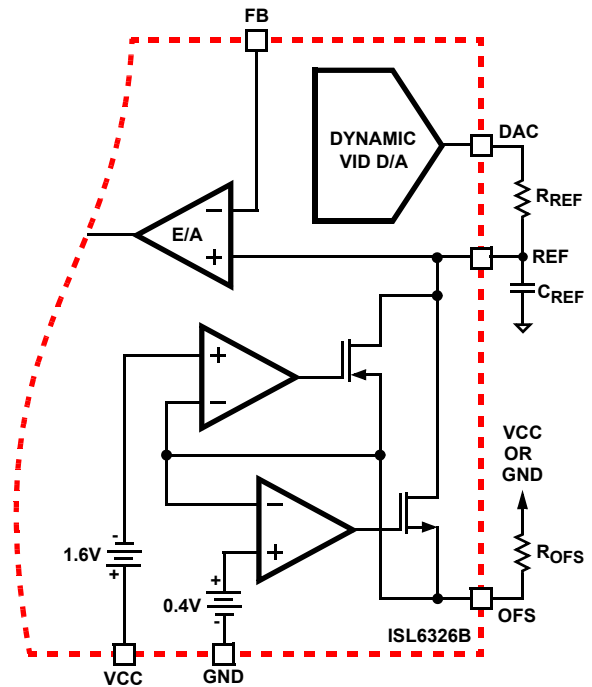


FIGURE 6. OUTPUT VOLTAGE OFFSET PROGRAMMING

## Dynamic VID

Modern microprocessors need to make changes to their core voltage as part of normal operation. They direct the core-voltage regulator to do this by making changes to the VID inputs during regulator operation. The power management solution is required to monitor the DAC inputs and respond to on-the-fly VID changes in a controlled manner. Supervising the safe output voltage transition within the DAC range of the processor without discontinuity or disruption is a necessary function of the core-voltage regulator.

In order to ensure the smooth transition of output voltage during VID change, a VID step change smoothing network, composed of  $R_{REF}$  and  $C_{REF}$  as shown in Figure 6, can be used. The selection of  $R_{REF}$  is based on the desired offset voltage as detailed above in *Output-Voltage Offset Programming*. The selection of  $C_{REF}$  is based on the time duration for 1 bit VID change and the allowable delay time.

Assuming the microprocessor controls the VID change at 1 bit every  $T_{VID}$ , the relationship between the time constant of  $R_{REF}$  and  $C_{REF}$  network and  $T_{VID}$  is given by the following equation.

$$C_{REF} R_{REF} = T_{VID} \quad (\text{EQ. 13})$$

## Operation Initialization

Prior to converter initialization, proper conditions must exist on the enable inputs and VCC. When the conditions are met, the controller begins soft-start. Once the output voltage is within the proper window of operation,  $VR\_RDY$  asserts logic high.

### Enable and Disable

While in shutdown mode, the PWM outputs are held in a high-impedance state to assure the drivers remain off. The following input conditions must be met before the ISL6326B is released from shutdown mode.

1. The bias voltage applied at VCC must reach the internal power-on reset (POR) rising threshold. Once this threshold is reached, proper operation of all aspects of the ISL6326B is guaranteed. Hysteresis between the rising and falling thresholds assure that once enabled, the ISL6326B will not inadvertently turn off unless the bias voltage drops substantially (see *Electrical Specifications*).
2. The ISL6326B features an enable input (EN\_PWR) for power sequencing between the controller bias voltage and another voltage rail. The enable comparator holds the ISL6326B in shutdown until the voltage at EN\_PWR rises above 0.875V. The enable comparator has about 130mV of hysteresis to prevent bounce. It is important that the driver ICs reach their POR level before the ISL6326B becomes enabled. The schematic in Figure 7 demonstrates sequencing the ISL6326B with the ISL66xx family of Intersil MOSFET drivers, which require 12V bias.
3. The voltage on EN\_VTT must be higher than 0.875V to enable the controller. This pin is typically connected to the output of VTT VR.

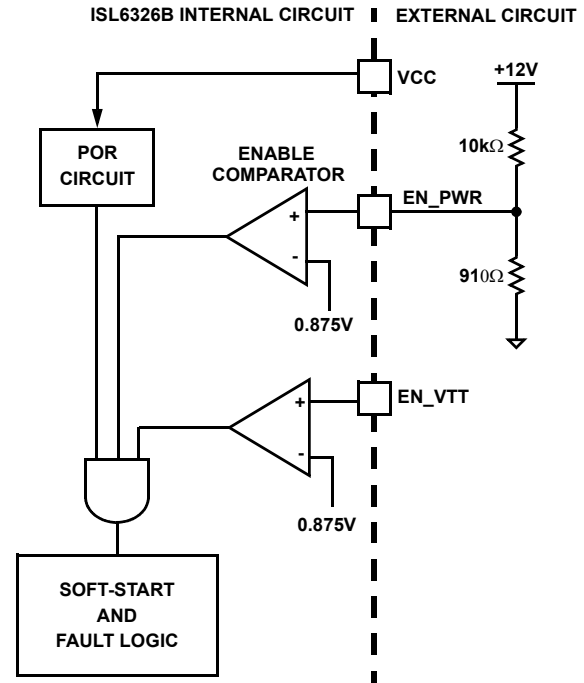


FIGURE 7. POWER SEQUENCING USING THRESHOLD-SENSITIVE ENABLE (EN) FUNCTION

When all conditions above are satisfied, ISL6326B begins the soft-start and ramps the output voltage to 1.1V first. After remaining at 1.1V for some time, ISL6326B reads the VID code at VID input pins. If the VID code is valid, ISL6326B will regulate the output to the final VID setting. If the VID code is OFF code, ISL6326B will shut down, and cycling VCC, EN\_PWR or EN\_VTT is needed to restart.

### Soft-Start

ISL6326B based VR has 4 periods during soft-start as shown in Figure 8. After VCC, EN\_VTT and EN\_PWR reach their POR/enable thresholds, The controller will have fixed delay period TD1. After this delay period, the VR will begin first soft-start ramp until the output voltage reaches 1.1V Vboot voltage. Then, the controller will regulate the VR voltage at 1.1V for another fixed period TD3. At the end of TD3 period, ISL6326B reads the VID signals. If the VID code is valid, ISL6326B will initiate the second soft-start ramp until the voltage reaches the VID voltage minus offset voltage.

The soft-start time is the sum of the 4 periods as shown in the following equation.

$$T_{SS} = TD1 + TD2 + TD3 + TD4 \quad (\text{EQ. 14})$$

TD1 is a fixed delay with the typical value as 1.36ms. TD3 is determined by the fixed 85μs plus the time to obtain valid VID voltage. If the VID is valid before the output reaches the 1.1V, the minimum time to validate the VID input is 500ns. Therefore the minimum TD3 is about 86μs.

During TD2 and TD4, ISL6326B digitally controls the DAC voltage change at 6.25mV per step. The time for each step is

determined by the frequency of the soft-start oscillator which is defined by the resistor  $R_{SS}$  from SS pin to GND. The second soft-start ramp time TD2 and TD4 can be calculated based on the following equations:

$$TD2 = \frac{1.1 \times R_{SS}}{6.25 \times 25} (\mu\text{s}) \quad (\text{EQ. 15})$$

$$TD4 = \frac{(V_{VID} - 1.1) \times R_{SS}}{6.25 \times 25} (\mu\text{s}) \quad (\text{EQ. 16})$$

For example, when VID is set to 1.5V and the  $R_{SS}$  is set at 100k $\Omega$ , the first soft-start ramp time TD2 will be 704 $\mu\text{s}$  and the second soft-start ramp time TD4 will be 256 $\mu\text{s}$ .

After the DAC voltage reaches the final VID setting, VR\_RDY will be set to high with the fixed delay TD5. The typical value for TD5 is 85 $\mu\text{s}$ .

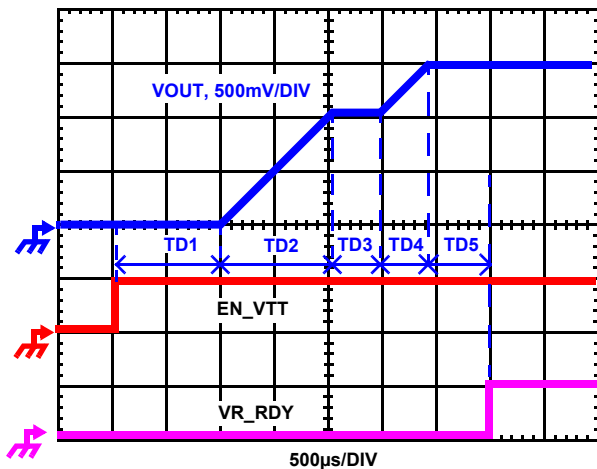


FIGURE 8. SOFT-START WAVEFORMS

## Current Sense Output

The current flowing out of the IOUT pin is equal to the sensed average current inside ISL6326B. In typical application, a resistor is placed from the IOUT pin to GND to generate a voltage, which is proportional to the load current and the resistor value:

$$V_{IOUT} = \frac{R_{IOUT}}{N} \frac{R_X}{R_{ISEN}} I_{LOAD} \quad (\text{EQ. 17})$$

where  $V_{IOUT}$  is the voltage at the IOUT pin,  $R_{IOUT}$  is the resistor between the IOUT pin and GND,  $I_{LOAD}$  is the total output current of the converter,  $R_{ISEN}$  is the sense resistor connected to the ISEN+ pin, N is the active channel number, and  $R_X$  is the DC resistance of the current sense element, either the DCR of the inductor or  $R_{SENSE}$  depending on the sensing method.

The resistor from the IOUT pin to GND should be chosen to ensure that the voltage at the IOUT pin is less than 2V under the maximum load current. If the IOUT pin voltage is higher

than 2V, overcurrent shutdown will be triggered, as described in the *Overcurrent Protection* section.

A small capacitor can be placed between the IOUT pin and GND to reduce the noise impact. If this pin is not used, tie it to GND.

## Fault Monitoring and Protection

The ISL6326B actively monitors output voltage and current to detect fault conditions. Fault monitors trigger protective measures to prevent damage to a microprocessor load. One common power good indicator is provided for linking to external system monitors. The schematic in Figure 9 outlines the interaction between the fault monitors and the VR\_RDY signal.

### VR\_RDY Signal

The VR\_RDY pin is an open-drain logic output to indicate that the soft-start period has completed and the output voltage is within the regulated range. VR\_RDY is pulled low during shutdown and releases high after a successful soft-start and a fixed delay TD5. VR\_RDY will be pulled low when an undervoltage or overvoltage condition is detected, or the controller is disabled by a reset from EN\_PWR, EN\_VTT, POR, or VID OFF-code.

### Undervoltage Detection

The undervoltage threshold is set at 50% of the VID code. When the output voltage at VSEN is below the undervoltage threshold, VR\_RDY is pulled low.

### Overvoltage Protection

Regardless of the VR being enabled or not, the ISL6326B overvoltage protection (OVP) circuit will be active after its POR. The OVP thresholds are different under different operation conditions. When VR is not enabled and during the soft-start intervals TD1, TD2 and TD3, the OVP threshold is 1.275V. Once the controller detects valid VID input, the OVP trip point will be changed to DAC plus 175mV.

Two actions are taken by the ISL6326B to protect the microprocessor load when an overvoltage condition occurs.

At the inception of an overvoltage event, all PWM outputs are commanded low instantly (less than 20ns). This causes the Intersil drivers to turn on the lower MOSFETs and pull the output voltage below a level to avoid damaging the load. When the VDIFF voltage falls below the DAC plus 75mV, PWM signals enter a high-impedance state. The Intersil drivers respond to the high-impedance input by turning off both upper and lower MOSFETs. If the overvoltage condition reoccurs, the ISL6326B will again command the lower MOSFETs to turn on. The ISL6326B will continue to protect the load in this fashion as long as the overvoltage condition occurs.

Once an overvoltage condition is detected, normal PWM operation ceases until the ISL6326B is reset. Cycling the voltage on EN\_PWR, EN\_VTT or VCC below the POR-falling

threshold will reset the controller. Cycling the VID codes will not reset the controller.

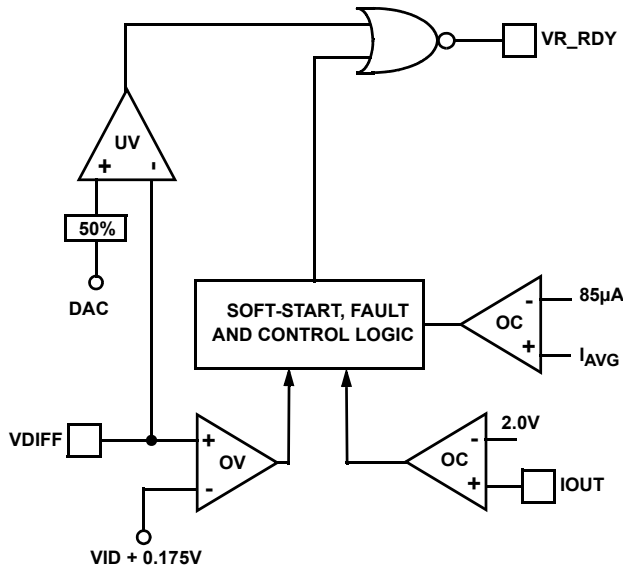


FIGURE 9. VR\_RDY AND PROTECTION CIRCUITRY

### Overcurrent Protection

ISL6326B has two levels of overcurrent protection. Each phase is protected from a sustained overcurrent condition by limiting its peak current, while the combined phase currents are protected on an instantaneous basis.

In instantaneous protection mode, ISL6326B utilizes the sensed average current  $I_{AVG}$  to detect an overcurrent condition. See the *Channel-Current Balance* section for more detail on how the average current is measured. The average current is continually compared with a constant  $85\mu\text{A}$  reference current, as shown in Figure 9. Once the average current exceeds the reference current, a comparator triggers the converter to shutdown.

The current out of IOUT pin is equal to the sensed average current  $I_{AVG}$ . With a resistor from IOUT to GND, the voltage at IOUT will be proportional to the sensed average current and the resistor value. ISL6326B continuously monitors the voltage at IOUT pin. If the voltage at IOUT pin is higher than 2V, a comparator triggers the overcurrent shutdown. By increasing the resistor between IOUT and GND, the overcurrent protection threshold can be adjusted to be less than  $100\mu\text{A}$ . For example, the overcurrent threshold for the sensed average current  $I_{AVG}$  can be set to  $80\mu\text{A}$  by using a  $25\text{k}\Omega$  resistor from IOUT to GND.

At the beginning of overcurrent shutdown, the controller places all PWM signals in a high-impedance state within 20ns, commanding the Intersil MOSFET driver ICs to turn off both upper and lower MOSFETs. The system remains in this state a period of 4096 switching cycles. If the controller is still enabled at the end of this wait period, it will attempt a soft-start. If the

fault remains, the trip-retry cycles will continue indefinitely (as shown in Figure 10) until either controller is disabled or the fault is cleared. Note that the energy delivered during trip-retry cycling is much less than during full-load operation, so there is no thermal hazard during this kind of operation.

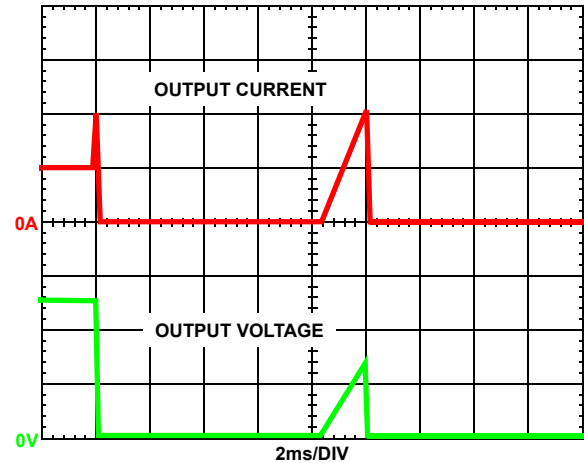


FIGURE 10. OVERCURRENT BEHAVIOR IN HICCUP MODE.  
 $F_{SW} = 500\text{kHz}$

For the individual channel overcurrent protection, the ISL6326B continuously compares the sensed current signal of each channel with the  $120\mu\text{A}$  reference current. If one channel current exceeds the reference current, ISL6326B will pull PWM signal of this channel to low for the rest of the switching cycle. This PWM signal can be turned on next cycle if the sensed channel current is less than the  $120\mu\text{A}$  reference current. The peak current limit of individual channel will not trigger the converter to shutdown.

### Thermal Monitoring (VR\_HOT/VR\_FAN)

There are two thermal signals to indicate the temperature status of the voltage regulator: VR\_HOT and VR\_FAN. Both VR\_FAN and VR\_HOT pins are open-drain outputs, and external pull-up resistors are required. Those signals are valid only after the controller is enabled.

The VR\_FAN signal indicates that the temperature of the voltage regulator is high and more cooling airflow is needed. The VR\_HOT signal can be used to inform the system that the temperature of the voltage regulator is too high and the CPU should reduce its power consumption. The VR\_HOT signal may be tied to the CPU's PROC\_HOT signal.

The diagram of thermal monitoring function block is shown in Figure 11. One NTC resistor should be placed close to the power stage of the voltage regulator to sense the operational temperature, and one pull-up resistor is needed to form the voltage divider for the TM pin. As the temperature of the power stage increases, the resistance of the NTC will reduce, resulting in the reduced voltage at the TM pin. Figure 12 shows

the TM voltage over the temperature for a typical design with a recommended 6.8kΩ NTC (P/N: NTHS0805N02N6801 from Vishay) and 1kΩ resistor RTM1. We recommend using those resistors for the accurate temperature compensation.

There are two comparators with hysteresis to compare the TM pin voltage to the fixed thresholds for VR\_FAN and VR\_HOT signals respectively. The VR\_FAN signal is set to high when the TM voltage is lower than 33% of VCC voltage, and is pulled to GND when the TM voltage increases to above 39% of VCC voltage. The VR\_HOT signal is set to high when the TM voltage goes below 28% of VCC voltage, and is pulled to GND when the TM voltage goes back to above 33% of VCC voltage. Figure 13 shows the operation of those signals.

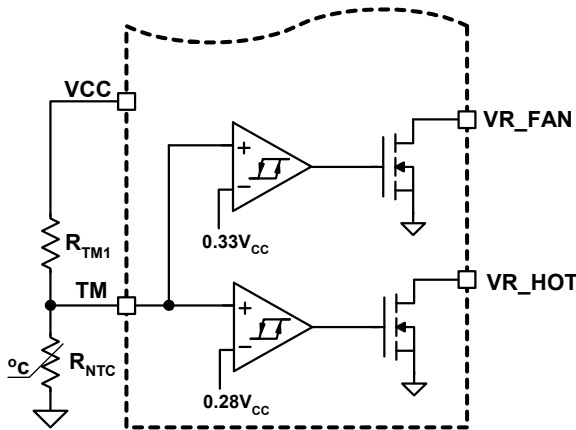


FIGURE 11. BLOCK DIAGRAM OF THERMAL MONITORING FUNCTION

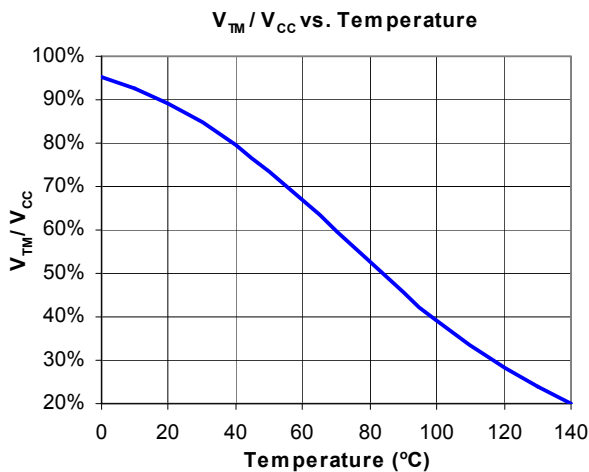


FIGURE 12. THE RATIO OF TM VOLTAGE TO NTC TEMPERATURE WITH RECOMMENDED PARTS

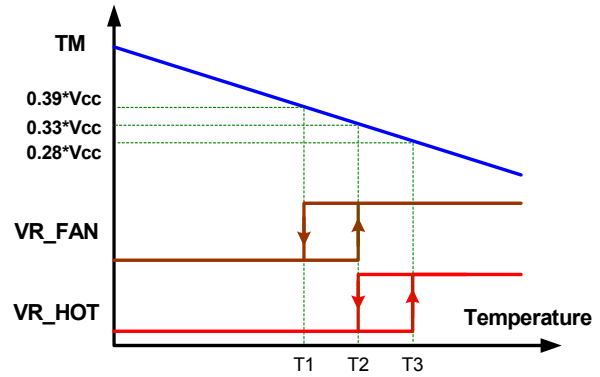


FIGURE 13. VR\_HOT AND VR\_FAN SIGNAL vs TM VOLTAGE

Based on the NTC temperature characteristics and the desired threshold of the VR\_HOT signal, the pull-up resistor RTM1 of TM pin is given by:

$$R_{TM1} = 2.75 \times R_{NTC(T3)} \quad (\text{EQ. 18})$$

R<sub>NTC(T3)</sub> is the NTC resistance at the VR\_HOT threshold temperature T3.

The NTC resistance at the set point T2 and release point T1 of VR\_FAN signal can be calculated as:

$$R_{NTC(T2)} = 1.267 \times R_{NTC(T3)} \quad (\text{EQ. 19})$$

$$R_{NTC(T1)} = 1.644 \times R_{NTC(T3)} \quad (\text{EQ. 20})$$

With the NTC resistance value obtained from Equations 19 and 20, the temperature value T2 and T1 can be found from the NTC datasheet.

### Temperature Compensation

ISL6326B supports inductor DCR sensing, or resistive sensing techniques. The inductor DCR has a positive temperature coefficient, which is about +0.38%/°C. Since the voltage across inductor is sensed for the output current information, the sensed current has the same positive temperature coefficient as the inductor DCR.

In order to obtain the correct current information, there should be a way to correct the temperature impact on the current sense component. ISL6326B provides two methods: integrated temperature compensation and external temperature compensation.

### Integrated Temperature Compensation

When the TCOMP voltage is equal or greater than VCC/15, ISL6326B will utilize the voltage at TM and TCOMP pins to compensate the temperature impact on the sensed current. The block diagram of this function is shown in Figure 14.



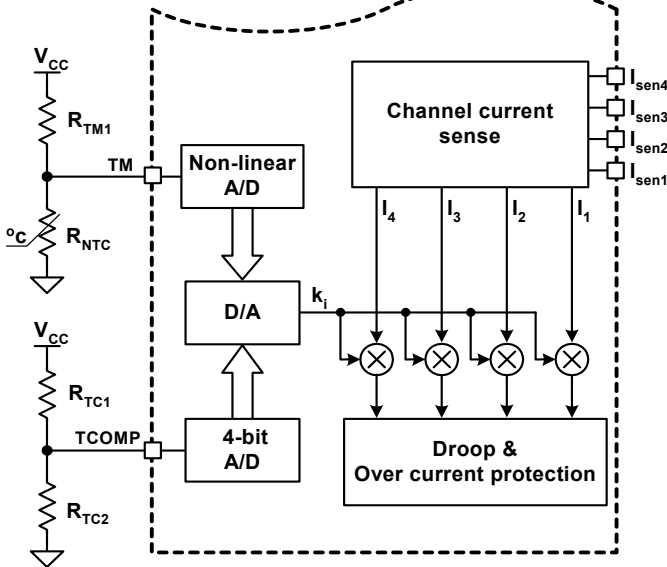


FIGURE 14. BLOCK DIAGRAM OF INTEGRATED TEMPERATURE COMPENSATION

When the TM NTC is placed close to the current sense component (inductor), the temperature of the NTC will track the temperature of the current sense component. Therefore the TM voltage can be utilized to obtain the temperature of the current sense component.

Based on VCC voltage, ISL6326B converts the TM pin voltage to a 6-bit TM digital signal for temperature compensation. With the non-linear A/D converter of ISL6326B, the TM digital signal is linearly proportional to the NTC temperature. For accurate temperature compensation, the ratio of the TM voltage to the NTC temperature of the practical design should be similar to that in Figure 12.

Depending on the location of the NTC and the airflow, the NTC may be cooler or hotter than the current sense component. The TCOMP pin voltage can be utilized to correct the temperature difference between NTC and the current sense component. When a different NTC type or different voltage divider is used for the TM function, the TCOMP voltage can also be used to compensate for the difference between the recommended TM voltage curve in Figure 13 and that of the actual design. According to the VCC voltage, ISL6326B converts the TCOMP pin voltage to a 4-bit TCOMP digital signal as TCOMP factor N.

The TCOMP factor N is an integer between 0 and 15. The integrated temperature compensation function is disabled for N = 0. For N = 4, the NTC temperature is equal to the temperature of the current sense component. For N < 4, the NTC is hotter than the current sense component. The NTC is cooler than the current sense component for N > 4. When N > 4, the larger TCOMP factor N, the larger the difference between the NTC temperature and the temperature of the current sense component.

ISL6326B multiplexes the TCOMP factor N with the TM digital signal to obtain the adjustment gain to compensate the temperature impact on the sensed channel current. The compensated channel current signal is used for droop and overcurrent protection functions.

### Design Procedure

1. Properly choose the voltage divider for the TM pin to match the TM voltage vs temperature curve with the recommended curve in Figure 12.
2. Run the actual board under the full load and the desired cooling condition.
3. After the board reaches the thermal steady state, record the temperature ( $T_{CSC}$ ) of the current sense component (inductor or MOSFET) and the voltage at TM and VCC pins.
4. Use the following equation to calculate the resistance of the TM NTC, and find out the corresponding NTC temperature  $T_{NTC}$  from the NTC datasheet.

$$R_{NTC}(T_{NTC}) = \frac{V_{TM} \times R_{TM1}}{V_{CC} - V_{TM}} \quad (\text{EQ. 21})$$

5. Use the following equation to calculate the TCOMP factor N:

$$N = \frac{209 \times (T_{CSC} - T_{NTC})}{3 \times T_{NTC} + 400} + 4 \quad (\text{EQ. 22})$$

6. Choose an integral number close to the above result for the TCOMP factor. If this factor is higher than 15, use N = 15. If it is less than 1, use N = 1.
7. Choose the pull-up resistor  $R_{TC1}$  (typical 10k $\Omega$ );
8. If N = 15, do not need the pull-down resistor  $R_{TC2}$ , otherwise obtain  $R_{TC2}$  by the following equation:

$$R_{TC2} = \frac{N \times R_{TC1}}{15 - N} \quad (\text{EQ. 23})$$

9. Run the actual board under full load again with the proper resistors connected to the TCOMP pin.
10. Record the output voltage as V1 immediately after the output voltage is stable with the full load. Record the output voltage as V2 after the VR reaches the thermal steady state.
11. If the output voltage increases over 2mV as the temperature increases, i.e.  $V2 - V1 > 2\text{mV}$ , reduce N and redesign  $R_{TC2}$ ; if the output voltage decreases over 2mV as the temperature increases, i.e.  $V1 - V2 > 2\text{mV}$ , increase N and redesign  $R_{TC2}$ .

### External Temperature Compensation

By pulling the TCOMP pin to GND, the integrated temperature compensation function is disabled. And one external temperature compensation network, shown in Figure 15, can be used to cancel the temperature impact on the droop (i.e., load line).

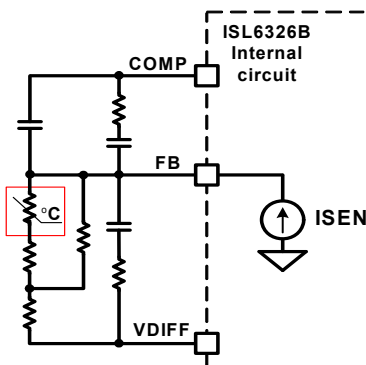


FIGURE 15. EXTERNAL TEMPERATURE COMPENSATION

The sensed current will flow out of the FB pin and develop a droop voltage across the resistor equivalent ( $R_{FB}$ ) between the FB and VDIFF pins. If  $R_{FB}$  resistance reduces as the temperature increases, the temperature impact on the droop can be compensated. An NTC resistor can be placed close to the power stage and used to form  $R_{FB}$ . Due to the non-linear temperature characteristics of the NTC, a resistor network is needed to make the equivalent resistance between the FB and VDIFF pins reverse proportional to the temperature.

The external temperature compensation network can only compensate the temperature impact on the droop, while it has no impact to the sensed current inside ISL6326B. Therefore, this network cannot compensate for the temperature impact on the overcurrent protection function.

## General Design Guide

This design guide is intended to provide a high-level explanation of the steps necessary to create a multiphase power converter. It is assumed that the reader is familiar with many of the basic skills and techniques referenced below. In addition to this guide, Intersil provides complete reference designs that include schematics, bills of materials, and example board layouts for all common microprocessor applications.

## Power Stages

The first step in designing a multiphase converter is to determine the number of phases. This determination depends heavily on the cost analysis which in turn depends on system constraints that differ from one design to the next. Principally, the designer will be concerned with whether components can be mounted on both sides of the circuit board; whether through-hole components are permitted; and the total board space available for power-supply circuitry. Generally speaking, the most economical solutions are those in which each phase handles between 15 and 20A. All surface-mount designs will tend toward the lower end of this current range. If through-hole MOSFETs and inductors can be used, higher per-phase currents are possible. In cases where board space is the limiting constraint, current can be pushed as high as 40A per phase, but these designs require heat sinks and forced air to cool the MOSFETs, inductors and heat-dissipating surfaces.

## MOSFETs

The choice of MOSFETs depends on the current each MOSFET will be required to conduct; the switching frequency; the capability of the MOSFETs to dissipate heat; and the availability and nature of heat sinking and air flow.

## LOWER MOSFET POWER CALCULATION

The calculation for heat dissipated in the lower MOSFET is simple, since virtually all of the heat loss in the lower MOSFET is due to current conducted through the channel resistance ( $R_{DS(ON)}$ ). In Equation 24,  $I_M$  is the maximum continuous output current;  $I_{PP}$  is the peak-to-peak inductor current (see Equation 1);  $d$  is the duty cycle ( $V_{OUT}/V_{IN}$ ); and  $L$  is the per-channel inductance.

$$P_{LOW,1} = r_{DS(ON)} \left[ \left( \frac{I_M}{N} \right)^2 (1-d) + \frac{I_{L,PP}^2 (1-d)}{12} \right] \quad (\text{EQ. 24})$$

An additional term can be added to the lower-MOSFET loss equation to account for additional loss accrued during the dead time when inductor current is flowing through the lower-MOSFET body diode. This term is dependent on the diode forward voltage at  $I_M$ ,  $V_{D(ON)}$ ; the switching frequency,  $f_S$ ; and the length of dead times,  $t_{d1}$  and  $t_{d2}$ , at the beginning and the end of the lower-MOSFET conduction interval respectively.

$$P_{LOW,2} = V_{D(ON)} f_S \left[ \left( \frac{I_M + I_{PP}}{N} \right) t_{d1} + \left( \frac{I_M - I_{PP}}{N} \right) t_{d2} \right] \quad (\text{EQ. 25})$$

Thus the total maximum power dissipated in each lower MOSFET is approximated by the summation of  $P_{LOW,1}$  and  $P_{LOW,2}$ .

## Upper MOSFET Power Calculation

In addition to  $R_{DS(ON)}$  losses, a large portion of the upper-MOSFET losses are due to currents conducted across the input voltage ( $V_{IN}$ ) during switching. Since a substantially higher portion of the upper-MOSFET losses are dependent on switching frequency, the power calculation is more complex. Upper MOSFET losses can be divided into separate components involving the upper-MOSFET switching times; the lower-MOSFET body-diode reverse-recovery charge,  $Q_{rr}$ ; and the upper MOSFET  $R_{DS(ON)}$  conduction loss.

When the upper MOSFET turns off, the lower MOSFET does not conduct any portion of the inductor current until the voltage at the phase node falls below ground. Once the lower MOSFET begins conducting, the current in the upper MOSFET falls to zero as the current in the lower MOSFET ramps up to assume the full inductor current. In Equation 26, the required time for this commutation is  $t_1$  and the approximated associated power loss is  $P_{UP,1}$ .

$$P_{UP,1} \approx V_{IN} \left( \frac{I_M}{N} + \frac{I_{PP}}{2} \right) \left( \frac{t_1}{2} \right) f_S \quad (\text{EQ. 26})$$



At turn on, the upper MOSFET begins to conduct and this transition occurs over a time  $t_2$ . In Equation 27, the approximate power loss is  $P_{UP,2}$ .

$$P_{UP,2} \approx V_{IN} \left( \frac{I_M}{N} - \frac{I_{PP}}{2} \right) \left( \frac{t_2}{2} \right) f_S \quad (\text{EQ. 27})$$

A third component involves the lower MOSFET's reverse-recovery charge,  $Q_{rr}$ . Since the inductor current has fully commutated to the upper MOSFET before the lower-MOSFET's body diode can draw all of  $Q_{rr}$ , it is conducted through the upper MOSFET across  $V_{IN}$ . The power dissipated as a result is  $P_{UP,3}$  and is approximately

$$P_{UP,3} = V_{IN} Q_{rr} f_S \quad (\text{EQ. 28})$$

Finally, the resistive part of the upper MOSFET's is given in Equation 29 as  $P_{UP,4}$ .

The total power dissipated by the upper MOSFET at full load can now be approximated as the summation of the results from Equations 26, 27, and 28. Since the power equations depend on MOSFET parameters, choosing the correct MOSFETs can be an iterative process involving repetitive solutions to the loss equations for different MOSFETs and different switching frequencies.

$$P_{UP,4} \approx r_{DS(ON)} \left[ \left( \frac{I_M}{N} \right)^2 d + \frac{I_{PP}^2}{12} d \right] \quad (\text{EQ. 29})$$

### Current Sensing Resistor

The resistors connected to the ISEN+ pins determine the gains in the load-line regulation loop and the channel-current balance loop as well as setting the overcurrent trip point. Select values for these resistors by the following equation:

$$R_{ISEN} = \frac{R_X}{85 \times 10^{-6}} \frac{I_{OCP}}{N} \quad (\text{EQ. 30})$$

where  $R_{ISEN}$  is the sense resistor connected to the ISEN+ pin,  $N$  is the active channel number,  $R_X$  is the resistance of the current sense element, either the DCR of the inductor or  $R_{SENSE}$  depending on the sensing method, and  $I_{OCP}$  is the desired overcurrent trip point. Typically,  $I_{OCP}$  can be chosen to be 1.3 times the maximum load current of the specific application.

With integrated temperature compensation, the sensed current signal is independent on the operational temperature of the power stage, i.e. the temperature effect on the current sense element  $R_X$  is cancelled by the integrated temperature compensation function.  $R_X$  in Equation 30 should be the resistance of the current sense element at the room temperature.

When the integrated temperature compensation function is disabled by pulling the TCOMP pin to GND, the sensed current will be dependent on the operational temperature of the power stage, since the DC resistance of the current sense element

may be changed according to the operational temperature.  $R_X$  in Equation 30 should be the maximum DC resistance of the current sense element at the all operational temperature.

In certain circumstances, it may be necessary to adjust the value of one or more ISEN resistors. When the components of one or more channels are inhibited from effectively dissipating their heat so that the affected channels run hotter than desired, choose new, smaller values of  $R_{ISEN}$  for the affected phases (see the section entitled *Channel-Current Balance*). Choose  $R_{ISEN,2}$  in proportion to the desired decrease in temperature rise in order to cause proportionally less current to flow in the hotter phase:

$$R_{ISEN,2} = R_{ISEN} \frac{\Delta T_2}{\Delta T_1} \quad (\text{EQ. 31})$$

In Equation 31, make sure that  $\Delta T_2$  is the desired temperature rise above the ambient temperature, and  $\Delta T_1$  is the measured temperature rise above the ambient temperature. While a single adjustment according to Equation 31 is usually sufficient, it may occasionally be necessary to adjust  $R_{ISEN}$  two or more times to achieve optimal thermal balance between all channels.

### Load-Line Regulation Resistor

The load-line regulation resistor is labelled  $R_{FB}$  in Figure 5. Its value depends on the desired loadline requirement of the application.

The desired loadline can be calculated by the following equation:

$$R_{LL} = \frac{V_{DROOP}}{I_{FL}} \quad (\text{EQ. 32})$$

where  $I_{FL}$  is the full load current of the specific application, and  $V_{DROOP}$  is the desired voltage droop under the full load condition.

Based on the desired loadline  $R_{LL}$ , the loadline regulation resistor can be calculated by the following equation:

$$R_{FB} = \frac{N R_{ISEN} R_{LL}}{R_X} \quad (\text{EQ. 33})$$

where  $N$  is the active channel number,  $R_{ISEN}$  is the sense resistor connected to the ISEN+ pin, and  $R_X$  is the resistance of the current sense element, either the DCR of the inductor or  $R_{SENSE}$  depending on the sensing method.

If one or more of the current sense resistors are adjusted for thermal balance, as in Equation 31, the load-line regulation resistor should be selected based on the average value of the current sensing resistors, as given in the following equation:

$$R_{FB} = \frac{R_{LL}}{R_X} \sum_n R_{ISEN(n)} \quad (\text{EQ. 34})$$

where  $R_{ISEN(n)}$  is the current sensing resistor connected to the  $n^{\text{th}}$  ISEN+ pin.

## Compensation

The two opposing goals of compensating the voltage regulator are stability and speed. Depending on whether the regulator employs the optional load-line regulation as described in Load-Line Regulation, there are two distinct methods for achieving these goals.

### COMPENSATING LOAD-LINE REGULATED CONVERTER

The load-line regulated converter behaves in a similar manner to a peak-current mode controller because the two poles at the output-filter L-C resonant frequency split with the introduction of current information into the control loop. The final location of these poles is determined by the system function, the gain of the current signal, and the value of the compensation components,  $R_C$  and  $C_C$ .

Since the system poles and zero are affected by the values of the components that are meant to compensate them, the solution to the system equation becomes fairly complicated. Fortunately there is a simple approximation that comes very close to an optimal solution. Treating the system as though it were a voltage-mode regulator by compensating the L-C poles and the ESR zero of the voltage-mode approximation yields a solution that is always stable with very close to ideal transient performance.

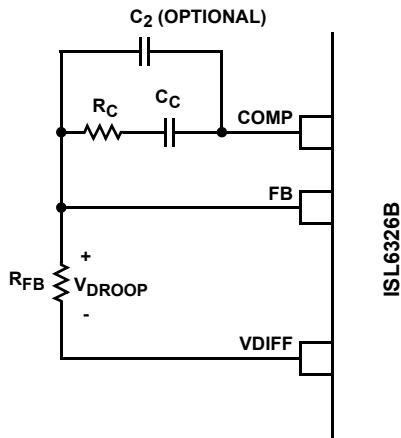


FIGURE 16. COMPENSATION CONFIGURATION FOR LOAD-LINE REGULATED ISL6326B CIRCUIT

The feedback resistor,  $R_{FB}$ , has already been chosen as outlined in *Load-Line Regulation Resistor*. Select a target bandwidth for the compensated system,  $f_0$ . The target bandwidth must be large enough to assure adequate transient performance, but smaller than 1/3 of the per-channel switching frequency. The values of the compensation components depend on the relationships of  $f_0$  to the L-C pole frequency and the ESR zero frequency. For each of the three cases which

follow, there is a separate set of equations for the compensation components.

$$\begin{aligned}
 \text{Case 1: } & \frac{1}{2\pi\sqrt{LC}} > f_0 \\
 & R_C = R_{FB} \frac{2\pi f_0 V_{PP} \sqrt{LC}}{0.75 V_{IN}} \\
 & C_C = \frac{0.75 V_{IN}}{2\pi V_{PP} R_{FB} f_0} \\
 \\
 \text{Case 2: } & \frac{1}{2\pi\sqrt{LC}} \leq f_0 < \frac{1}{2\pi C(ESR)} \\
 & R_C = R_{FB} \frac{V_{PP}(2\pi)^2 f_0^2 LC}{0.75 V_{IN}} \quad (\text{EQ. 35}) \\
 & C_C = \frac{0.75 V_{IN}}{(2\pi)^2 f_0^2 V_{PP} R_{FB} \sqrt{LC}} \\
 \\
 \text{Case 3: } & f_0 > \frac{1}{2\pi C(ESR)} \\
 & R_C = R_{FB} \frac{2\pi f_0 V_{PP} L}{0.75 V_{IN}(ESR)} \\
 & C_C = \frac{0.75 V_{IN}(ESR) \sqrt{C}}{2\pi V_{PP} R_{FB} f_0 \sqrt{L}}
 \end{aligned}$$

In Equation 35,  $L$  is the per-channel filter inductance divided by the number of active channels;  $C$  is the sum total of all output capacitors;  $ESR$  is the equivalent-series resistance of the bulk output-filter capacitance; and  $V_{PP}$  is the sawtooth amplitude described in *Electrical Specifications*.

The optional capacitor  $C_2$ , is sometimes needed to bypass noise away from the PWM comparator. Keep a position available for  $C_2$ , and be prepared to install a high-frequency capacitor of between 22pF and 150pF in case any leading-edge jitter problem is noted.

Once selected, the compensation values in Equation 35 assure a stable converter with reasonable transient performance. In most cases, transient performance can be improved by making adjustments to  $R_C$ . Slowly increase the value of  $R_C$  while observing the transient performance on an oscilloscope until no further improvement is noted. Normally,  $C_C$  will not need adjustment. Keep the value of  $C_C$  from Equation 35 unless some performance issue is noted.

### Output Filter Design

The output inductors and the output capacitor bank together to form a low-pass filter responsible for smoothing the pulsating voltage at the phase nodes. The output filter also must provide the transient energy until the regulator can respond. Because it has a low bandwidth compared to the switching frequency, the output filter necessarily limits the system transient response. The output capacitor must supply or sink load current while the current in the output inductors increases or decreases to meet the demand.

In high-speed converters, the output capacitor bank is usually the most costly (and often the largest) part of the circuit. Output filter design begins with minimizing the cost of this part of the circuit. The critical load parameters in choosing the output capacitors are the maximum size of the load step,  $\Delta I$ ; the load-current slew rate,  $di/dt$ ; and the maximum allowable output-voltage deviation under transient loading,  $\Delta V_{MAX}$ . Capacitors are characterized according to their capacitance, ESR, and ESL (equivalent series inductance).

At the beginning of the load transient, the output capacitors supply all of the transient current. The output voltage will initially deviate by an amount approximated by the voltage drop across the ESL. As the load current increases, the voltage drop across the ESR increases linearly until the load current reaches its final value. The capacitors selected must have sufficiently low ESL and ESR so that the total output-voltage deviation is less than the allowable maximum. Neglecting the contribution of inductor current and regulator response, the output voltage initially deviates by an amount:

$$\Delta V \approx (ESL) \frac{di}{dt} + (ESR) \Delta I \quad (\text{EQ. 36})$$

The filter capacitor must have sufficiently low ESL and ESR so that  $\Delta V < \Delta V_{MAX}$ .

Most capacitor solutions rely on a mixture of high-frequency capacitors with relatively low capacitance in combination with bulk capacitors having high capacitance but limited high-frequency performance. Minimizing the ESL of the high-frequency capacitors allows them to support the output voltage as the current increases. Minimizing the ESR of the bulk capacitors allows them to supply the increased current with less output voltage deviation.

The ESR of the bulk capacitors also creates the majority of the output-voltage ripple. As the bulk capacitors sink and source the inductor AC ripple current (see *Interleaving* and Equation 2), a voltage develops across the bulk-capacitor ESR equal to  $I_{C,PP}(ESR)$ . Thus, once the output capacitors are selected, the maximum allowable ripple voltage,  $V_{PP(MAX)}$ , determines the lower limit on the inductance.

$$L \geq (ESR) \frac{(V_{IN} - NV_{OUT}) V_{OUT}}{f_S V_{IN} V_{PP(MAX)}} \quad (\text{EQ. 37})$$

Since the capacitors are supplying a decreasing portion of the load current while the regulator recovers from the transient, the capacitor voltage becomes slightly depleted. The output inductors must be capable of assuming the entire load current before the output voltage decreases more than  $\Delta V_{MAX}$ . This places an upper limit on inductance.

Equation 38 gives the upper limit on L for the cases when the trailing edge of the current transient causes a greater output-voltage deviation than the leading edge. Equation 39 addresses the leading edge. Normally, the trailing edge dictates the selection of L because duty cycles are usually less

than 50%. Nevertheless, both inequalities should be evaluated, and L should be selected based on the lower of the two results. In each equation, L is the per-channel inductance, C is the total output capacitance, and N is the number of active channels.

$$L \leq \frac{2NCV_O}{(\Delta I)^2} [\Delta V_{MAX} - \Delta I(ESR)] \quad (\text{EQ. 38})$$

$$L \leq \frac{(1.25)NC}{(\Delta I)^2} [\Delta V_{MAX} - \Delta I(ESR)] (V_{IN} - V_O) \quad (\text{EQ. 39})$$

### Input Supply Voltage Selection

The VCC input of the ISL6326B can be connected either directly to a +5V supply or through a current limiting resistor to a +12V supply. An integrated 5.8V shunt regulator maintains the voltage on the VCC pin when a +12V supply is used. A 300 $\Omega$  resistor is suggested for limiting the current into the VCC pin to a worst-case maximum of approximately 25mA.

### Switching Frequency Selection

There are a number of variables to consider when choosing the switching frequency, as there are considerable effects on the upper-MOSFET loss calculation. These effects are outlined in *MOSFETs*, and they establish the upper limit for the switching frequency. The lower limit is established by the requirement for fast transient response and small output-voltage ripple as outlined in *Output Filter Design*. Choose the lowest switching frequency that allows the regulator to meet the transient-response requirements.

### Input Capacitor Selection

The input capacitors are responsible for sourcing the AC component of the input current flowing into the upper MOSFETs. Their RMS current capacity must be sufficient to handle the AC component of the current drawn by the upper MOSFETs which is related to duty cycle and the number of active phases.

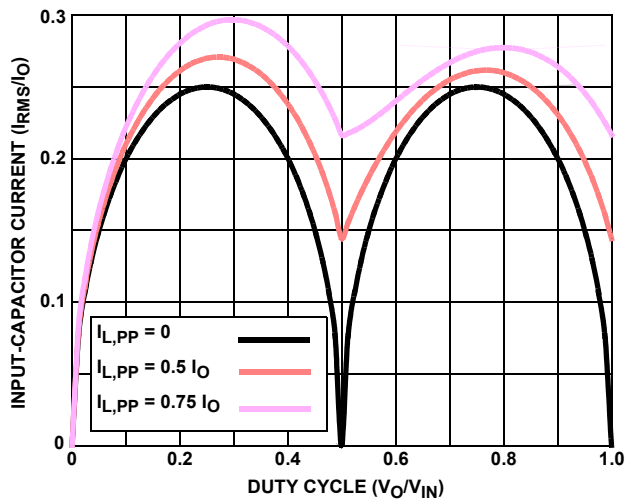


FIGURE 17. NORMALIZED INPUT-CAPACITOR RMS CURRENT vs DUTY CYCLE FOR 2-PHASE CONVERTER

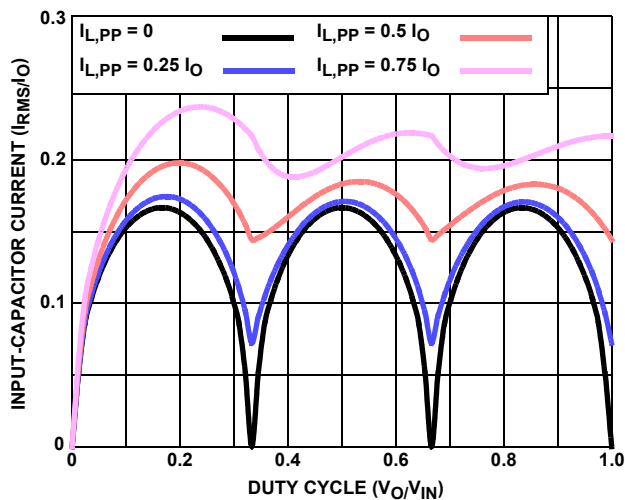


FIGURE 18. NORMALIZED INPUT-CAPACITOR RMS CURRENT vs DUTY CYCLE FOR 3-PHASE CONVERTER

For a two phase design, use Figure 17 to determine the input-capacitor RMS current requirement given the duty cycle, maximum sustained output current ( $I_O$ ), and the ratio of the per-phase peak-to-peak inductor current ( $I_{L,PP}$ ) to  $I_O$ . Select a bulk capacitor with a ripple current rating which will minimize the total number of input capacitors required to support the RMS current calculated. The voltage rating of the capacitors should also be at least 1.25 times greater than the maximum input voltage.

Figures 18 and 19 provide the same input RMS current information for three and four phase designs respectively. Use the same approach to selecting the bulk capacitor type and number as described above.

Low capacitance, high-frequency ceramic capacitors are needed in addition to the bulk capacitors to suppress leading and falling edge voltage spikes. The result from the high

current slew rates produced by the upper MOSFETs turn on and off. Select low ESL ceramic capacitors and place one as close as possible to each upper MOSFET drain to minimize board parasitic impedances and maximize suppression.

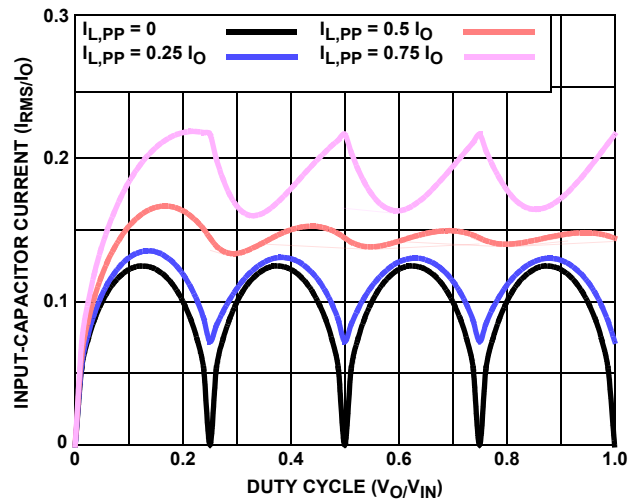
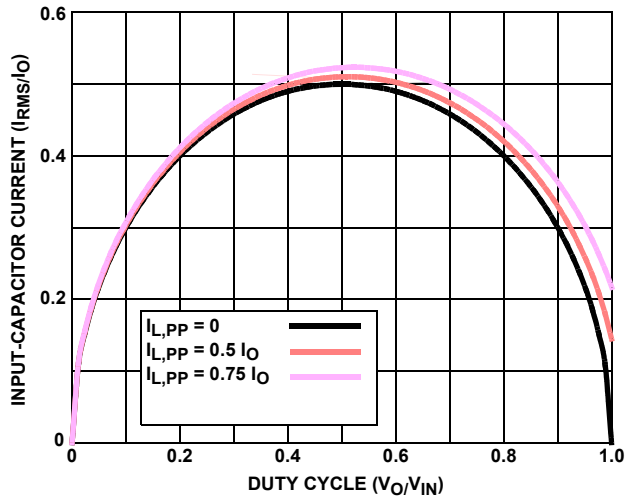


FIGURE 19. NORMALIZED INPUT-CAPACITOR RMS CURRENT vs DUTY CYCLE FOR 4-PHASE CONVERTER

#### MULTIPHASE RMS IMPROVEMENT

Figure 20 is provided as a reference to demonstrate the dramatic reductions in input-capacitor RMS current upon the implementation of the multiphase topology. For example, compare the input RMS current requirements of a two-phase converter versus that of a single phase. Assume both converters have a duty cycle of 0.25, maximum sustained output current of 40A, and a ratio of  $I_{L,PP}$  to  $I_O$  of 0.5. The single phase converter would require 17.3Arms current capacity while the two-phase converter would only require 10.9Arms. The advantages become even more pronounced when output current is increased and additional phases are added to keep the component cost down relative to the single phase approach.



**FIGURE 20. NORMALIZED INPUT-CAPACITOR RMS CURRENT vs DUTY CYCLE FOR SINGLE-PHASE CONVERTER**

## Layout Considerations

The following layout strategies are intended to minimize the impact of board parasitic impedances on converter performance and to optimize the heat-dissipating capabilities of the printed-circuit board. These sections highlight some important practices which should not be overlooked during the layout process.

### Component Placement

Within the allotted implementation area, orient the switching components first. The switching components are the most critical because they carry large amounts of energy and tend to generate high levels of noise. Switching component placement should take into account power dissipation. Align the output inductors and MOSFETs such that space between the components is minimized while creating the PHASE plane. Place the Intersil MOSFET driver IC as close as possible to the MOSFETs they control to reduce the parasitic impedances due to trace length between critical driver input and output signals. If possible, duplicate the same placement of these components for each phase.

Next, place the input and output capacitors. Position one high-frequency ceramic input capacitor next to each upper MOSFET drain. Place the bulk input capacitors as close to the upper MOSFET drains as dictated by the component size and dimensions. Long distances between input capacitors and MOSFET drains result in too much trace inductance and a reduction in capacitor performance. Locate the output capacitors between the inductors and the load, while keeping them in close proximity to the microprocessor socket.

© Copyright Intersil Americas LLC 2006. All Rights Reserved.

All trademarks and registered trademarks are the property of their respective owners.

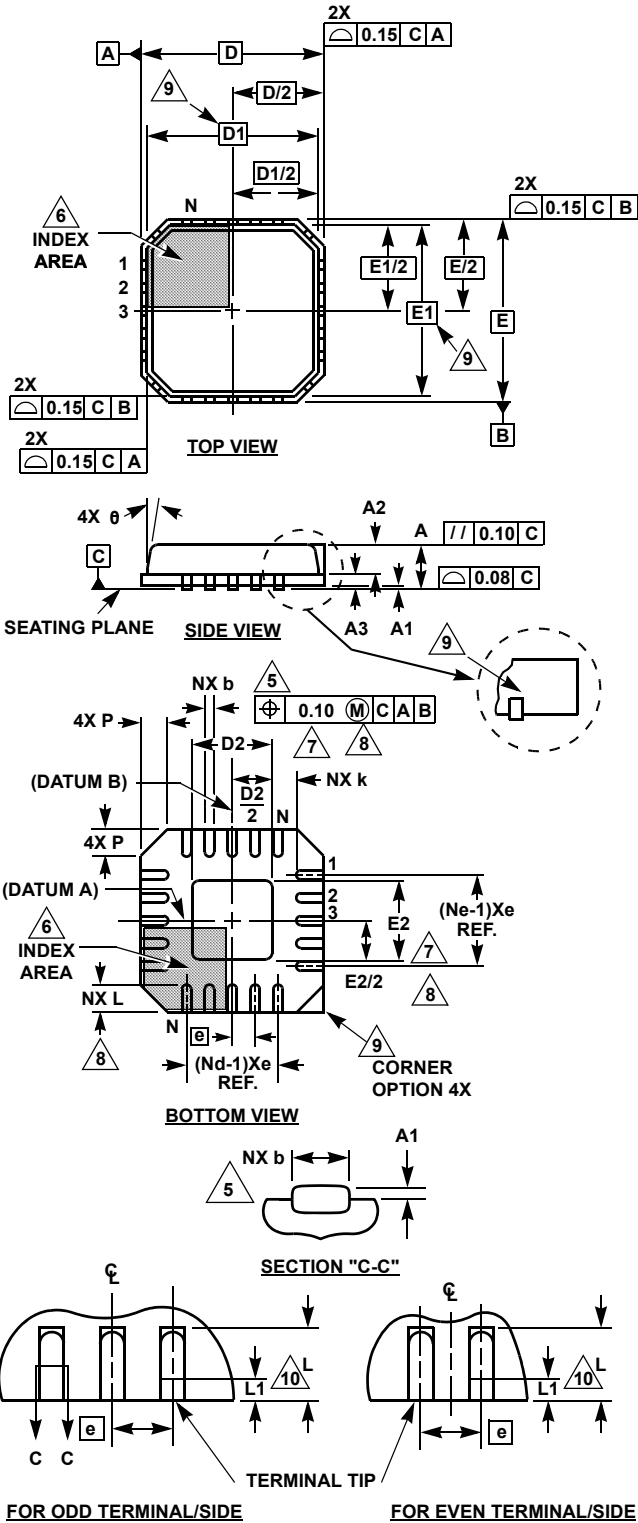
For additional products, see [www.intersil.com/en/products.html](http://www.intersil.com/en/products.html)

Intersil products are manufactured, assembled and tested utilizing ISO9001 quality systems as noted in the quality certifications found at [www.intersil.com/en/support/qualandreliability.html](http://www.intersil.com/en/support/qualandreliability.html)

*Intersil products are sold by description only. Intersil may modify the circuit design and/or specifications of products at any time without notice, provided that such modification does not, in Intersil's sole judgment, affect the form, fit or function of the product. Accordingly, the reader is cautioned to verify that datasheets are current before placing orders. Information furnished by Intersil is believed to be accurate and reliable. However, no responsibility is assumed by Intersil or its subsidiaries for its use; nor for any infringements of patents or other rights of third parties which may result from its use. No license is granted by implication or otherwise under any patent or patent rights of Intersil or its subsidiaries.*

For information regarding Intersil Corporation and its products, see [www.intersil.com](http://www.intersil.com)

**Quad Flat No-Lead Plastic Package (QFN)  
Micro Lead Frame Plastic Package (MLFP)**



**L40.6x6**

40 LEAD QUAD FLAT NO-LEAD PLASTIC PACKAGE  
(COMPLIANT TO JEDEC MO-220VJJD-2 ISSUE C)

| SYMBOL   | MILLIMETERS |         |      | NOTES |
|----------|-------------|---------|------|-------|
|          | MIN         | NOMINAL | MAX  |       |
| A        | 0.80        | 0.90    | 1.00 | -     |
| A1       | -           | -       | 0.05 | -     |
| A2       | -           | -       | 1.00 | 9     |
| A3       | 0.20 REF    |         |      | 9     |
| b        | 0.18        | 0.23    | 0.30 | 5, 8  |
| D        | 6.00 BSC    |         |      | -     |
| D1       | 5.75 BSC    |         |      | 9     |
| D2       | 3.95        | 4.10    | 4.25 | 7, 8  |
| E        | 6.00 BSC    |         |      | -     |
| E1       | 5.75 BSC    |         |      | 9     |
| E2       | 3.95        | 4.10    | 4.25 | 7, 8  |
| e        | 0.50 BSC    |         |      | -     |
| k        | 0.25        | -       | -    | -     |
| L        | 0.30        | 0.40    | 0.50 | 8     |
| L1       | -           | -       | 0.15 | 10    |
| N        | 40          |         |      | 2     |
| Nd       | 10          |         |      | 3     |
| Ne       | 10          |         |      | 3     |
| P        | -           | -       | 0.60 | 9     |
| $\theta$ | -           | -       | 12   | 9     |

Rev. 1 10/02

NOTES:

1. Dimensioning and tolerancing conform to ASME Y14.5-1994.
2. N is the number of terminals.
3. Nd and Ne refer to the number of terminals on each D and E.
4. All dimensions are in millimeters. Angles are in degrees.
5. Dimension b applies to the metallized terminal and is measured between 0.15mm and 0.30mm from the terminal tip.
6. The configuration of the pin #1 identifier is optional, but must be located within the zone indicated. The pin #1 identifier may be either a mold or mark feature.
7. Dimensions D2 and E2 are for the exposed pads which provide improved electrical and thermal performance.
8. Nominal dimensions are provided to assist with PCB Land Pattern Design efforts, see Intersil Technical Brief TB389.
9. Features and dimensions A2, A3, D1, E1, P &  $\theta$  are present when Anvil singulation method is used and not present for saw singulation.
10. Depending on the method of lead termination at the edge of the package, a maximum 0.15mm pull back (L1) maybe present. L minus L1 to be equal to or greater than 0.3mm.