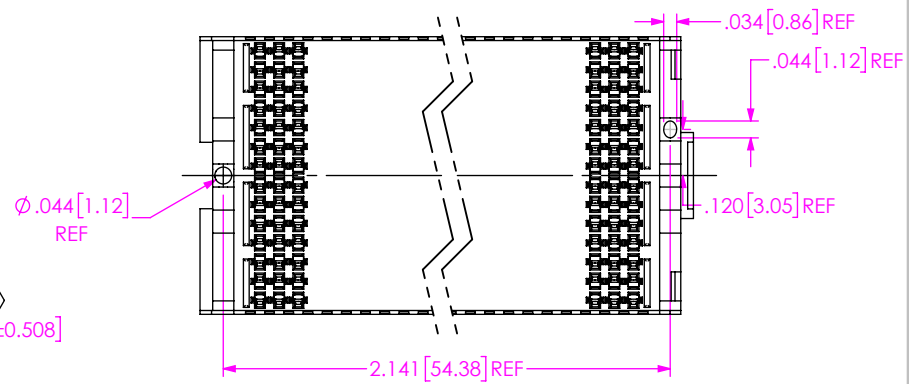
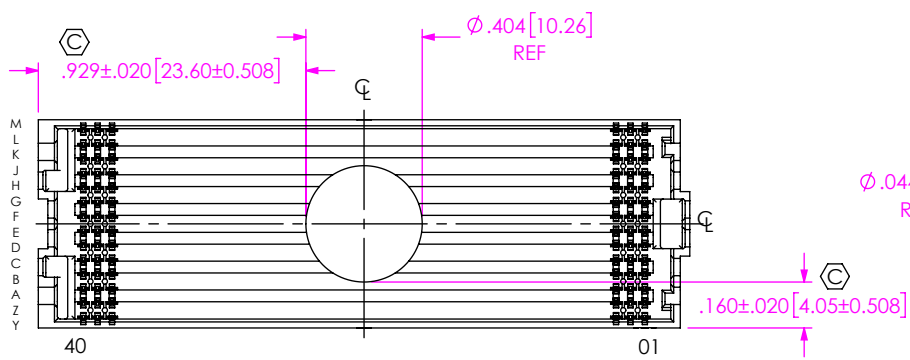
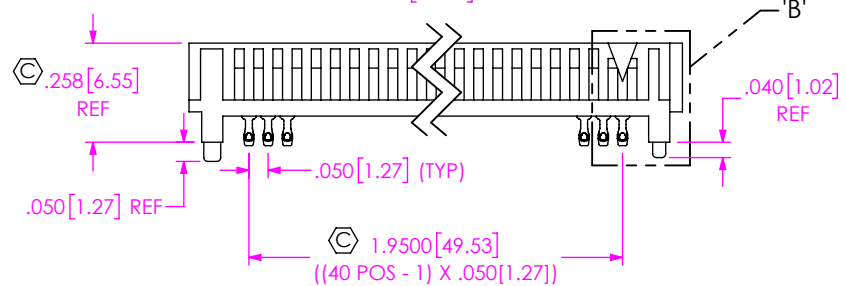
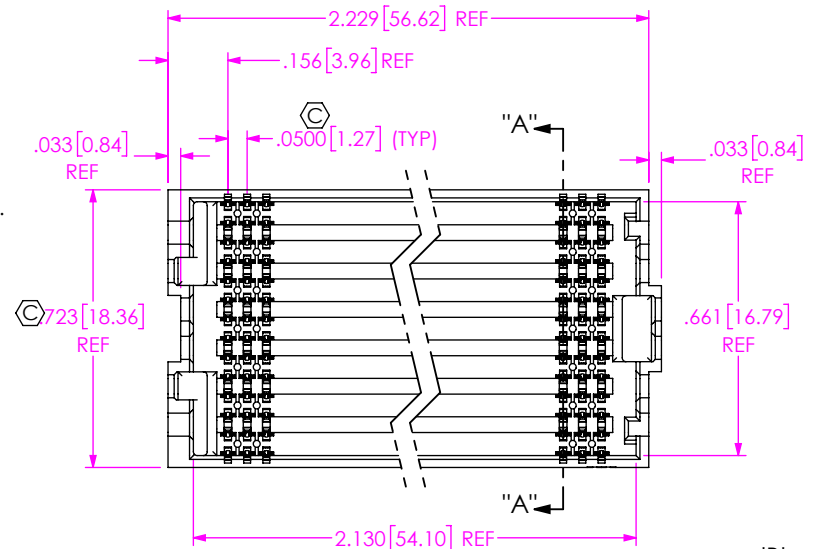
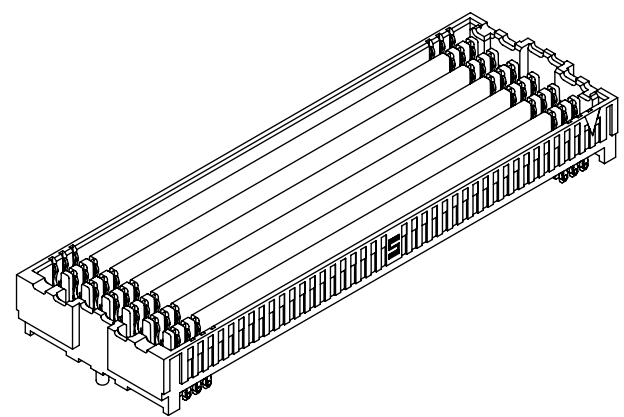


DO NOT SCALE FROM THIS PRINT

- NOTES:
1. VITA 57.4 CONNECTOR.
  2. Ⓢ REPRESENTS A CRITICAL DIMENSION.
  3. MINIMUM PUSHOUT FORCE: 0.50 LBS.
  4. NOTE DELETED
  5. NOTE DELETED
  6. NOTE DELETED
  7. ATTACH LABEL "SEAX-0001" TO EACH TAPE & REEL PACKAGE.
  8. NOTE DELETED
  9. NOTE DELETED
  10. MEASURED FIRST & LAST POSITIONS ONLY, ALL ROWS.
  11. NON-FUNCTIONAL VOIDING IN PLASTIC BODY TO BE AT SAMTEC'S DISCRETION.
  12. PART TO BE PACKAGED IN TAPE AND REEL.

ANY REV MADE TO THIS PRINT MUST HAVE AN UPDATED MKT PRINT

**pb** THIS PRODUCT MANUFACTURED WITH LEAD-FREE PROCESSING



PAD & VITA 57.4 DETAIL

UNLESS OTHERWISE SPECIFIED, DIMENSIONS ARE IN INCHES.  
 TOLERANCES ARE:  
 DECIMALS ANGLES  
 .XX: ±.01 [0.3] 2°  
 .XXX: ±.005 [0.13]  
 .XXXX: ±.0020 [0.051]

PROPRIETARY NOTE  
 THIS DOCUMENT CONTAINS CONFIDENTIAL AND PROPRIETARY INFORMATION AND ALL DESIGN, MANUFACTURING, REPRODUCTION, USE, PATENT RIGHTS AND SALES RIGHTS ARE EXPRESSLY RESERVED BY SAMTEC, INC. THIS DOCUMENT SHALL NOT BE DISCLOSED, IN WHOLE OR PART, TO ANY UNAUTHORIZED PERSON OR ENTITY NOR REPRODUCED, TRANSFERRED OR INCORPORATED IN ANY OTHER PROJECT IN ANY MANNER WITHOUT THE EXPRESS WRITTEN CONSENT OF SAMTEC, INC.



520 PARK EAST BLVD, NEW ALBANY, IN 47150  
 PHONE: 812-944-6733 FAX: 812-948-5047  
 e-Mail: info@SAMTEC.com code 55322

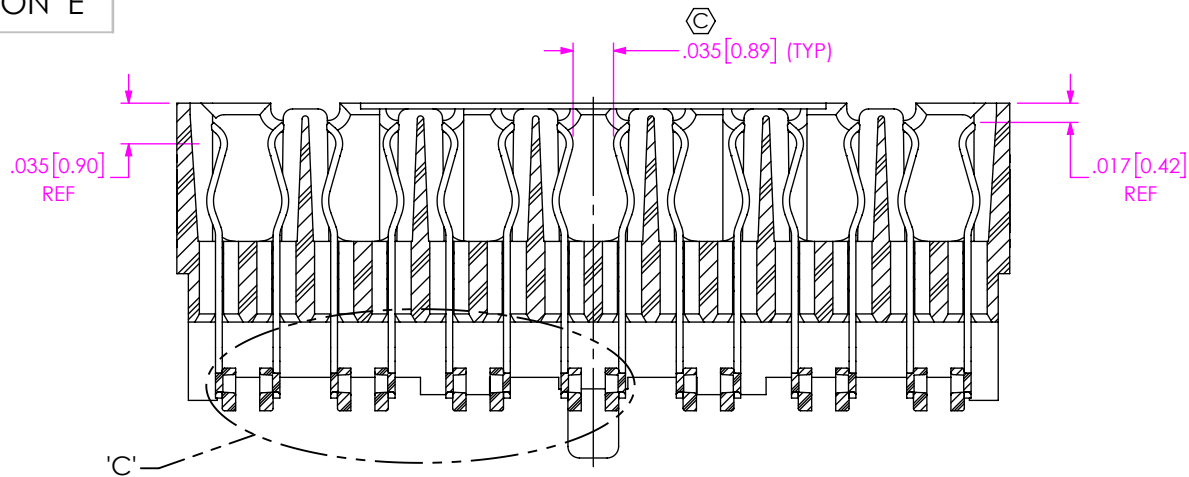
DO NOT SCALE DRAWING SHEET SCALE: 2:1

DESCRIPTION:  
 14 ROW .050 PITCH SOCKET ARRAY ASSM.

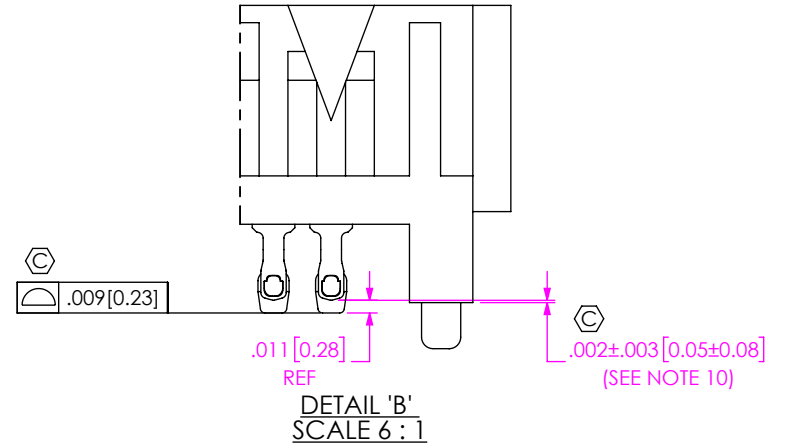
DWG. NO. ASP-184329-01

BY: A ZAMORA 11/18/2014 SHEET 1 OF 4

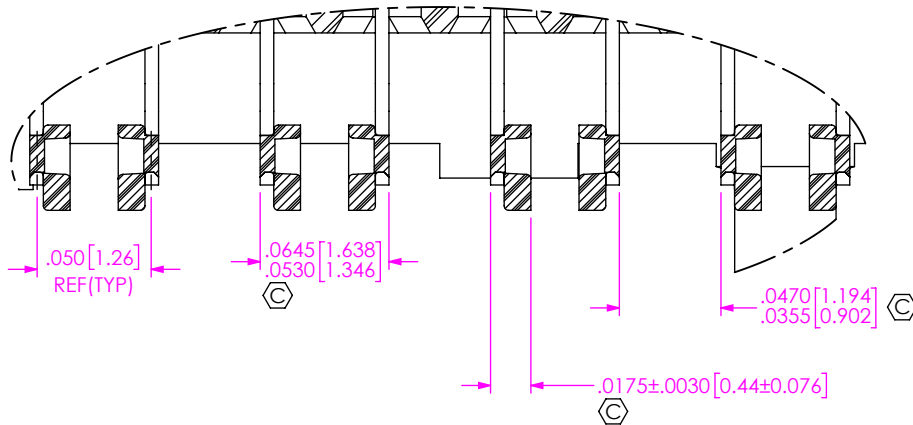
ITEM NO.	PART NUMBER	QUANTITY	MATERIAL
1	SEAF-40-06.5-14-A	1.0000	VECTRA E135i, COLOR: BLACK
2	NEW-SUB-C-209-06.5-S-2	560.00	BRUSH ALLOY 390 HT/LEAD FREE SOLDER Ⓢ
3	K-DOT-.404-.500-.005	1.0000	POLYIMIDE FILM
4	CT-SEAF133MS	.00667	CONDUCTIVE POLYMER



SECTION "A"-"A"  
SCALE 6 : 1



DETAIL 'B'  
SCALE 6 : 1



DETAIL 'C'  
SCALE 12 : 1

**PROPRIETARY NOTE**  
THIS DOCUMENT CONTAINS CONFIDENTIAL AND PROPRIETARY INFORMATION AND ALL DESIGN, MANUFACTURING, REPRODUCTION, USE, PATENT RIGHTS AND SALES RIGHTS ARE EXPRESSLY RESERVED BY SAMTEC, INC. THIS DOCUMENT SHALL NOT BE DISCLOSED, IN WHOLE OR PART, TO ANY UNAUTHORIZED PERSON OR ENTITY NOR REPRODUCED, TRANSFERRED OR INCORPORATED IN ANY OTHER PROJECT IN ANY MANNER WITHOUT THE EXPRESS WRITTEN CONSENT OF SAMTEC, INC.

DO NOT SCALE DRAWING

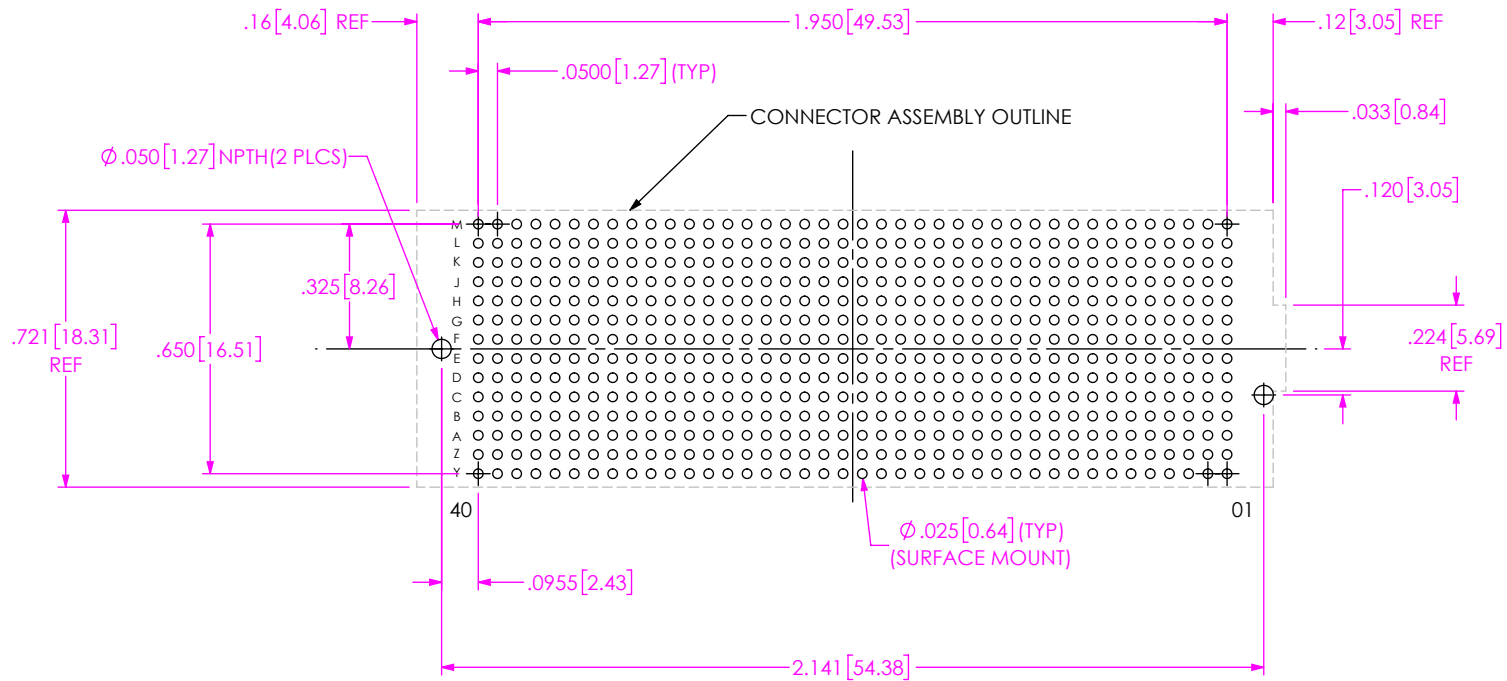
SHEET SCALE: 2:1

**samtec**

520 PARK EAST BLVD. NEW ALBANY, IN 47150  
PHONE: 812-944-6733 FAX: 812-948-5047  
e-Mail info@SAMTEC.com code 55322

DESCRIPTION:  
14 ROW .050 PITCH SOCKET ARRAY ASSM.

DWG. NO.  
ASP-184329-01



RECOMMENDED PCB LAYOUT



RECOMMENDED STENCIL LAYOUT  
 ALL DIMENSIONS ARE SYMMETRIC ABOUT THE CENTERLINE  
 STENCIL TO BE .0060 [0.157] THICK

**PROPRIETARY NOTE**  
 THIS DOCUMENT CONTAINS CONFIDENTIAL AND PROPRIETARY INFORMATION AND ALL DESIGN, MANUFACTURING, REPRODUCTION, USE, PATENT RIGHTS AND SALES RIGHTS ARE EXPRESSLY RESERVED BY SAMTEC, INC. THIS DOCUMENT SHALL NOT BE DISCLOSED, IN WHOLE OR PART, TO ANY UNAUTHORIZED PERSON OR ENTITY NOR REPRODUCED, TRANSFERRED OR INCORPORATED IN ANY OTHER PROJECT IN ANY MANNER WITHOUT THE EXPRESS WRITTEN CONSENT OF SAMTEC, INC.

DO NOT SCALE DRAWING

SHEET SCALE: 2:1

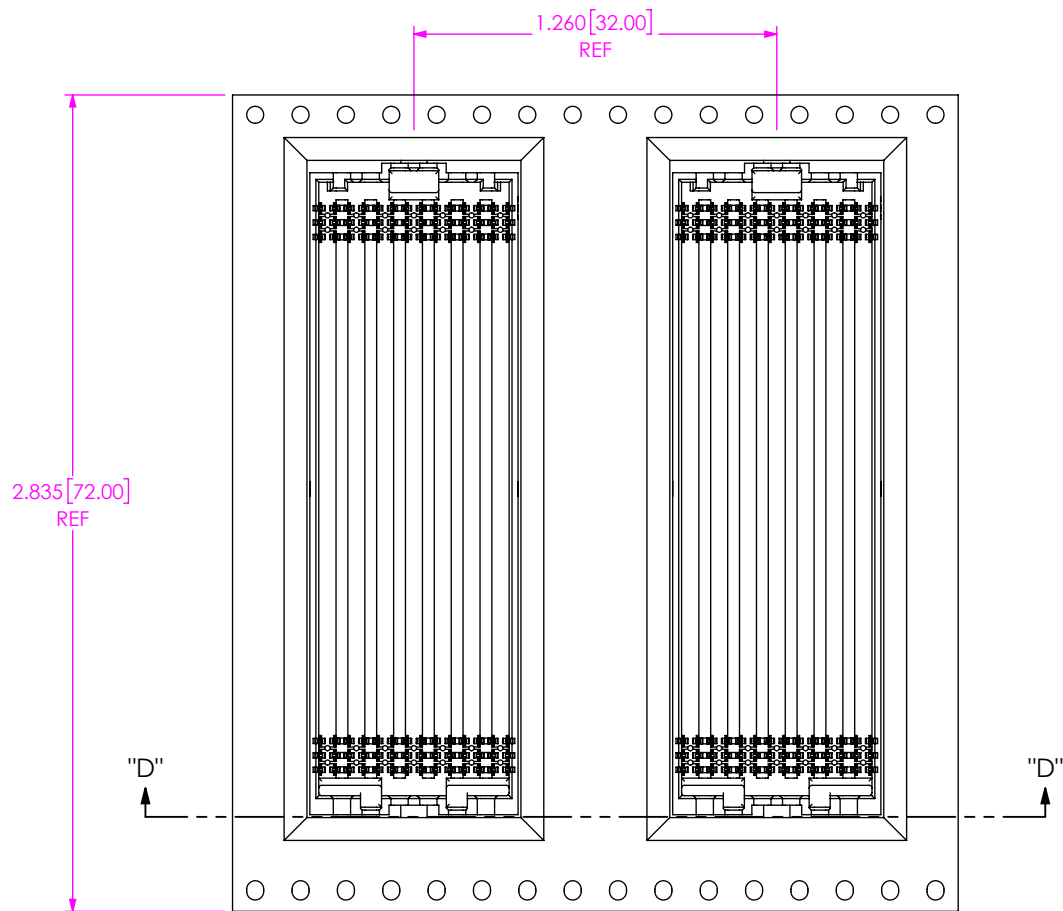


520 PARK EAST BLVD, NEW ALBANY, IN 47150  
 PHONE: 812-944-6733 FAX: 812-948-5047  
 e-Mail info@SAMTEC.com code 55322

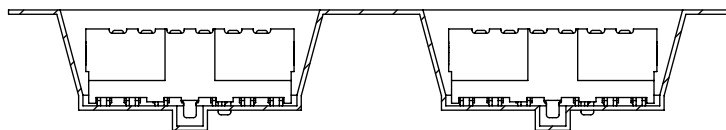
DESCRIPTION:  
 14 ROW .050 PITCH SOCKET ARRAY ASSM.

DWG. NO.  
 ASP-184329-01

BY: A ZAMORA 11/18/2014 SHEET 3 OF 4



USER DIRECTION OF UN-REELING →  
POCKET NOT DETAILED



SECTION "D"-"D"  
PACKAGING VIEW

PROPRIETARY NOTE

THIS DOCUMENT CONTAINS CONFIDENTIAL AND PROPRIETARY INFORMATION AND ALL DESIGN, MANUFACTURING, REPRODUCTION, USE, PATENT RIGHTS AND SALES RIGHTS ARE EXPRESSLY RESERVED BY SAMTEC, INC. THIS DOCUMENT SHALL NOT BE DISCLOSED, IN WHOLE OR PART, TO ANY UNAUTHORIZED PERSON OR ENTITY NOR REPRODUCED, TRANSFERRED OR INCORPORATED IN ANY OTHER PROJECT IN ANY MANNER WITHOUT THE EXPRESS WRITTEN CONSENT OF SAMTEC, INC.



520 PARK EAST BLVD, NEW ALBANY, IN 47150  
PHONE: 812-944-6733 FAX: 812-948-5047  
e-Mail info@SAMTEC.com code 55322

SHEET SCALE: 2:1

DESCRIPTION:  
14 ROW .050 PITCH SOCKET ARRAY ASSM.

DWG. NO.  
ASP-184329-01