

## Ultra-low-power Arm<sup>®</sup> Cortex<sup>®</sup>-M33 32-bit MCU+TrustZone<sup>®</sup>+FPU, 165DMIPS, up to 512KB Flash, 256KB SRAM, SMPS, AES+PKA

Datasheet - production data

### Features

#### Ultra-low-power with FlexPowerControl

- 1.71 V to 3.6 V power supply
- -40 °C to 85/125 °C temperature range
- Batch acquisition mode (BAM)
- 187 nA in VBAT mode: supply for RTC and 32x32-bit backup registers
- 17 nA Shutdown mode (5 wakeup pins)
- 108 nA Standby mode (5 wakeup pins)
- 222 nA Standby mode with RTC
- 3.16 µA Stop 2 with RTC
- 106 µA/MHz Run mode (LDO mode)
- 62 µA/MHz Run mode @ 3 V (SMPS step-down converter mode)
- 5 µs wakeup from Stop mode
- Brownout reset (BOR) in all modes except Shutdown

#### Core

- Arm<sup>®</sup> 32-bit Cortex<sup>®</sup>-M33 CPU with TrustZone<sup>®</sup> and FPU

#### ART Accelerator

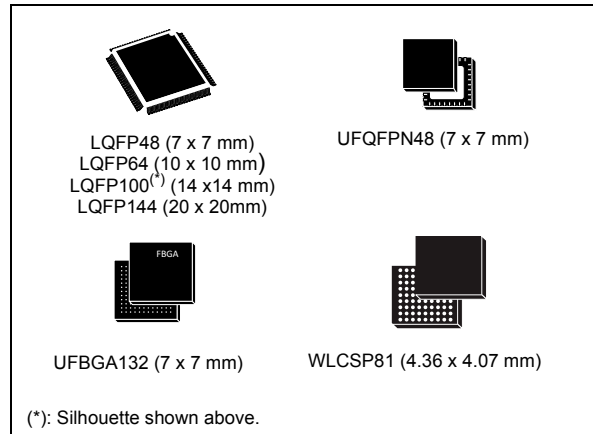
- 8-Kbyte instruction cache allowing 0-wait-state execution from Flash memory and external memories; frequency up to 110 MHz, MPU, 165 DMIPS and DSP instructions

#### Performance benchmark

- 1.5 DMIPS/MHz (Drystone 2.1)
- 442 CoreMark<sup>®</sup> (4.02 CoreMark<sup>®</sup>/MHz)

#### Energy benchmark

- 370 ULPMark-CP<sup>®</sup> score
- 54 ULPMark-PP<sup>®</sup> score
- 27400 SecureMark-TLS<sup>®</sup> score



#### Memories

- Up to 512-Kbyte Flash, two banks read-while-write
- 256 Kbytes of SRAM including 64 Kbytes with hardware parity check
- External memory interface supporting SRAM, PSRAM, NOR, NAND and FRAM memories
- OCTOSPI memory interface

#### Security

- Arm<sup>®</sup> TrustZone<sup>®</sup> and securable I/Os, memories and peripherals
- Flexible life cycle scheme with RDP (readout protection)
- Root of trust thanks to unique boot entry and hide protection area (HDP)
- SFI (secure firmware installation) thanks to embedded RSS (root secure services)
- Secure firmware upgrade support with TF-M
- AES coprocessor
- Public key accelerator
- On-the-fly decryption of Octo-SPI external memories
- HASH hardware accelerator

- Active tamper and protection against temperature, voltage and frequency attacks
- True random number generator NIST SP800-90B compliant
- 96-bit unique ID
- 512-byte OTP (one-time programmable) for user data

### General-purpose input/outputs

- Up to 114 fast I/Os with interrupt capability most 5 V-tolerant and up to 14 I/Os with independent supply down to 1.08 V

### Power management

- Embedded regulator (LDO) with three configurable range output to supply the digital circuitry
- Embedded SMPS step-down converter
- External SMPS support

### Clock management

- 4 to 48 MHz crystal oscillator
- 32 kHz crystal oscillator for RTC (LSE)
- Internal 16 MHz factory-trimmed RC ( $\pm 1\%$ )
- Internal low-power 32 kHz RC ( $\pm 5\%$ )
- Internal multispeed 100 kHz to 48 MHz oscillator, auto-trimmed by LSE (better than  $\pm 0.25\%$  accuracy)
- Internal 48 MHz with clock recovery
- 3 PLLs for system clock, USB, audio, ADC

### Up to 16 timers and 2 watchdogs

- 16x timers: 2 x 16-bit advanced motor-control, 2 x 32-bit and 5 x 16-bit general purpose, 2x 16-bit basic, 3x low-power 16-bit timers (available in Stop mode), 2x watchdogs, 2x SysTick timer
- RTC with hardware calendar, alarms and calibration

### Up to 19 communication peripherals

- 1x USB Type-C™/ USB power delivery controller
- 1x USB 2.0 full-speed crystal less solution, LPM and BCD
- 2x SAs (serial audio interface)
- 4x I2C FM+(1 Mbit/s), SMBus/PMBus™
- 6x USARTs (ISO 7816, LIN, IrDA, modem)
- 3x SPIs (7x SPIs with USART and OCTOSPI in SPI mode)
- 1x FDCAN controller
- 1x SDMMC interface

### 2 DMA controllers

- 14 DMA channels

### Up to 22 capacitive sensing channels

- Support touch key, linear and rotary touch sensors

### Rich analog peripherals (independent supply)

- 2x 12-bit ADC 5 Msps, up to 16-bit with hardware oversampling, 200  $\mu$ A/Msps
- 2x 12-bit DAC outputs, low-power sample and hold
- 2x operational amplifiers with built-in PGA
- 2x ultra-low-power comparators
- 4x digital filters for sigma delta modulator

### CRC calculation unit

### Debug

- Development support: serial wire debug (SWD), JTAG, Embedded Trace Macrocell™ (ETM)

**Table 1. Device summary**

| Reference   | Part numbers   |
|-------------|--|
| STM32L562xx | STM32L562CE, STM32L562ME, STM32L562QE, STM32L562RE, STM32L562VE, STM32L562ZE |

# Contents

|          |   |           |
|----------|---|-----------|
| <b>1</b> | <b>Introduction</b> .....                           | <b>14</b> |
| <b>2</b> | <b>Description</b> .....                            | <b>15</b> |
| <b>3</b> | <b>Functional overview</b> .....                    | <b>20</b> |
| 3.1      | Arm® Cortex®-M33 core with TrustZone® and FPU ..... | 20        |
| 3.2      | Art Accelerator – instruction cache (ICACHE) .....  | 20        |
| 3.3      | Memory protection unit .....                        | 21        |
| 3.4      | Embedded Flash memory .....                         | 22        |
| 3.5      | Embedded SRAM .....                                 | 23        |
| 3.6      | Boot modes .....                                    | 23        |
| 3.7      | Global TrustZone controller (GTZC) .....            | 26        |
| 3.8      | TrustZone security architecture .....               | 27        |
| 3.8.1    | TrustZone peripheral classification .....           | 28        |
| 3.9      | Power supply management .....                       | 32        |
| 3.9.1    | Power supply schemes .....                          | 32        |
| 3.9.2    | Power supply supervisor .....                       | 37        |
| 3.9.3    | Voltage regulator .....                             | 37        |
| 3.9.4    | SMPS step down converter .....                      | 38        |
| 3.9.5    | Low-power modes .....                               | 40        |
| 3.9.6    | Reset mode .....                                    | 47        |
| 3.9.7    | VBAT operation .....                                | 48        |
| 3.9.8    | PWR TrustZone security .....                        | 48        |
| 3.10     | Peripheral interconnect matrix .....                | 48        |
| 3.11     | Reset and clock controller (RCC) .....              | 50        |
| 3.12     | Clock recovery system (CRS) .....                   | 53        |
| 3.13     | General-purpose inputs/outputs (GPIOs) .....        | 53        |
| 3.14     | Multi-AHB bus matrix .....                          | 54        |
| 3.15     | Direct memory access controller (DMA) .....         | 55        |
| 3.16     | DMA request router (DMAMUX) .....                   | 56        |
| 3.17     | Interrupts and events .....                         | 57        |
| 3.17.1   | Nested vectored interrupt controller (NVIC) .....   | 57        |

|        |  |    |
|--------|--|----|
| 3.17.2 | Extended interrupt/event controller (EXTI)                           | 57 |
| 3.18   | Cyclic redundancy check calculation unit (CRC)                       | 58 |
| 3.19   | Flexible static memory controller (FSMC)                             | 58 |
| 3.20   | Octo-SPI interface (OCTOSPI)   | 59 |
| 3.21   | Analog-to-digital converter (ADC)                                    | 61 |
| 3.21.1 | Temperature sensor   | 61 |
| 3.21.2 | Internal voltage reference (VREFINT)                                 | 62 |
| 3.21.3 | VBAT battery voltage monitoring                                      | 62 |
| 3.22   | Digital to analog converter (DAC)                                    | 63 |
| 3.23   | Voltage reference buffer (VREFBUF)                                   | 63 |
| 3.24   | Comparators (COMP)   | 64 |
| 3.25   | Operational amplifier (OPAMP)  | 64 |
| 3.26   | Digital filter for sigma-delta modulators (DFSDM)                    | 64 |
| 3.27   | Touch sensing controller (TSC)                                       | 66 |
| 3.28   | True random number generator (RNG)                                   | 67 |
| 3.29   | Advanced encryption standard hardware accelerator (AES)              | 67 |
| 3.30   | HASH hardware accelerator (HASH)                                     | 68 |
| 3.31   | Public key accelerator PKA   | 68 |
| 3.32   | On-the-fly decryption engine (OTFDEC)                                | 68 |
| 3.33   | Timers and watchdogs   | 69 |
| 3.33.1 | Advanced-control timer (TIM1, TIM8)                                  | 70 |
| 3.33.2 | General-purpose timers (TIM2, TIM3, TIM4, TIM5, TIM15, TIM16, TIM17) | 71 |
| 3.33.3 | Basic timers (TIM6 and TIM7)   | 71 |
| 3.33.4 | Low-power timers (LPTIM1, LPTIM2 and LPTIM3)                         | 71 |
| 3.33.5 | Independent watchdog (IWDG)  | 72 |
| 3.33.6 | Window watchdog (WWDG)   | 72 |
| 3.33.7 | SysTick timer  | 72 |
| 3.34   | Real-time clock (RTC)  | 73 |
| 3.35   | Tamper and backup registers (TAMP)                                   | 73 |
| 3.36   | Inter-integrated circuit interface (I <sup>2</sup> C)                | 75 |
| 3.37   | Universal synchronous/asynchronous receiver transmitter (USART)      | 76 |
| 3.38   | Low-power universal asynchronous receiver transmitter (LPUART)       | 77 |
| 3.39   | Serial peripheral interface (SPI)                                    | 77 |
| 3.40   | Serial audio interfaces (SAI)  | 77 |

|          |  |            |
|----------|--|------------|
| 3.41     | Secure digital input/output and MultiMediaCards Interface (SDMMC) . . .            | 78         |
| 3.42     | Controller area network (FDCAN) . . . . .  | 79         |
| 3.43     | Universal serial bus (USB FS) . . . . .  | 79         |
| 3.44     | USB Type-C™ / USB Power Delivery controller (UCPD) . . . . .                       | 79         |
| 3.45     | Development support . . . . .  | 80         |
| 3.45.1   | Serial wire JTAG debug port (SWJ-DP) . . . . .                                     | 80         |
| 3.45.2   | Embedded Trace Macrocell™ . . . . .  | 80         |
| <b>4</b> | <b>Pinouts and pin description . . . . .</b>                                       | <b>81</b>  |
| <b>5</b> | <b>Electrical characteristics . . . . .</b>  | <b>140</b> |
| 5.1      | Parameter conditions . . . . .   | 140        |
| 5.1.1    | Minimum and maximum values . . . . .   | 140        |
| 5.1.2    | Typical values . . . . .   | 140        |
| 5.1.3    | Typical curves . . . . .   | 140        |
| 5.1.4    | Loading capacitor . . . . .  | 140        |
| 5.1.5    | Pin input voltage . . . . .  | 140        |
| 5.1.6    | Power supply scheme . . . . .  | 141        |
| 5.1.7    | Current consumption measurement . . . . .  | 144        |
| 5.2      | Absolute maximum ratings . . . . .   | 144        |
| 5.3      | Operating conditions . . . . .   | 146        |
| 5.3.1    | General operating conditions . . . . .   | 146        |
| 5.3.2    | SMPS step-down converter . . . . .   | 148        |
| 5.3.3    | Operating conditions at power-up / power-down . . . . .                            | 150        |
| 5.3.4    | Embedded reset and power control block characteristics . . . . .                   | 150        |
| 5.3.5    | Embedded voltage reference . . . . .   | 152        |
| 5.3.6    | Supply current characteristics . . . . .   | 154        |
| 5.3.7    | Wakeup time from low-power modes and voltage scaling<br>transition times . . . . . | 213        |
| 5.3.8    | External clock source characteristics . . . . .                                    | 215        |
| 5.3.9    | Internal clock source characteristics . . . . .                                    | 220        |
| 5.3.10   | PLL characteristics . . . . .  | 227        |
| 5.3.11   | Flash memory characteristics . . . . .   | 228        |
| 5.3.12   | EMC characteristics . . . . .  | 229        |
| 5.3.13   | Electrical sensitivity characteristics . . . . .                                   | 230        |
| 5.3.14   | I/O current injection characteristics . . . . .                                    | 231        |
| 5.3.15   | I/O port characteristics . . . . .   | 232        |

|          |  |            |
|----------|--|------------|
| 5.3.16   | NRST pin characteristics   | 238        |
| 5.3.17   | Extended interrupt and event controller input (EXTI) characteristics | 239        |
| 5.3.18   | Analog switches booster  | 240        |
| 5.3.19   | Analog-to-digital converter characteristics                          | 241        |
| 5.3.20   | Digital-to-Analog converter characteristics                          | 254        |
| 5.3.21   | Voltage reference buffer characteristics                             | 259        |
| 5.3.22   | Comparator characteristics   | 262        |
| 5.3.23   | Operational amplifiers characteristics                               | 263        |
| 5.3.24   | Temperature sensor characteristics                                   | 267        |
| 5.3.25   | V <sub>BAT</sub> monitoring characteristics                          | 267        |
| 5.3.26   | Temperature and VDD thresholds monitoring                            | 268        |
| 5.3.27   | DFSDM characteristics  | 268        |
| 5.3.28   | Timer characteristics  | 270        |
| 5.3.29   | Communication interfaces characteristics                             | 272        |
| 5.3.30   | FSMC characteristics   | 281        |
| 5.3.31   | OCTOSPI characteristics  | 300        |
| 5.3.32   | SD/SDIO/MMC card host interfaces (SDMMC)                             | 306        |
| 5.3.33   | UCPD characteristics   | 309        |
| <b>6</b> | <b>Package information</b>   | <b>310</b> |
| 6.1      | LQFP48 package information   | 310        |
| 6.2      | UFQFPN48 package information   | 313        |
| 6.3      | LQFP64 package information   | 316        |
| 6.4      | WLCSP81 package information  | 319        |
| 6.5      | LQFP100 package information  | 322        |
| 6.6      | UFBGA132 package information   | 325        |
| 6.7      | LQFP144 package information  | 328        |
| 6.8      | Thermal characteristics  | 332        |
| 6.8.1    | Reference document   | 333        |
| 6.8.2    | Selecting the product temperature range                              | 333        |
| <b>7</b> | <b>Ordering information</b>  | <b>336</b> |
| <b>8</b> | <b>Revision history</b>  | <b>337</b> |

# List of tables

|           |  |     |
|-----------|--|-----|
| Table 1.  | Device summary . . . . .   | 2   |
| Table 2.  | STM32L562xx features and peripheral counts . . . . .   | 16  |
| Table 3.  | Boot modes when TrustZone is disabled (TZEN=0) . . . . .   | 24  |
| Table 4.  | Boot modes when TrustZone is enabled (TZEN=1) . . . . .  | 25  |
| Table 5.  | Boot space versus RDP protection . . . . .   | 25  |
| Table 6.  | Example of memory map security attribution vs SAU configuration regions . . . . .  | 27  |
| Table 7.  | Securable peripherals by TZSC . . . . .  | 28  |
| Table 8.  | TrustZone-aware peripherals . . . . .  | 30  |
| Table 9.  | SMPS external components . . . . .   | 39  |
| Table 10. | STM32L562xx modes overview . . . . .   | 40  |
| Table 11. | Functionalities depending on the working mode. . . . .   | 45  |
| Table 12. | STM32L562xx peripherals interconnect matrix . . . . .  | 49  |
| Table 13. | DMA1 and DMA2 implementation . . . . .   | 55  |
| Table 14. | Temperature sensor calibration values. . . . .   | 62  |
| Table 15. | Internal voltage reference calibration values . . . . .  | 62  |
| Table 16. | Timer feature comparison. . . . .  | 69  |
| Table 17. | I2C implementation. . . . .  | 75  |
| Table 18. | USART/UART/LPUART features . . . . .   | 76  |
| Table 19. | SAI implementation. . . . .  | 78  |
| Table 20. | Legend/abbreviations used in the pinout table . . . . .  | 90  |
| Table 21. | STM32L562xx pin definitions . . . . .  | 91  |
| Table 22. | Alternate function AF0 to AF7. . . . .   | 124 |
| Table 23. | Alternate function AF8 to AF15. . . . .  | 132 |
| Table 24. | Voltage characteristics . . . . .  | 144 |
| Table 25. | Current characteristics . . . . .  | 145 |
| Table 26. | Thermal characteristics. . . . .   | 146 |
| Table 27. | General operating conditions . . . . .   | 146 |
| Table 28. | SMPS modes summary . . . . .   | 149 |
| Table 29. | SMPS characteristics . . . . .   | 149 |
| Table 30. | Operating conditions at power-up / power-down . . . . .  | 150 |
| Table 31. | Embedded reset and power control block characteristics. . . . .  | 150 |
| Table 32. | Embedded internal voltage reference. . . . .   | 152 |
| Table 33. | Current consumption in Run and Low-power run modes, code with data processing<br>running from Flash in single Bank, ICACHE ON in 2-way . . . . .   | 155 |
| Table 34. | Current consumption in Run and Low-power run modes, code with data processing<br>running from Flash in single Bank, ICACHE ON in 1-way . . . . .   | 156 |
| Table 35. | Current consumption in Run and Low-power run modes, code with data processing<br>running from Flash in single Bank, ICACHE disabled. . . . .   | 157 |
| Table 36. | Current consumption in Run mode, code with data processing<br>running from Flash in single bank, ICACHE ON in 2-way and power<br>supplied by internal SMPS step down converter . . . . . | 158 |
| Table 37. | Current consumption in Run mode, code with data processing<br>running from Flash in single bank, ICACHE ON in 1-way and power<br>supplied by internal SMPS step down converter . . . . . | 159 |
| Table 38. | Current consumption in Run mode, code with data processing<br>running from Flash in single bank, ICACHE disabled and power<br>supplied by internal SMPS step down converter . . . . .    | 160 |
| Table 39. | Current consumption in Run and Low-power run modes, code with data processing  |     |



|           |  |     |
|-----------|--|-----|
|           | running from Flash in dual bank, ICACHE ON in 2-way . . . . .  | 161 |
| Table 40. | Current consumption in Run and Low-power run modes, code with data processing running from Flash in dual bank, ICACHE ON in 1-way . . . . .                                      | 162 |
| Table 41. | Current consumption in Run and Low-power run modes, code with data processing running from Flash in dual bank, ICACHE disabled . . . . .   | 163 |
| Table 42. | Current consumption in Run mode, code with data processing running from Flash in dual bank, ICACHE ON in 2-way and power supplied by internal SMPS step down converter . . . . . | 164 |
| Table 43. | Current consumption in Run mode, code with data processing running from Flash in dual bank, ICACHE ON in 1-way and power supplied by internal SMPS step down converter . . . . . | 165 |
| Table 44. | Current consumption in Run mode, code with data processing running from Flash in dual bank, ICACHE disabled and power supplied by internal SMPS step down converter . . . . .    | 166 |
| Table 45. | Current consumption in Run and Low-power run modes, code with data processing running from SRAM1 . . . . .   | 167 |
| Table 46. | Current consumption in Run mode, code with data processing running from SRAM1 and power supplied by internal SMPS step down converter . . . . .                                  | 168 |
| Table 47. | Current consumption in Run and Low-power run modes, code with data processing running from SRAM2 . . . . .   | 169 |
| Table 48. | Current consumption in Run mode, code with data processing running from SRAM2 and power supplied by internal SMPS step down converter . . . . .                                  | 170 |
| Table 49. | Typical current consumption in Run and Low-power run modes, with different codes running from Flash, ICACHE ON (2-way) . . . . .   | 171 |
| Table 50. | Typical current consumption in Run mode with SMPS, with different codes running from Flash, ICACHE ON (2-way) . . . . .  | 172 |
| Table 51. | Typical current consumption in Run and Low-power run modes, with different codes running from Flash, ICACHE ON (1-way) . . . . .   | 173 |
| Table 52. | Typical current consumption in Run mode with SMPS, with different codes running from Flash, ICACHE ON (1-way) . . . . .  | 174 |
| Table 53. | Typical current consumption in Run and Low-power run modes, with different codes running from Flash, ICACHE disabled . . . . .   | 175 |
| Table 54. | Typical current consumption in Run mode with internal SMPS, with different codes running from Flash, ICACHE disabled . . . . .   | 176 |
| Table 55. | Typical current consumption in Run and Low-power run modes, with different codes running from SRAM1 . . . . .  | 177 |
| Table 56. | Typical current consumption in Run mode with internal SMPS, with different codes running from SRAM1 . . . . .  | 178 |
| Table 57. | Typical current consumption in Run and Low-power run modes, with different codes running from SRAM2 . . . . .  | 179 |
| Table 58. | Typical current consumption in Run mode with internal SMPS, with different codes running from SRAM2 . . . . .  | 180 |
| Table 59. | Current consumption in Sleep and Low-power sleep mode, Flash ON . . . . .  | 181 |
| Table 60. | Current consumption in Low-power sleep mode, Flash in power-down . . . . .   | 182 |
| Table 61. | Current consumption in Sleep mode, Flash ON and power supplied by internal SMPS step down converter . . . . .  | 183 |
| Table 62. | Current consumption in Run mode, code with data processing running from Flash in single bank, ICACHE ON in 2-way and power supplied by external SMPS . . . . .                   | 184 |
| Table 63. | Current consumption in Run mode, code with data processing running from Flash in single bank, ICACHE ON in 1-way and power supplied by external SMPS . . . . .                   | 185 |
| Table 64. | Current consumption in Run mode, code with data processing running from Flash in single bank, ICACHE disabled and power supplied by external SMPS . . . . .                      | 186 |



|            |  |     |
|------------|--|-----|
| Table 65.  | Current consumption in Run mode, code with data processing running from Flash in dual bank, ICACHE on in 2-way and power supplied by external SMPS . . . . . | 187 |
| Table 66.  | Current consumption in Run mode, code with data processing running from Flash in dual bank, ICACHE on in 1-way and power supplied by external SMPS . . . . . | 188 |
| Table 67.  | Current consumption in Run mode, code with data processing running from Flash in dual bank, ICACHE disabled and power supplied by external SMPS. . . . .     | 189 |
| Table 68.  | Current consumption in Run mode, code with data processing running from SRAM1, and power supplied by external SMPS. . . . .                                  | 190 |
| Table 69.  | Current consumption in Run mode, code with data processing running from SRAM2, and power supplied by external SMPS. . . . .                                  | 191 |
| Table 70.  | Current consumption in Sleep mode, Flash ON and power supplied by external SMPS .  | 192 |
| Table 71.  | Current consumption in Run mode, code with data processing running from Flash, ICACHE on (2-way) and power supplied by external SMPS . . . . .               | 193 |
| Table 72.  | Current consumption in Run mode, code with data processing running from Flash, ICACHE on (1-way) and power supplied by external SMPS . . . . .               | 194 |
| Table 73.  | Current consumption in Run mode, code with data processing running from Flash, ICACHE disabled and power supplied by external SMPS . . . . .                 | 195 |
| Table 74.  | Current consumption in Run mode, code with data processing running from SRAM1, and power supplied by external SMPS. . . . .                                  | 196 |
| Table 75.  | Current consumption in Run mode, code with data processing running from SRAM2, and power supplied by external SMPS. . . . .                                  | 197 |
| Table 76.  | Current consumption in Stop 2 mode . . . . .   | 198 |
| Table 77.  | Current consumption in Stop 1 mode . . . . .   | 200 |
| Table 78.  | Current consumption in Stop 0 mode . . . . .   | 201 |
| Table 79.  | Current consumption in Standby mode . . . . .  | 202 |
| Table 80.  | Current consumption in Shutdown mode . . . . .   | 205 |
| Table 81.  | Current consumption in VBAT mode . . . . .   | 207 |
| Table 82.  | Peripheral current consumption . . . . .   | 209 |
| Table 83.  | Low-power mode wakeup timings . . . . .  | 213 |
| Table 84.  | Regulator modes transition times . . . . .   | 214 |
| Table 85.  | Wakeup time using USART/LPUART . . . . .   | 214 |
| Table 86.  | High-speed external user clock characteristics. . . . .  | 215 |
| Table 87.  | Low-speed external user clock characteristics . . . . .  | 216 |
| Table 88.  | HSE oscillator characteristics . . . . .   | 217 |
| Table 89.  | LSE oscillator characteristics ( $f_{LSE} = 32.768$ kHz) . . . . .   | 219 |
| Table 90.  | HSI16 oscillator characteristics. . . . .  | 220 |
| Table 91.  | MSI oscillator characteristics . . . . .   | 222 |
| Table 92.  | HSI48 oscillator characteristics. . . . .  | 225 |
| Table 93.  | LSI oscillator characteristics . . . . .   | 226 |
| Table 94.  | PLL, PLLSAI1, PLLSAI2 characteristics . . . . .  | 227 |
| Table 95.  | Flash memory characteristics . . . . .   | 228 |
| Table 96.  | Flash memory endurance and data retention . . . . .  | 228 |
| Table 97.  | EMS characteristics . . . . .  | 229 |
| Table 98.  | EMI characteristics . . . . .  | 230 |
| Table 99.  | ESD absolute maximum ratings . . . . .   | 230 |
| Table 100. | Electrical sensitivities . . . . .   | 231 |
| Table 101. | I/O current injection susceptibility . . . . .   | 231 |
| Table 102. | I/O static characteristics . . . . .   | 232 |
| Table 103. | Output voltage characteristics . . . . .   | 235 |
| Table 104. | I/O AC characteristics (All I/Os except FT_c) . . . . .  | 236 |
| Table 105. | FT_c I/O AC characteristics . . . . .  | 238 |
| Table 106. | NRST pin characteristics . . . . .   | 239 |

|            |   |     |
|------------|---|-----|
| Table 107. | EXTI input characteristics . . . . .  | 239 |
| Table 108. | Analog switches booster characteristics . . . . .                                   | 240 |
| Table 109. | ADC characteristics . . . . .   | 241 |
| Table 110. | Maximum ADC RAIN . . . . .  | 243 |
| Table 111. | ADC accuracy - limited test conditions 1 . . . . .                                  | 245 |
| Table 112. | ADC accuracy - limited test conditions 2 . . . . .                                  | 247 |
| Table 113. | ADC accuracy - limited test conditions 3 . . . . .                                  | 249 |
| Table 114. | ADC accuracy - limited test conditions 4 . . . . .                                  | 251 |
| Table 115. | DAC characteristics . . . . .   | 254 |
| Table 116. | DAC accuracy ranges 0/1 . . . . .   | 257 |
| Table 117. | VREFBUF characteristics . . . . .   | 259 |
| Table 118. | COMP characteristics . . . . .  | 262 |
| Table 119. | OPAMP characteristics . . . . .   | 263 |
| Table 120. | TS characteristics . . . . .  | 267 |
| Table 121. | V <sub>BAT</sub> monitoring characteristics . . . . .                               | 267 |
| Table 122. | V <sub>BAT</sub> charging characteristics . . . . .                                 | 267 |
| Table 123. | Temp and VDD monitoring characteristics . . . . .                                   | 268 |
| Table 124. | DFSDM measured timing 1.71 to 3.6 V . . . . .                                       | 269 |
| Table 125. | TIMx characteristics . . . . .  | 271 |
| Table 126. | IWDG min/max timeout period at 32 kHz (LSI) . . . . .                               | 271 |
| Table 127. | WWDG min/max timeout value at 110 MHz (PCLK) . . . . .                              | 271 |
| Table 128. | I2C analog filter characteristics . . . . .   | 272 |
| Table 129. | SPI characteristics . . . . .   | 273 |
| Table 130. | SAI characteristics . . . . .   | 277 |
| Table 131. | USART characteristics . . . . .   | 279 |
| Table 132. | Asynchronous non-multiplexed SRAM/PSRAM/NOR read timings . . . . .                  | 283 |
| Table 133. | Asynchronous non-multiplexed SRAM/PSRAM/NOR read-NWAIT timings . . . . .            | 283 |
| Table 134. | Asynchronous non-multiplexed SRAM/PSRAM/NOR write timings . . . . .                 | 284 |
| Table 135. | Asynchronous non-multiplexed SRAM/PSRAM/NOR write-NWAIT timings . . . . .           | 285 |
| Table 136. | Asynchronous multiplexed PSRAM/NOR read timings . . . . .                           | 286 |
| Table 137. | Asynchronous multiplexed PSRAM/NOR read-NWAIT timings . . . . .                     | 286 |
| Table 138. | Asynchronous multiplexed PSRAM/NOR write timings . . . . .                          | 288 |
| Table 139. | Asynchronous multiplexed PSRAM/NOR write-NWAIT timings . . . . .                    | 288 |
| Table 140. | Synchronous multiplexed NOR/PSRAM read timings . . . . .                            | 290 |
| Table 141. | Synchronous multiplexed PSRAM write timings . . . . .                               | 292 |
| Table 142. | Synchronous non-multiplexed NOR/PSRAM read timings . . . . .                        | 294 |
| Table 143. | Synchronous non-multiplexed PSRAM write timings . . . . .                           | 296 |
| Table 144. | Switching characteristics for NAND Flash read cycles . . . . .                      | 298 |
| Table 145. | Switching characteristics for NAND Flash write cycles . . . . .                     | 299 |
| Table 146. | OCTOSPI characteristics in SDR mode . . . . .                                       | 300 |
| Table 147. | OCTOSPI characteristics in DTR mode (no DQS) . . . . .                              | 301 |
| Table 148. | OCTOSPI characteristics in DTR mode (with DQS)/Octal and HyperBus . . . . .         | 302 |
| Table 149. | Dynamics characteristics: delay block characteristics . . . . .                     | 306 |
| Table 150. | Dynamics characteristics: SD / eMMC characteristics,<br>VDD=2.7V to 3.6 V . . . . . | 306 |
| Table 151. | Dynamics characteristics: eMMC characteristics VDD=1.71 V to 1.9 V . . . . .        | 307 |
| Table 152. | UCPD characteristics . . . . .  | 309 |
| Table 153. | LQFP48 mechanical data . . . . .  | 310 |
| Table 154. | UFQFPN48 mechanical data . . . . .  | 313 |
| Table 155. | LQFP64 mechanical data . . . . .  | 316 |
| Table 156. | WLCSP81 mechanical data . . . . .   | 319 |
| Table 157. | WLCSP81 recommended PCB design rules . . . . .                                      | 321 |

---

|            |  |     |
|------------|--|-----|
| Table 158. | LQPF100 mechanical data . . . . .                                  | 322 |
| Table 159. | UFBGA132 mechanical data . . . . .                                 | 325 |
| Table 160. | UFBGA132 recommended PCB design rules (0.5 mm pitch BGA) . . . . . | 326 |
| Table 161. | LQFP144 mechanical data . . . . .                                  | 329 |
| Table 162. | Package thermal characteristics . . . . .                          | 332 |
| Table 163. | STM32L562xx ordering information scheme . . . . .                  | 336 |
| Table 164. | Document revision history . . . . .                                | 337 |

## List of figures

|            |  |     |
|------------|--|-----|
| Figure 1.  | STM32L562xx block diagram . . . . .                              | 19  |
| Figure 2.  | STM32L562xx power supply overview . . . . .                      | 34  |
| Figure 3.  | STM32L562xxxP power supply overview . . . . .                    | 35  |
| Figure 4.  | STM32L562xxxQ power supply overview . . . . .                    | 36  |
| Figure 5.  | Power-up/down sequence . . . . .                                 | 37  |
| Figure 6.  | SMPS step down converter power supply scheme . . . . .           | 39  |
| Figure 7.  | STM32L562xx clock tree . . . . .                                 | 52  |
| Figure 8.  | Multi-AHB bus matrix . . . . .                                   | 54  |
| Figure 9.  | Voltage reference buffer . . . . .                               | 63  |
| Figure 10. | STM32L562xx LQFP48 pinout . . . . .                              | 81  |
| Figure 11. | STM32L562xxxP LQFP48 external SMPS pinout . . . . .              | 81  |
| Figure 12. | STM32L562xx UFQFPN48 pinout . . . . .                            | 82  |
| Figure 13. | STM32L562xxxP UFQFPN48 external SMPS pinout . . . . .            | 82  |
| Figure 14. | STM32L562xx LQFP64 pinout . . . . .                              | 83  |
| Figure 15. | STM32L562xxxQ LQFP64 SMPS step down converter pinout. . . . .    | 83  |
| Figure 16. | STM32L562xxxP LQFP64 external SMPS pinout . . . . .              | 84  |
| Figure 17. | STM32L562xxxQ WLCSP81 SMPS step down converter ballout . . . . . | 84  |
| Figure 18. | STM32L562xxxP WLCSP81 external SMPS ballout . . . . .            | 85  |
| Figure 19. | STM32L562xx LQFP100 pinout . . . . .                             | 85  |
| Figure 20. | STM32L562xxxQ LQFP100 SMPS step down converter pinout. . . . .   | 86  |
| Figure 21. | STM32L562xx UFBGA132 ballout . . . . .                           | 87  |
| Figure 22. | STM32L562xxxQ UFBGA132 SMPS step down converter ballout. . . . . | 87  |
| Figure 23. | STM32L562xx LQFP144 pinout . . . . .                             | 88  |
| Figure 24. | STM32L562xxxQ LQFP144 SMPS step down converter pinout. . . . .   | 89  |
| Figure 25. | Pin loading conditions . . . . .                                 | 140 |
| Figure 26. | Pin input voltage . . . . .                                      | 140 |
| Figure 27. | STM32L552xx and STM32L562xx power supply overview . . . . .      | 141 |
| Figure 28. | STM32L552xxxP and STM32L562xxxP power supply overview . . . . .  | 142 |
| Figure 29. | STM32L552xxxQ and STM32L562xxxQ power supply overview . . . . .  | 143 |
| Figure 30. | Current consumption measurement . . . . .                        | 144 |
| Figure 31. | External components for SMPS step down converter . . . . .       | 148 |
| Figure 32. | VREFINT versus temperature . . . . .                             | 153 |
| Figure 33. | High-speed external clock source AC timing diagram . . . . .     | 215 |
| Figure 34. | Low-speed external clock source AC timing diagram . . . . .      | 216 |
| Figure 35. | Typical application with an 8 MHz crystal . . . . .              | 218 |
| Figure 36. | Typical application with a 32.768 kHz crystal . . . . .          | 219 |
| Figure 37. | HSI16 frequency versus temperature . . . . .                     | 221 |
| Figure 38. | Typical current consumption versus MSI frequency . . . . .       | 224 |
| Figure 39. | HSI48 frequency versus temperature . . . . .                     | 226 |
| Figure 40. | I/O input characteristics . . . . .                              | 234 |
| Figure 41. | I/O AC characteristics definition <sup>(1)</sup> . . . . .       | 238 |
| Figure 42. | Recommended NRST pin protection . . . . .                        | 239 |
| Figure 43. | ADC accuracy characteristics . . . . .                           | 253 |
| Figure 44. | Typical connection diagram using the ADC . . . . .               | 253 |
| Figure 45. | 12-bit buffered / non-buffered DAC . . . . .                     | 256 |
| Figure 46. | VREFBUF in case VRS = 0 . . . . .                                | 260 |
| Figure 47. | VREFBUF in case VRS = 1 . . . . .                                | 261 |
| Figure 48. | SPI timing diagram - slave mode and CPHA = 0 . . . . .           | 275 |

|            |   |     |
|------------|---|-----|
| Figure 49. | SPI timing diagram - slave mode and CPHA = 1                | 275 |
| Figure 50. | SPI timing diagram - master mode                            | 276 |
| Figure 51. | SAI master timing waveforms                                 | 278 |
| Figure 52. | SAI slave timing waveforms                                  | 279 |
| Figure 53. | USART master mode timing diagram                            | 280 |
| Figure 54. | USART slave mode timing diagram                             | 281 |
| Figure 55. | Asynchronous non-multiplexed SRAM/PSRAM/NOR read waveforms  | 282 |
| Figure 56. | Asynchronous non-multiplexed SRAM/PSRAM/NOR write waveforms | 284 |
| Figure 57. | Asynchronous multiplexed PSRAM/NOR read waveforms           | 285 |
| Figure 58. | Asynchronous multiplexed PSRAM/NOR write waveforms          | 287 |
| Figure 59. | Synchronous multiplexed NOR/PSRAM read timings              | 289 |
| Figure 60. | Synchronous multiplexed PSRAM write timings                 | 291 |
| Figure 61. | Synchronous non-multiplexed NOR/PSRAM read timings          | 293 |
| Figure 62. | Synchronous non-multiplexed PSRAM write timings             | 295 |
| Figure 63. | NAND controller waveforms for read access                   | 297 |
| Figure 64. | NAND controller waveforms for write access                  | 297 |
| Figure 65. | NAND controller waveforms for common memory read access     | 298 |
| Figure 66. | NAND controller waveforms for common memory write access    | 298 |
| Figure 67. | OCTOSPI timing diagram - SDR mode                           | 304 |
| Figure 68. | OCTOSPI timing diagram - DDR mode                           | 304 |
| Figure 69. | OCTOSPI HyperBus clock                                      | 304 |
| Figure 70. | OCTOSPI HyperBus read                                       | 305 |
| Figure 71. | OCTOSPI HyperBus read with double latency                   | 305 |
| Figure 72. | OCTOSPI HyperBus write                                      | 305 |
| Figure 73. | SDIO high-speed mode  | 308 |
| Figure 74. | SD default mode   | 308 |
| Figure 75. | DDR mode  | 308 |
| Figure 76. | LQFP48 outline  | 310 |
| Figure 77. | LQFP48 recommended footprint                                | 311 |
| Figure 78. | Example of LQFP48 package marking (package top view)        | 312 |
| Figure 79. | UFQFPN48 outline  | 313 |
| Figure 80. | UFQFPN48 recommended footprint                              | 314 |
| Figure 81. | Example of UFQFPN48 package marking (package top view)      | 315 |
| Figure 82. | LQFP64 outline  | 316 |
| Figure 83. | LQFP64 recommended footprint                                | 317 |
| Figure 84. | Example of LQFP64 package marking (package top view)        | 318 |
| Figure 85. | WLCSP81 outline   | 319 |
| Figure 86. | WLCSP 81 recommended footprint                              | 320 |
| Figure 87. | Example of WLCSP81 package marking (package top view)       | 321 |
| Figure 88. | LQFP100 outline   | 322 |
| Figure 89. | LQFP100 recommended footprint                               | 323 |
| Figure 90. | Example of LQFP100 package marking (package top view)       | 324 |
| Figure 91. | UFBGA132 outline  | 325 |
| Figure 92. | UFBGA132 recommended footprint                              | 326 |
| Figure 93. | Example of UFBGA132 package marking (package top view)      | 327 |
| Figure 94. | LQFP144 outline   | 328 |
| Figure 95. | LQFP144 recommended footprint                               | 330 |
| Figure 96. | Example of LQFP144 package marking (package top view)       | 331 |

# 1 Introduction

This document provides the ordering information and mechanical device characteristics of the STM32L562xx microcontrollers.

This document should be read in conjunction with the STM32L552xx and STM32L562xx reference manual (RM0438).

For information on the Arm<sup>®(a)</sup> Cortex<sup>®</sup>-M33 core, refer to the Cortex<sup>®</sup>-M33 Technical Reference Manual, available from the [www.arm.com](http://www.arm.com) website.

The logo for Arm, consisting of the lowercase letters 'arm' in a bold, sans-serif font.

---

a. Arm is a registered trademark of Arm Limited (or its subsidiaries) in the US and/or elsewhere.

## 2 Description

The STM32L562xx devices are an ultra-low-power microcontrollers family (STM32L5 Series) based on the high-performance Arm<sup>®</sup> Cortex<sup>®</sup>-M33 32-bit RISC core. They operate at a frequency of up to 110 MHz.

The Cortex<sup>®</sup>-M33 core features a single-precision floating-point unit (FPU), which supports all the Arm<sup>®</sup> single-precision data-processing instructions and all the data types. The Cortex<sup>®</sup>-M33 core also implements a full set of DSP (digital signal processing) instructions and a memory protection unit (MPU) which enhances the application's security.

These devices embed high-speed memories (512 Kbytes of Flash memory and 256 Kbytes of SRAM), a flexible external memory controller (FSMC) for static memories (for devices with packages of 100 pins and more), an Octo-SPI Flash memories interface (available on all packages) and an extensive range of enhanced I/Os and peripherals connected to two APB buses, two AHB buses and a 32-bit multi-AHB bus matrix.

The STM32L5 Series devices offer security foundation compliant with the trusted based security architecture (TBSA) requirements from Arm. They embed the necessary security features to implement a secure boot, secure data storage, secure firmware installation and secure firmware upgrade. Flexible life cycle is managed thanks to multiple levels of readout protection. Firmware hardware isolation is supported thanks to securable peripherals, memories and I/Os, and also to the possibility to configure the peripherals and memories as "privilege".

The STM32L562xx devices embed several protection mechanisms for embedded Flash memory and SRAM: readout protection, write protection, secure and hidden protection areas.

The STM32L562xx devices embed several peripherals reinforcing security:

- One AES coprocessor
- One public key accelerator (PKA)
- One on-the-fly decryption engine for Octo-SPI external memories
- One HASH hardware accelerator
- One true random number generator

The STM32L5 Series devices offer active tamper detection and protection against transient and environmental perturbation attacks thanks to several internal monitoring which generate secret data erase in case of attack. This helps to fit the PCI requirements for point of sales applications. These devices offer two fast 12-bit ADC (5 Msps), two comparators, two operational amplifiers, two DAC channels, an internal voltage reference buffer, a low-power RTC, two general-purpose 32-bit timer, two 16-bit PWM timers dedicated to motor control, seven general-purpose 16-bit timers, and two 16-bit low-power timers. The devices support four digital filters for external sigma delta modulators (DFSDM). In addition, up to 22 capacitive sensing channels are available.

STM32L5 Series also feature standard and advanced communication interfaces such as:

- Four I2Cs
- Three SPIs
- Three USARTs, two UARTs and one low-power UART



- Two SAls
- One SDMMC
- One FDCAN
- USB device FS
- USB Type-C / USB power delivery controller

The STM32L562xx devices embed an AES, PKA and OTFDEC hardware accelerator.

The devices operate in the -40 to +85 °C (+105 °C junction) and -40 to +125 °C (+130 °C junction) temperature ranges from a 1.71 to 3.6 V power supply. A comprehensive set of power-saving modes allows the design of low-power applications.

Some independent power supplies are supported like an analog independent supply input for ADC, DAC, OPAMPs and comparators, a 3.3 V dedicated supply input for USB and up to 14 I/Os, which can be supplied independently down to 1.08 V. A VBAT input allows the backup of the RTC and the backup of the registers.

The STM32L562xx devices offer seven packages from 48-pin to 144-pin.

**Table 2. STM32L562xx features and peripheral counts**

| Peripherals   |                  | STM32L562CE/<br>STM32L562CExxP | STM32L562RE/<br>STM32L562RExxP/<br>STM32L562RExxQ | STM32L562MExxP/<br>STM32L562MExxQ | STM32L562VE/<br>STM32L562VExxQ | STM32L562QE/<br>STM32L562QExxP/<br>STM32L562QExxQ | STM32L562ZE/<br>STM32L562ZExxQ |
|---|------------------|--------------------------------|---|-----------------------------------|--------------------------------|---|--------------------------------|
| Flash memory (Kbyte)                                  |                  | 512                            |   |                                   |                                |   |                                |
| SRAM  | System (Kbyte)   | 256 (192+64)                   |   |                                   |                                |   |                                |
|   | Backup (byte)    | 128                            |   |                                   |                                |   |                                |
| External memory controller for static memories (FSMC) |                  | No                             |   |                                   | Yes                            |   |                                |
| OCTOSPI   |                  | 1                              |   |                                   |                                |   |                                |
| Timers  | Advanced control | 2 (16-bit)                     |   |                                   |                                |   |                                |
|   | General purpose  | 5 (16-bit)                     |   |                                   |                                |   |                                |
|   |                  | 2 (32-bit)                     |   |                                   |                                |   |                                |
|   | Basic            | 2 (16-bit)                     |   |                                   |                                |   |                                |
|   | Low power        | 3 (16-bit)                     |   |                                   |                                |   |                                |
|   | SysTick timer    | 1                              |   |                                   |                                |   |                                |
| Watchdog timers (independent, window)                 | 2                |                                |   |                                   |                                |   |                                |

Table 2. STM32L562xx features and peripheral counts (continued)

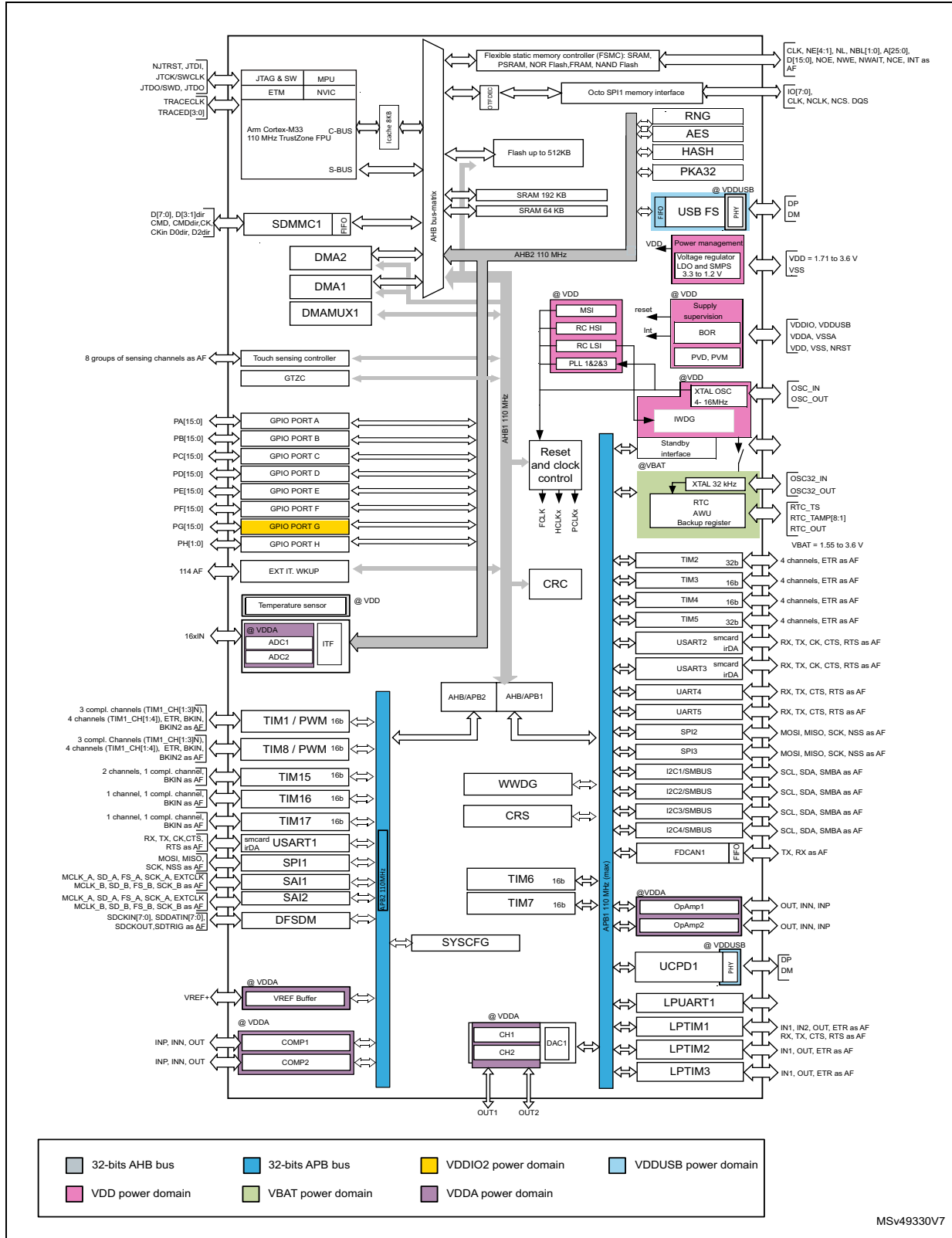
| Peripherals                                |                            | STM32L562CE/<br>STM32L562CExxP |            | STM32L562RE/<br>STM32L562RExxP/<br>STM32L562RExxQ |       | STM32L562MExxP/<br>STM32L562MExxQ |          | STM32L562VE/<br>STM32L562VExxQ |  | STM32L562QE/<br>STM32L562QExxP/<br>STM32L562QExxQ |  | STM32L562ZE/<br>STM32L562ZExxQ |  |
|--|----------------------------|--------------------------------|------------|---|-------|-----------------------------------|----------|--------------------------------|--|---|--|--------------------------------|--|
|  |                            |                                |            |   |       |                                   |          |                                |  |   |  |                                |  |
| Communication interfaces                   | SPI                        | 3                              |            |   |       |                                   |          |                                |  |   |  |                                |  |
|  | I2C                        | 4                              |            |   |       |                                   |          |                                |  |   |  |                                |  |
|  | USART <sup>(1)</sup> /UART | 3/2 (2)                        |            |   |       |                                   |          |                                |  |   |  |                                |  |
|  | UART                       | 2                              |            |   |       |                                   |          |                                |  |   |  |                                |  |
|  | LPUART                     | 1                              |            |   |       |                                   |          |                                |  |   |  |                                |  |
|  | SAI                        | 2                              |            |   |       |                                   |          |                                |  |   |  |                                |  |
|  | FDCAN                      | 1                              |            |   |       |                                   |          |                                |  |   |  |                                |  |
|  | USB FS                     | Yes                            |            |   |       |                                   |          |                                |  |   |  |                                |  |
|  | SDMMC                      | No                             | Yes/No/Yes | Yes   |       |                                   |          |                                |  |   |  |                                |  |
| Digital filters for sigma-delta modulators |                            | Yes (4 filters)                |            |   |       |                                   |          |                                |  |   |  |                                |  |
| Number of channels                         |                            | 8                              |            |   |       |                                   |          |                                |  |   |  |                                |  |
| Real time clock (RTC)                      |                            | Yes                            |            |   |       |                                   |          |                                |  |   |  |                                |  |
| Tamper pins                                |                            | 3                              | 4/3        | 3   | 5/4   | 5                                 | 8/7      |                                |  |   |  |                                |  |
| True random number generator               |                            | Yes                            |            |   |       |                                   |          |                                |  |   |  |                                |  |
| AES  |                            | Yes                            |            |   |       |                                   |          |                                |  |   |  |                                |  |
| PKA  |                            | Yes                            |            |   |       |                                   |          |                                |  |   |  |                                |  |
| HASH (SHA-256)                             |                            | Yes                            |            |   |       |                                   |          |                                |  |   |  |                                |  |
| On-the-fly decryption for OCTOSPI          |                            | 1                              |            |   |       |                                   |          |                                |  |   |  |                                |  |
| OCTOSPI memory encryption                  |                            | 1                              |            |   |       |                                   |          |                                |  |   |  |                                |  |
| GPIOs                                      |                            | 38/36                          | 52/50/47   | 54/51   | 83/79 | 110/108/105                       | 115 /111 |                                |  |   |  |                                |  |
| Wakeup pins                                |                            | 3                              | 4/3/3      | 3   | 5/4   | 5                                 | 5/4      |                                |  |   |  |                                |  |
| Nb of I/Os down to 1.08 V                  |                            | 0                              | 0          | 6   | 0     | 13/13/10                          | 14/13    |                                |  |   |  |                                |  |
| Capacitive sensing                         |                            |                                |            |   |       |                                   |          |                                |  |   |  |                                |  |
| Number of channels                         |                            | 5                              | 10/10/9    | 10  | 19/18 | 22                                | 22/21    |                                |  |   |  |                                |  |
| ADC  | 12-bit ADC                 | 2                              |            |   |       |                                   |          |                                |  |   |  |                                |  |
|  | Number of channels         | 9                              | 16/16/15   | 16/15   | 16/14 | 16                                | 16/14    |                                |  |   |  |                                |  |
| DAC  | 12-bit DAC                 | 1                              |            |   |       |                                   |          |                                |  |   |  |                                |  |
|  | Number of channels         | 2                              |            |   |       |                                   |          |                                |  |   |  |                                |  |

Table 2. STM32L562xx features and peripheral counts (continued)

| Peripherals                       | STM32L562CE/<br>STM32L562CExxP   | STM32L562RE/<br>STM32L562RExxP/<br>STM32L562RExxQ | STM32L562MExxP/<br>STM32L562MExxQ | STM32L562VExxQ         | STM32L562QE/<br>STM32L562QExxP/<br>STM32L562QExxQ | STM32L562ZE/<br>STM32L562ZExxQ |
|-----------------------------------|--|---|-----------------------------------|------------------------|---|--------------------------------|
| Internal voltage reference buffer | Yes  |   |                                   |                        |   |                                |
| Analog comparator                 | 2  |   |                                   |                        |   |                                |
| Operational amplifiers            | 2  |   |                                   |                        |   |                                |
| Max. CPU frequency                | 110 MHz  |   |                                   |                        |   |                                |
| Operating voltage                 | 1.71 to 3.6 V  |   |                                   |                        |   |                                |
| Operating temperature             | Ambient operating temperature: -40 to 85 °C / -40 to 125 °C<br>Junction temperature: -40 to 105 °C / -40 to 130 °C |   |                                   |                        |   |                                |
| Package                           | LQFP48,<br>UFQFPN48  | LQFP64  | WLCSP81                           | LQFP100 <sup>(2)</sup> | UFBGA132  | LQFP144                        |

1. USART3 is not available on STM32L562CExxP devices.
2. For the LQFP100 package, only FSMC Bank1 is available. Bank1 can only support a multiplexed NOR/PSRAM memory using the NE1 Chip Select.

Figure 1. STM32L562xx block diagram



MSv49330V7

1. AF: alternate function on I/O pins.

## 3 Functional overview

### 3.1 Arm<sup>®</sup> Cortex<sup>®</sup>-M33 core with TrustZone<sup>®</sup> and FPU

The Cortex<sup>®</sup>-M33 with TrustZone and FPU is a highly energy efficient processor designed for microcontrollers and deeply embedded applications, especially those requiring efficient security.

The Cortex<sup>®</sup>-M33 processor delivers a high computational performance with low-power consumption and an advanced response to interrupts. It features:

- Arm<sup>®</sup> TrustZone<sup>®</sup> technology, using the Armv8-M main extension supporting secure and non-secure states
- Memory protection units (MPUs), 8 regions for secure and 8 regions for non-secure
- Configurable secure attribute unit (SAU) supporting up to 8 memory regions
- Floating-point arithmetic functionality with support for single precision arithmetic

The processor supports a set of DSP instructions that allows an efficient signal processing and a complex algorithm execution.

The Cortex<sup>®</sup>-M33 processor supports the following bus interfaces:

- System AHB bus:  
The System AHB (S-AHB) bus interface is used for any instruction fetch and data access to the memory-mapped SRAM, peripheral, external RAM and external device, or Vendor\_SYS regions of the Armv8-M memory map.
- Code AHB bus  
The Code AHB (C-AHB) bus interface is used for any instruction fetch and data access to the code region of the Armv8-M memory map.

*Figure 1* shows the general block diagram of the STM32L562xx family devices.

### 3.2 Art Accelerator – instruction cache (ICACHE)

The instruction cache (ICACHE) is introduced on C-AHB code bus of Cortex<sup>®</sup>-M33 processor to improve performance when fetching instruction (or data) from both internal and external memories.

ICACHE offers the following features:

- Multi-bus interface:
  - slave port receiving the memory requests from the Cortex<sup>®</sup>-M33 C-AHB code execution port
  - master1 port performing refill requests to internal memories (FLASH and SRAMs)
  - master2 port performing refill requests to external memories (external FLASH/RAMs through Octo-SPI/FMC interfaces)
  - a second slave port dedicated to ICACHE registers access.
- Close to zero wait states instructions/data access performance:
  - 0 wait-state on cache hit
  - hit-under-miss capability, allowing to serve new processor requests while a line refill (due to a previous cache miss) is still ongoing
  - critical-word-first refill policy, minimizing processor stalls on cache miss
  - hit ratio improved by 2-ways set-associative architecture and pLRU-t replacement policy (pseudo-least-recently-used, based on binary tree), algorithm with best complexity/performance balance
  - dual master ports allowing to decouple internal and external memory traffics, on Fast and Slow buses, respectively; also minimizing impact on interrupt latency
  - optimal cache line refill thanks to AHB burst transactions (of the cache line size).
  - performance monitoring by means of a hit counter and a miss counter.
- Extension of cacheable region beyond Code memory space, by means of address remapping logic that allows to define up to 4 cacheable external regions
- Power consumption reduced intrinsically (most accesses to cache memory rather to bigger main memories); even improved by configuring ICACHE as direct mapped (rather than the default 2-ways set-associative mode)
- TrustZone<sup>®</sup> security support
- Maintenance operation for software management of cache coherency
- Error management: detection of unexpected cacheable write access, with optional interrupt raising.

### 3.3 Memory protection unit

The memory protection unit (MPU) is used to manage the CPU accesses to the memory and to prevent one task to accidentally corrupt the memory or the resources used by any other active task. This memory area is organized into up to 8 regions for secure and 8 regions for non secure state.

The MPU is especially helpful for applications where some critical or certified code has to be protected against the misbehavior of other tasks. It is usually managed by an RTOS (real-time operating system). If a program accesses a memory location that is prohibited by the MPU, the RTOS can detect it and take action. In an RTOS environment, the kernel can dynamically update the MPU area setting based on the process to be executed.

The MPU is optional and can be bypassed for applications that do not need it.

## 3.4 Embedded Flash memory

The devices feature 512 Kbytes of embedded Flash memory which is available for storing programs and data.

The Flash interface features:

- Single or dual bank operating modes
- Read-while-write (RWW) in dual bank mode

This feature allows a read operation to be performed from one bank while an erase or program operation is performed to the other bank. The dual bank boot is also supported. Each bank contains 128 pages of 2 or 4 Kbytes (depending on the read access width). The Flash memory also embeds 512 bytes OTP (one-time programmable) for user data.

Flexible protections can be configured thanks to the option bytes:

- Readout protection (RDP) to protect the whole memory. Four levels of protection are available:
  - Level 0: no readout protection
  - Level 0.5: available only when TrustZone is enabled  
All read/write operations (if no write protection is set) from/to the non-secure Flash memory are possible. The Debug access to secure area is prohibited. Debug access to non-secure area remains possible.
  - Level 1: memory readout protection; the Flash memory cannot be read from or written to if either the debug features are connected or the boot in RAM or bootloader are selected. If TrustZone is enabled, the non-secure debug is possible and the boot in SRAM is not possible.
  - Level 2: chip readout protection; the debug features (Cortex<sup>®</sup>-M33 JTAG and serial wire), the boot in RAM and the bootloader selection are disabled (JTAG fuse). This selection is irreversible.
- Write protection (WRP): the protected area is protected against erasing and programming:
  - In single bank mode, four areas can be selected with 4-Kbyte granularity.
  - In dual bank mode, two areas per bank can be selected with 2-Kbyte granularity.

The whole non-volatile memory embeds the error correction code (ECC) feature supporting:

- Single error detection and correction
- Double error detection
- The address of the ECC fail can be read in the ECC register.

### TrustZone security

When the TrustZone security is enabled, the whole Flash is secure after reset and the following protections are available:

- Non-volatile watermark-based secure Flash area: the secure area can be accessed only in secure mode.
  - In single bank mode, four areas can be selected with a page granularity.
  - In dual bank mode, one area per bank can be selected with a page granularity.
- Secure hidden protection area: it is part of the Flash secure area and it can be protected to deny an access to this area by any data read, write and instruction fetch.



For example, a software code in the secure Flash memory hidden protection area can be executed only once and deny any further access to this area until next system reset.

- Volatile block-based secure Flash area. In a block-based secure area, each page can be programmed on-the-fly as secure or non-secure.

### 3.5 Embedded SRAM

The devices feature 256 Kbytes of embedded SRAM. This SRAM is split into three blocks:

- 192 Kbytes mapped at address 0x2000 0000 (SRAM1).
- 64 Kbytes located at address 0x0A03 0000 with hardware parity check (SRAM2). This memory is also mapped at address 0x2003 0000 offering a contiguous address space with the SRAM1. This block is accessed through the C-bus for maximum performance. Either 64 Kbytes or upper 4 Kbytes of SRAM2 can be retained in Standby mode. The SRAM2 can be write-protected with 1 Kbyte granularity.

The memory can be accessed in read/write at CPU clock speed with 0 wait states.

#### TrustZone security

When the TrustZone security is enabled, all SRAMs are secure after reset. The SRAM can be programmed as non-secure by block based using the MPCBB (memory protection controller block based) in GTZC controller. The granularity of SRAM secure block based is a page of 256 bytes.

### 3.6 Boot modes

At startup, a BOOT0 pin, nBOOT0 and NSBOOTADDx[24:0] / SECBOOTADD0[24:0] option bytes are used to select the boot memory address which includes:

- Boot from any address in user Flash
- Boot from system memory bootloader
- Boot from any address in embedded SRAM
- Boot from Root Security service (RSS)

The BOOT0 value may come from the PH3-BOOT0 pin or from an option bit depending on the value of a user option bit to free the GPIO pad if needed.

The boot loader is located in the system memory. It is used to reprogram the Flash memory by using USART, I2C, SPI, FDCAN or USB FS in device mode through the DFU (device firmware upgrade).

The bootloader is available on all devices. Refer to the application note *STM32 microcontroller system memory boot mode* (AN2606) for more details.

The root secure services (RSS) are embedded in a Flash memory area named secure information block, programmed during ST production.

The RSS enables for example the secure firmware installation (SFI) thanks to the RSS extension firmware (RSSe SFI).

This feature allows the customers to protect the confidentiality of the firmware to be provisioned into the STM32 device when the production is subcontracted to a third party.

The RSS is available on all devices, after enabling the TrustZone through the TZEN option bit.

Refer to the application note *Overview secure firmware install (SFI)* (AN4992) for more details.

Refer to [Table 3](#) and [Table 4](#) for boot modes when TrustZone is disabled and enabled respectively.

**Table 3. Boot modes when TrustZone is disabled (TZEN=0)**

| nBOOT0<br>FLASH_<br>OPTR[27] | BOOT0<br>pin PH3 | nSWBOOT0<br>FLASH_<br>OPTR[26] | Boot address option-<br>bytes selection | Boot area  | ST programmed<br>default value    |
|------------------------------|------------------|--------------------------------|---|--|-----------------------------------|
| -                            | 0                | 1                              | NSBOOTADD0[24:0]                        | Boot address defined by<br>user option bytes<br>NSBOOTADD0[24:0] | Flash: 0x0800 0000                |
| -                            | 1                | 1                              | NSBOOTADD1[24:0]                        | Boot address defined by<br>user option bytes<br>NSBOOTADD1[24:0] | System bootloader:<br>0x0BF9 0000 |
| 1                            | -                | 0                              | NSBOOTADD0[24:0]                        | Boot address defined by<br>user option bytes<br>NSBOOTADD0[24:0] | Flash: 0x0800 0000                |
| 0                            | -                | 0                              | NSBOOTADD1[24:0]                        | Boot address defined by<br>user option bytes<br>NSBOOTADD1[24:0] | System bootloader:<br>0x0BF9 0000 |

When TrustZone is enabled by setting the TZEN option bit, the boot space must be in secure area. The SECBOOTADD0[24:0] option bytes are used to select the boot secure memory address.

A unique boot entry option can be selected by setting the BOOT\_LOCK option bit, allowing to boot always at the address selected by SECBOOTADD0[24:0] option bytes. All other boot options are ignored.

**Table 4. Boot modes when TrustZone is enabled (TZEN=1)**

| BOOT_LOCK | nBOOT0 FLASH_OPTR[27] | BOOT0 pin PH3 | nSWBOOT0 FLASH_OPTR[26] | RSS command | Boot address option-bytes selection | Boot area   | ST programmed default value |
|-----------|-----------------------|---------------|-------------------------|-------------|-------------------------------------|---|-----------------------------|
| 0         | -                     | 0             | 1                       | 0           | SECBOOTAD D0[24:0]                  | Secure boot address defined by user option bytes<br>SECBOOTADD0[24:0] | Flash:<br>0x0C00 0000       |
|           | -                     | 1             | 1                       | 0           | N/A                                 | RSS: 0x0FF8 0000  | RSS:<br>0x0FF8 0000         |
|           | 1                     | -             | 0                       | 0           | SECBOOTAD D0[24:0]                  | Secure boot address defined by user option bytes<br>SECBOOTADD0[24:0] | Flash:<br>0x0C00 0000       |
|           | 0                     | -             | 0                       | 0           | N/A                                 | RSS: RSS:<br>0x0FF8 0000  | RSS:<br>0x0FF8 0000         |
|           | -                     | -             | -                       | ≠ 0         | N/A                                 | RSS: RSS:<br>0x0FF8 0000  | RSS:<br>0x0FF8 0000         |
| 1         | -                     | -             | -                       | -           | SECBOOTAD D0[24:0]                  | Secure boot address defined by user option bytes<br>SECBOOTADD0[24:0] | Flash:<br>0x0C00 0000       |

The boot address option bytes enables the possibility to program any boot memory address. However, the allowed address space depends on Flash read protection RDP level.

If the programmed boot memory address is out of the allowed memory mapped area when RDP level is 0.5 or more, the default boot fetch address is forced to:

- 0x0800 0000 (when TZEN = 0)
- RSS (when TZEN = 1)

Refer to [Table 5](#).

**Table 5. Boot space versus RDP protection**

| RDP | TZEN = 1         | TZEN = 0         |
|-----|------------------|------------------|
| 0   | Any boot address | Any boot address |

**Table 5. Boot space versus RDP protection (continued)**

| RDP | TZEN = 1   | TZEN = 0  |
|-----|--|---|
| 0.5 |  | N/A   |
| 1   |  | Any boot address  |
| 2   | Boot address only in:<br>– RSS<br>– or secure Flash: 0x0C00 0000 - 0x0C07 FFFF<br><br>Otherwise boot address forced to RSS | If boot is configured for NSBOOTADD0 and NSBOOTADD0 in the range 0x0800 0000 - 0x0807 FFFF: boot at the address stored in NSBOOTADD0<br><br>If boot is configured for NSBOOTADD1 and NSBOOTADD1 in the range 0x0800 0000 - 0x0807 FFFF: boot at the address stored in NSBOOTADD1<br><br>Otherwise boot address is forced at 0x0800 0000 |

### 3.7 Global TrustZone controller (GTZC)

The GTZC includes three different sub-blocks:

- **TZSC:** TrustZone® security controller  
 This sub-block defines the secure/privilege state of slave/master peripherals. It also controls the non-secure area size for the watermark memory peripheral controller (MPCWM). The TZSC block informs some peripherals (such as RCC or GPIOs) about the secure status of each securable peripheral, by sharing with RCC and I/O logic.
- 1. **MPCBB:** block-based memory protection controller  
 This sub-block controls secure states of all blocks (256-byte pages) of the associated SRAM.
- 2. **TZIC:** TrustZone illegal access controller  
 This sub-block gathers all illegal access events in the system and generates a secure interrupt towards NVIC.

These sub-blocks are used to configure TrustZone and privileged attributes within the full system.

The GTZC main features are:

- 3 independent 32-bit AHB interface for TZSC, MPCBB and TZIC
- MPCBB and TZIC accessible only with secure transactions
- Secure and non-secure access supported for priv/non-priv part of TZSC
- Register set to define security settings:
  - Secure blocks for internal SRAM
  - Non-secure regions for external memories
  - Secure/privilege access mode for securable and TZ-aware peripherals
- Secure/privilege access mode for securable legacy masters.

### 3.8 TrustZone security architecture

The security architecture is based on Arm® TrustZone® with the Armv8-M Main Extension. The TrustZone security is activated by the TZEN option bit in the FLASH\_OPTR register.

When the TrustZone is enabled, the SAU (security attribution unit) and IDAU (implementation defined attribution unit) defines the access permissions based on secure and non-secure state.

- SAU: Up to 8 SAU configurable regions are available for security attribution.
- IDAU: It provides a first memory partition as non-secure or non-secure callable attributes. It is then combined with the results from the SAU security attribution and the higher security state is selected.

Based on IDAU security attribution, the Flash, system SRAMs and peripherals memory space is aliased twice for secure and non-secure state. However, the external memories space is not aliased.

Table 6 shows an example of typical SAU regions configuration based on IDAU regions. The user can split and choose the secure, non-secure or NSC regions for external memories as needed.

**Table 6. Example of memory map security attribution vs SAU configuration regions<sup>(1) (2)</sup>**

| Region description       | Address range              | IDAU security attribution | SAU security attribution typical configuration | Final security attribution  |            |
|--------------------------|----------------------------|---------------------------|--|-----------------------------|------------|
| Code - external memories | 0x0000_0000<br>0x07FF_FFFF | Non-secure                | Secure or non-secure or NSC                    | Secure or non-secure or NSC |            |
| Code - Flash and SRAM    | 0x0800_0000<br>0x0BFF_FFFF | Non-secure                | Non-secure                                     | Non-secure                  |            |
|                          | 0x0C00_0000<br>0x0FFF_FFFF | NSC                       | Secure or NSC                                  | Secure or NSC               |            |
| Code - external memories | 0x1000_0000<br>0x17FF_FFFF | Non-secure                | Non-secure                                     |                             |            |
|                          | 0x1800_0000<br>0x1FFF_FFFF |                           |  |                             |            |
| SRAM                     | 0x2000_0000<br>0x2FFF_FFFF | Non-secure                |  |                             | Non-secure |
|                          | 0x3000_0000<br>0x3FFF_FFFF | NSC                       | Secure or NSC                                  | Secure or NSC               |            |
| Peripherals              | 0x4000_0000<br>0x4FFF_FFFF | Non-secure                | Non-secure                                     | Non-secure                  |            |
|                          | 0x5000_0000<br>0x5FFF_FFFF | NSC                       | Secure or NSC                                  | Secure or NSC               |            |
| External memories        | 0x6000_0000<br>0xDFFF_FFFF | Non-secure                | Secure or non-secure or NSC                    | Secure or non-secure or NSC |            |

1. NSC = non-secure callable.

- 2. Different colors highlights the different configurations  
Pink: Non-secure  
Green: NSC (non-secure callable)  
Lighter green: Secure or non-secure or NSC

### 3.8.1 TrustZone peripheral classification

When the TrustZone security is active, a peripheral can be either Securable or TrustZone-aware type as follows:

- **Securable:** a peripheral is protected by an AHB/APB firewall gate that is controlled from TZSC controller to define security properties.
- **TrustZone-aware:** a peripheral connected directly to AHB or APB bus and is implementing a specific TrustZone behavior such as a subset of registers being secure.

The tables below summarize the list of Securable and TrustZone aware peripherals within the system.

**Table 7. Securable peripherals by TZSC**

| Bus   | Peripheral         |
|-------|--------------------|
| AHB3  | OCTOSPI1 registers |
|       | FMC registers      |
| AHB 2 | SDMMC1             |
|       | RNG                |
|       | HASH               |
|       | AES                |
|       | ADC                |
| AHB1  | ICACHE registers   |
|       | TSC                |
|       | CRC                |
| APB2  | DFSDM1             |
|       | SAI2               |
|       | SAI1               |
|       | TIM17              |
|       | TIM16              |
|       | TIM15              |
|       | USART1             |
|       | TIM8               |
|       | SPI1               |
|       | TIM1               |
|       | COMP               |
|       | VREFBUF            |

**Table 7. Securable peripherals by TZSC (continued)**

| Bus  | Peripheral |
|------|------------|
| APB1 | UCPD1      |
|      | USB FS     |
|      | FDCAN1     |
|      | LPTIM3     |
|      | LPTIM2     |
|      | I2C4       |
|      | LPUART1    |
|      | LPTIM1     |
|      | OPAMP      |
|      | DAC1       |
|      | CRS        |
|      | I2C3       |
|      | I2C2       |
|      | I2C1       |
|      | UART5      |
|      | UART4      |
|      | USART3     |
|      | USART2     |
|      | SPI3       |
|      | SPI2       |
|      | IWDG       |
|      | WWDG       |
|      | TIM7       |
|      | TIM6       |
|      | TIM5       |
|      | TIM4       |
|      | TIM3       |
|      | TIM2       |



Table 8. TrustZone-aware peripherals

| Bus  | Peripheral   |
|------|--------------|
| AHB2 | GPIOH        |
|      | GPIOG        |
|      | GPIOF        |
|      | GPIOE        |
|      | GIPIOD       |
|      | GPIOC        |
|      | GPIOB        |
|      | GPIOA        |
| AHB2 | OTFDEC1      |
| AHB1 | MPCBB2       |
|      | MPCBB1       |
|      | MPCWM2       |
|      | MPCWM1       |
|      | TZIC         |
|      | TZSC         |
|      | EXTI         |
|      | Flash memory |
|      | RCC          |
|      | DMAMUX1      |
|      | DMA2         |
|      | DMA1         |
|      | APB2         |
| APB1 | PWR          |
|      | RTC          |

### Default TrustZone security state

The default system security state is:

- CPU:
  - Cortex<sup>®</sup>-M33 is in secure state after reset. The boot address must be in secure address.
- Memory map:
  - SAU: is fully secure after reset. Consequently, all memory map is fully secure. Up to 8 SAU configurable regions are available for security attribution.
- Flash:
  - Flash security area is defined by watermark user options.
  - Flash block based area is non-secure after reset.
- SRAMs:
  - All SRAMs are secure after reset. MPCBB (memory protection block based controller) is secure.
- External memories:
  - FSMC, OCTOSPI banks are secure after reset. MPCWMx (memory protection watermark based controller) are secure
- Peripherals
  - Securable peripherals are non-secure after reset.
  - TrustZone-aware peripherals (except the GPIO) are non-secure after reset. Their secure configuration registers are secure.

*Note:* Refer to [Table 7](#) and [Table 8](#) for a list of Securable and TrustZone-aware peripherals.

- All GPIO are secure after reset.
- Interrupts:
  - NVIC: All interrupts are secure after reset. NVIC is banked for secure and non-secure state.
  - TZIC: All illegal access interrupts are disabled after reset.

## 3.9 Power supply management

The power controller (PWR) main features are:

- Power supplies and supply domains
  - Core domains (VCORE)
  - VDD domain
  - Backup domain (VBAT)
  - Analog domain (VDDA)
  - VDDIO2 domain
  - VDDUSB for USB transceiver
- System supply voltage regulation
  - SMPS step down converter
  - Voltage regulator (LDO)
- Power supply supervision
  - POR/PDR monitor
  - BOR monitor
  - PVD monitor
  - PVM monitor (VDDA, VDDUSB, VDDIO2)
  - Temperature thresholds monitor
  - Upper VDD voltage threshold monitor
- Power management
  - Operating modes
  - Voltage scaling control
  - Low-power modes
- VBAT battery charging
- TrustZone security

### 3.9.1 Power supply schemes

The devices require a 1.71 V to 3.6 V  $V_{DD}$  operating voltage supply. Several independent supplies can be provided for specific peripherals:

- $V_{DD} = 1.71 \text{ V to } 3.6 \text{ V}$ 

$V_{DD}$  is the external power supply for the I/Os, the internal regulator and the system analog such as reset, power management and internal clocks. It is provided externally through the VDD pins.
- $V_{DDA} = 1.62 \text{ V (ADCs/COMP)} / 1.8 \text{ V (DACs/OPAMP)} \text{ to } 2.4 \text{ V (VREFBUF)} \text{ to } 3.6 \text{ V}$ 

$V_{DDA}$  is the external analog power supply for A/D converters, D/A converters, voltage reference buffer, operational amplifiers and comparators. The  $V_{DDA}$  voltage level is independent from the  $V_{DD}$  voltage and should preferably be connected to  $V_{DD}$  when these peripherals are not used.

- $V_{DDSMPS} = 1.71\text{ V to }3.6\text{ V}$   
 $V_{DDSMPS}$  is the external power supply for the SMPS step down converter. It is provided externally through  $V_{DDSMPS}$  supply pin, and shall be connected to the same supply as  $V_{DD}$ .
- $V_{LXSMPS}$  is the switched SMPS step down converter output.
- $V_{15SMPS}$  are the power supply for the system regulator. It is provided externally through the SMPS step down converter  $V_{LXSMPS}$  output.

*Note:* The SMPS power supply pins are available only on a specific package with SMPS step down converter option.

- $V_{DD12} = 1.05\text{ to }1.32\text{ V}$   
 $V_{DD12}$  is the external power supply bypassing the internal regulator when connected to an external SMPS. It is provided externally through  $V_{DD12}$  pins and only available on packages with the external SMPS supply option.  $V_{DD12}$  does not require any external decoupling capacitance and cannot support any external load.
- $V_{DDUSB} = 3.0\text{ V to }3.6\text{ V}$   
 $V_{DDUSB}$  is the external independent power supply for USB transceivers. The  $V_{DDUSB}$  voltage level is independent from the  $V_{DD}$  voltage and should preferably be connected to  $V_{DD}$  when the USB is not used.
- $V_{DDIO2} = 1.08\text{ V to }3.6\text{ V}$
- $V_{DDIO2}$  is the external power supply for 14 I/Os (port G[15:2]). The  $V_{DDIO2}$  voltage level is independent from the  $V_{DD}$  voltage and should preferably be connected to  $V_{DD}$  when PG[15:2] are not used.
- $V_{BAT} = 1.55\text{ V to }3.6\text{ V}$   
 $V_{BAT}$  is the power supply for RTC, external clock 32 kHz oscillator and backup registers (through power switch) when  $V_{DD}$  is not present.
- $V_{REF-}$ ,  $V_{REF+}$   
 $V_{REF+}$  is the input reference voltage for ADCs and DACs. It is also the output of the internal voltage reference buffer when enabled.  
 When  $V_{DDA} < 2\text{ V}$   $V_{REF+}$  must be equal to  $V_{DDA}$ .  
 When  $V_{DDA} \geq 2\text{ V}$   $V_{REF+}$  must be between 2 V and  $V_{DDA}$ .  
 $V_{REF+}$  can be grounded when ADC and DAC are not active.  
 The internal voltage reference buffer supports two output voltages, which are configured with VRS bit in the VREFBUF\_CSR register:
  - $V_{REF+}$  around 2.048 V. This requires  $V_{DDA}$  equal to or higher than 2.4 V.
  - $V_{REF+}$  around 2.5 V. This requires  $V_{DDA}$  equal to or higher than 2.8 V. $V_{REF-}$  and  $V_{REF+}$  pins are not available on all packages. When not available, they are bonded to  $V_{SSA}$  and  $V_{DDA}$ , respectively.  
 When the  $V_{REF+}$  is double-bonded with  $V_{DDA}$  in a package, the internal voltage reference buffer is not available and must be kept disabled (refer to datasheet for packages pinout description).  
 $V_{REF-}$  must always be equal to  $V_{SSA}$ .

An embedded linear voltage-regulator is used to supply the internal digital power  $V_{CORE}$ .  $V_{CORE}$  is the power supply for digital peripherals, SRAM1 and SRAM2. The Flash is supplied by  $V_{CORE}$  and  $V_{DD}$ .

Figure 2. STM32L562xx power supply overview

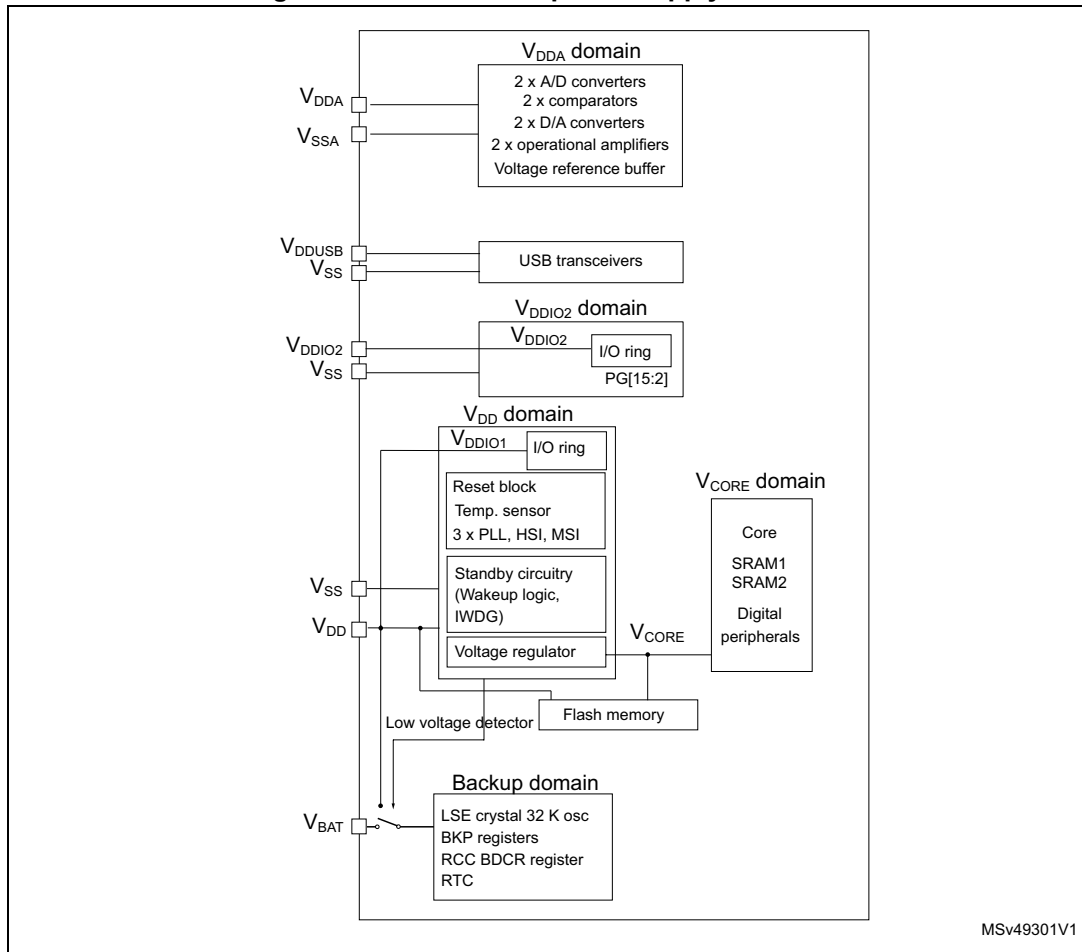


Figure 3. STM32L562xxxxP power supply overview

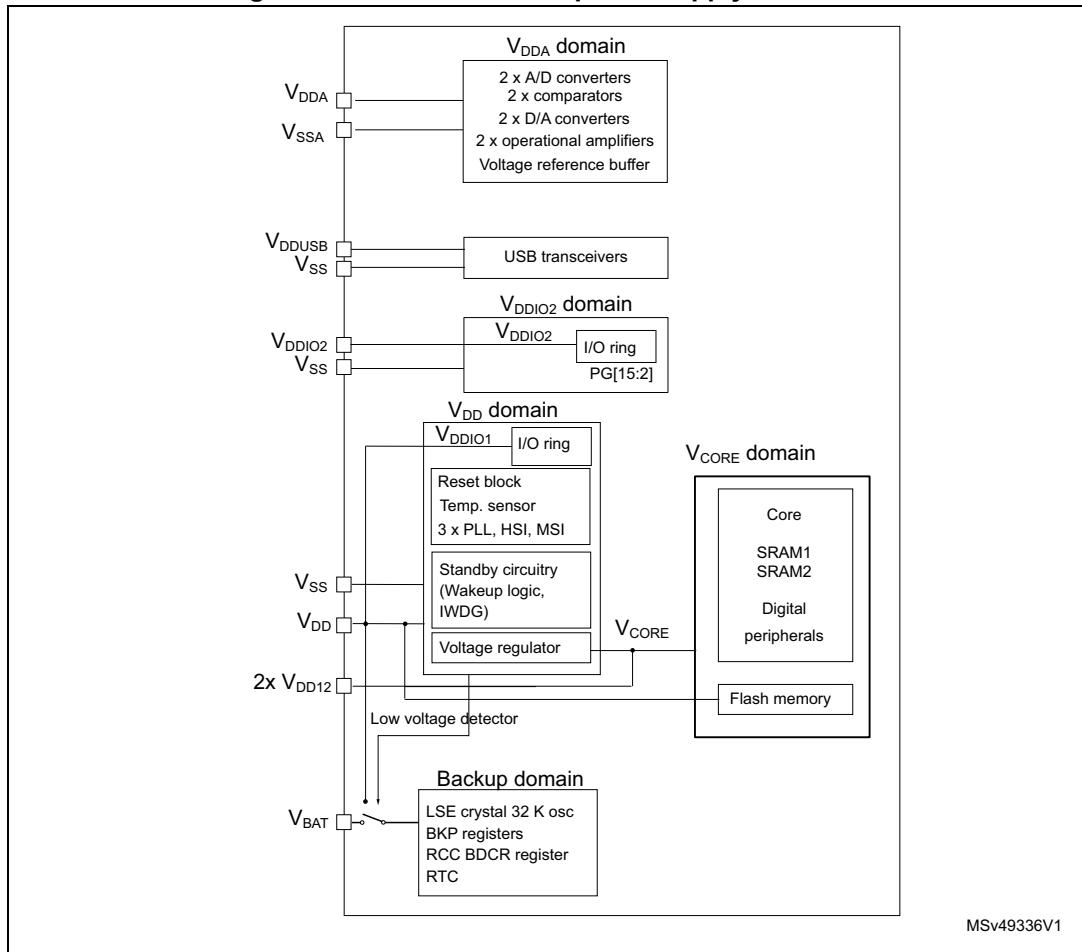
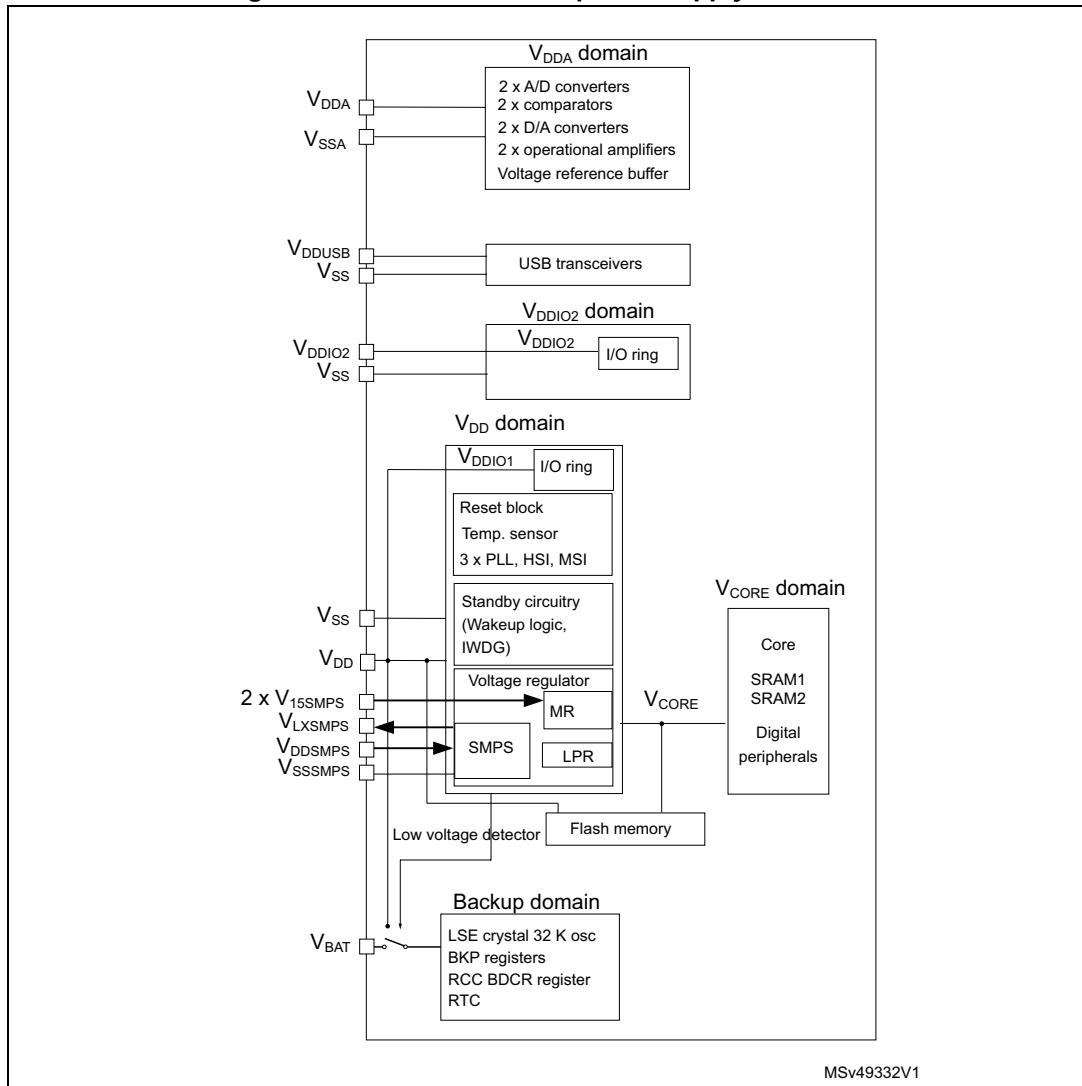


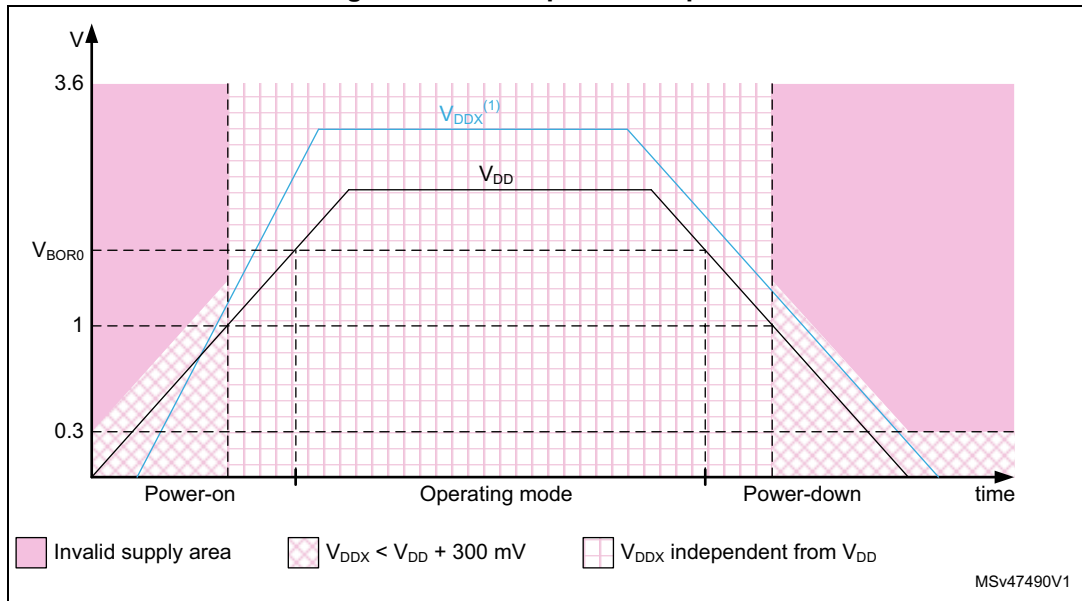
Figure 4. STM32L562xxxxQ power supply overview



During power-up and power-down phases, the following power sequence requirements must be respected:

- When V<sub>DD</sub> is below 1 V, other power supplies (V<sub>DDA</sub>, V<sub>DDIO2</sub> and V<sub>DDUSB</sub>) must remain below V<sub>DD</sub> +300 mV.
- When V<sub>DD</sub> is above 1 V, all power supplies are independent.
- During the power-down phase, V<sub>DD</sub> can temporarily become lower than other supplies only if the energy provided to the MCU remains below 1 mJ; this allows external decoupling capacitors to be discharged with different time constants during the power-down transient phase.

Figure 5. Power-up/down sequence



1.  $V_{DDX}$  refers to any power supply among  $V_{DDA}$ ,  $V_{DDIO2}$  and  $V_{DDUSB}$ .

### 3.9.2 Power supply supervisor

The devices have an integrated ultra-low-power Brownout reset (BOR) active in all modes (except for Shutdown mode). The BOR ensures proper operation of the devices after power-on and during power down. The devices remain in reset mode when the monitored supply voltage  $V_{DD}$  is below a specified threshold, without the need for an external reset circuit.

The lowest BOR level is 1.71 V at power on, and other higher thresholds can be selected through option bytes. The devices feature an embedded programmable voltage detector (PVD) that monitors the  $V_{DD}$  power supply and compares it to the  $VPVD$  threshold.

An interrupt can be generated when  $V_{DD}$  drops below the  $VPVD$  threshold and/or when  $V_{DD}$  is higher than the  $VPVD$  threshold. The interrupt service routine can then generate a warning message and/or put the MCU into a safe state. The PVD is enabled by software.

In addition, the devices embed a peripheral voltage monitor which compares the independent supply voltages  $V_{DDA}$ ,  $V_{DDUSB}$ ,  $V_{DDIO2}$  with a fixed threshold in order to ensure that the peripheral is in its functional supply range.

### 3.9.3 Voltage regulator

Two embedded linear voltage regulators supply most of the digital circuitries: the main regulator (MR) and the low-power regulator (LPR).

- The MR is used in the Run and Sleep modes and in the Stop 0 mode.
- The LPR is used in Low-power run, Low-power sleep, Stop 1 and Stop 2 modes. It is also used to supply the 64 Kbytes or only 4 Kbytes of SRAM2 in standby with SRAM2 retention.
- Both regulators are in power-down while they are in standby and Shutdown modes: the regulator output is in high impedance, and the kernel circuitry is powered down thus inducing zero consumption.



The ultra-low-power STM32L562xx devices support dynamic voltage scaling to optimize its power consumption in Run mode. The voltage from the main regulator that supplies the logic (VCORE) can be adjusted according to the system's maximum operating frequency.

The main regulator operates in the following ranges:

- Range 0 with the CPU running at up to 110 MHz.
- Range 1 with the CPU running at up to 80 MHz.
- Range 2 with a maximum CPU frequency of 26 MHz. All peripheral clocks are also limited to 26 MHz.

The VCORE can be supplied by the low-power regulator, the main regulator being switched off. The system is then in Low-power run mode.

- Low-power run mode with the CPU running at up to 2 MHz. Peripherals with independent clock can be clocked by the HSI16.

### 3.9.4 SMPS step down converter

The built-in SMPS step down converter is a highly power-efficient DC/DC non-linear switching regulator that improves low-power performance when the VDD voltage is high enough. This SMPS step down converter automatically enters in bypass mode when the VDD voltage falls below 2 V in Range 0 and Range 1.

*Note:* There is no automatic SMPS bypass in Range 2.

The SMPS step down converter can be configured in:

- High-power mode (HPM): achieving a high efficiency at high current load. It is the default selected mode after POR reset.
- Low power mode achieving very high efficiency at low load
- Bypass mode

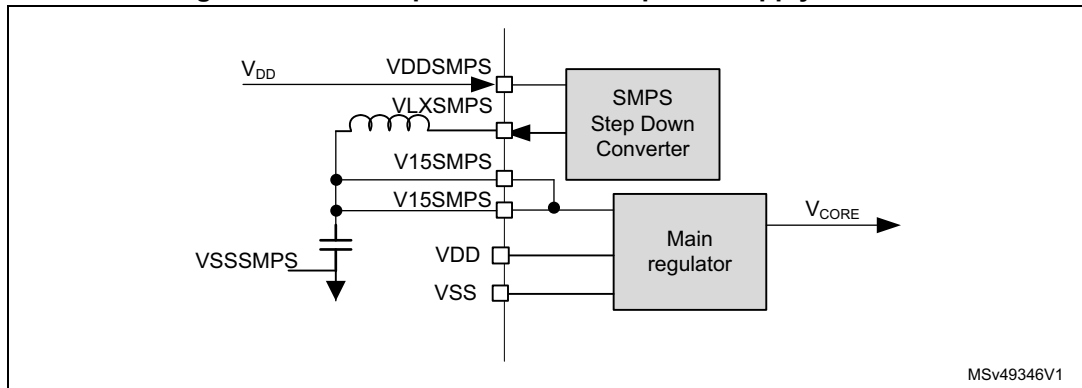
The SMPS step down converter can be switched in bypass mode at any time by the application software.

*Note:* The SMPS step down converter is available only on specific package.

#### SMPS step down converter power supply scheme

The SMPS step down converter requires an external coil with typical value of 4.7  $\mu\text{H}$  to be connected between the VLXSMPS and the V15SMPS pins and a 4.7 $\mu\text{F}$  capacitor to be connected between the V15SMPS to VSSSMPS pins. It can be switched OFF by selecting the Bypass mode by software. Thus, only main regulator is used by the application.

Figure 6. SMPS step down converter power supply scheme



If the selected package is with the SMPS step down converter option but it is never used by the application, it is recommend to set the SMPS power supply pins as follows:

- $V_{DDSMPS}$  and  $V_{LXSMPS}$  connected to VSS
- $V_{15SMPS}$  connected to VDD

Table 9. SMPS external components

| Component | Description                          | Value       |
|-----------|--------------------------------------|-------------|
| C         | SMPS output capacitor <sup>(1)</sup> | 4.7 $\mu$ F |
| L         | SMPS inductance <sup>(2)</sup>       | 4.7 $\mu$ H |

1. For example GRM155R60J475ME87J and GRM21BR71E475KA73L.

2. For example TDK MLP2016H4R7MT.

### SMPS step down converter fast startup

After POR reset, the SMPS step down converter starts in High-power mode and in Low startup mode. The low-startup feature is selected to limit the inrush current after power-on reset.

However, it is possible to configure a faster startup on the fly and it is applied for next startup either after a system reset or wakeup from low-power mode except Shutdown and VBAT modes. The fast startup is selected by setting the SMPSFSTEN bit in the PWR\_CR4 register.



### 3.9.5 Low-power modes

The ultra-low-power STM32L562xx devices support seven low-power modes to achieve the best compromise between low-power consumption, short startup time, available peripherals and available wake-up sources. [Table 11](#) shows the related STM32L562xx modes overview.

**Table 10. STM32L562xx modes overview**

| Mode                  | Regulator and SMPS mode <sup>(1)</sup> | CPU | Flash             | SRAM              | Clocks            | DMA and Peripherals <sup>(2)</sup>   | Wakeup source  |
|-----------------------|--|-----|-------------------|-------------------|-------------------|--|--|
| Run                   | Ranges 0/1<br>SMPS HP mode             | Yes | ON <sup>(3)</sup> | ON                | Any               | All  | N/A  |
|                       | Range 2<br>SMPS LP or HP mode          |     |                   |                   |                   | All except USB_FS, RNG   |  |
| LPRun                 | LPR                                    | Yes | ON <sup>(3)</sup> | ON                | Any<br>except PLL | All except USB_FS, RNG   | N/A  |
| Sleep                 | Ranges 0/1<br>SMPS HP mode             | No  | ON <sup>(3)</sup> | ON <sup>(4)</sup> | Any               | All  | Any interrupt or event   |
|                       | Range 2<br>SMPS LP or HP mode          |     |                   |                   |                   | All except USB_FS, RNG   |  |
| LPSleep               | LPR                                    | No  | ON <sup>(3)</sup> | ON <sup>(4)</sup> | Any<br>except PLL | All except USB_FS, RNG   | Any interrupt or event   |
| Stop 0 <sup>(5)</sup> | Ranges 0/1/2                           | No  | Off               | ON                | LSE<br>LSI        | BOR, PVD, PVM<br>RTC, IWDG<br>COMPx (x=1,2)<br>DAC1<br>OPAMPx (x=1,2)<br>USARTx (x=1...5) <sup>(6)</sup><br>LPUART1 <sup>(6)</sup><br>I2Cx (x=1...4) <sup>(7)</sup><br>LPTIMx (x=1,2)<br>***<br>All other peripherals are frozen | Reset pin, all I/Os<br>BOR, PVD, PVM<br>RTC, IWDG<br>COMPx (x=1..2)<br>USARTx (x=1...5) <sup>(6)</sup><br>LPUART1 <sup>(6)</sup><br>I2Cx (x=1...4) <sup>(7)</sup><br>LPTIMx (x=1,2)<br>USB_FS <sup>(8)</sup> |

**Table 10. STM32L562xx modes overview (continued)**

| Mode   | Regulator and SMPS mode <sup>(1)</sup> | CPU | Flash | SRAM | Clocks     | DMA and Peripherals <sup>(2)</sup>   | Wakeup source  |
|--------|--|-----|-------|------|------------|--|--|
| Stop 1 | LPR                                    | No  | Off   | ON   | LSE<br>LSI | BOR, PVD, PVM<br>RTC, IWDG<br>COMPx (x=1,2)<br>DAC1<br>OPAMPx (x=1,2)<br>USARTx (x=1...5) <sup>(6)</sup><br>LPUART1 <sup>(6)</sup><br>I2Cx (x=1...4) <sup>(7)</sup><br>LPTIMx (x=1,2)<br>***<br>All other peripherals are frozen | Reset pin, all I/Os<br>BOR, PVD, PVM<br>RTC, IWDG<br>COMPx (x=1..2)<br>USARTx (x=1...5) <sup>(6)</sup><br>LPUART1 <sup>(6)</sup><br>I2Cx (x=1...4) <sup>(7)</sup><br>LPTIMx (x=1,2)<br>USB_FS <sup>(8)</sup> |
| Stop 2 | LPR                                    | No  | Off   | ON   | LSE<br>LSI | BOR, PVD, PVM<br>RTC, IWDG<br>COMPx (x=1..2)<br>I2C3 <sup>(7)</sup><br>LPUART1 <sup>(6)</sup><br>LPTIMx (x= 1,3)<br>***<br>All other peripherals are frozen  | Reset pin, all I/Os<br>BOR, PVD, PVM<br>RTC, IWDG<br>COMPx (x=1..2)<br>I2C3 <sup>(7)</sup><br>LPUART1 <sup>(6)</sup><br>LPTIMx (x= 1,3)  |



Table 10. STM32L562xx modes overview (continued)

| Mode     | Regulator and SMPS mode <sup>(1)</sup> | CPU         | Flash | SRAM        | Clocks     | DMA and Peripherals <sup>(2)</sup>  | Wakeup source  |
|----------|--|-------------|-------|-------------|------------|---|--|
| Standby  | LPR                                    | Powered Off | Off   | SRAM2 ON    | LSE<br>LSI | BOR, RTC, IWDG<br>***   | Reset pin<br>5 I/Os (WKUPx) <sup>(9)</sup><br>BOR, RTC, IWDG |
|          | OFF                                    |             |       | Powered Off |            | All other peripherals are powered off<br>***<br>I/O configuration can be floating, pull-up or pull-down                               |  |
| Shutdown | OFF                                    | Powered Off | Off   | Powered Off | LSE        | RTC<br>***<br>All other peripherals are powered off<br>***<br>I/O configuration can be floating, pull-up or pull-down <sup>(10)</sup> | Reset pin<br>5 I/Os (WKUPx) <sup>(9)</sup><br>RTC            |

- LPR means Main regulator is OFF and Low-power regulator is ON.
- All peripherals can be active or clock gated to save power consumption.
- The Flash memory can be put in power-down and its clock can be gated off when executing from SRAM.
- The SRAM1 and SRAM2 clocks can be gated on or off independently.
- SMPS mode can be used in Stop 0 mode, but no significant power gain can be expected.
- U(S)ART and LPUART reception is functional in Stop mode, and generates a wakeup interrupt on Start, address match or received frame event.
- I2C address detection is functional in Stop mode, and generates a wakeup interrupt in case of address match.
- USB\_FS wakeup by resume from suspend and attach detection protocol event.
- The I/Os with wakeup from Standby/Shutdown capability are: PA0, PC13, PE6, PA2, PC5.
- I/Os can be configured with internal pull-up, pull-down or floating in Shutdown mode but the configuration is lost when exiting the Shutdown mode.

By default, the microcontroller is in Run mode after a system or a power reset. It is up to the user to select one of the low-power modes described below:

- **Sleep mode**

In Sleep mode, only the CPU is stopped. All peripherals continue to operate and can wake up the CPU when an interrupt/event occurs.

- **Low-power run mode**

This mode is achieved with VCORE supplied by the low-power regulator to minimize the regulator's operating current. The code can be executed from SRAM or from Flash, and the CPU frequency is limited to 2 MHz. The peripherals with independent clock can be clocked by HSI16.

- **Low-power sleep mode**

This mode is entered from the Low-power run mode. Only the CPU clock is stopped. When wakeup is triggered by an event or an interrupt, the system reverts to the Low-power run mode.

- **Stop 0, Stop 1 and Stop 2 modes**

Stop mode achieves the lowest power consumption while retaining the content of SRAM and registers. All clocks in the VCORE domain are stopped, the PLL, the MSI RC, the HSI16 RC and the HSE crystal oscillators are disabled. The LSE or LSI is still running.

The RTC can remain active (Stop mode with RTC, Stop mode without RTC).

Some peripherals with wake-up capability can enable the HSI16 RC during Stop mode to detect their wake-up condition.

Three Stop modes are available: Stop 0, Stop 1 and Stop 2 modes. In Stop 2 mode, most of the VCORE domain is put in a lower leakage mode.

Stop 1 offers the largest number of active peripherals and wakeup sources, a smaller wakeup time but a higher consumption than Stop 2. In Stop 0 mode, the main regulator remains ON, allowing a very fast wakeup time but with much higher consumption.

The system clock when exiting from Stop 0, Stop 1 or Stop 2 modes can be either MSI up to 48 MHz or HSI16, depending on software configuration.

- **Standby mode**

The Standby mode is used to achieve the lowest power consumption with BOR. The internal regulator is switched off so that the VCORE domain is powered off. The PLL, the MSI RC, the HSI16 RC and the HSE crystal oscillators are also switched off.

The RTC can remain active (Standby mode with RTC, Standby mode without RTC).

The Brownout reset (BOR) always remains active in Standby mode.

The state of each I/O during Standby mode can be selected by software: I/O with internal pull-up, internal pull-down or floating.

After entering Standby mode, SRAM1 and register contents are lost except for registers in the Backup domain and Standby circuitry. Optionally, the full SRAM2 or 4 Kbytes can be retained in Standby mode, supplied by the low-power regulator (standby with RAM2 retention mode).

The BORL (brown out detector low) can be configured in ultra-low-power mode to further reduce power consumption during standby mode.

The device exits Standby mode when an external reset (NRST pin), an IWDG reset, WKUP pin event (configurable rising or falling edge), or an RTC event occurs (alarm, periodic wakeup, timestamp, tamper) or a failure is detected on LSE (CSS on LSE).

The system clock after wakeup is MSI up to 8 MHz.

- **Shutdown mode**

The Shutdown mode allows to achieve the lowest power consumption. The internal regulator is switched off so that the VCORE domain is powered off. The PLL, the HSI16, the MSI, the LSI and the HSE oscillators are also switched off.

The RTC can remain active (Shutdown mode with RTC, Shutdown mode without RTC).

The BOR is not available in Shutdown mode. No power voltage monitoring is possible in this mode, therefore the switch to Backup domain is not supported.

SRAM1, SRAM2 and register contents are lost except for registers in the Backup domain.

The device exits Shutdown mode when an external reset (NRST pin), a WKUP pin event (configurable rising or falling edge), or an RTC event occurs (alarm, periodic wakeup, timestamp, tamper).

The system clock after wakeup is MSI at 4 MHz.

Table 11. Functionalities depending on the working mode<sup>(1)</sup>

| Peripheral                                   | Run              | Sleep            | Low-power run    | Low-power sleep  | Stop 0/1 |                   | Stop 2 |                   | Standby          |                   | Shutdown |                   | VBAT |
|--|------------------|------------------|------------------|------------------|----------|-------------------|--------|-------------------|------------------|-------------------|----------|-------------------|------|
|  |                  |                  |                  |                  | -        | Wakeup capability | -      | Wakeup capability | -                | Wakeup capability | -        | Wakeup capability |      |
| CPU  | Y                | -                | Y                | -                | -        | -                 | -      | -                 | -                | -                 | -        | -                 | -    |
| Flash memory (512 Kbyte)                     | O <sup>(2)</sup> | O <sup>(2)</sup> | O <sup>(2)</sup> | O <sup>(2)</sup> | -        | -                 | -      | -                 | -                | -                 | -        | -                 | -    |
| SRAM1 (192 Kbytes)                           | Y                | Y <sup>(3)</sup> | Y                | Y <sup>(3)</sup> | Y        | -                 | Y      | -                 | -                | -                 | -        | -                 | -    |
| SRAM2 (64 Kbytes)                            | Y                | Y <sup>(3)</sup> | Y                | Y <sup>(3)</sup> | Y        | -                 | Y      | -                 | O <sup>(4)</sup> | -                 | -        | -                 | -    |
| FSMC   | O                | O                | O                | O                | -        | -                 | -      | -                 | -                | -                 | -        | -                 | -    |
| OCTOSPI                                      | O                | O                | O                | O                | -        | -                 | -      | -                 | -                | -                 | -        | -                 | -    |
| OTFDEC                                       | O                | O                | O                | O                | -        | -                 | -      | -                 | -                | -                 | -        | -                 | -    |
| Backup registers                             | Y                | Y                | Y                | Y                | Y        | -                 | Y      | -                 | Y                | -                 | Y        | -                 | Y    |
| Brownout reset (BOR)                         | Y                | Y                | Y                | Y                | Y        | Y                 | Y      | Y                 | Y                | Y                 | -        | -                 | -    |
| Programmable voltage detector (PVD)          | O                | O                | O                | O                | O        | O                 | O      | O                 | -                | -                 | -        | -                 | -    |
| Peripheral voltage monitor (PVMx; x=1,2,3,4) | O                | O                | O                | O                | O        | O                 | O      | O                 | -                | -                 | -        | -                 | -    |
| DMA  | O                | O                | O                | O                | -        | -                 | -      | -                 | -                | -                 | -        | -                 | -    |
| High speed internal (HSI16)                  | O                | O                | O                | O                | (5)      | -                 | (5)    | -                 | -                | -                 | -        | -                 | -    |
| Oscillator HSI48                             | O                | O                | -                | -                | -        | -                 | -      | -                 | -                | -                 | -        | -                 | -    |
| High speed external (HSE)                    | O                | O                | O                | O                | -        | -                 | -      | -                 | -                | -                 | -        | -                 | -    |
| Low speed internal (LSI)                     | O                | O                | O                | O                | O        | -                 | O      | -                 | O                | -                 | -        | -                 | -    |
| Low speed external (LSE)                     | O                | O                | O                | O                | O        | -                 | O      | -                 | O                | -                 | O        | -                 | O    |
| Multi speed internal (MSI)                   | O                | O                | O                | O                | -        | -                 | -      | -                 | -                | -                 | -        | -                 | -    |
| Clock security system (CSS)                  | O                | O                | O                | O                | -        | -                 | -      | -                 | -                | -                 | -        | -                 | -    |
| Clock security system on LSE                 | O                | O                | O                | O                | O        | O                 | O      | O                 | O                | O                 | -        | -                 | -    |



Table 11. Functionalities depending on the working mode<sup>(1)</sup> (continued)

| Peripheral   | Run              | Sleep            | Low-power run | Low-power sleep | Stop 0/1         |                   | Stop 2           |                   | Standby |                   | Shutdown |                   | VBAT |
|--|------------------|------------------|---------------|-----------------|------------------|-------------------|------------------|-------------------|---------|-------------------|----------|-------------------|------|
|  |                  |                  |               |                 | -                | Wakeup capability | -                | Wakeup capability | -       | Wakeup capability | -        | Wakeup capability |      |
| V <sub>DD</sub> voltage monitoring, temperature monitoring | 0                | 0                | 0             | 0               | 0                | 0                 | 0                | 0                 | 0       | 0                 | -        | -                 | -    |
| RTC / TAMP   | 0                | 0                | 0             | 0               | 0                | 0                 | 0                | 0                 | 0       | 0                 | 0        | 0                 | 0    |
| Number of RTC Tamper pins                                  | 8                | 8                | 8             | 8               | 8                | 0                 | 8                | 0                 | 8       | 0                 | 8        | 0                 | 3    |
| USB, UCPD  | 0 <sup>(8)</sup> | 0 <sup>(8)</sup> | -             | -               | -                | 0                 | -                | -                 | -       | -                 | -        | -                 | -    |
| USARTx (x=1,2,3,4,5)                                       | 0                | 0                | 0             | 0               | 0 <sup>(6)</sup> | 0 <sup>(6)</sup>  | -                | -                 | -       | -                 | -        | -                 | -    |
| Low-power UART (LPUART)                                    | 0                | 0                | 0             | 0               | 0 <sup>(6)</sup> | 0 <sup>(6)</sup>  | 0 <sup>(6)</sup> | 0 <sup>(6)</sup>  | -       | -                 | -        | -                 | -    |
| I2Cx (x=1,2,4)   | 0                | 0                | 0             | 0               | 0 <sup>(7)</sup> | 0 <sup>(7)</sup>  | -                | -                 | -       | -                 | -        | -                 | -    |
| I2C3   | 0                | 0                | 0             | 0               | 0 <sup>(7)</sup> | 0 <sup>(7)</sup>  | 0 <sup>(7)</sup> | 0 <sup>(7)</sup>  | -       | -                 | -        | -                 | -    |
| SPIx (x=1,2,3)   | 0                | 0                | 0             | 0               | -                | -                 | -                | -                 | -       | -                 | -        | -                 | -    |
| FDCAN1   | 0                | 0                | 0             | 0               | -                | -                 | -                | -                 | -       | -                 | -        | -                 | -    |
| SDMMC1   | 0                | 0                | 0             | 0               | -                | -                 | -                | -                 | -       | -                 | -        | -                 | -    |
| SAIx (x=1,2)   | 0                | 0                | 0             | 0               | -                | -                 | -                | -                 | -       | -                 | -        | -                 | -    |
| DFSDM1   | 0                | 0                | 0             | 0               | -                | -                 | -                | -                 | -       | -                 | -        | -                 | -    |
| ADCx (x=1,2)   | 0                | 0                | 0             | 0               | -                | -                 | -                | -                 | -       | -                 | -        | -                 | -    |
| DAC1   | 0                | 0                | 0             | 0               | 0                | -                 | -                | -                 | -       | -                 | -        | -                 | -    |
| VREFBUF  | 0                | 0                | 0             | 0               | 0                | -                 | -                | -                 | -       | -                 | -        | -                 | -    |
| OPAMPx (x=1,2)   | 0                | 0                | 0             | 0               | 0                | -                 | -                | -                 | -       | -                 | -        | -                 | -    |
| COMPx (x=1,2)  | 0                | 0                | 0             | 0               | 0                | 0                 | 0                | 0                 | -       | -                 | -        | -                 | -    |
| Temperature sensor   | 0                | 0                | 0             | 0               | -                | -                 | -                | -                 | -       | -                 | -        | -                 | -    |
| Timers (TIMx)  | 0                | 0                | 0             | 0               | -                | -                 | -                | -                 | -       | -                 | -        | -                 | -    |
| Low-power timer 1, 3 (LPTIM1 and LPTIM3)                   | 0                | 0                | 0             | 0               | 0                | 0                 | 0                | 0                 | -       | -                 | -        | -                 | -    |
| Low-power timer 2 (LPTIM2)                                 | 0                | 0                | 0             | 0               | 0                | 0                 | -                | -                 | -       | -                 | -        | -                 | -    |
| Independent watchdog (IWDG)                                | 0                | 0                | 0             | 0               | 0                | 0                 | 0                | 0                 | 0       | 0                 | -        | -                 | -    |

Table 11. Functionalities depending on the working mode<sup>(1)</sup> (continued)

| Peripheral                     | Run              | Sleep            | Low-power run | Low-power sleep | Stop 0/1 |                   | Stop 2 |                   | Standby                               |  | Shutdown |                   | VBAT |
|--------------------------------|------------------|------------------|---------------|-----------------|----------|-------------------|--------|-------------------|---------------------------------------|--|----------|-------------------|------|
|                                |                  |                  |               |                 | -        | Wakeup capability | -      | Wakeup capability | -                                     | Wakeup capability                      | -        | Wakeup capability |      |
| Window watchdog (WWDG)         | O                | O                | O             | O               | -        | -                 | -      | -                 | -                                     | -                                      | -        | -                 | -    |
| SysTick timer                  | O                | O                | O             | O               | -        | -                 | -      | -                 | -                                     | -                                      | -        | -                 | -    |
| Touch sensing controller (TSC) | O                | O                | O             | O               | -        | -                 | -      | -                 | -                                     | -                                      | -        | -                 | -    |
| Random number generator (RNG)  | O <sup>(8)</sup> | O <sup>(8)</sup> | -             | -               | -        | -                 | -      | -                 | -                                     | -                                      | -        | -                 | -    |
| AES hardware accelerator       | O                | O                | O             | O               | -        | -                 | -      | -                 | -                                     | -                                      | -        | -                 | -    |
| HASH hardware accelerator      | O                | O                | O             | O               | -        | -                 | -      | -                 | -                                     | -                                      | -        | -                 | -    |
| PKA                            | O                | O                | O             | O               | -        | -                 | -      | -                 | -                                     | -                                      | -        | -                 | -    |
| CRC calculation unit           | O                | O                | O             | O               | -        | -                 | -      | -                 | -                                     | -                                      | -        | -                 | -    |
| GPIOs                          | O                | O                | O             | O               | O        | O                 | O      | O                 | <sup>(9)</sup> 5 pins <sup>(10)</sup> | <sup>(11)</sup> 5 pins <sup>(10)</sup> | -        | -                 |      |

- Legend: Y = yes (enable). O = optional (disable by default, can be enabled by software). - = not available. Gray cells highlight the wakeup capability in each mode.
- The Flash can be configured in Power-down mode. By default, it is not in Power-down mode.
- The SRAM clock can be gated on or off.
- 4 Kbytes or full SRAM2 content is preserved depending on RRS[1:0] bits configuration in PWR\_CR3 register.
- Some peripherals with wakeup from Stop capability can request HSI16 to be enabled. In this case, HSI16 is woken up by the peripheral, and only feeds the peripheral which requested it. HSI16 is automatically put off when the peripheral does not need it anymore.
- UART and LPUART reception is functional in Stop mode, and generates a wakeup interrupt on Start, address match or received frame event.
- I2C address detection is functional in Stop mode, and generates a wakeup interrupt in case of address match.
- Voltage scaling ranges 0 and 1 only.
- I/Os can be configured with internal pull-up, pull-down or floating in Standby mode.
- The I/Os with wakeup from standby/shutdown capability are: PA0, PC13, PE6, PA2, PC5.
- I/Os can be configured with internal pull-up, pull-down or floating in Shutdown mode but the configuration is lost when exiting the Shutdown mode.

### 3.9.6 Reset mode

In order to improve the consumption under reset, the I/Os state under and after reset is “analog state” (the I/O schmitt trigger is disable). In addition, the internal reset pull-up is deactivated when the reset source is internal.



### 3.9.7 VBAT operation

The VBAT pin allows the device VBAT domain to be powered from an external battery, an external supercapacitor, or from  $V_{DD}$  when there is no external battery and when an external supercapacitor is present. The VBAT pin supplies the RTC with LSE and the backup registers. Three anti-tamper detection pins are available in VBAT mode.

The VBAT operation is automatically activated when  $V_{DD}$  is not present. An internal VBAT battery charging circuit is embedded and can be activated when  $V_{DD}$  is present.

*Note: When the microcontroller is supplied from VBAT, neither external interrupts nor RTC alarm/events exit the microcontroller from the VBAT operation.*

### 3.9.8 PWR TrustZone security

When the TrustZone security is activated by the TZEN option bit, the PWR is switched in TrustZone security mode.

The PWR TrustZone security allows to secure the following configuration:

- Low-power mode
- Wake-up (WKUP) pins
- Voltage detection and monitoring
- VBAT mode

Other PWR configuration bits are secure when:

- The system clock selection is secure in RCC, the voltage scaling (VOS) configuration is secure
- A GPIO is configured as secure, it's corresponding bit for Pull-up/Pull-down in standby mode is secure
- The RTC is secure, the backup domain write protection bit in PWR is secure.

## 3.10 Peripheral interconnect matrix

Several peripherals have direct connections between them, which allow autonomous communication between them and support the saving of CPU resources (thus power supply consumption). In addition, these hardware connections allow fast and predictable latency.

Depending on the peripherals, these interconnections can operate in Run, Sleep, Low-power run and Sleep, Stop 0, Stop 1 and Stop 2 modes. See [Table 12](#) for more details.

Table 12. STM32L562xx peripherals interconnect matrix

| Interconnect source  | Interconnect destination | Interconnect action  | Run | Sleep | Low-power run | Low-power sleep | Stop 0 / Stop 1 | Stop 2           |
|--|--------------------------|--|-----|-------|---------------|-----------------|-----------------|------------------|
| TIMx   | TIMx                     | Timers synchronization or chaining                                 | Y   | Y     | Y             | Y               | -               | -                |
|  | ADC<br>DAC1<br>DFSDM1    | Conversion triggers  | Y   | Y     | Y             | Y               | -               | -                |
|  | DMA                      | Memory to memory transfer trigger                                  | Y   | Y     | Y             | Y               | -               | -                |
|  | COMPx                    | Comparator output blanking   | Y   | Y     | Y             | Y               | -               | -                |
| COMPx  | TIM1, 8<br>TIM2, 3       | Timer input channel, trigger, break from analog signals comparison | Y   | Y     | Y             | Y               | -               | -                |
|  | LPTIMERx                 | Low-power timer triggered by analog signals comparison             | Y   | Y     | Y             | Y               | Y               | Y <sup>(1)</sup> |
| ADCx   | TIM1, 8                  | Timer triggered by analog watchdog                                 | Y   | Y     | Y             | Y               | -               | -                |
| RTC  | TIM16                    | Timer input channel from RTC events                                | Y   | Y     | Y             | Y               | -               | -                |
|  | LPTIMERx                 | Low-power timer triggered by RTC alarms or tampers                 | Y   | Y     | Y             | Y               | Y               | Y <sup>(1)</sup> |
| All clocks sources (internal and external)   | TIM2<br>TIM15, 16, 17    | Clock source used as input channel for RC measurement and trimming | Y   | Y     | Y             | Y               | -               | -                |
| USB  | TIM2                     | Timer triggered by USB SOF   | Y   | Y     | -             | -               | -               | -                |
| CSS<br>CPU (hard fault)<br>RAM (parity error)<br>Flash memory (ECC error)<br>COMPx<br>PVD<br>DFSDM1 (analog watchdog, short circuit detection) | TIM1,8<br>TIM15,16,17    | Timer break  | Y   | Y     | Y             | Y               | -               | -                |
| GPIO   | TIMx                     | External trigger   | Y   | Y     | Y             | Y               | -               | -                |
|  | LPTIMERx                 | External trigger   | Y   | Y     | Y             | Y               | Y               | Y <sup>(1)</sup> |
|  | ADC<br>DAC1<br>DFSDM1    | Conversion external trigger  | Y   | Y     | Y             | Y               | -               | -                |

1. LPTIM1 and LPTIM3 only.

### 3.11 Reset and clock controller (RCC)

The clock controller (see [Figure 7](#)) distributes the clocks coming from the different oscillators to the core and to the peripherals. It also manages the clock gating for low-power modes and ensures the clock robustness. It features:

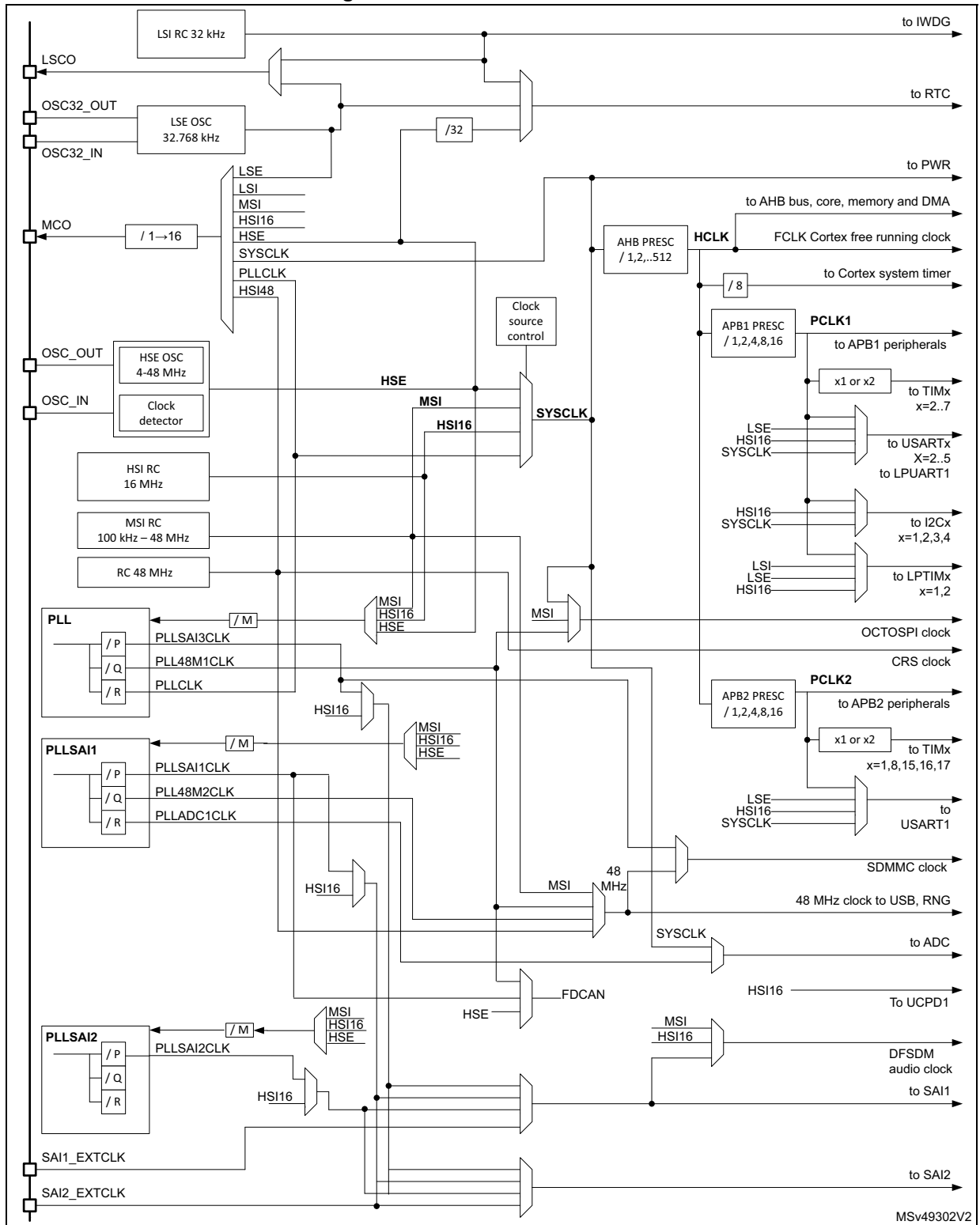
- **Clock prescaler:** to get the best trade-off between speed and current consumption, the clock frequency to the CPU and peripherals can be adjusted by a programmable prescaler.
- **Clock security system:** clock sources can be changed safely on the fly in Run mode through a configuration register.
- **Clock management:** to reduce the power consumption, the clock controller can stop the clock to the core, individual peripherals or memory.
- **System clock source:** four different clock sources can be used to drive the master clock SYSCLK:
  - 4 to 48 MHz high-speed external crystal or ceramic resonator (HSE), that can supply a PLL. The HSE can also be configured in bypass mode for an external clock.
  - 16 MHz high-speed internal RC oscillator (HSI16), trimmable by software, that can supply a PLL
  - Multispeed internal RC oscillator (MSI), trimmable by software, able to generate 12 frequencies from 100 kHz to 48 MHz. When a 32.768 kHz clock source is available in the system (LSE), the MSI frequency can be automatically trimmed by hardware to reach better than  $\pm 0.25\%$  accuracy. In this mode the MSI can feed the USB device, saving the need of an external high-speed crystal (HSE). The MSI can supply a PLL.
  - System PLL which can be fed by HSE, HSI16 or MSI, with a maximum frequency at 110 MHz.
- **RC48 with clock recovery system (HSI48):** internal 48 MHz clock source (HSI48) can be used to drive the USB, the SDMMC or the RNG peripherals. This clock can be output on the MCO.
- **UCPD kernel clock:** it is derived from HSI16 clock. The HSI16 RC oscillator must be enabled prior to the UCPD kernel clock use.
- **Auxiliary clock source:** two ultra-low-power clock sources that can be used to drive the real-time clock:
  - 32.768 kHz low-speed external crystal (LSE), supporting four drive capability modes. The LSE can also be configured in bypass mode for an external clock.
  - 32 kHz low-speed internal RC (LSI), also used to drive the independent watchdog. The LSI clock accuracy is  $\pm 5\%$  accuracy. The LSI clock can be divided by 128 to output a 250 Hz as source clock.
- **Peripheral clock sources:** several peripherals (USB, SDMMC, RNG, SAI, USARTs, I2Cs, LPTimers, ADC) have their own independent clock whatever the system clock. Three PLLs, each having three independent outputs allowing the highest flexibility, can generate independent clocks for the ADC, the USB/SDMMC/RNG and the two SAIs.
- **Startup clock:** after reset, the microcontroller restarts by default with an internal 4 MHz clock (MSI). The prescaler ratio and clock source can be changed by the application program as soon as the code execution starts.
- **Clock security system (CSS):** this feature can be enabled by software. If a HSE clock failure occurs, the master clock is automatically switched to HSI16 and a software

interrupt is generated if enabled. LSE failure can also be detected and generated an interrupt.

- Clock-out capability:
  - **MCO (microcontroller clock output)**: it outputs one of the internal clocks for external use by the application
  - **LSCO (low-speed clock output)**: it outputs LSI or LSE in all low-power modes (except VBAT).

Several prescalers allow to configure the AHB frequency, the high speed APB (APB2) and the low-speed APB (APB1) domains. The maximum frequency of the AHB and the APB domains is 110 MHz.

Figure 7. STM32L562xx clock tree



### TrustZone security

When the TrustZone security is activated by the TZEN option bit, the RCC is switched in TrustZone security mode.

The RCC TrustZone security allows to secure some RCC system configuration and peripheral configuration clock from being read or modified by non-secure accesses:

- RCC system security:
  - HSE, HSE-CSS, HSI, MSI, LSI, LSE, LSE-CSS, HSI48 configuration and status bits
  - Main PLL, PLLSAI1, PLLSAI2, AHB prescaler configuration and status bits
  - System clock SYSCLK and HSI48 source clock selection and status bits
  - MCO clock output configuration and STOPWUCK bit
  - Reset flag RMVF configuration bit
- RCC peripheral security:
  - When a peripheral is secure, the related peripheral clock, reset, clock source selection and clock enable during low power modes control bits are secure.
- A peripheral is in secure state when:
  - For securable peripherals, when it's corresponding SEC security bit is set in the TZSC (TrustZone security controller)
  - For TrustZone-aware peripherals, a security feature of this peripheral is enabled through its dedicated bits.

## 3.12 Clock recovery system (CRS)

The devices embed a special block which allows automatic trimming of the internal 48 MHz oscillator to guarantee its optimal accuracy over the whole device operational range. This automatic trimming is based on the external synchronization signal, which could be either derived from USB SOF signalization, from LSE oscillator, from an external signal on CRS\_SYNC pin or generated by user software. For faster lock-in during startup it is also possible to combine automatic trimming with manual trimming action.

## 3.13 General-purpose inputs/outputs (GPIOs)

Each of the GPIO pins can be configured by software as output (push-pull or open-drain), as input (with or without pull-up or pull-down) or as peripheral alternate function. Most of the GPIO pins are shared with digital or analog alternate functions.

After reset, all GPIOs are in Analog mode to reduce power consumption.

The I/Os alternate function configuration can be locked if needed following a specific sequence in order to avoid spurious writing to the I/Os registers.

### GPIO TrustZone security

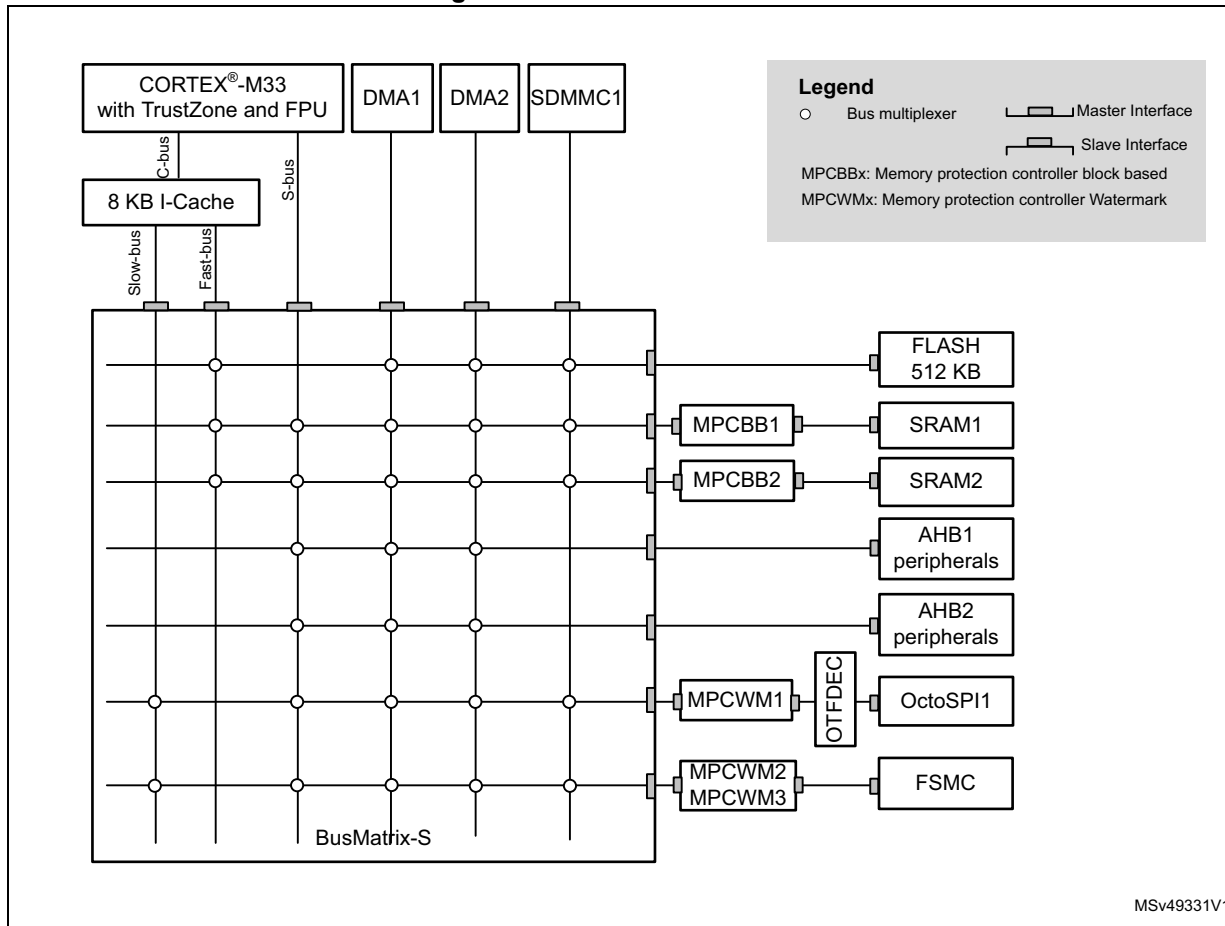
Each I/O pin of GPIO port can be individually configured as secure. When the selected I/O pin is configured as secure, its corresponding configuration bits for alternate function, mode selection, I/O data are secure against a non-secure access. The associated registers bit access is restricted to a secure software only. After reset, all GPIO ports are secure.



### 3.14 Multi-AHB bus matrix

The 32-bit multi-AHB bus matrix interconnects all the masters (CPU, DMA, SDMMC1) and the slaves (Flash memory, RAM, FMC, OCTOSPI, AHB and APB peripherals). It also ensures a seamless and efficient operation even when several high-speed peripherals work simultaneously.

Figure 8. Multi-AHB bus matrix



### 3.15 Direct memory access controller (DMA)

The device embeds 2 DMAs. Refer to [Table 13: DMA1 and DMA2 implementation](#) for the features implementation.

Direct memory access (DMA) is used in order to provide a high-speed data transfer between peripherals and memory as well as from memory to memory. Data can be quickly moved by DMA without any CPU actions. This keeps the CPU resources free for other operations.

The two DMA controllers have 16 channels in total, each one dedicated to manage memory access requests from one or more peripherals. Each controller has an arbiter for handling the priority between DMA requests.

The DMA supports 8 channels for each DMA1 and DMA2, independently configurable:

- Each channel is associated either with a DMA request signal coming from a peripheral, or with a software trigger in memory-to-memory transfers. This configuration is done by software.
- Priority between the requests is programmable by software (4 levels per channel: very high, high, medium, low) or by hardware in case of equality (such as request 1 has priority over request 2).
- Transfer size of source and destination are independent (byte, half-word, word), emulating packing and unpacking. Source and destination addresses must be aligned on the data size.
- Support of transfers from/to peripherals to/from memory with circular buffer management.
- Programmable number of data to be transferred: 0 to  $2^{18} - 1$ .
- Generation of an interrupt request per channel. Each interrupt request is caused from any of the three DMA events: transfer complete, half transfer, or transfer error.
- TrustZone support:
  - Support for AHB secure and non-secure DMA transfers, independently at a first channel level, and independently at a source and destination sub-level
  - TrustZone-aware AHB slave port, protecting any secure resource (register, register field) from a non-secure software access
- Privileged / unprivileged support:
  - Support for AHB privileged and unprivileged DMA transfers, independently at a channel level
  - Privileged-aware AHB slave port.

**Table 13. DMA1 and DMA2 implementation**

| Feature                | DMA1          | DMA2          |
|------------------------|---------------|---------------|
| Number of DMA channels | 8             | 8             |
| TrustZone              | 1 (supported) | 1 (supported) |

### 3.16 DMA request router (DMAMUX)

When a peripheral indicates a request for DMA transfer by setting its DMA request line, the DMA request is pending until it is served and the corresponding DMA request line is reset. The DMA request router allows to route the DMA control lines between the peripherals and the DMA controllers of the product.

An embedded multi-channel DMA request generator can be considered as one of such peripherals. The routing function is ensured by a multi-channel DMA request line multiplexer. Each channel selects a unique set of DMA control lines, unconditionally or synchronously with events on synchronization inputs.

DMAMUX main features

- 16-channel programmable DMA request line multiplexer output
- 4-channel DMA request generator
- 23 trigger inputs to DMA request generator
- 23 synchronization inputs
- Per DMA request generator channel:
  - DMA request trigger input selector
  - DMA request counter
  - Event overrun flag for selected DMA request trigger input
- Per DMA request line multiplexer channel output:
  - 90 input DMA request lines from peripherals
  - One DMA request line output
  - Synchronization input selector
  - DMA request counter
  - Event overrun flag for selected synchronization input
  - One event output, for DMA request chaining
- TrustZone support:
  - Support for AHB secure and non-secure DMA transfers, independently at a channel level.
  - TrustZone-aware AHB slave port, protecting any secure resource (register, register field) from a non-secure software access, with configurable interrupt event.
  - Two secure and non-secure interrupt requests, resulting from any of the respectively secure and non-secure channels. Each channel event being caused from any of the two DMAMUX input events: trigger or synchronization overrun, associated with a respectively secure and non-secure channels.
- Privileged / Unprivileged support:
  - Support for AHB privileged and unprivileged DMA transfers, independently, at a channel level.
  - Privileged-aware AHB slave port.

## 3.17 Interrupts and events

### 3.17.1 Nested vectored interrupt controller (NVIC)

The devices embed a nested vectored interrupt controller which is able to manage 8 priority levels, and to handle up to 109 maskable interrupt channels plus the 16 interrupt lines of the Cortex<sup>®</sup>-M33.

The NVIC benefits are the following:

- Closely coupled NVIC gives low latency interrupt processing
- Interrupt entry vector table address passed directly to the core
- Allows early processing of interrupts
- Processing of late arriving higher priority interrupts
- Support for tail chaining
- Processor state automatically saved
- Interrupt entry restored on interrupt exit with no instruction overhead
- TrustZone support. The NVIC registers are banked across secure and non-secure states

The NVIC hardware block provides flexible interrupt management features with minimal interrupt latency.

### 3.17.2 Extended interrupt/event controller (EXTI)

The Extended interrupts and event controller (EXTI) manages the individual CPU and system wakeup through configurable and direct event inputs. It provides wakeup requests to the power control, and generates an interrupt request to the CPU NVIC and events to the CPU event input. For the CPU an additional Event Generation block (EVG) is needed to generate the CPU event signal.

The EXTI wakeup requests allow the system to be woken up from Stop modes.

The interrupt request and event request generation can also be used in RUN modes. The EXTI also includes the EXTI mux IOport selection.

The EXTI main features are the following:

The EXTI main features are the following:

- 43 input events supported
- All event inputs allow to wake up the system.
- Events which do not have an associated wakeup flag in the peripheral, have a flag in the EXTI and generate an interrupt to the CPU from the EXTI.

The asynchronous event inputs are classified in 2 groups:

- Configurable events (signals from I/Os or peripherals able to generate a pulse)
  - Configurable events have the following features:
    - Selectable active trigger edge
    - Interrupt pending status register bit independent for the rising and falling edge.
    - Individual interrupt and event generation mask, used for conditioning the CPU wakeup, interrupt and event generation.
    - SW trigger possibility
- Direct events (interrupt and wakeup sources from peripherals having an associated flag which requiring to be cleared in the peripheral)
  - Direct events have the following features:
    - Fixed rising edge active trigger
    - No interrupt pending status register bit in the EXTI. (The interrupt pending status flag is provided by the peripheral generating the event.)
    - Individual interrupt and event generation mask, used for conditioning the CPU wakeup and event generation.
    - No SW trigger possibility
- TrustZone secure events
  - The access to control and configuration bits of secure input events can be made secure.
- EXTI IO port selection

### 3.18 Cyclic redundancy check calculation unit (CRC)

The CRC (cyclic redundancy check) calculation unit is used to get a CRC code using a configurable generator with polynomial value and size.

Among other applications, the CRC-based techniques are used to verify data transmission or storage integrity. In the scope of the EN/IEC 60335-1 standard, they offer a mean to verify the Flash memory integrity.

The CRC calculation unit helps to compute a signature of the software during runtime, which can be ulteriorly compared with a reference signature generated at link-time and which can be stored at a given memory location.

### 3.19 Flexible static memory controller (FSMC)

The flexible static memory controller (FSMC) includes two memory controllers:

- The NOR/PSRAM memory controller
- The NAND/memory controller

This memory controller is also named flexible memory controller (FMC).

The main features of the FSMC controller are the following:

- Interface with static-memory mapped devices including:
  - Static random access memory (SRAM)
  - NOR Flash memory/OneNAND Flash memory
  - PSRAM (four memory banks)
  - NAND Flash memory with ECC hardware to check up to 8 Kbytes of data
  - Ferroelectric RAM (FRAM)
- 8-,16- bit data bus width
- Independent chip select control for each memory bank
- Independent configuration for each memory bank
- Write FIFO

### LCD parallel interface

The FMC can be configured to interface seamlessly with most graphic LCD controllers. It supports the Intel 8080 and Motorola 6800 modes, and is flexible enough to adapt to specific LCD interfaces. This LCD parallel interface capability makes it easy to build cost effective graphic applications using LCD modules with embedded controllers or high-performance solutions using external controllers with dedicated acceleration.

### TrustZone security

When the TrustZone security is enabled, the whole FSMC banks are secure after reset. Non-secure area can be configured using the TZSC MPCWMx controller.

- The FSMC NOR/PSRAM bank:
  - Up to two non-secure area can be configured through the TZSC MPCWM2 controller with a granularity of 64 Kbytes.
- The FSMC NAND bank:
  - Can be either configured as fully secure or fully non-secure using the TZSC MPCWM3 controller.

The FSMC registers can be configured as secure through the TZSC controller.

## 3.20 Octo-SPI interface (OCTOSPI)

The OCTOSPI is a specialized communication interface targeting single, dual, quad or octal SPI memories. It can operate in any of the three following modes:

- Indirect mode: all the operations are performed using the OCTOSPI registers
- Status polling mode: the external memory status register is periodically read and an interrupt can be generated in case of flag setting
- Memory-mapped mode: the external memory is memory mapped and is seen by the system as if it were an internal memory supporting read and write operation

The OCTOSPI supports two frame formats:

- Classical frame format with command, address, alternate byte, dummy cycles and data phase over 1, 2, 4 or 8 data pins
- HyperBus™ frame format

The OCTOSPI offers the following features:

- Three functional modes: indirect, status-polling, and memory-mapped
- Read and write support in memory-mapped mode
- Supports for single, dual, quad and octal communication
- Dual-quad mode, where 8 bits can be sent/received simultaneously by accessing two quad memories in parallel.
- SDR and DTR support
- Data strobe support
- Fully programmable opcode for both indirect and memory mapped mode
- Fully programmable frame format for both indirect and memory mapped mode
- Each of the five following phases can be configured independently (enable, length, single/dual/quad communication)
  - Instruction phase
  - Address phase
  - Alternate bytes phase
  - Dummy cycles phase
  - Data phase
- HyperBus™ support
- Integrated FIFO for reception and transmission
- 8, 16, and 32-bit data accesses are allowed
- DMA channel for indirect mode operations
- Timeout management
- Interrupt generation on FIFO threshold, timeout, status match, operation complete, and access error

### TrustZone security

When the TrustZone security is enabled, the whole OCTOSPI bank is secure after reset.

Up to two non-secure area can be configured through the TZSC MPCWM1 controller with a granularity of 64 Kbytes.

The OCTOSPI registers can be configured as secure through the TZSC controller.

## 3.21 Analog-to-digital converter (ADC)

The device embeds two successive approximation analog-to-digital converters with the following features:

- 12-bit native resolution, with built-in calibration
- 5.33 Msps maximum conversion rate with full resolution
  - Down to 18.75 ns sampling time
  - Increased conversion rate for lower resolution (up to 8.88 Msps for 6-bit resolution)
- Up to 16 external channels
- 5 internal channels: internal reference voltage, temperature sensor, VBAT/3 and DAC1 outputs
- One external reference pin is available on some package, allowing the input voltage range to be independent from the power supply
- Single-ended and differential mode inputs
- Low-power design
  - Capable of low-current operation at low conversion rate (consumption decreases linearly with speed)
  - Dual clock domain architecture: ADC speed independent from CPU frequency
- Highly versatile digital interface
  - Single-shot or continuous/discontinuous sequencer-based scan mode: 2 groups of analog signals conversions can be programmed to differentiate background and high-priority real-time conversions
  - Each ADC support multiple trigger inputs for synchronization with on-chip timers and external signals
  - Results stored into a data register or in RAM with DMA controller support
  - Data pre-processing: left/right alignment and per channel offset compensation
  - Built-in oversampling unit for enhanced SNR
  - Channel-wise programmable sampling time
  - Analog watchdog for automatic voltage monitoring, generating interrupts and trigger for selected timers
  - Hardware assistant to prepare the context of the injected channels to allow fast context switching

### 3.21.1 Temperature sensor

The temperature sensor (TS) generates a voltage  $V_{TS}$  that varies linearly with temperature. The temperature sensor is internally connected to the ADC1\_IN17 input channels which is used to convert the sensor output voltage into a digital value.

The sensor provides good linearity but it has to be calibrated to obtain good overall accuracy of the temperature measurement. As the offset of the temperature sensor varies from chip to chip due to process variation, the uncalibrated internal temperature sensor is suitable for applications that detect temperature changes only.

To improve the accuracy of the temperature sensor measurement, each device is individually factory-calibrated by ST. The temperature sensor factory calibration data are stored by ST in the system memory area, accessible in read-only mode.



**Table 14. Temperature sensor calibration values**

| Calibration value name | Description   | Memory address            |
|------------------------|---|---------------------------|
| TS_CAL1                | TS ADC raw data acquired at a temperature of 30 °C (± 5 °C),<br>V <sub>DDA</sub> = V <sub>REF+</sub> = 3.0 V (± 10 mV)  | 0x0BFA 05A8 - 0x0BFA 05A9 |
| TS_CAL2                | TS ADC raw data acquired at a temperature of 130 °C (± 5 °C),<br>V <sub>DDA</sub> = V <sub>REF+</sub> = 3.0 V (± 10 mV) | 0x0BFA 05CA- 0x0BFA 05CB  |

### 3.21.2 Internal voltage reference (V<sub>REFINT</sub>)

The internal voltage reference (VREFINT) provides a stable (bandgap) voltage output for the ADC and the comparators. The VREFINT is internally connected to the ADC1\_IN0 input channel. The precise voltage of VREFINT is individually measured for each part by ST during production test and stored in the system memory area. It is accessible in read-only mode.

**Table 15. Internal voltage reference calibration values**

| Calibration value name | Description   | Memory address            |
|------------------------|---|---------------------------|
| VREFINT                | Raw data acquired at a temperature of 30 °C (± 5 °C),<br>V <sub>DDA</sub> = V <sub>REF+</sub> = 3.0 V (± 10 mV) | 0x0BFA 05AA - 0x0BFA 05AB |

### 3.21.3 V<sub>BAT</sub> battery voltage monitoring

This embedded hardware enables the application to measure the V<sub>BAT</sub> battery voltage using the internal ADC channel ADC1\_IN18. As the V<sub>BAT</sub> voltage may be higher than the V<sub>DDA</sub>, and thus outside the ADC input range, the VBAT pin is internally connected to a bridge divider by 3. As a consequence, the converted digital value is one third of the V<sub>BAT</sub> voltage.

### 3.22 Digital to analog converter (DAC)

Two 12-bit buffered DAC channels can be used to convert digital signals into analog voltage signal outputs. The chosen design structure is composed of integrated resistor strings and an amplifier in inverting configuration.

This digital interface supports the following features:

- Up to two DAC output channels
- 8-bit or 12-bit output mode
- Buffer offset calibration (factory and user trimming)
- Left or right data alignment in 12-bit mode
- Synchronized update capability
- Noise-wave generation
- Triangular-wave generation
- Dual DAC channel independent or simultaneous conversions
- DMA capability for each channel
- External triggers for conversion
- Sample and hold low-power mode, with internal or external capacitor

The DAC channels are triggered through the timer update outputs that are also connected to different DMA channels.

### 3.23 Voltage reference buffer (VREFBUF)

The devices embed a voltage reference buffer which can be used as voltage reference for ADC, DACs and also as voltage reference for external components through the VREF+ pin.

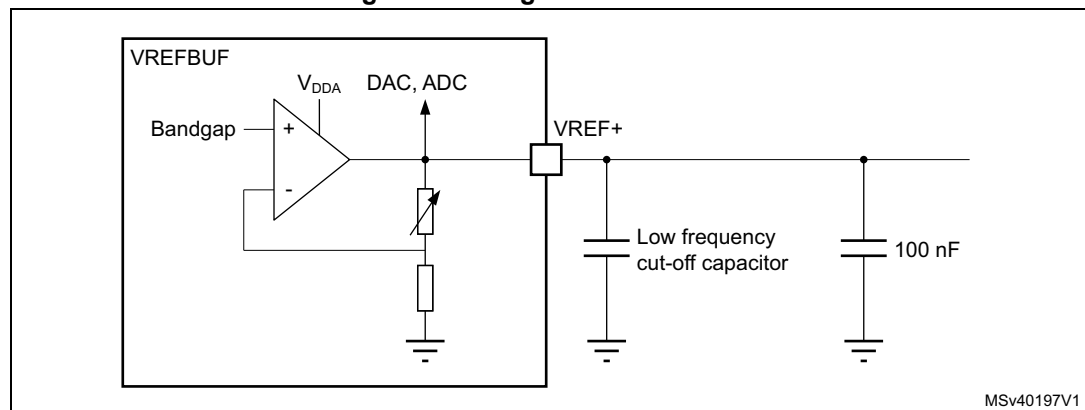
The internal voltage reference buffer supports two voltages:

- 2.048 V
- 2.5 V

An external voltage reference can be provided through the VREF+ pin when the internal voltage reference buffer is off.

The VREF+ pin is double-bonded with VDDA on some packages. In these packages the internal voltage reference buffer is not available.

Figure 9. Voltage reference buffer



### 3.24 Comparators (COMP)

The devices embed two rail-to-rail comparators with programmable reference voltage (internal or external), hysteresis and speed (low speed for low-power) and with selectable output polarity.

The reference voltage can be one of the following:

- External I/O
- DAC output channels
- Internal reference voltage or submultiple (1/4, 1/2, 3/4).

All comparators can wake up from Stop mode, generate interrupts and breaks for the timers and can also be combined into a window comparator.

### 3.25 Operational amplifier (OPAMP)

The devices embed two operational amplifiers with external or internal follower routing and PGA capability.

The operational amplifier features:

- Low input bias current
- Low offset voltage
- Low-power mode
- Rail-to-rail input

### 3.26 Digital filter for sigma-delta modulators (DFSDM)

The devices embed one DFSDM with four digital filters modules and eight external input serial channels (transceivers) or alternately eight internal parallel inputs support.

The DFSDM peripheral is dedicated to interface the external  $\Sigma\Delta$  modulators to the microcontroller and then to perform digital filtering of the received data streams (which represent analog value on  $\Sigma\Delta$  modulators inputs).

The DFSDM can also interface the PDM (pulse density modulation) microphones and perform PDM to PCM conversion and filtering in hardware. The DFSDM features optional parallel data stream inputs from microcontrollers memory (through DMA/CPU transfers into DFSDM).

The DFSDM transceivers support several serial interface formats (to support various  $\Sigma\Delta$  modulators) and the DFSDM digital filter modules perform digital processing according to the user's selected filter parameters with up to 24-bit final ADC resolution.

The DFSDM peripheral supports:

- Up to 4 multiplexed input digital serial channels:
  - Configurable SPI interface to connect various  $\Sigma\Delta$  modulators
  - Configurable Manchester coded 1 wire interface support
  - Clock output for  $\Sigma\Delta$  modulator(s)
- Alternative inputs from up to 4 internal digital parallel channels:
  - Inputs with up to 16 bit resolution
  - Internal sources: ADCs data or memory (CPU/DMA write) data streams
- Adjustable digital signal processing:
  - Sincx filter: filter order/type (1..5), oversampling ratio (up to 1..1024)
  - Integrator: oversampling ratio (1..256)
- Up to 24-bit output data resolution:
  - Right bit-shifter on final data (0..31 bits)
- Signed output data format
- Automatic data offset correction (offset stored in register by user)
- Continuous or single conversion
- Start-of-conversion synchronization with:
  - Software trigger
  - Internal timers
  - External events
  - Start-of-conversion synchronously with first DFSDM filter (DFSDM\_FLT0)
- Analog watchdog feature:
  - Low value and high value data threshold registers
  - Own configurable Sincx digital filter (order = 1..3, oversampling ratio = 1..32)
  - Input from output data register or from one or more input digital serial channels
  - Continuous monitoring independently from standard conversion
- Short-circuit detector to detect saturated analog input values (bottom and top ranges):
  - Up to 8-bit counter to detect 1..256 consecutive 0's or 1's on input data stream
  - Monitoring continuously each channel (4 serial channel transceiver outputs)
- Break generation on analog watchdog event or short-circuit detector event
- Extremes detector:
  - Store minimum and maximum values of output data values
  - Refreshed by software
- DMA may be used to read the conversion data
- Interrupts: end of conversion, overrun, analog watchdog, short-circuit, channel clock absence
- “Regular” or “injected” conversions:
  - “Regular” conversions can be requested at any time or even in continuous mode without having any impact on the timing of “injected” conversions.

### 3.27 Touch sensing controller (TSC)

The touch sensing controller provides a simple solution to add capacitive sensing functionality to any application. A capacitive sensing technology is able to detect finger presence near an electrode that is protected from direct touch by a dielectric (glass, plastic or other). The capacitive variation introduced by the finger (or any conductive object) is measured using a proven implementation based on a surface charge transfer acquisition principle.

The touch sensing controller is fully supported by the STMTouch touch sensing firmware library which is free to use and allows touch sensing functionality to be implemented reliably in the end application.

The main features of the touch sensing controller are the following:

- Proven and robust surface charge transfer acquisition principle
- Supports up to 22 capacitive sensing channels
- Up to 3 capacitive sensing channels can be acquired in parallel offering a very good response time
- Spread spectrum feature to improve system robustness in noisy environments
- Full hardware management of the charge transfer acquisition sequence
- Programmable charge transfer frequency
- Programmable sampling capacitor I/O pin
- Programmable channel I/O pin
- Programmable max count value to avoid long acquisition when a channel is faulty
- Dedicated end of acquisition and max count error flags with interrupt capability
- One sampling capacitor for up to 3 capacitive sensing channels to reduce the system components
- Compatible with proximity, touchkey, linear and rotary touch sensor implementation
- Designed to operate with STMTouch touch sensing firmware library

*Note: The number of capacitive sensing channels is dependent on the size of the packages and subject to I/O availability.*

### 3.28 True random number generator (RNG)

The RNG is a true random number generator that provides full entropy outputs to the application as 32-bit samples. It is composed of a live entropy source (analog) and an internal conditioning component.

The RNG is a NIST SP 800-90B compliant entropy source that can be used to construct a non-deterministic random bit generator (NDRBG).

The true random number generator:

- delivers 32-bit true random numbers, produced by an analog entropy source conditioned by a NIST SP800-90B approved conditioning stage,
- can be used as entropy source to construct a non-deterministic random bit generator (NDRBG),
- produces four 32-bit random samples every 412 AHB clock cycles if fAHB < 77 MHz (256 RNG clock cycles otherwise),
- embeds start-up and NIST SP800-90B approved continuous health tests (repetition count and adaptive proportion tests), associated with specific error management,
- can be disabled to reduce power consumption, or enabled with an automatic low-power mode (default configuration),
- has an AMBA AHB slave peripheral, accessible through 32-bit word single accesses only (else an AHB bus error is generated, and the write accesses are ignored).

### 3.29 Advanced encryption standard hardware accelerator (AES)

The devices embed an AES hardware accelerator that can be used both to encipher and to decipher data using an AES algorithm.

The AES peripheral supports:

- Encryption/decryption using AES Rijndael block cipher algorithm
- NIST FIPS 197 compliant implementation of AES encryption/decryption algorithm
- 128-bit and 256-bit register for storing the encryption, decryption or derivation key (4x 32-bit registers)
- Electronic codebook (ECB), cipher block chaining (CBC), Counter mode (CTR), Galois Counter Mode (GCM), Galois Message Authentication Code mode (GMAC) and Cipher Message Authentication Code mode (CMAC) supported
- Key scheduler
- Key derivation for decryption
- 128-bit data block processing
- 128-bit, 256-bit key length
- 1x32-bit INPUT buffer and 1x32-bit OUTPUT buffer
- Register access supporting 32-bit data width only
- One 128-bit Register for the initialization vector when AES is configured in CBC mode or for the 32-bit counter initialization when CTR mode is selected, GCM mode or CMAC mode
- Automatic data flow control with support of direct memory access (DMA) using 2 channels, one for incoming data, and one for out coming data
- Suspend a message if another message with a higher priority needs to be processed.

### 3.30 HASH hardware accelerator (HASH)

The hash processor is a fully compliant implementation of the secure hash algorithm (SHA-1, SHA-224, SHA-256), the MD5 (message-digest algorithm 5) hash algorithm and the HMAC (keyed-hash message authentication code) algorithm suitable for a variety of applications.

It computes a message digest (160 bits for the SHA-1 algorithm, 256 bits for the SHA-256 algorithm and 224 bits for the SHA-224 algorithm, 128 bits for the MD5 algorithm) for messages of up to (264 - 1) bits, while the HMAC algorithms provide a way of authenticating messages by means of hash functions. The HMAC algorithms consist in calling the SHA-1, SHA-224, SHA-256 or MD5 hash function twice.

### 3.31 Public key accelerator PKA

The public key accelerator (PKA) is intended for the computation of cryptographic public key primitives, specifically those related to RSA, Diffie-Hellmann or ECC (elliptic curve cryptography) over GF(p) (Galois fields). To achieve high performance at a reasonable cost, these operations are executed in the Montgomery domain.

All needed computations are performed within the accelerator, so no further hardware/software elaboration is needed to process the inputs or the outputs.

PKA main features:

- Acceleration of RSA, DH and ECC over GF(p) operations, based on the Montgomery method for fast modular multiplications. More specifically:
  - RSA modular exponentiation, RSA Chinese remainder theorem (CRT) exponentiation
  - ECC scalar multiplication, point on curve check
  - ECDSA signature generation and verification
- Capability to handle operands up to 3136 bits for RSA/DH and 640 bits for ECC.
- Arithmetic and modular operations such as addition, subtraction, multiplication, modular reduction, modular inversion, comparison, and Montgomery multiplication.
- Built-in Montgomery domain inward and outward transformations
- AMBA AHB slave peripheral, accessible through 32-bit word single accesses only (otherwise, for writes, an AHB bus error is generated, and write accesses are ignored)

### 3.32 On-the-fly decryption engine (OTFDEC)

The embedded OTFDEC decrypts in real-time the encrypted content stored in the external Octo-SPI memories used in Memory-mapped mode.

The OTFDEC uses the AES-128 algorithm in counter mode (CTR).

The OTFDEC main features are the following:

- Zero latency 128-bit decryption during STM32 AHB OCTOSPI read operations (single or multiple).
  - Minimum read granularity is 8-bit, maximum is 512-bit
  - AES-CTR algorithm
- Up to four independent encrypted regions
  - Granularity of the region definition: 4096 bytes
  - Region configuration write locking mechanism
  - Option to condition data decryption on instruction fetches only.
- 128-bit data decryption specific to each protected region.
  - Each region has its firmware version (two bytes), its 128-bit key and a fixed 64-bit nonce.
  - Keystream based on the data system address
- Encryption keys confidentiality and integrity protection
  - Write only registers, with software locking mechanism
- Support for STM32 OCTOSPI pre-fetching mechanism.
  - AES-CTR keystream FIFO (depth=2)
- Possibility to select an enhanced encryption mode to add a proprietary layer of protection on top of AES stream cipher.

### 3.33 Timers and watchdogs

The devices include two advanced control timers, up to nine general-purpose timers, two basic timers, two low-power timers, two watchdog timers and a SysTick timer.

[Table 16](#) compares the features of the advanced control, general-purpose and basic timers.

**Table 16. Timer feature comparison**

| Timer type       | Timer      | Counter resolution | Counter type      | Prescaler factor                | DMA request generation | Capture/compare channels | Complementary outputs |
|------------------|------------|--------------------|-------------------|---------------------------------|------------------------|--------------------------|-----------------------|
| Advanced control | TIM1, TIM8 | 16-bit             | Up, down, Up/down | Any integer between 1 and 65536 | Yes                    | 4                        | 3                     |
| General-purpose  | TIM2, TIM5 | 32-bit             | Up, down, Up/down | Any integer between 1 and 65536 | Yes                    | 4                        | No                    |
| General-purpose  | TIM3, TIM4 | 16-bit             | Up, down, Up/down | Any integer between 1 and 65536 | Yes                    | 4                        | No                    |
| General-purpose  | TIM15      | 16-bit             | Up                | Any integer between 1 and 65536 | Yes                    | 2                        | 1                     |



**Table 16. Timer feature comparison (continued)**

| Timer type      | Timer        | Counter resolution | Counter type | Prescaler factor                | DMA request generation | Capture/compare channels | Complementary outputs |
|-----------------|--------------|--------------------|--------------|---------------------------------|------------------------|--------------------------|-----------------------|
| General-purpose | TIM16, TIM17 | 16-bit             | Up           | Any integer between 1 and 65536 | Yes                    | 1                        | 1                     |
| Basic           | TIM6, TIM7   | 16-bit             | Up           | Any integer between 1 and 65536 | Yes                    | 0                        | No                    |

**3.33.1 Advanced-control timer (TIM1, TIM8)**

The advanced-control timers can each be seen as a three-phase PWM multiplexed on six channels. They have complementary PWM outputs with programmable inserted dead-times. They can also be seen as complete general-purpose timers.

The four independent channels can be used for:

- Input capture
- Output compare
- PWM generation (edge or center-aligned modes) with full modulation capability (0-100%)
- One-pulse mode output

In debug mode, the advanced-control timer counter can be frozen and the PWM outputs disabled in order to turn off any power switches driven by these outputs.

Many features are shared with the general-purpose TIMx timers (described in [Section 3.33.2](#)) using the same architecture, so the advanced-control timers can work together with the TIMx timers via the Timer Link feature for synchronization or event chaining.

### 3.33.2 General-purpose timers (TIM2, TIM3, TIM4, TIM5, TIM15, TIM16, TIM17)

There are up to seven synchronizable general-purpose timers embedded in the STM32L562xx devices (see [Table 16](#) for differences).

Each general-purpose timer can be used to generate PWM outputs, or act as a simple time base.

- TIM2, TIM3, TIM4 and TIM5

They are full-featured general-purpose timers:

- TIM2 and TIM5 have a 32-bit auto-reload up/downcounter and 32-bit prescaler
- TIM3 and TIM4 have 16-bit auto-reload up/downcounter and 16-bit prescaler.

These timers feature four independent channels for input capture/output compare, PWM or one-pulse mode output. They can work together, or with the other general-purpose timers via the Timer Link feature for synchronization or event chaining.

The counters can be frozen in debug mode.

All have independent DMA request generation and support quadrature encoders.

- TIM15, 16 and 17

They are general-purpose timers with mid-range features:

They have 16-bit auto-reload upcounters and 16-bit prescalers.

- TIM15 has two channels and one complementary channel
- TIM16 and TIM17 have one channel and one complementary channel

All channels can be used for input capture/output compare, PWM or one-pulse mode output.

The timers can work together via the Timer Link feature for synchronization or event chaining. The timers have independent DMA request generation.

The counters can be frozen in debug mode.

### 3.33.3 Basic timers (TIM6 and TIM7)

The basic timers are mainly used for DAC trigger generation. They can also be used as generic 16-bit timebases.

### 3.33.4 Low-power timers (LPTIM1, LPTIM2 and LPTIM3)

The devices embed two low-power timers. These timers have an independent clock and are running in Stop mode if they are clocked by LSE, LSI or an external clock. They are able to wake up the system from Stop mode.

LPTIM1 and LPTIM3 are active in Stop 0, Stop 1 and Stop 2 modes.

LPTIM2 is active in Stop 0 and Stop 1 mode.

This low-power timer supports the following features:

- 16-bit up counter with 16-bit autoreload register
- 16-bit compare register
- Configurable output: pulse, PWM
- Continuous/ one shot mode
- Selectable software/hardware input trigger
- Selectable clock source
  - Internal clock sources: LSE, LSI, HSI16 or APB clock
  - External clock source over LPTIM input (working even with no internal clock source running, used by pulse counter application).
- Programmable digital glitch filter
- Encoder mode (LPTIM1 only).

### 3.33.5 Independent watchdog (IWDG)

The independent watchdog is based on a 12-bit downcounter and an 8-bit prescaler. It is clocked from an independent 32 kHz internal RC (LSI) and as it operates independently from the main clock, it can operate in Stop and Standby modes. It can be used either as a watchdog to reset the device when a problem occurs, or as a free running timer for application timeout management. It is hardware or software configurable through the option bytes. The counter can be frozen in debug mode.

### 3.33.6 Window watchdog (WWDG)

The window watchdog is based on a 7-bit downcounter that can be set as free running. It can be used as a watchdog to reset the device when a problem occurs. It is clocked from the main clock. It has an early warning interrupt capability and the counter can be frozen in debug mode.

### 3.33.7 SysTick timer

The Cortex<sup>®</sup>-M33 with TrustZone embeds two SysTick timers.

When TrustZone is activated, two SysTick timer are available:

- SysTick, Secure instance.
- SysTick, Non-secure instance.

When TrustZone is disabled, only one SysTick timer is available.

This timer (secure or non-secure) is dedicated to real-time operating systems, but could also be used as a standard down counter. It features:

- A 24-bit down counter
- Autoreload capability
- Maskable system interrupt generation when the counter reaches 0.
- Programmable clock source

### 3.34 Real-time clock (RTC)

The RTC supports the following features:

- Calendar with subsecond, seconds, minutes, hours (12 or 24 format), week day, date, month, year, in BCD (binary-coded decimal) format.
- Automatic correction for 28, 29 (leap year), 30, and 31 days of the month.
- Two programmable alarms.
- On-the-fly correction from 1 to 32767 RTC clock pulses. This can be used to synchronize it with a master clock.
- Reference clock detection: a more precise second source clock (50 or 60 Hz) can be used to enhance the calendar precision.
- Digital calibration circuit with 0.95 ppm resolution, to compensate for quartz crystal inaccuracy.
- Timestamp feature which can be used to save the calendar content. This function can be triggered by an event on the timestamp pin, or by a tamper event, or by a switch to  $V_{BAT}$  mode.
- 17-bit auto-reload wakeup timer (WUT) for periodic events with programmable resolution and period.
- TrustZone support:
  - RTC fully securable
  - Alarm A, alarm B, wakeup Timer and timestamp individual secure or non-secure configuration

The RTC is supplied through a switch that takes power either from the  $V_{DD}$  supply when present or from the  $V_{BAT}$  pin.

The RTC clock sources can be:

- A 32.768 kHz external crystal (LSE)
- An external resonator or oscillator (LSE)
- The internal low power RC oscillator (LSI, with typical frequency of 32 kHz)
- The high-speed external clock (HSE), divided by a prescaler in the RCC.

The RTC is functional in VBAT mode and in all low-power modes when it is clocked by the LSE. When clocked by the LSI, the RTC is not functional in VBAT mode, but is functional in all low-power modes except Shutdown mode.

All RTC events (Alarm, WakeUp Timer, Timestamp) can generate an interrupt and wakeup the device from the low-power modes.

### 3.35 Tamper and backup registers (TAMP)

32 32-bit backup registers are retained in all low-power modes and also in VBAT mode. They can be used to store sensitive data as their content is protected by a tamper detection circuit. 8 tamper pins and 7 internal tampers are available for anti-tamper detection.

The external tamper pins can be configured for edge detection, or level detection with or without filtering, or active tamper which increases the security level by auto checking that the tamper pins are not externally opened or shorted.

TAMP main features:

- 32 backup registers:
  - The backup registers (TAMP\_BKPxR) are implemented in the RTC domain that remains powered-on by VBAT when the VDD power is switched off
- 8 external tamper detection events
  - Each external event can be configured to be active or passive
  - External passive tampers with configurable filter and internal pull-up
- 5 internal tamper events
- Any tamper detection can generate a RTC timestamp event
- Any tamper detection can erase the backup registers
- TrustZone support:
  - Tamper secure or non-secure configuration.
  - Backup registers configuration in 3 configurable-size areas:
    - 1 read/write secure area
    - 1 write secure/read non-secure area
    - 1 read/write non-secure area
- Monotonic counter.

### 3.36 Inter-integrated circuit interface (I2C)

The device embeds four I2C. Refer to [Table 17: I2C implementation](#) for the features implementation.

The I<sup>2</sup>C bus interface handles communications between the microcontroller and the serial I<sup>2</sup>C bus. It controls all I<sup>2</sup>C bus-specific sequencing, protocol, arbitration and timing.

The I2C peripheral supports:

- I<sup>2</sup>C-bus specification and user manual rev. 5 compatibility:
  - Slave and master modes, multimaster capability
  - Standard-mode (Sm), with a bitrate up to 100 kbit/s
  - Fast-mode (Fm), with a bitrate up to 400 kbit/s
  - Fast-mode plus (Fm+), with a bitrate up to 1 Mbit/s and 20 mA output drive I/Os
  - 7-bit and 10-bit addressing mode, multiple 7-bit slave addresses
  - Programmable setup and hold times
  - Optional clock stretching
- System management bus (SMBus) specification rev 2.0 compatibility:
  - Hardware PEC (packet error checking) generation and verification with ACK control
  - Address resolution protocol (ARP) support
  - SMBus alert
- Power system management protocol (PMBus<sup>TM</sup>) specification rev 1.1 compatibility
- Independent clock: a choice of independent clock sources allowing the I2C communication speed to be independent from the PCLK reprogramming. Refer to [Figure 7: STM32L562xx clock tree](#)
- Wakeup from Stop mode on address match
- Programmable analog and digital noise filters
- 1-byte buffer with DMA capability

**Table 17. I2C implementation**

| I2C features <sup>(1)</sup>                                  | I2C1 | I2C2 | I2C3 | I2C4 |
|--|------|------|------|------|
| Standard-mode (up to 100 kbit/s)                             | X    | X    | X    | X    |
| Fast-mode (up to 400 kbit/s)                                 | X    | X    | X    | X    |
| Fast-mode Plus with 20 mA output drive I/Os (up to 1 Mbit/s) | X    | X    | X    | X    |
| Programmable analog and digital noise filters                | X    | X    | X    | X    |
| SMBus/PMBus hardware support                                 | X    | X    | X    | X    |
| Independent clock  | X    | X    | X    | X    |
| Wakeup from Stop 0, Stop 1 mode on address match             | X    | X    | X    | X    |
| Wakeup from Stop 2 mode on address match                     | -    | -    | X    | -    |

1. X: supported

### 3.37 Universal synchronous/asynchronous receiver transmitter (USART)

The devices have three embedded universal synchronous receiver transmitters (USART1, USART2 and USART3) and two universal asynchronous receiver transmitters (UART4, UART5).

These interfaces provide asynchronous communication, IrDA SIR ENDEC support, multiprocessor communication mode, single-wire half-duplex communication mode and have LIN master/slave capability. They provide hardware management of the CTS and RTS signals, and RS485 driver enable. They are able to communicate at speeds of up to 10 Mbit/s.

The USART1, USART2 and USART3 also provide a Smartcard mode (ISO 7816 compliant) and an SPI-like communication capability.

All USART have a clock domain independent from the CPU clock, allowing the USARTx (x=1,2,3,4,5) to wake up the MCU from Stop mode using baudrates up to 200 Kbaud. The wake up events from Stop mode are programmable and can be:

- Start bit detection
- Any received data frame
- A specific programmed data frame

All USART interfaces can be served by the DMA controller.

**Table 18. USART/UART/LPUART features**

| USART modes/features <sup>(1)</sup>   | USART1          | USART2 | USART3 | UART4 | UART5 | LPUART1 |
|---------------------------------------|-----------------|--------|--------|-------|-------|---------|
| Hardware flow control for modem       | X               | X      | X      | X     | X     | X       |
| Continuous communication using DMA    | X               | X      | X      | X     | X     | X       |
| Multiprocessor communication          | X               | X      | X      | X     | X     | X       |
| Synchronous mode                      | X               | X      | X      | -     | -     | -       |
| Smartcard mode                        | X               | X      | X      | -     | -     | -       |
| Single-wire half-duplex communication | X               | X      | X      | X     | X     | X       |
| IrDA SIR ENDEC block                  | X               | X      | X      | X     | X     | -       |
| LIN mode                              | X               | X      | X      | X     | X     | -       |
| Dual clock domain                     | X               | X      | X      | X     | X     | X       |
| Wakeup from Stop 0 / Stop 1 modes     | X               | X      | X      | X     | X     | X       |
| Wakeup from Stop 2 mode               | -               | -      | -      | -     | -     | X       |
| Receiver timeout interrupt            | X               | X      | X      | X     | X     | -       |
| Modbus communication                  | X               | X      | X      | X     | X     | -       |
| Auto baud rate detection              | X (4 modes)     |        |        |       |       | -       |
| Driver enable                         | X               | X      | X      | X     | X     | X       |
| LPUART/USART data length              | 7, 8 and 9 bits |        |        |       |       |         |

1. X = supported.

### 3.38 Low-power universal asynchronous receiver transmitter (LPUART)

The devices embed one low-power UART. The LPUART supports asynchronous serial communication with minimum power consumption. It supports half-duplex single-wire communication and modem operations (CTS/RTS). It allows multiprocessor communication.

The LPUART has a clock domain independent from the CPU clock, and can wakeup the system from Stop mode using baudrates up to 220 Kbaud. The wake up events from Stop mode are programmable and can be:

- Start bit detection
- Any received data frame
- A specific programmed data frame

Only a 32.768 kHz clock (LSE) is needed to allow LPUART communication up to 9600 baud. Therefore, even in Stop mode, the LPUART can wait for an incoming frame while having an extremely low energy consumption. Higher speed clock can be used to reach higher baudrates.

The LPUART interface can be served by the DMA controller.

### 3.39 Serial peripheral interface (SPI)

Three SPI interfaces allow communication up to slave modes, in half-duplex, full-duplex and simplex modes. The 3-bit prescaler gives eight master mode frequencies and the frame size is configurable from 4 bits to 16 bits. The SPI interfaces support NSS pulse mode, TI mode and hardware CRC calculation.

All SPI interfaces can be served by the DMA controller.

### 3.40 Serial audio interfaces (SAI)

The devices embed two SAI. Refer to [Table 19: SAI implementation](#) for the features implementation. The SAI bus interface handles communications between the microcontroller and the serial audio protocol.

The SAI peripheral supports:

- Two independent audio sub-blocks which can be transmitters or receivers with their respective FIFO.
- 8-word integrated FIFOs for each audio sub-block.
- Synchronous or asynchronous mode between the audio sub-blocks.
- Master or slave configuration independent for both audio sub-blocks.
- Clock generator for each audio block to target independent audio frequency sampling when both audio sub-blocks are configured in master mode.
- Data size configurable: 8-, 10-, 16-, 20-, 24-, 32-bit.
- Peripheral with large configurability and flexibility allowing to target as example the following audio protocol: I2S, LSB or MSB-justified, PCM/DSP, TDM, AC'97 and SPDIF out.



- Up to 16 slots available with configurable size and with the possibility to select which ones are active in the audio frame.
- Number of bits by frame may be configurable.
- Frame synchronization active level configurable (offset, bit length, level).
- First active bit position in the slot is configurable.
- LSB first or MSB first for data transfer.
- Mute mode.
- Stereo/Mono audio frame capability.
- Communication clock strobing edge configurable (SCK).
- Error flags with associated interrupts if enabled respectively.
  - Overrun and underrun detection.
  - Anticipated frame synchronization signal detection in slave mode.
  - Late frame synchronization signal detection in slave mode.
  - Codec not ready for the AC'97 mode in reception.
- Interruption sources when enabled:
  - Errors.
  - FIFO requests.
- DMA interface with two dedicated channels to handle access to the dedicated integrated FIFO of each SAI audio sub-block.

**Table 19. SAI implementation**

| SAI features <sup>(1)</sup>                            | SAI1       | SAI2       |
|--|------------|------------|
| I2S, LSB or MSB-justified, PCM/DSP, TDM, AC'97         | X          | X          |
| Mute mode  | X          | X          |
| Stereo/Mono audio frame capability.                    | X          | X          |
| 16 slots   | X          | X          |
| Data size configurable: 8-, 10-, 16-, 20-, 24-, 32-bit | X          | X          |
| FIFO size  | X (8 Word) | X (8 Word) |
| SPDIF  | X          | X          |
| PDM  | X          | -          |

1. X: supported

### 3.41 Secure digital input/output and MultiMediaCards Interface (SDMMC)

The SD/SDIO, MultiMediaCard (MMC) host interface (SDMMC) provides an interface between the AHB bus and SD memory cards, SDIO cards and MMC devices.

The SDMMC features include the following:

- Full compliance with MultiMediaCard System Specification Version 4.51. Card support for three different databus modes: 1-bit (default), 4-bit and 8-bit
- Full compatibility with previous versions of MultiMediaCards (backward compatibility)
- Full compliance with SD Memory Card Specifications Version 4.1. (SDR104 SDMMC\_CK speed limited to maximum allowed IO speed, SPI mode and UHS-II mode not supported)
- Full compliance with SDIO Card Specification Version 4.0: card support for two different databus modes: 1-bit (default) and 4-bit. (SDR104 SDMMC\_CK speed limited to maximum allowed IO speed, SPI mode and UHS-II mode not supported)
- Data transfer up to 104 Mbyte/s for the 8-bit mode (depending maximum allowed IO speed)
- Data and command output enable signals to control external bidirectional drivers.

### 3.42 Controller area network (FDCAN)

The controller area network (CAN) subsystem consists of one CAN modules and message RAM memory.

The CAN module (FDCAN) is compliant with ISO 11898-1 (CAN protocol specification version 2.0 part A, B) and CAN FD protocol specification version 1.0.

A 1 Kbyte message RAM memory implements filters, receive FIFOs, receive buffers, transmit event FIFOs, transmit buffers.

### 3.43 Universal serial bus (USB FS)

The devices embed a full-speed USB device peripheral compliant with the USB specification version 2.0. The internal USB PHY supports USB FS signaling, embedded DP pull-up and battery charging detection according to Battery Charging Specification Revision 1.2.

The USB interface implements a full-speed (12 Mbit/s) function interface with added support for USB 2.0 link power management. It has software-configurable endpoint setting with packet memory up-to 1 Kbyte and suspend/resume support.

This interface requires a precise 48 MHz clock which can be generated from the internal main PLL (the clock source must use a HSE crystal oscillator) or by the internal 48 MHz oscillator (HSI48) in automatic trimming mode. The synchronization for this oscillator can be taken from the USB data stream itself (SOF signalization) which allows crystal less operation.

### 3.44 USB Type-C™ / USB Power Delivery controller (UCPD)

The device embeds one controller (UCPD) compliant with USB Type-C Rev. 1.2 and USB Power Delivery Rev. 3.0 specifications.

The controller uses specific I/Os supporting the USB Type-C and USB Power Delivery requirements, featuring:

- USB Type-C pull-up ( $R_p$ , all values) and pull-down ( $R_d$ ) resistors
- “Dead battery” support
- USB Power Delivery message transmission and reception
- FRS (fast role swap) support

The digital controller handles notably:

- USB Type-C level detection with debounce, generating interrupts
- FRS detection, generating an interrupt
- Byte-level interface for USB Power Delivery payload, generating interrupts (DMA compatible)
- USB Power Delivery timing dividers (including a clock pre-scaler)
- CRC generation/checking
- 4b5b encode/decode
- Ordered sets (with a programmable ordered set mask at receive)
- Frequency recovery in receiver during preamble

The interface offers low-power operation compatible with Stop mode, maintaining the capacity to detect incoming USB Power Delivery messages and FRS signaling.

## 3.45 Development support

### 3.45.1 Serial wire JTAG debug port (SWJ-DP)

The Arm® SWJ-DP interface is embedded, and is a combined JTAG and serial wire debug port that enables either a serial wire debug or a JTAG probe to be connected to the target.

Debug is performed using two pins only instead of five required by the JTAG (JTAG pins could be re-used as GPIO with alternate function): the JTAG TMS and TCK pins are shared with SWDIO and SWCLK, respectively, and a specific sequence on the TMS pin is used to switch between JTAG-DP and SW-DP.

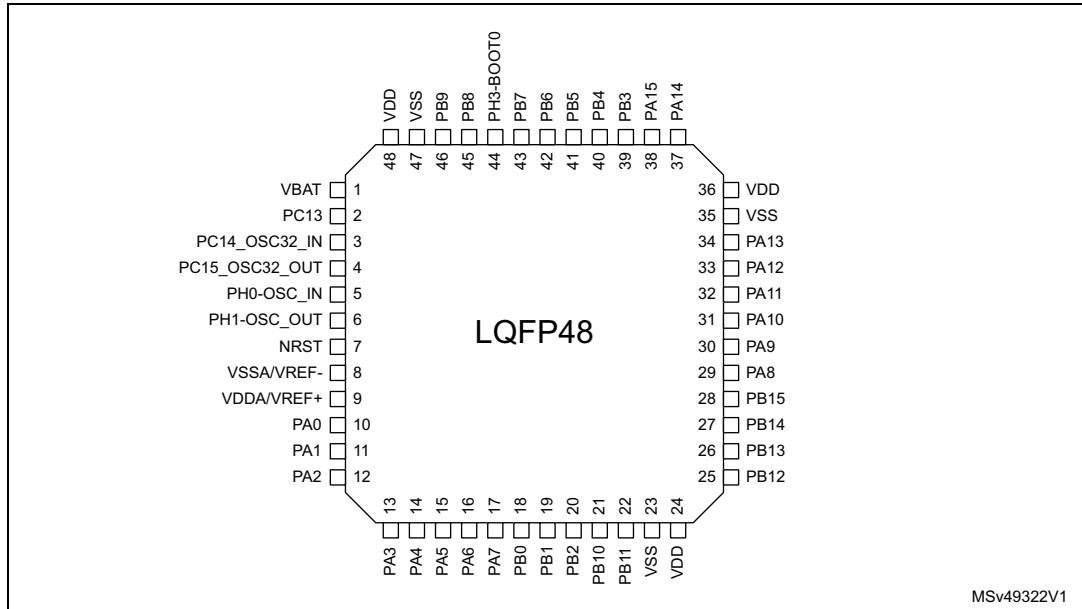
### 3.45.2 Embedded Trace Macrocell™

The Arm® Embedded Trace Macrocell provides a greater visibility of the instruction and data flow inside the CPU core by streaming compressed data at a very high rate from the devices through a small number of ETM pins to an external hardware trace port analyzer (TPA) device. Real-time instruction and data flow activity be recorded and then formatted for display on the host computer that runs the debugger software. TPA hardware is commercially available from common development tool vendors.

The Embedded Trace Macrocell operates with third party debugger software tools.

# 4 Pinouts and pin description

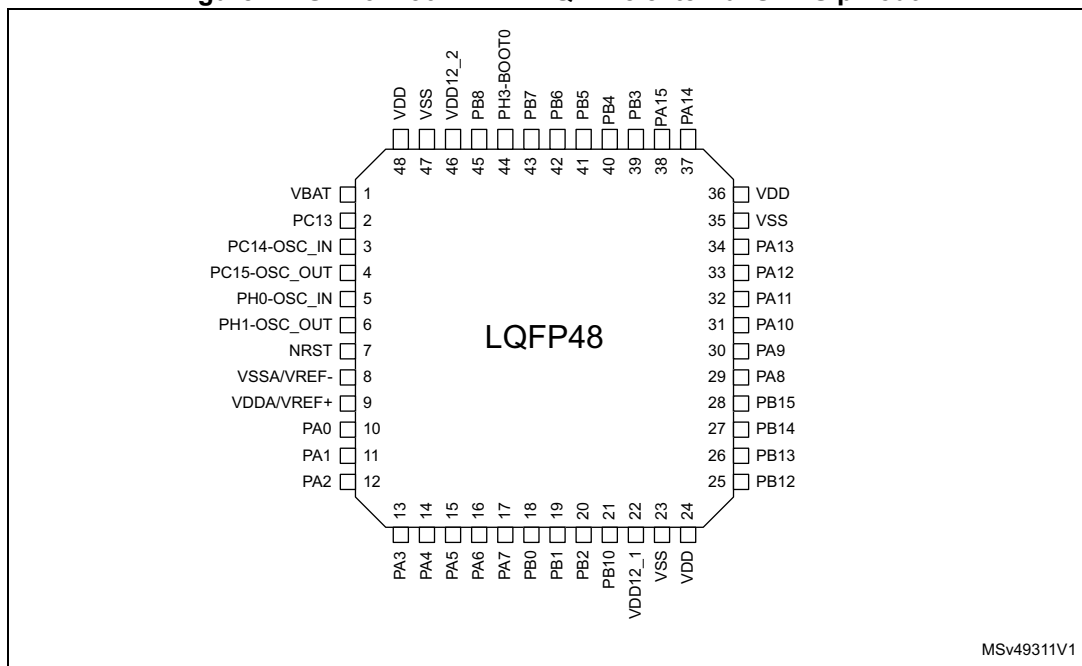
Figure 10. STM32L562xx LQFP48 pinout



MSv49322V1

1. The above figure shows the package top view.

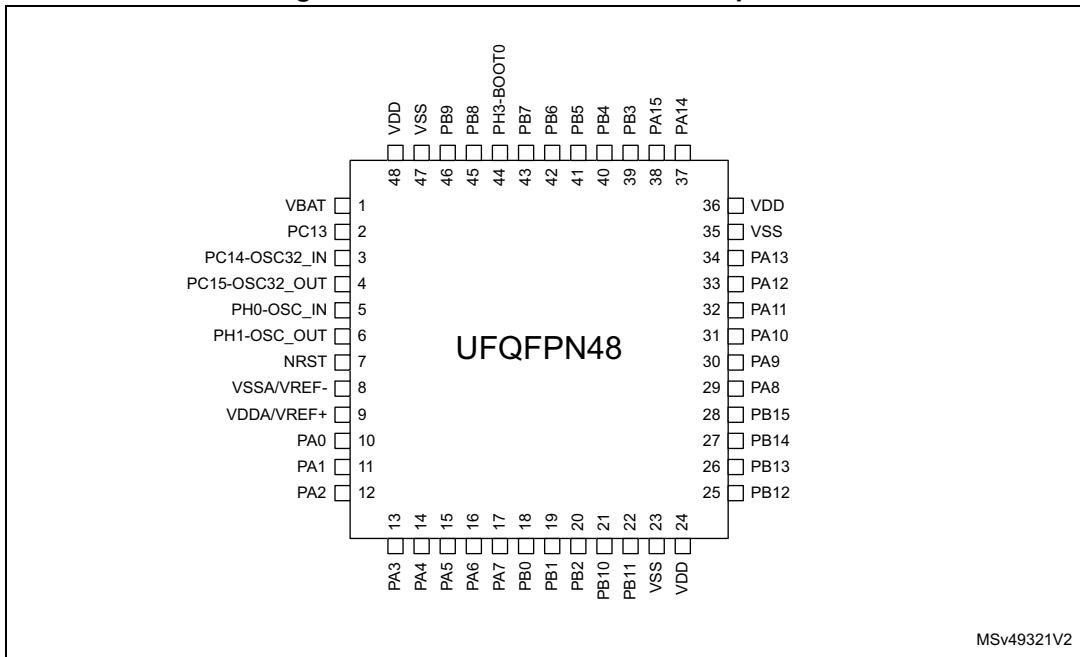
Figure 11. STM32L562xxxxP LQFP48 external SMPS pinout



MSv49311V1

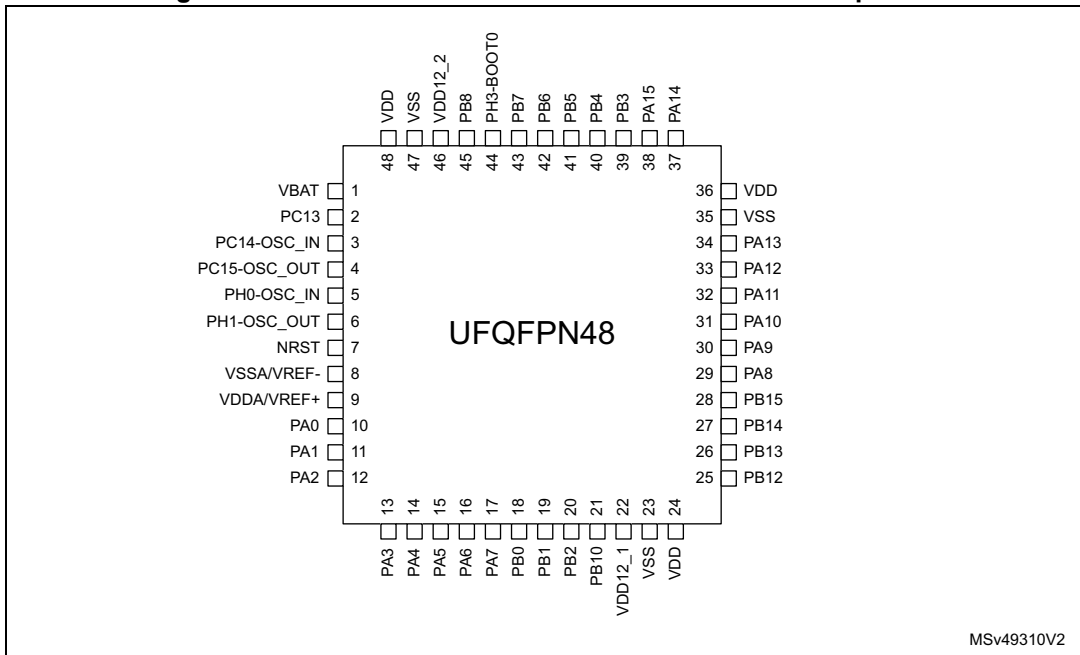
1. The above figure shows the package top view.

Figure 12. STM32L562xx UFQFPN48 pinout



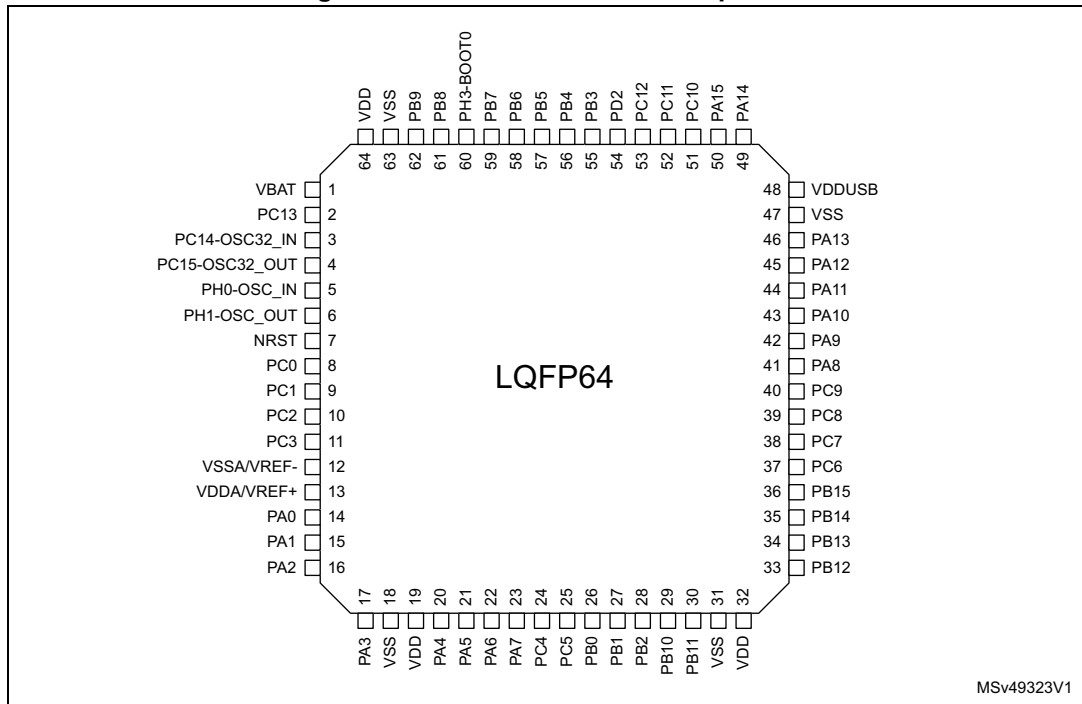
1. The above figure shows the package top view.

Figure 13. STM32L562xxxxP UFQFPN48 external SMPS pinout



1. The above figure shows the package top view.

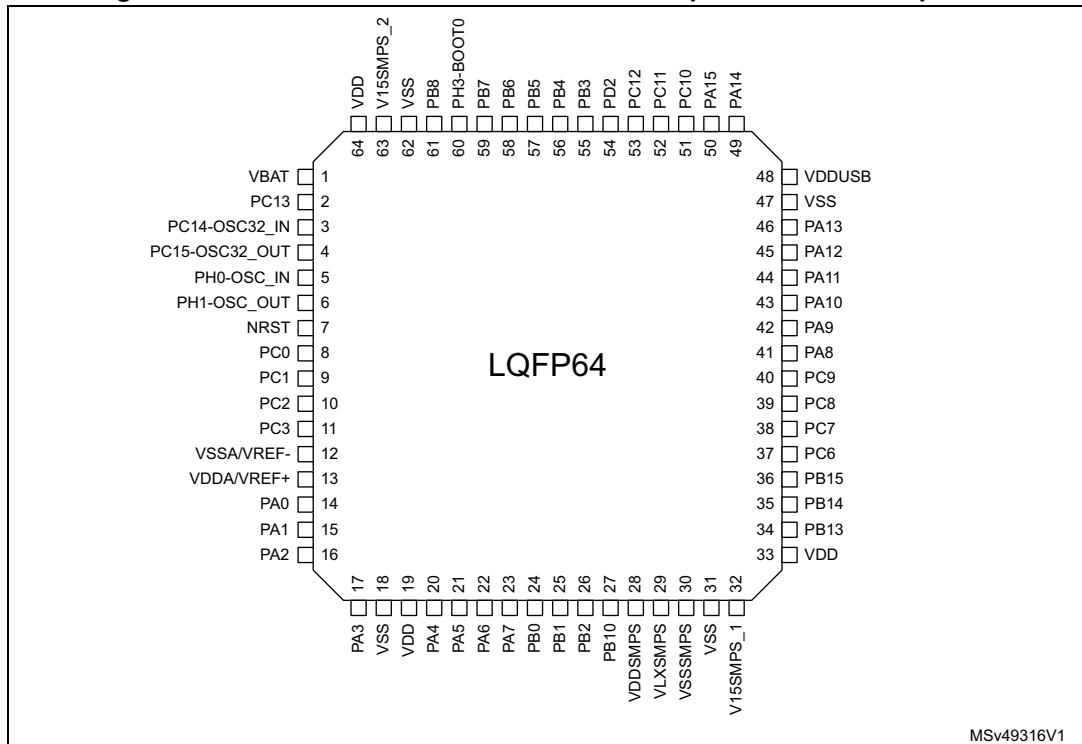
Figure 14. STM32L562xx LQFP64 pinout



MSv49323V1

1. The above figure shows the package top view.

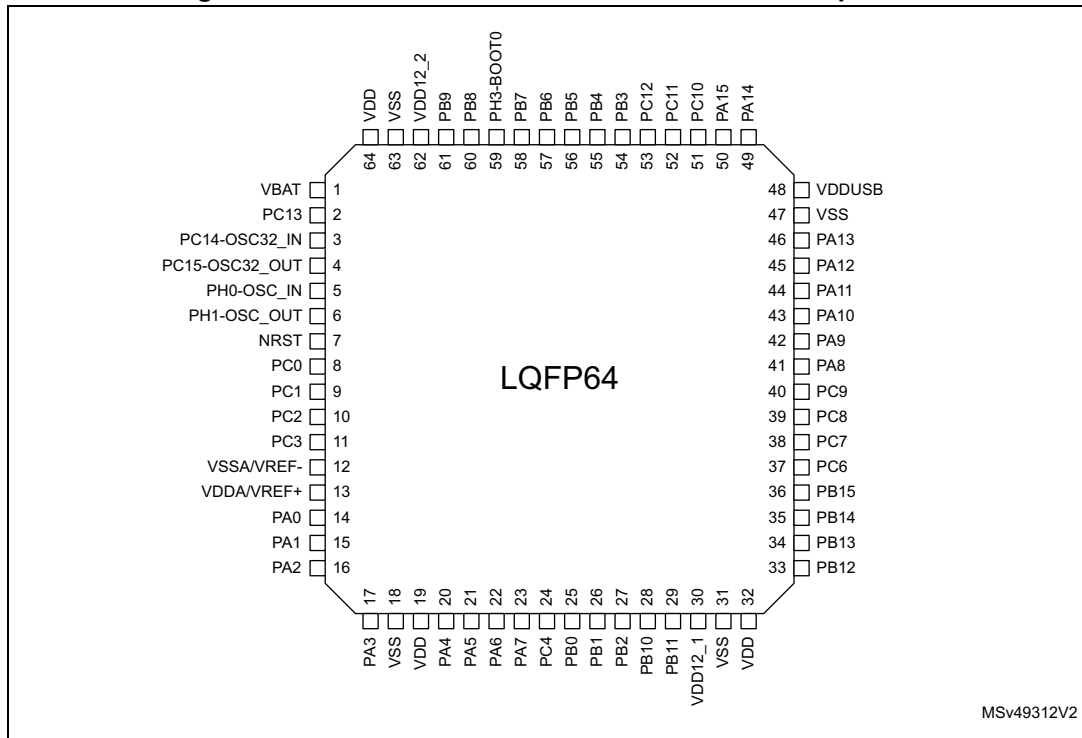
Figure 15. STM32L562xxxQ LQFP64 SMPS step down converter pinout



MSv49316V1

1. The above figure shows the package top view.

Figure 16. STM32L562xxxxP LQFP64 external SMPS pinout



1. The above figure shows the package top view.

Figure 17. STM32L562xxxxQ WLCSP81 SMPS step down converter ballout

|   | 1         | 2      | 3       | 4    | 5      | 6   | 7         | 8              | 9             |
|---|-----------|--------|---------|------|--------|-----|-----------|----------------|---------------|
| A | VDD       | PC10   | PD2     | PG13 | VDDIO2 | PB5 | PB9       | V15SMPS_2      | VDD           |
| B | VDDUSB    | VSS    | PC12    | PG12 | VSS    | PB4 | PC13      | VSS            | VBAT          |
| C | PA11      | PA12   | PC11    | PG10 | PG15   | PB6 | PB8       | PC15-OSC32_OUT | PC14-OSC32_IN |
| D | PA9       | PA13   | PA14    | PG9  | PG14   | PB7 | PH3-BOOT0 | PH1-OSC_OUT    | PH0-OSC_IN    |
| E | PC6       | PC7    | PA10    | PA15 | PG11   | PB3 | PC0       | VSS            | NRST          |
| F | PB15      | PB13   | PC8     | PA8  | PA3    | PA1 | PC2       | PC1            | VDD           |
| G | PB14      | PB12   | PC9     | PC4  | PA6    | PA2 | PC3       | VREF+          | VSSA/VREF-    |
| H | VDD       | VSS    | VLXSMPS | PB11 | PB1    | PA5 | PA4       | PA0            | VDDA          |
| J | V15SMPS_1 | VSSMPS | VDDSMPS | PB10 | PB2    | PB0 | PA7       | VDD            | VSS           |

MSv49317V1

1. The above figure shows the package top view.

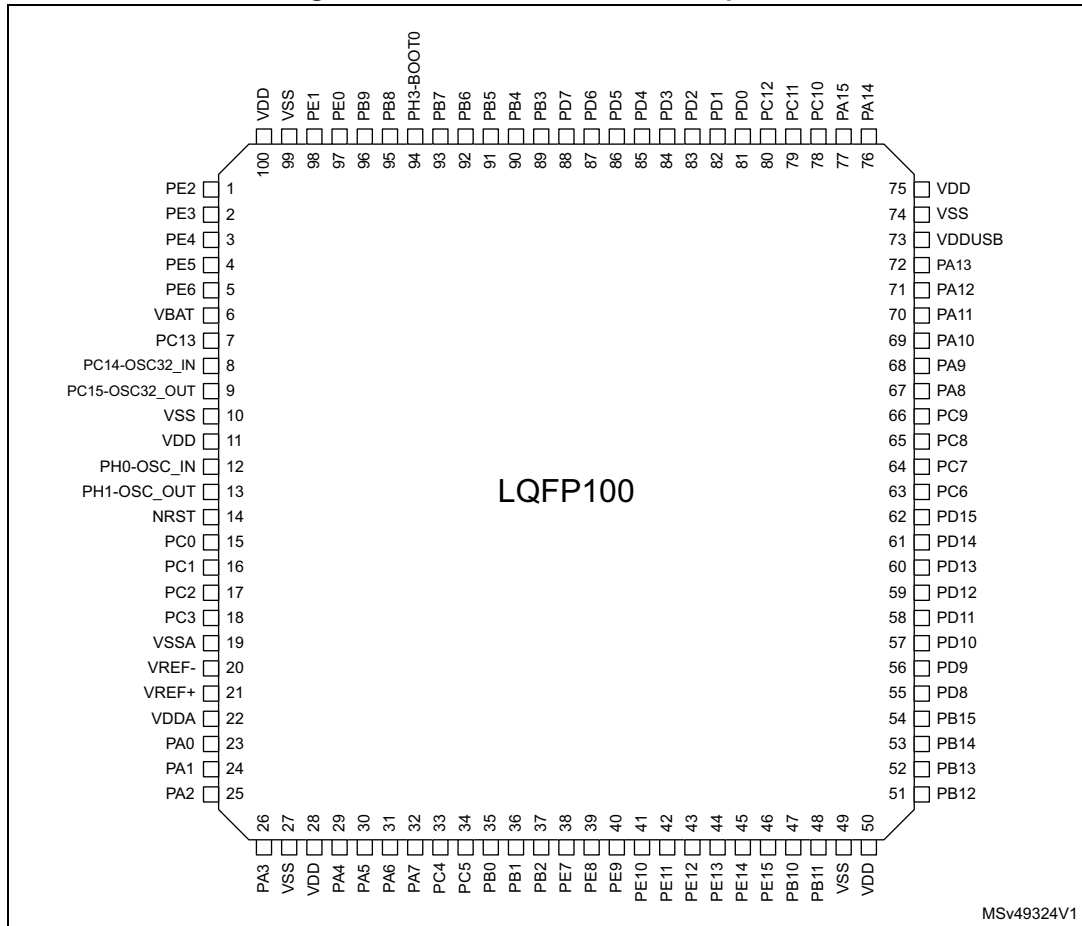
Figure 18. STM32L562xxxxP WLCSP81 external SMPS ballout

|   | 1       | 2    | 3    | 4    | 5      | 6   | 7         | 8              | 9             |
|---|---------|------|------|------|--------|-----|-----------|----------------|---------------|
| A | VDD     | PC10 | PD2  | PG13 | VDDIO2 | PB5 | PB9       | VDD12_2        | VDD           |
| B | VDDUSB  | VSS  | PC12 | PG12 | VSS    | PB4 | PC13      | VSS            | VBAT          |
| C | PA11    | PA12 | PC11 | PG10 | PG15   | PB6 | PB8       | PC15-OSC32_OUT | PC14-OSC32_IN |
| D | PA9     | PA13 | PA14 | PG9  | PG14   | PB7 | PH3-BOOT0 | PH1-OSC_OUT    | PH0-OSC_IN    |
| E | PC6     | PC7  | PA10 | PA15 | PG11   | PB3 | PC0       | VSS            | NRST          |
| F | PB15    | PB13 | PC8  | PA8  | PA3    | PA1 | PC2       | PC1            | VDD           |
| G | PB14    | PB12 | PC9  | PC4  | PA6    | PA2 | PC3       | VREF+          | VSSA/VREF-    |
| H | VDD     | VSS  | PE15 | PE14 | PB1    | PA5 | PA4       | PA0            | VDDA          |
| J | VDD12_1 | PB11 | PB10 | PE13 | PB2    | PB0 | PA7       | VDD            | VSS           |

MSv49313V1

1. The above figure shows the package top view.

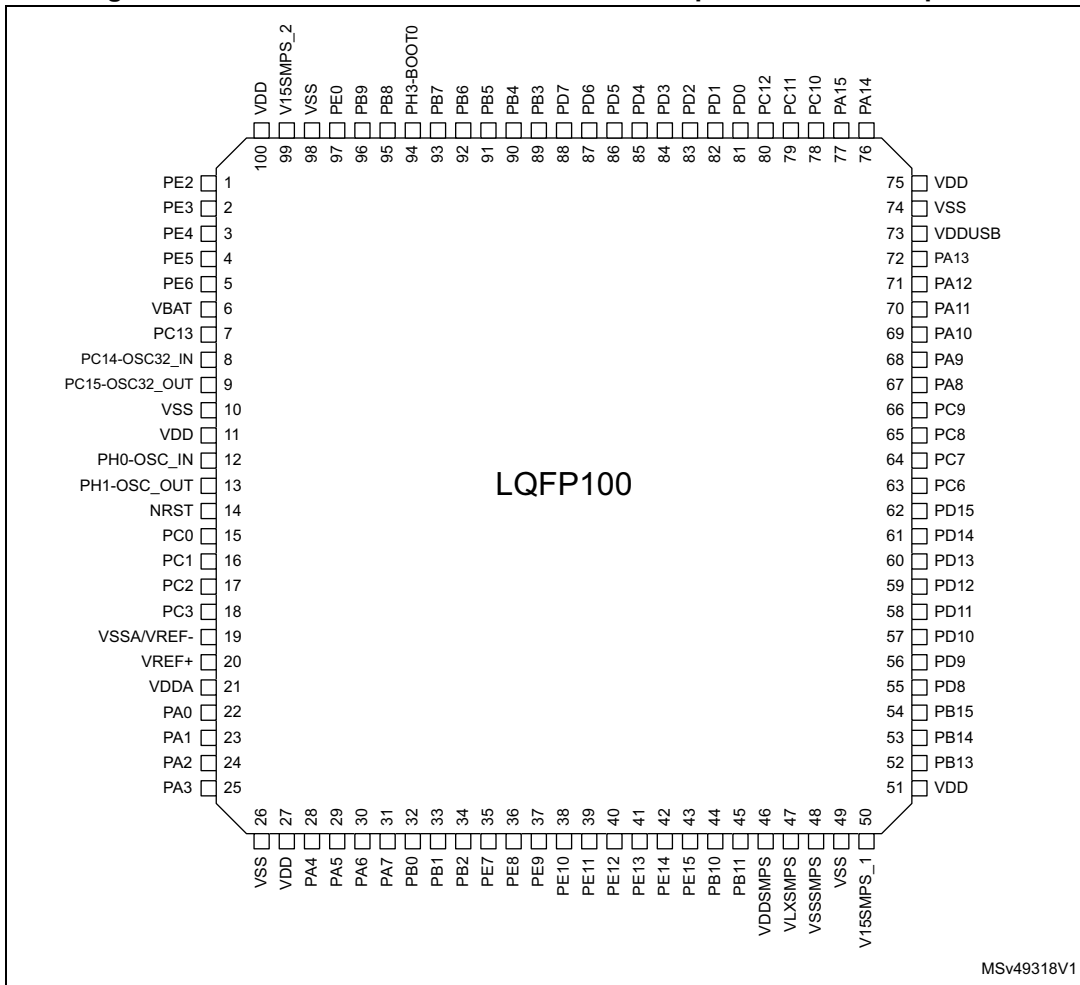
Figure 19. STM32L562xx LQFP100 pinout



1. The above figure shows the package top view.



Figure 20. STM32L562xxxxQ LQFP100 SMPS step down converter pinout



MSv49318V1

1. The above figure shows the package top view.

Figure 21. STM32L562xx UFBGA132 ballout

|     | 1              | 2               | 3               | 4    | 5   | 6    | 7    | 8      | 9    | 10   | 11   | 12     |     |     |     |     |
|-----|----------------|-----------------|-----------------|------|---|------|------|--------|------|------|------|--------|-----|-----|-----|-----|
| A   | PE5            | PE3             | PE1             | PB9  | PB6   | PG12 | PD6  | PD5    | PD2  | PC11 | PA15 | VDDUSB |     |     |     |     |
| B   | VBAT           | PE4             | PE2             | PG15 | PH3-BOOT0   | PB4  | PG9  | PD4    | PD1  | PC12 | PC10 | PA12   |     |     |     |     |
| C   | PC14-OSC32_IN  | PE6             | PC13            | PE0  | PB8   | PB3  | PG10 | PD3    | PD0  | PA13 | PA14 | PA11   |     |     |     |     |
| D   | PC15-OSC32_OUT | PF0             | PF3             | VDD  | PB7   | PB5  | PD7  | VDDIO2 | VDD  | PA9  | PA10 | PA8    |     |     |     |     |
| E   | PF2            | PF1             | PF4             | VSS  | <table border="1" style="margin: auto;"> <tr> <td>VSS</td> <td>VDD</td> </tr> <tr> <td>VDD</td> <td>VSS</td> </tr> </table> |      |      |        | VSS  | VDD  | VDD  | VSS    | VSS | PC7 | PC9 | PC8 |
| VSS | VDD            |                 |                 |      |   |      |      |        |      |      |      |        |     |     |     |     |
| VDD | VSS            |                 |                 |      |   |      |      |        |      |      |      |        |     |     |     |     |
| F   | PH0-OSC_IN     | PF5             | PC2             | PC3  |   |      |      |        | PG6  | PG7  | PC6  | PG8    |     |     |     |     |
| G   | PH1-OSC_OUT    | NRST            | PC1             | PA1  | PG4   | PG2  | PG3  | PG5    |      |      |      |        |     |     |     |     |
| H   | VSSA/VREF-     | PC0             | OPAMP1_VI<br>NM | VSS  | VSS   | PD14 | PD13 | PD15   |      |      |      |        |     |     |     |     |
| J   | VREF+          | PA0             | PC5             | VDD  | PF14  | PE8  | PE10 | PE12   | VDD  | PD9  | PD11 | PD12   |     |     |     |     |
| K   | VDDA           | PA2             | PA7             | PB2  | PF11  | PG1  | PE7  | PE14   | PB10 | PB13 | PB14 | PB15   |     |     |     |     |
| L   | PA3            | PA6             | PA4             | PB1  | PF12  | PF15 | PE11 | PE15   | PB11 | VSS  | PB12 | PD8    |     |     |     |     |
| M   | PA5            | OPAMP2_VI<br>NM | PC4             | PB0  | PF13  | PG0  | PE9  | PE13   | PG14 | PG13 | PG11 | PD10   |     |     |     |     |

MSv49325V1

1. The above figure shows the package top view.

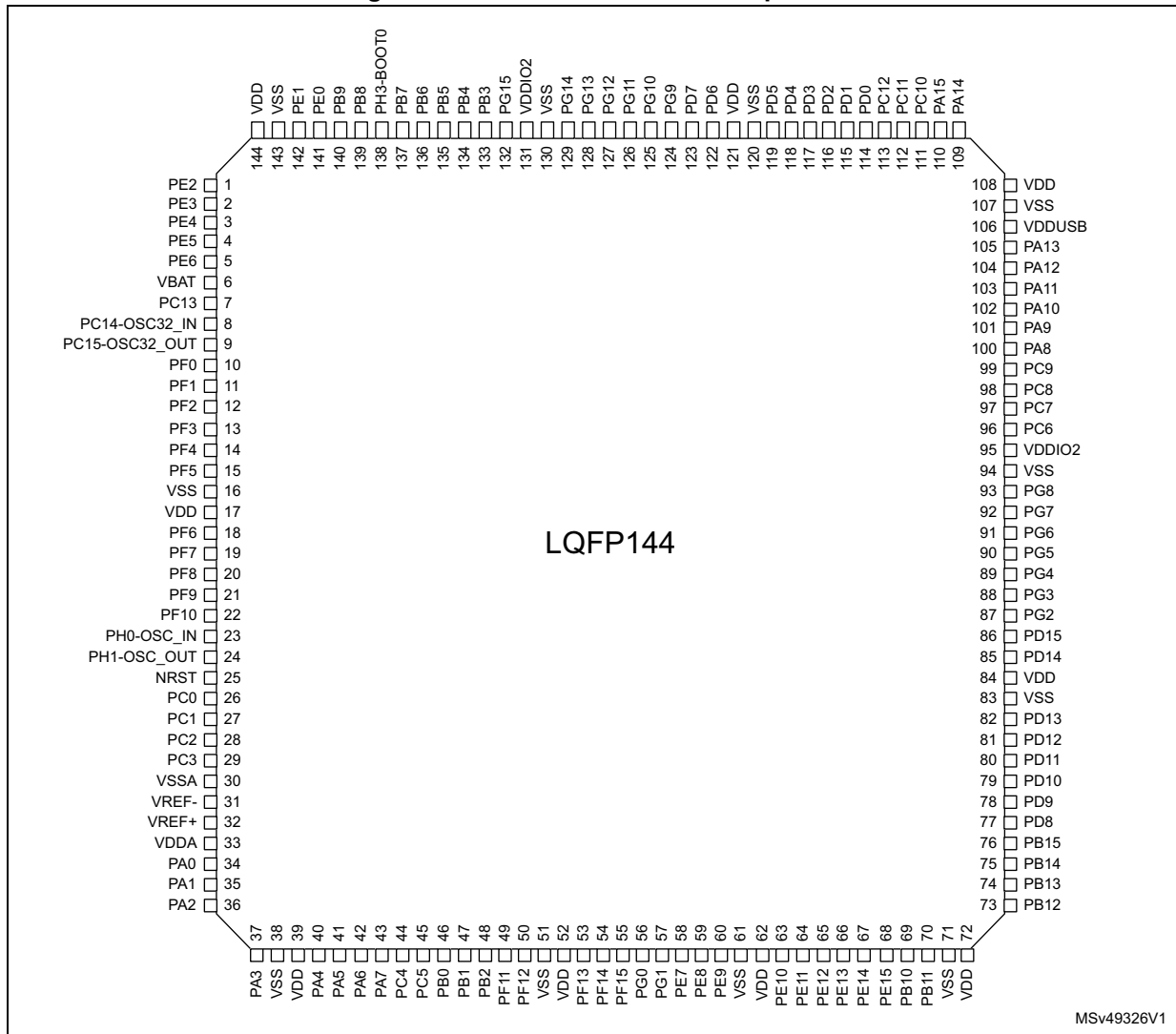
Figure 22. STM32L562xxxxQ UFBGA132 SMPS step down converter ballout

|     | 1              | 2               | 3               | 4         | 5   | 6    | 7    | 8      | 9       | 10      | 11        | 12     |     |     |     |     |
|-----|----------------|-----------------|-----------------|-----------|---|------|------|--------|---------|---------|-----------|--------|-----|-----|-----|-----|
| A   | PE5            | PE3             | PE1             | PB9       | PB6   | PG12 | PD6  | PD5    | PD2     | PC11    | PA15      | VDDUSB |     |     |     |     |
| B   | VBAT           | PE4             | PE2             | V15SMPS_2 | PH3-BOOT0   | PB4  | PG9  | PD4    | PD1     | PC12    | PC10      | PA12   |     |     |     |     |
| C   | PC14-OSC32_IN  | PE6             | PC13            | PE0       | PB8   | PB3  | PG10 | PD3    | PD0     | PA13    | PA14      | PA11   |     |     |     |     |
| D   | PC15-OSC32_OUT | PF0             | PF3             | VDD       | PB7   | PB5  | PD7  | VDDIO2 | VDD     | PA9     | PA10      | PA8    |     |     |     |     |
| E   | PF2            | PF1             | PF4             | VSS       | <table border="1" style="margin: auto;"> <tr> <td>VSS</td> <td>VDD</td> </tr> <tr> <td>VDD</td> <td>VSS</td> </tr> </table> |      |      |        | VSS     | VDD     | VDD       | VSS    | VSS | PC7 | PC9 | PC8 |
| VSS | VDD            |                 |                 |           |   |      |      |        |         |         |           |        |     |     |     |     |
| VDD | VSS            |                 |                 |           |   |      |      |        |         |         |           |        |     |     |     |     |
| F   | PH0-OSC_IN     | PF5             | PC2             | PC3       |   |      |      |        | PG6     | PG7     | PC6       | PG8    |     |     |     |     |
| G   | PH1-OSC_OUT    | NRST            | PC1             | PA1       | PG4   | PG2  | PG3  | PG5    |         |         |           |        |     |     |     |     |
| H   | VSSA/VREF-     | PC0             | OPAMP1_VI<br>NM | VSS       | VSS   | PD14 | PD13 | PD15   |         |         |           |        |     |     |     |     |
| J   | VREF+          | PA0             | PC5             | VDD       | PF14  | PE8  | PE10 | PE12   | VDD     | PD9     | PD11      | PD12   |     |     |     |     |
| K   | VDDA           | PA2             | PA7             | PB2       | PF11  | PG1  | PE7  | PE14   | PB10    | PB13    | PB14      | PB15   |     |     |     |     |
| L   | PA3            | PA6             | PA4             | PB1       | PF12  | PF15 | PE11 | PE15   | PB11    | VSSMPS  | PB12      | PD8    |     |     |     |     |
| M   | PA5            | OPAMP2_VI<br>NM | PC4             | PB0       | PF13  | PG0  | PE9  | PE13   | VDDSMPS | VLXSMPS | V15SMPS_1 | PD10   |     |     |     |     |

MSv49319V1

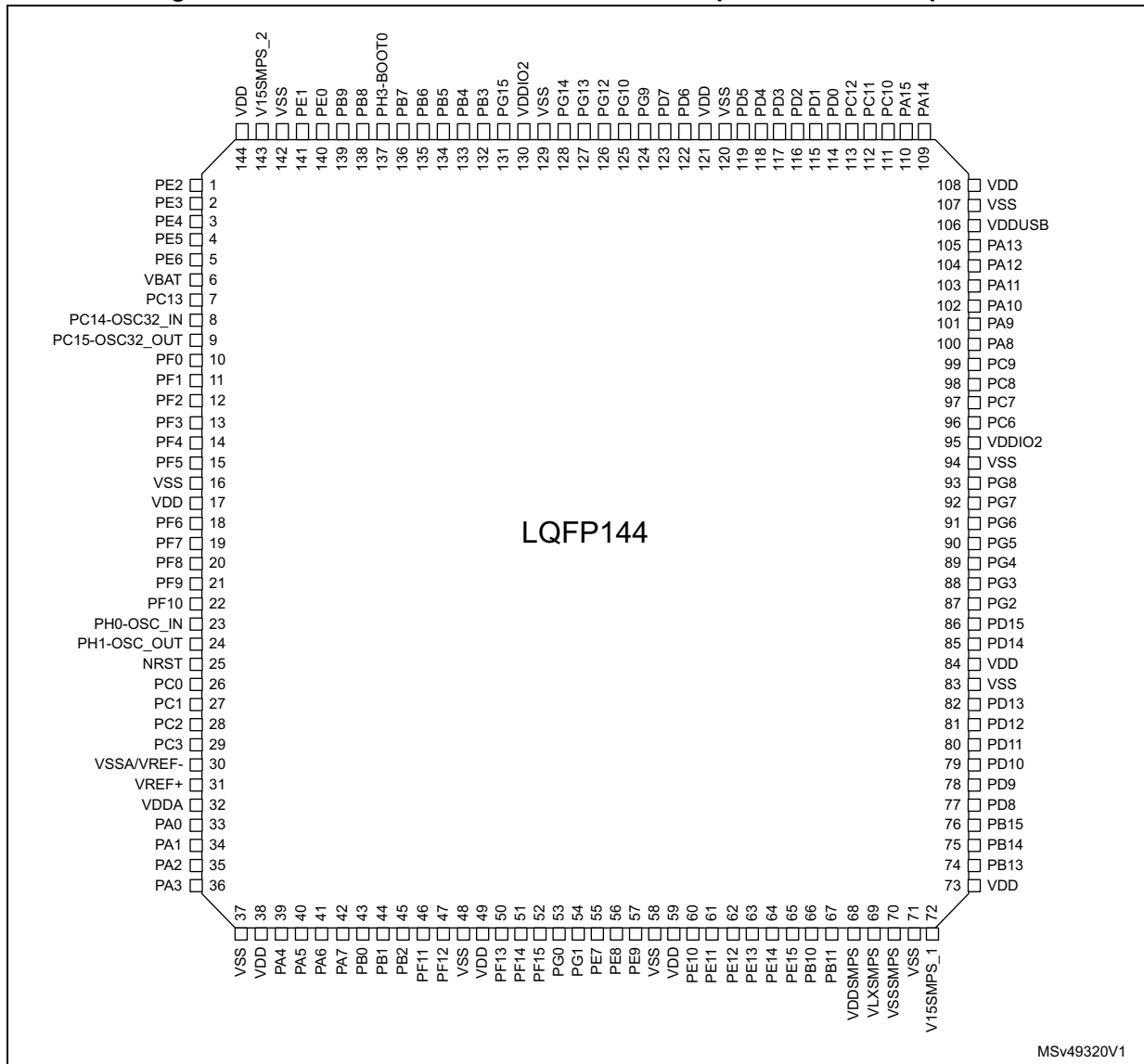
1. The above figure shows the package top view.

Figure 23. STM32L562xx LQFP144 pinout



1. The above figure shows the package top view.

Figure 24. STM32L562xxxxQ LQFP144 SMPS step down converter pinout



MSv49320V1

1. The above figure shows the package top view.


**Table 20. Legend/abbreviations used in the pinout table**

| Name          | Abbreviation  | Definition   |
|---------------|---|--|
| Pin name      | Unless otherwise specified in brackets below the pin name, the pin function during and after reset is the same as the actual pin name |  |
| Pin type      | S   | Supply pin   |
|               | I   | Input only pin   |
|               | I/O   | Input / output pin   |
| I/O structure | FT  | 5 V tolerant I/O   |
|               | TT  | 3.6 V tolerant I/O   |
|               | B   | Dedicated BOOT0 pin  |
|               | RST   | Bidirectional reset pin with embedded weak pull-up resistor      |
|               | <b>Option for TT or FT I/Os</b>   |  |
|               | _f <sup>(1)</sup>   | I/O, Fm+ capable   |
|               | _u <sup>(2)</sup>   | I/O, with USB function supplied by V <sub>DDUSB</sub>            |
|               | _a <sup>(3)(4)</sup>  | I/O, with Analog switch function supplied by V <sub>DDA</sub>    |
|               | _s <sup>(5)</sup>   | I/O supplied only by V <sub>DDIO2</sub>                          |
|               | _c  | I/O, USB Type-C PD capable                                       |
| _d            | I/O, USB Type-C PD dead battery function  |  |
| Notes         | Unless otherwise specified by a note, all I/Os are set as analog inputs during and after reset.                                       |  |
| Pin functions | Alternate functions   | Functions selected through GPIOx_AFR registers                   |
|               | Additional functions  | Functions directly selected/enabled through peripheral registers |

1. The related I/O structures in [Table 21](#) are: FT\_f, FT\_fa.
2. The related I/O structures in [Table 21](#) are: FT\_u.
3. The related I/O structures in [Table 21](#) are: FT\_a, FT\_fa, TT\_a.
4. The analog switch for the TSC function is supplied by V<sub>DD</sub>.
5. The related I/O structures in [Table 21](#) are: FT\_s, FT\_fs.



Table 21. STM32L562xx pin definitions

| Pin Number        |                 |                 |                  |                |              |              |               |              |             |        |        |         |          | Pin name<br>(function after reset) | Pin type | I/O structure | Notes | Alternate functions | Additional functions   |         |
|-------------------|-----------------|-----------------|------------------|----------------|--------------|--------------|---------------|--------------|-------------|--------|--------|---------|----------|------------------------------------|----------|---------------|-------|---------------------|--|---------|
| STM32L562xxxxP    |                 |                 |                  | STM32L562xxxxQ |              |              |               |              | STM32L562xx |        |        |         |          |                                    |          |               |       |                     |  |         |
| UFQFPN48_Ext-SMPS | LQFP48_Ext-SMPS | LQFP64_Ext-SMPS | WLCSP81_Ext-SMPS | LQFP64_SMPS    | WLCSP81_SMPS | LQFP100_SMPS | UFBGA132_SMPS | LQFP144_SMPS | UFQFPN48    | LQFP48 | LQFP64 | LQFP100 | UFBGA132 |                                    |          |               |       |                     |  | LQFP144 |
| -                 | -               | -               | -                | -              | -            | 1            | B3            | 1            | -           | -      | -      | 1       | B3       | 1                                  | PE2      | I/O           | FT    | -                   | TRACECK, TIM3_ETR, SAI1_CK1, TSC_G7_IO1, FMC_A23, SAI1_MCLK_A, EVENTOUT              | -       |
| -                 | -               | -               | -                | -              | -            | 2            | A2            | 2            | -           | -      | -      | 2       | A2       | 2                                  | PE3      | I/O           | FT    | -                   | TRACED0, TIM3_CH1, OCTOSPI1_DQS, TSC_G7_IO2, FMC_A19, SAI1_SD_B, EVENTOUT            | -       |
| -                 | -               | -               | -                | -              | -            | 3            | B2            | 3            | -           | -      | -      | 3       | B2       | 3                                  | PE4      | I/O           | FT    | -                   | TRACED1, TIM3_CH2, SAI1_D2, DFSDM1_DATIN3, TSC_G7_IO3, FMC_A20, SAI1_FS_A, EVENTOUT  | -       |
| -                 | -               | -               | -                | -              | -            | 4            | A1            | 4            | -           | -      | -      | 4       | A1       | 4                                  | PE5      | I/O           | FT    | -                   | TRACED2, TIM3_CH3, SAI1_CK2, DFSDM1_CKIN3, TSC_G7_IO4, FMC_A21, SAI1_SCK_A, EVENTOUT | -       |



Table 21. STM32L562xx pin definitions (continued)

| Pin Number        |                 |                 |                  |                |              |              |               |              |             |        |        |         |          | Pin name<br>(function after reset) | Pin type                         | I/O structure | Notes    | Alternate functions | Additional functions  |  |
|-------------------|-----------------|-----------------|------------------|----------------|--------------|--------------|---------------|--------------|-------------|--------|--------|---------|----------|------------------------------------|----------------------------------|---------------|----------|---------------------|---|--|
| STM32L562xxxxP    |                 |                 |                  | STM32L562xxxxQ |              |              |               |              | STM32L562xx |        |        |         |          |                                    |                                  |               |          |                     |   |  |
| UFQFPN48_Ext-SMPS | LQFP48_Ext-SMPS | LQFP64_Ext-SMPS | WLCSP81_Ext-SMPS | LQFP64_SMPS    | WLCSP81_SMPS | LQFP100_SMPS | UFBGA132_SMPS | LQFP144_SMPS | UFQFPN48    | LQFP48 | LQFP64 | LQFP100 | UFBGA132 |                                    |                                  |               |          |                     |   | LQFP144  |
| -                 | -               | -               | -                | -              | -            | 5            | C2            | 5            | -           | -      | -      | 5       | C2       | 5                                  | PE6                              | I/O           | FT       | -                   | TRACED3, TIM3_CH4,<br>SAI1_D1, FMC_A22,<br>SAI1_SD_A,<br>EVENTOUT | WKUP3,<br>TAMP_IN3/TAMP_<br>OUT6                         |
| 1                 | 1               | 1               | B9               | 1              | B9           | 6            | B1            | 6            | 1           | 1      | 1      | 6       | B1       | 6                                  | VBAT                             | S             | -        | -                   | -   | -  |
| 2                 | 2               | 2               | B7               | 2              | B7           | 7            | C3            | 7            | 2           | 2      | 2      | 7       | C3       | 7                                  | PC13                             | I/O           | FT       | (1)<br>(2)          | EVENTOUT  | WKUP2,<br>RTC_TS/RTC_<br>OUT1,<br>TAMP_IN1/TAMP_<br>OUT2 |
| 3                 | 3               | 3               | C9               | 3              | C9           | 8            | C1            | 8            | 3           | 3      | 3      | 8       | C1       | 8                                  | PC14-<br>OSC3<br>2_IN<br>(PC14)  | I/O           | FT       | (1)<br>(2)          | EVENTOUT  | OSC32_IN   |
| 4                 | 4               | 4               | C8               | 4              | C8           | 9            | D1            | 9            | 4           | 4      | 4      | 9       | D1       | 9                                  | PC15-<br>OSC3<br>2_OUT<br>(PC15) | I/O           | FT       | (1)<br>(2)          | EVENTOUT  | OSC32_OUT  |
| -                 | -               | -               | -                | -              | -            | -            | D2            | 10           | -           | -      | -      | -       | D2       | 10                                 | PF0                              | I/O           | FT<br>_f | -                   | I2C2_SDA, FMC_A0,<br>EVENTOUT                                     | -  |
| -                 | -               | -               | -                | -              | -            | -            | E2            | 11           | -           | -      | -      | -       | E2       | 11                                 | PF1                              | I/O           | FT<br>_f | -                   | I2C2_SCL, FMC_A1,<br>EVENTOUT                                     | -  |



Table 21. STM32L562xx pin definitions (continued)

| Pin Number        |                 |                 |                  |                |              |              |               |              |             |        |        |         |          | Pin name<br>(function after reset) | Pin type | I/O structure | Notes | Alternate functions | Additional functions                                  |                    |
|-------------------|-----------------|-----------------|------------------|----------------|--------------|--------------|---------------|--------------|-------------|--------|--------|---------|----------|------------------------------------|----------|---------------|-------|---------------------|---|--------------------|
| STM32L562xxxxP    |                 |                 |                  | STM32L562xxxxQ |              |              |               |              | STM32L562xx |        |        |         |          |                                    |          |               |       |                     |   |                    |
| UFQFPN48_Ext-SMPS | LQFP48_Ext-SMPS | LQFP64_Ext-SMPS | WLCSP81_Ext-SMPS | LQFP64_SMPS    | WLCSP81_SMPS | LQFP100_SMPS | UFBGA132_SMPS | LQFP144_SMPS | UFQFPN48    | LQFP48 | LQFP64 | LQFP100 | UFBGA132 |                                    |          |               |       |                     |   | LQFP144            |
| -                 | -               | -               | -                | -              | -            | -            | E1            | 12           | -           | -      | -      | -       | E1       | 12                                 | PF2      | I/O           | FT    | -                   | I2C2_SMBA, FMC_A2, EVENTOUT                           | -                  |
| -                 | -               | -               | -                | -              | -            | -            | D3            | 13           | -           | -      | -      | -       | D3       | 13                                 | PF3      | I/O           | FT    | -                   | LPTIM3_IN1, FMC_A3, EVENTOUT                          | -                  |
| -                 | -               | -               | -                | -              | -            | -            | E3            | 14           | -           | -      | -      | -       | E3       | 14                                 | PF4      | I/O           | FT    | -                   | LPTIM3_ETR, FMC_A4, EVENTOUT                          | -                  |
| -                 | -               | -               | -                | -              | -            | -            | F2            | 15           | -           | -      | -      | -       | F2       | 15                                 | PF5      | I/O           | FT    | -                   | LPTIM3_OUT, FMC_A5, EVENTOUT                          | -                  |
| -                 | -               | -               | -                | -              | -            | 10           | F6            | 16           | -           | -      | -      | 10      | F6       | 16                                 | VSS      | S             | -     | -                   | -   | -                  |
| -                 | -               | -               | -                | -              | -            | 11           | F7            | 17           | -           | -      | -      | 11      | F7       | 17                                 | VDD      | S             | -     | -                   | -   | -                  |
| -                 | -               | -               | -                | -              | -            | -            | -             | 18           | -           | -      | -      | -       | -        | 18                                 | PF6      | I/O           | FT    | -                   | TIM5_ETR, TIM5_CH1, OCTOSPI1_IO3, SAI1_SD_B, EVENTOUT | -                  |
| -                 | -               | -               | -                | -              | -            | -            | -             | 19           | -           | -      | -      | -       | -        | 19                                 | PF7      | I/O           | FT    | -                   | TIM5_CH2, OCTOSPI1_IO2, SAI1_MCLK_B, EVENTOUT         | TAMP_IN6/TAMP_OUT3 |
| -                 | -               | -               | -                | -              | -            | -            | -             | 20           | -           | -      | -      | -       | -        | 20                                 | PF8      | I/O           | FT    | -                   | TIM5_CH3, OCTOSPI1_IO0, SAI1_SCK_B, EVENTOUT          | TAMP_IN7/TAMP_OUT8 |





Table 21. STM32L562xx pin definitions (continued)

| Pin Number        |                 |                 |                  |                |              |              |               |              |          |        |        |         |          | Pin name<br>(function after reset) | Pin type                     | I/O structure | Notes   | Alternate functions | Additional functions   |                    |
|-------------------|-----------------|-----------------|------------------|----------------|--------------|--------------|---------------|--------------|----------|--------|--------|---------|----------|------------------------------------|------------------------------|---------------|---------|---------------------|--|--------------------|
| STM32L562xxxxP    |                 |                 |                  | STM32L562xxxxQ |              |              |               | STM32L562xx  |          |        |        |         |          |                                    |                              |               |         |                     |  |                    |
| UFQFPN48_Ext-SMPS | LQFP48_Ext-SMPS | LQFP64_Ext-SMPS | WLCSP81_Ext-SMPS | LQFP64_SMPS    | WLCSP81_SMPS | LQFP100_SMPS | UFBGA132_SMPS | LQFP144_SMPS | UFQFPN48 | LQFP48 | LQFP64 | LQFP100 | UFBGA132 |                                    |                              |               |         |                     |  | LQFP144            |
| -                 | -               | -               | -                | -              | -            | -            | -             | 21           | -        | -      | -      | -       | -        | 21                                 | PF9                          | I/O           | FT      | -                   | TIM5_CH4,<br>OCTOSPI1_IO1,<br>SAI1_FS_B,<br>TIM15_CH1,<br>EVENTOUT | TAMP_IN8/TAMP_OUT7 |
| -                 | -               | -               | -                | -              | -            | -            | -             | 22           | -        | -      | -      | -       | -        | 22                                 | PF10                         | I/O           | FT      | -                   | OCTOSPI1_CLK,<br>DFSDM1_CKOUT,<br>SAI1_D3, TIM15_CH2,<br>EVENTOUT  | -                  |
| 5                 | 5               | 5               | D9               | 5              | D9           | 12           | F1            | 23           | 5        | 5      | 5      | 12      | F1       | 23                                 | PH0-<br>OSC_I<br>N<br>(PH0)  | I/O           | FT      | -                   | EVENTOUT   | OSC_IN             |
| 6                 | 6               | 6               | D8               | 6              | D8           | 13           | G1            | 24           | 6        | 6      | 6      | 13      | G1       | 24                                 | PH1-<br>OSC_<br>OUT<br>(PH1) | I/O           | FT      | -                   | EVENTOUT   | OSC_OUT            |
| 7                 | 7               | 7               | E9               | 7              | E9           | 14           | G2            | 25           | 7        | 7      | 7      | 14      | G2       | 25                                 | NRST                         | I-O           | RS<br>T | -                   | -  | -                  |



Table 21. STM32L562xx pin definitions (continued)

| Pin Number        |                 |                 |                  |                |              |              |               |              |          |        |        |         |          | Pin name<br>(function after reset) | Pin type | I/O structure | Notes | Alternate functions | Additional functions  |           |
|-------------------|-----------------|-----------------|------------------|----------------|--------------|--------------|---------------|--------------|----------|--------|--------|---------|----------|------------------------------------|----------|---------------|-------|---------------------|---|-----------|
| STM32L562xxxxP    |                 |                 |                  | STM32L562xxxxQ |              |              |               | STM32L562xx  |          |        |        |         |          |                                    |          |               |       |                     |   |           |
| UFQFPN48_Ext-SMPS | LQFP48_Ext-SMPS | LQFP64_Ext-SMPS | WLCSP81_Ext-SMPS | LQFP64_SMPS    | WLCSP81_SMPS | LQFP100_SMPS | UFBGA132_SMPS | LQFP144_SMPS | UFQFPN48 | LQFP48 | LQFP64 | LQFP100 | UFBGA132 |                                    |          |               |       |                     |   | LQFP144   |
| -                 | -               | 8               | E7               | 8              | E7           | 15           | H2            | 26           | -        | -      | 8      | 15      | H2       | 26                                 | PC0      | I/O           | FT_fa | -                   | LPTIM1_IN1,<br>OCTOSPI1_IO7,<br>I2C3_SCL,<br>LPUART1_RX,<br>SDMMC1_D5,<br>SAI2_FS_A,<br>LPTIM2_IN1,<br>EVENTOUT | ADC12_IN1 |
| -                 | -               | 9               | F8               | 9              | F8           | 16           | G3            | 27           | -        | -      | 9      | 16      | G3       | 27                                 | PC1      | I/O           | FT_fa | -                   | TRACED0,<br>LPTIM1_OUT,<br>SPI2_MOSI,<br>I2C3_SDA,<br>LPUART1_TX,<br>OCTOSPI1_IO4,<br>SAI1_SD_A,<br>EVENTOUT    | ADC12_IN2 |
| -                 | -               | 10              | F7               | 10             | F7           | 17           | F3            | 28           | -        | -      | 10     | 17      | F3       | 28                                 | PC2      | I/O           | FT_a  | -                   | LPTIM1_IN2,<br>SPI2_MISO,<br>DFSDM1_CKOUT,<br>OCTOSPI1_IO5,<br>EVENTOUT   | ADC12_IN3 |



Table 21. STM32L562xx pin definitions (continued)

| Pin Number        |                 |                 |                  |                |              |              |               |              |             |        |        |         |          |         | Pin name<br>(function after reset) | Pin type | I/O structure | Notes | Alternate functions   | Additional functions |
|-------------------|-----------------|-----------------|------------------|----------------|--------------|--------------|---------------|--------------|-------------|--------|--------|---------|----------|---------|------------------------------------|----------|---------------|-------|---|----------------------|
| STM32L562xxxxP    |                 |                 |                  | STM32L562xxxxQ |              |              |               |              | STM32L562xx |        |        |         |          |         |                                    |          |               |       |   |                      |
| UFQFPN48_Ext-SMPS | LQFP48_Ext-SMPS | LQFP64_Ext-SMPS | WLCSP81_Ext-SMPS | LQFP64_SMPS    | WLCSP81_SMPS | LQFP100_SMPS | UFBGA132_SMPS | LQFP144_SMPS | UFQFPN48    | LQFP48 | LQFP64 | LQFP100 | UFBGA132 | LQFP144 |                                    |          |               |       |   |                      |
| -                 | -               | 11              | G7               | 11             | G7           | 18           | F4            | 29           | -           | -      | 11     | 18      | F4       | 29      | PC3                                | I/O      | FT<br>_a      | -     | LPTIM1_ETR,<br>LPTIM3_OUT,<br>SAI1_D1, SPI2_MOSI,<br>OCTOSPI1_IO6,<br>SAI1_SD_A,<br>LPTIM2_ETR,<br>EVENTOUT | ADC12_IN4            |
| -                 | -               | -               | -                | -              | -            | -            | -             | -            | -           | -      | -      | 19      | -        | 30      | VSSA                               | S        | -             | -     | -   | -                    |
| -                 | -               | -               | -                | -              | -            | -            | -             | -            | -           | -      | -      | 20      | -        | 31      | VREF-                              | S        | -             | -     | -   | -                    |
| 8                 | 8               | 12              | G9               | 12             | G9           | 19           | H1            | 30           | 8           | 8      | 12     | -       | H1       | -       | VSSA/<br>VREF-                     | S        | -             | -     | -   | -                    |
| -                 | -               | -               | G8               | -              | G8           | 20           | J1            | 31           | -           | -      | -      | 21      | J1       | 32      | VREF<br>+                          | S        | -             | -     | -   | VREFBUF_OUT          |
| -                 | -               | -               | H9               | -              | H9           | 21           | K1            | 32           | -           | -      | -      | 22      | K1       | 33      | VDDA                               | S        | -             | -     | -   | -                    |
| 9                 | 9               | 13              | -                | 13             | -            | -            | -             | -            | 9           | 9      | 13     | -       | -        | -       | VDDA/<br>VREF<br>+                 | S        | -             | -     | -   | -                    |



Table 21. STM32L562xx pin definitions (continued)

| Pin Number        |                 |                 |                  |                |              |              |               |              |          |        |        |         |          | Pin name<br>(function after reset) | Pin type    | I/O structure | Notes | Alternate functions | Additional functions  |   |
|-------------------|-----------------|-----------------|------------------|----------------|--------------|--------------|---------------|--------------|----------|--------|--------|---------|----------|------------------------------------|-------------|---------------|-------|---------------------|---|---|
| STM32L562xxxxP    |                 |                 |                  | STM32L562xxxxQ |              |              |               | STM32L562xx  |          |        |        |         |          |                                    |             |               |       |                     |   |   |
| UFQFPN48_Ext-SMPS | LQFP48_Ext-SMPS | LQFP64_Ext-SMPS | WLCSP81_Ext-SMPS | LQFP64_SMPS    | WLCSP81_SMPS | LQFP100_SMPS | UFBGA132_SMPS | LQFP144_SMPS | UFQFPN48 | LQFP48 | LQFP64 | LQFP100 | UFBGA132 |                                    |             |               |       |                     |   | LQFP144   |
| 10                | 10              | 14              | H8               | 14             | H8           | 22           | J2            | 33           | 10       | 10     | 14     | 23      | J2       | 34                                 | PA0         | I/O           | FT_a  | -                   | TIM2_CH1, TIM5_CH1, TIM8_ETR, USART2_CTS/USART2_NSS, UART4_TX, SAI1_EXTCLK, TIM2_ETR, EVENTOUT              | OPAMP1_VINP, ADC12_IN5, WKUP1, TAMP_IN2/TAMP_OUT1 |
| -                 | -               | -               | -                | -              | -            | -            | H3            | -            | -        | -      | -      | -       | H3       | -                                  | OPAMP1_VINM | I             | TT    | -                   | -   | -   |
| 11                | 11              | 15              | F6               | 15             | F6           | 23           | G4            | 34           | 11       | 11     | 15     | 24      | G4       | 35                                 | PA1         | I/O           | FT_a  | -                   | TIM2_CH2, TIM5_CH2, I2C1_SMBA, SPI1_SCK, USART2_RTS/USART2_DE, UART4_RX, OCTOSPI1_DQS, TIM15_CH1N, EVENTOUT | OPAMP1_VINM, ADC12_IN6, TAMP_IN5/TAMP_OUT4        |



Table 21. STM32L562xx pin definitions (continued)

| Pin Number        |                 |                 |                  |                |              |              |               |              |          |        |        |         |          | Pin name<br>(function after reset) | Pin type | I/O structure | Notes | Alternate functions | Additional functions  |                                  |
|-------------------|-----------------|-----------------|------------------|----------------|--------------|--------------|---------------|--------------|----------|--------|--------|---------|----------|------------------------------------|----------|---------------|-------|---------------------|---|----------------------------------|
| STM32L562xxxxP    |                 |                 |                  | STM32L562xxxxQ |              |              |               | STM32L562xx  |          |        |        |         |          |                                    |          |               |       |                     |   |                                  |
| UFQFPN48_Ext-SMPS | LQFP48_Ext-SMPS | LQFP64_Ext-SMPS | WLCSP81_Ext-SMPS | LQFP64_SMPS    | WLCSP81_SMPS | LQFP100_SMPS | UFBGA132_SMPS | LQFP144_SMPS | UFQFPN48 | LQFP48 | LQFP64 | LQFP100 | UFBGA132 |                                    |          |               |       |                     |   | LQFP144                          |
| 12                | 12              | 16              | G6               | 16             | G6           | 24           | K2            | 35           | 12       | 12     | 16     | 25      | K2       | 36                                 | PA2      | I/O           | FT_a  | -                   | TIM2_CH3, TIM5_CH3, USART2_TX, LPUART1_TX, OCTOSPI1_NCS, UCPD1_FRSTX1, SAI2_EXTCLK, TIM15_CH1, EVENTOUT | ADC12_IN7, WKUP4/LSCO, COMP1_INP |
| 13                | 13              | 17              | F5               | 17             | F5           | 25           | L1            | 36           | 13       | 13     | 17     | 26      | L1       | 37                                 | PA3      | I/O           | TT_a  | -                   | TIM2_CH4, TIM5_CH4, SAI1_CK1, USART2_RX, LPUART1_RX, OCTOSPI1_CLK, SAI1_MCLK_A, TIM15_CH2, EVENTOUT     | OPAMP1_VOUT, ADC12_IN8           |
| -                 | -               | 18              | H2               | 18             | H2           | 26           | G7            | 37           | -        | -      | 18     | 27      | G7       | 38                                 | VSS      | S             | -     | -                   | -   | -                                |
| -                 | -               | 19              | -                | 19             | -            | 27           | G6            | 38           | -        | -      | 19     | 28      | G6       | 39                                 | VDD      | S             | -     | -                   | -   | -                                |
| 14                | 14              | 20              | H7               | 20             | H7           | 28           | L3            | 39           | 14       | 14     | 20     | 29      | L3       | 40                                 | PA4      | I/O           | TT_a  | -                   | OCTOSPI1_NCS, SPI1_NSS, SPI3_NSS, USART2_CK, SAI1_FS_B, LPTIM2_OUT, EVENTOUT                            | ADC12_IN9, DAC1_OUT1             |



Table 21. STM32L562xx pin definitions (continued)

| Pin Number        |                 |                 |                  |                |              |              |               |              |          |        |        |         |          | Pin name<br>(function after reset) | Pin type    | I/O structure | Notes    | Alternate functions | Additional functions   |                         |
|-------------------|-----------------|-----------------|------------------|----------------|--------------|--------------|---------------|--------------|----------|--------|--------|---------|----------|------------------------------------|-------------|---------------|----------|---------------------|--|-------------------------|
| STM32L562xxxxP    |                 |                 |                  | STM32L562xxxxQ |              |              |               | STM32L562xx  |          |        |        |         |          |                                    |             |               |          |                     |  |                         |
| UFQFPN48_Ext-SMPS | LQFP48_Ext-SMPS | LQFP64_Ext-SMPS | WLCSP81_Ext-SMPS | LQFP64_SMPS    | WLCSP81_SMPS | LQFP100_SMPS | UFBGA132_SMPS | LQFP144_SMPS | UFQFPN48 | LQFP48 | LQFP64 | LQFP100 | UFBGA132 |                                    |             |               |          |                     |  | LQFP144                 |
| 15                | 15              | 21              | H6               | 21             | H6           | 29           | M1            | 40           | 15       | 15     | 21     | 30      | M1       | 41                                 | PA5         | I/O           | TT<br>_a | -                   | TIM2_CH1, TIM2_ETR, TIM8_CH1N, SPI1_SCK, LPTIM2_ETR, EVENTOUT  | ADC12_IN10, DAC1_OUT2   |
| 16                | 16              | 22              | G5               | 22             | G5           | 30           | L2            | 41           | 16       | 16     | 22     | 31      | L2       | 42                                 | PA6         | I/O           | FT<br>_a | -                   | TIM1_BKIN, TIM3_CH1, TIM8_BKIN, SPI1_MISO, USART3_CTS/USART3_NSS, LPUART1_CTS, OCTOSPI1_IO3, TIM16_CH1, EVENTOUT | OPAMP2_VINP, ADC12_IN11 |
| -                 | -               | -               | -                | -              | -            | -            | M2            | -            | -        | -      | -      | -       | M2       | -                                  | OPAMP2_VINM | I             | TT       | -                   | -  | -                       |



Table 21. STM32L562xx pin definitions (continued)

| Pin Number        |                 |                 |                  |                |              |              |               |              |             |        |        |         |          |         | Pin name<br>(function after reset) | Pin type | I/O structure | Notes | Alternate functions   | Additional functions                                      |
|-------------------|-----------------|-----------------|------------------|----------------|--------------|--------------|---------------|--------------|-------------|--------|--------|---------|----------|---------|------------------------------------|----------|---------------|-------|---|---|
| STM32L562xxxxP    |                 |                 |                  | STM32L562xxxxQ |              |              |               |              | STM32L562xx |        |        |         |          |         |                                    |          |               |       |   |   |
| UFQFPN48_Ext-SMPS | LQFP48_Ext-SMPS | LQFP64_Ext-SMPS | WLCSP81_Ext-SMPS | LQFP64_SMPS    | WLCSP81_SMPS | LQFP100_SMPS | UFBGA132_SMPS | LQFP144_SMPS | UFQFPN48    | LQFP48 | LQFP64 | LQFP100 | UFBGA132 | LQFP144 |                                    |          |               |       |   |   |
| 17                | 17              | 23              | J7               | 23             | J7           | 31           | K3            | 42           | 17          | 17     | 23     | 32      | K3       | 43      | PA7                                | I/O      | FT_fa         | -     | TIM1_CH1N,<br>TIM3_CH2,<br>TIM8_CH1N,<br>I2C3_SCL,<br>SPI1_MOSI,<br>OCTOSPI1_IO2,<br>TIM17_CH1,<br>EVENTOUT                 | OPAMP2_VINM,<br>ADC12_IN12                                |
| -                 | -               | 24              | G4               | -              | G4           | -            | M3            | -            | -           | -      | 24     | 33      | M3       | 44      | PC4                                | I/O      | FT_a          | -     | USART3_TX,<br>OCTOSPI1_IO7,<br>EVENTOUT   | COMP1_INM,<br>ADC12_IN13                                  |
| -                 | -               | -               | -                | -              | -            | -            | J3            | -            | -           | -      | 25     | 34      | J3       | 45      | PC5                                | I/O      | FT_a          | -     | SAI1_D3,<br>USART3_RX,<br>EVENTOUT  | ADC12_IN14,<br>WKUP5,<br>TAMP_IN4/TAMP_OUT5,<br>COMP1_INP |
| 18                | 18              | 25              | J6               | 24             | J6           | 32           | M4            | 43           | 18          | 18     | 26     | 35      | M4       | 46      | PB0                                | I/O      | TT_a          | -     | TIM1_CH2N,<br>TIM3_CH3,<br>TIM8_CH2N,<br>SPI1_NSS,<br>USART3_CK,<br>OCTOSPI1_IO1,<br>COMP1_OUT,<br>SAI1_EXTCLK,<br>EVENTOUT | OPAMP2_VOUT,<br>ADC12_IN15                                |



Table 21. STM32L562xx pin definitions (continued)

| Pin Number        |                 |                 |                  |                |              |              |               |              |             |        |        |         |          |         | Pin name<br>(function after reset) | Pin type | I/O structure | Notes | Alternate functions   | Additional functions     |
|-------------------|-----------------|-----------------|------------------|----------------|--------------|--------------|---------------|--------------|-------------|--------|--------|---------|----------|---------|------------------------------------|----------|---------------|-------|---|--------------------------|
| STM32L562xxxxP    |                 |                 |                  | STM32L562xxxxQ |              |              |               |              | STM32L562xx |        |        |         |          |         |                                    |          |               |       |   |                          |
| UFQFPN48_Ext-SMPS | LQFP48_Ext-SMPS | LQFP64_Ext-SMPS | WLCSP81_Ext-SMPS | LQFP64_SMPS    | WLCSP81_SMPS | LQFP100_SMPS | UFBGA132_SMPS | LQFP144_SMPS | UFQFPN48    | LQFP48 | LQFP64 | LQFP100 | UFBGA132 | LQFP144 |                                    |          |               |       |   |                          |
| 19                | 19              | 26              | H5               | 25             | H5           | 33           | L4            | 44           | 19          | 19     | 27     | 36      | L4       | 47      | PB1                                | I/O      | FT_a          | -     | TIM1_CH3N,<br>TIM3_CH4,<br>TIM8_CH3N,<br>DFSDM1_DATIN0,<br>USART3_RTS/USART3_DE,<br>LPUART1_RTS/LPUART1_DE,<br>OCTOSPI1_IO0,<br>LPTIM2_IN1,<br>EVENTOUT | COMP1_INM,<br>ADC12_IN16 |
| 20                | 20              | 27              | J5               | 26             | J5           | 34           | K4            | 45           | 20          | 20     | 28     | 37      | K4       | 48      | PB2                                | I/O      | FT_a          | -     | LPTIM1_OUT,<br>I2C3_SMBA,<br>DFSDM1_CKIN0,<br>OCTOSPI1_DQS,<br>UCPD1_FRSTX1,<br>EVENTOUT  | RTC_OUT2,<br>COMP1_INP   |
| -                 | -               | -               | -                | -              | -            | -            | K5            | 46           | -           | -      | -      | -       | K5       | 49      | PF11                               | I/O      | FT            | -     | OCTOSPI1_NCLK,<br>EVENTOUT  | -                        |
| -                 | -               | -               | -                | -              | -            | -            | L5            | 47           | -           | -      | -      | -       | L5       | 50      | PF12                               | I/O      | FT            | -     | FMC_A6, EVENTOUT  | -                        |
| -                 | -               | -               | J9               | -              | J9           | -            | -             | 48           | -           | -      | -      | -       | -        | 51      | VSS                                | S        | -             | -     | -   | -                        |
| -                 | -               | -               | J8               | -              | J8           | -            | -             | 49           | -           | -      | -      | -       | -        | 52      | VDD                                | S        | -             | -     | -   | -                        |
| -                 | -               | -               | -                | -              | -            | -            | M5            | 50           | -           | -      | -      | -       | M5       | 53      | PF13                               | I/O      | FT            | -     | I2C4_SMBA, FMC_A7,<br>EVENTOUT  | -                        |





Table 21. STM32L562xx pin definitions (continued)

| Pin Number        |                 |                 |                  |                |              |              |               |              |          |        |        |         |          | Pin name<br>(function after reset) | Pin type | I/O structure | Notes    | Alternate functions | Additional functions   |         |
|-------------------|-----------------|-----------------|------------------|----------------|--------------|--------------|---------------|--------------|----------|--------|--------|---------|----------|------------------------------------|----------|---------------|----------|---------------------|--|---------|
| STM32L562xxxxP    |                 |                 |                  | STM32L562xxxxQ |              |              |               | STM32L562xx  |          |        |        |         |          |                                    |          |               |          |                     |  |         |
| UFQFPN48_Ext-SMPS | LQFP48_Ext-SMPS | LQFP64_Ext-SMPS | WLCSP81_Ext-SMPS | LQFP64_SMPS    | WLCSP81_SMPS | LQFP100_SMPS | UFBGA132_SMPS | LQFP144_SMPS | UFQFPN48 | LQFP48 | LQFP64 | LQFP100 | UFBGA132 |                                    |          |               |          |                     |  | LQFP144 |
| -                 | -               | -               | -                | -              | -            | -            | J5            | 51           | -        | -      | -      | -       | J5       | 54                                 | PF14     | I/O           | FT<br>_f | -                   | I2C4_SCL,<br>TSC_G8_IO1,<br>FMC_A8, EVENTOUT                                   | -       |
| -                 | -               | -               | -                | -              | -            | -            | L6            | 52           | -        | -      | -      | -       | L6       | 55                                 | PF15     | I/O           | FT<br>_f | -                   | I2C4_SDA,<br>TSC_G8_IO2,<br>FMC_A9, EVENTOUT                                   | -       |
| -                 | -               | -               | -                | -              | -            | -            | M6            | 53           | -        | -      | -      | -       | M6       | 56                                 | PG0      | I/O           | FT       | -                   | TSC_G8_IO3,<br>FMC_A10, EVENTOUT   | -       |
| -                 | -               | -               | -                | -              | -            | -            | K6            | 54           | -        | -      | -      | -       | K6       | 57                                 | PG1      | I/O           | FT       | -                   | TSC_G8_IO4,<br>FMC_A11, EVENTOUT   | -       |
| -                 | -               | -               | -                | -              | -            | 35           | K7            | 55           | -        | -      | -      | 38      | K7       | 58                                 | PE7      | I/O           | FT       | -                   | TIM1_ETR,<br>DFSDM1_DATIN2,<br>FMC_D4, SAI1_SD_B,<br>EVENTOUT                  | -       |
| -                 | -               | -               | -                | -              | -            | 36           | J6            | 56           | -        | -      | -      | 39      | J6       | 59                                 | PE8      | I/O           | FT       | -                   | TIM1_CH1N,<br>DFSDM1_CKIN2,<br>FMC_D5,<br>SAI1_SCK_B,<br>EVENTOUT              | -       |
| -                 | -               | -               | -                | -              | -            | 37           | M7            | 57           | -        | -      | -      | 40      | M7       | 60                                 | PE9      | I/O           | FT       | -                   | TIM1_CH1,<br>DFSDM1_CKOUT,<br>OCTOSPI1_NCLK,<br>FMC_D6, SAI1_FS_B,<br>EVENTOUT | -       |



Table 21. STM32L562xx pin definitions (continued)

| Pin Number        |                 |                 |                  |                |              |              |               |              |          |        |        |         |          | Pin name<br>(function after reset) | Pin type | I/O structure | Notes | Alternate functions | Additional functions  |         |
|-------------------|-----------------|-----------------|------------------|----------------|--------------|--------------|---------------|--------------|----------|--------|--------|---------|----------|------------------------------------|----------|---------------|-------|---------------------|---|---------|
| STM32L562xxxxP    |                 |                 |                  | STM32L562xxxxQ |              |              |               | STM32L562xx  |          |        |        |         |          |                                    |          |               |       |                     |   |         |
| UFQFPN48_Ext-SMPS | LQFP48_Ext-SMPS | LQFP64_Ext-SMPS | WLCSP81_Ext-SMPS | LQFP64_SMPS    | WLCSP81_SMPS | LQFP100_SMPS | UFBGA132_SMPS | LQFP144_SMPS | UFQFPN48 | LQFP48 | LQFP64 | LQFP100 | UFBGA132 |                                    |          |               |       |                     |   | LQFP144 |
| -                 | -               | -               | -                | -              | -            | -            | -             | 58           | -        | -      | -      | -       | L10      | 61                                 | VSS      | S             | -     | -                   | -   | -       |
| -                 | -               | -               | H1               | -              | H1           | -            | J4            | 59           | -        | -      | -      | -       | J4       | 62                                 | VDD      | S             | -     | -                   | -   | -       |
| -                 | -               | -               | -                | -              | -            | 38           | J7            | 60           | -        | -      | -      | 41      | J7       | 63                                 | PE10     | I/O           | FT    | -                   | TIM1_CH2N,<br>TSC_G5_IO1,<br>OCTOSPI1_CLK,<br>FMC_D7,<br>SAI1_MCLK_B,<br>EVENTOUT | -       |
| -                 | -               | -               | -                | -              | -            | 39           | L7            | 61           | -        | -      | -      | 42      | L7       | 64                                 | PE11     | I/O           | FT    | -                   | TIM1_CH2,<br>TSC_G5_IO2,<br>OCTOSPI1_NCS,<br>FMC_D8, EVENTOUT                     | -       |
| -                 | -               | -               | -                | -              | -            | 40           | J8            | 62           | -        | -      | -      | 43      | J8       | 65                                 | PE12     | I/O           | FT    | -                   | TIM1_CH3N,<br>SPI1_NSS,<br>TSC_G5_IO3,<br>OCTOSPI1_IO0,<br>FMC_D9, EVENTOUT       | -       |
| -                 | -               | -               | J4               | -              | -            | 41           | M8            | 63           | -        | -      | -      | 44      | M8       | 66                                 | PE13     | I/O           | FT    | -                   | TIM1_CH3, SPI1_SCK,<br>TSC_G5_IO4,<br>OCTOSPI1_IO1,<br>FMC_D10, EVENTOUT          | -       |



Table 21. STM32L562xx pin definitions (continued)

| Pin Number        |                 |                 |                  |                |              |              |               |              |          |        |        |         |          | Pin name<br>(function after reset) | Pin type | I/O structure | Notes    | Alternate functions | Additional functions   |         |
|-------------------|-----------------|-----------------|------------------|----------------|--------------|--------------|---------------|--------------|----------|--------|--------|---------|----------|------------------------------------|----------|---------------|----------|---------------------|--|---------|
| STM32L562xxxxP    |                 |                 |                  | STM32L562xxxxQ |              |              |               | STM32L562xx  |          |        |        |         |          |                                    |          |               |          |                     |  |         |
| UFQFPN48_Ext-SMPS | LQFP48_Ext-SMPS | LQFP64_Ext-SMPS | WLCSP81_Ext-SMPS | LQFP64_SMPS    | WLCSP81_SMPS | LQFP100_SMPS | UFBGA132_SMPS | LQFP144_SMPS | UFQFPN48 | LQFP48 | LQFP64 | LQFP100 | UFBGA132 |                                    |          |               |          |                     |  | LQFP144 |
| -                 | -               | -               | H4               | -              | -            | 42           | K8            | 64           | -        | -      | -      | 45      | K8       | 67                                 | PE14     | I/O           | FT       | -                   | TIM1_CH4,<br>TIM1_BKIN2,<br>SPI1_MISO,<br>OCTOSPI1_IO2,<br>FMC_D11, EVENTOUT   | -       |
| -                 | -               | -               | H3               | -              | -            | 43           | L8            | 65           | -        | -      | -      | 46      | L8       | 68                                 | PE15     | I/O           | FT       | -                   | TIM1_BKIN,<br>SPI1_MOSI,<br>OCTOSPI1_IO3,<br>FMC_D12, EVENTOUT   | -       |
| 21                | 21              | 28              | J3               | 27             | J4           | 44           | K9            | 66           | 21       | 21     | 29     | 47      | K9       | 69                                 | PB10     | I/O           | FT<br>_f | -                   | TIM2_CH3,<br>LPTIM3_OUT,<br>I2C4_SCL, I2C2_SCL,<br>SPI2_SCK,<br>USART3_TX,<br>LPUART1_RX,<br>TSC_SYNC,<br>OCTOSPI1_CLK,<br>COMP1_OUT,<br>SAI1_SCK_A,<br>EVENTOUT | -       |



Table 21. STM32L562xx pin definitions (continued)

| Pin Number        |                 |                 |                  |                |              |              |               |              |             |        |        |         |          | Pin name<br>(function after reset) | Pin type  | I/O structure | Notes    | Alternate functions | Additional functions   |         |
|-------------------|-----------------|-----------------|------------------|----------------|--------------|--------------|---------------|--------------|-------------|--------|--------|---------|----------|------------------------------------|-----------|---------------|----------|---------------------|--|---------|
| STM32L562xxxxP    |                 |                 |                  | STM32L562xxxxQ |              |              |               |              | STM32L562xx |        |        |         |          |                                    |           |               |          |                     |  |         |
| UFQFPN48_Ext-SMPS | LQFP48_Ext-SMPS | LQFP64_Ext-SMPS | WLCSP81_Ext-SMPS | LQFP64_SMPS    | WLCSP81_SMPS | LQFP100_SMPS | UFBGA132_SMPS | LQFP144_SMPS | UFQFPN48    | LQFP48 | LQFP64 | LQFP100 | UFBGA132 |                                    |           |               |          |                     |  | LQFP144 |
| -                 | -               | 29              | J2               | -              | H4           | 45           | L9            | 67           | 22          | 22     | 30     | 48      | L9       | 70                                 | PB11      | I/O           | FT<br>_f | -                   | TIM2_CH4, I2C4_SDA,<br>I2C2_SDA,<br>USART3_RX,<br>LPUART1_TX,<br>OCTOSPI1_NCS,<br>COMP2_OUT,<br>EVENTOUT | -       |
| -                 | -               | -               | -                | 28             | J3           | 46           | M9            | 68           | -           | -      | -      | -       | -        | -                                  | VDDSMPS   | S             | -        | -                   | -  | -       |
| -                 | -               | -               | -                | 29             | H3           | 47           | M10           | 69           | -           | -      | -      | -       | -        | -                                  | VLXSMPS   | S             | -        | -                   | -  | -       |
| -                 | -               | -               | -                | 30             | J2           | 48           | L10           | 70           | -           | -      | -      | -       | -        | -                                  | VSSSMPS   | S             | -        | -                   | -  | -       |
| 22                | 22              | 30              | J1               | -              | -            | -            | -             | -            | -           | -      | -      | -       | -        | -                                  | VDD12_1   | S             | -        | -                   | -  | -       |
| 23                | 23              | 31              | B2               | 31             | B2           | 49           | E9            | 71           | 23          | 23     | 31     | 49      | E9       | 71                                 | VSS       | S             | -        | -                   | -  | -       |
| -                 | -               | -               | -                | 32             | J1           | 50           | M11           | 72           | -           | -      | -      | -       | -        | -                                  | V15SMPS_1 | S             | -        | -                   | -  | -       |
| 24                | 24              | 32              | A1               | 33             | A1           | 51           | D4            | 73           | 24          | 24     | 32     | 50      | D4       | 72                                 | VDD       | S             | -        | -                   | -  | -       |



Table 21. STM32L562xx pin definitions (continued)

| Pin Number        |                 |                 |                  |                |              |              |               |              |          |        |        |         |          | Pin name<br>(function after reset) | Pin type | I/O structure | Notes | Alternate functions | Additional functions  |         |
|-------------------|-----------------|-----------------|------------------|----------------|--------------|--------------|---------------|--------------|----------|--------|--------|---------|----------|------------------------------------|----------|---------------|-------|---------------------|---|---------|
| STM32L562xxxxP    |                 |                 |                  | STM32L562xxxxQ |              |              |               | STM32L562xx  |          |        |        |         |          |                                    |          |               |       |                     |   |         |
| UFQFPN48_Ext-SMPS | LQFP48_Ext-SMPS | LQFP64_Ext-SMPS | WLCSP81_Ext-SMPS | LQFP64_SMPS    | WLCSP81_SMPS | LQFP100_SMPS | UFBGA132_SMPS | LQFP144_SMPS | UFQFPN48 | LQFP48 | LQFP64 | LQFP100 | UFBGA132 |                                    |          |               |       |                     |   | LQFP144 |
| 25                | 25              | 33              | G2               | -              | G2           | -            | L11           | -            | 25       | 25     | 33     | 51      | L11      | 73                                 | PB12     | I/O           | FT    | -                   | TIM1_BKIN,<br>I2C2_SMBA,<br>SPI2_NSS,<br>DFSDM1_DATIN1,<br>USART3_CK,<br>LPUART1_RTS/LPUART1_DE,<br>TSC_G1_IO1,<br>OCTOSPI1_NCLK,<br>SAI2_FS_A,<br>TIM15_BKIN,<br>EVENTOUT            | -       |
| 26                | 26              | 34              | F2               | 34             | F2           | 52           | K10           | 74           | 26       | 26     | 34     | 52      | K10      | 74                                 | PB13     | I/O           | FT_f  | -                   | TIM1_CH1N,<br>LPTIM3_IN1,<br>I2C2_SCL, SPI2_SCK,<br>DFSDM1_CKIN1,<br>USART3_CTS/USART3_NSS,<br>LPUART1_CTS,<br>TSC_G1_IO2,<br>UCPD1_FRSTX2,<br>SAI2_SCK_A,<br>TIM15_CH1N,<br>EVENTOUT | -       |



Table 21. STM32L562xx pin definitions (continued)

| Pin Number        |                 |                 |                  |                |              |              |               |              |          |        |        |         |          |         |      | Pin name<br>(function after reset) | Pin type  | I/O structure | Notes   | Alternate functions | Additional functions |
|-------------------|-----------------|-----------------|------------------|----------------|--------------|--------------|---------------|--------------|----------|--------|--------|---------|----------|---------|------|------------------------------------|-----------|---------------|---|---------------------|----------------------|
| STM32L562xxxxP    |                 |                 |                  | STM32L562xxxxQ |              |              |               | STM32L562xx  |          |        |        |         |          |         |      |                                    |           |               |   |                     |                      |
| UFQFPN48_Ext-SMPS | LQFP48_Ext-SMPS | LQFP64_Ext-SMPS | WLCSP81_Ext-SMPS | LQFP64_SMPS    | WLCSP81_SMPS | LQFP100_SMPS | UFBGA132_SMPS | LQFP144_SMPS | UFQFPN48 | LQFP48 | LQFP64 | LQFP100 | UFBGA132 | LQFP144 |      |                                    |           |               |   |                     |                      |
| 27                | 27              | 35              | G1               | 35             | G1           | 53           | K11           | 75           | 27       | 27     | 35     | 53      | K11      | 75      | PB14 | I/O                                | FT<br>_fd | -             | TIM1_CH2N,<br>LPTIM3_ETR,<br>TIM8_CH2N,<br>I2C2_SDA,<br>SPI2_MISO,<br>DFSDM1_DATIN2,<br>USART3_RTS/USART<br>3_DE, TSC_G1_IO3,<br>SAI2_MCLK_A,<br>TIM15_CH1,<br>EVENTOUT | UCPD1_DB2           |                      |
| 28                | 28              | 36              | F1               | 36             | F1           | 54           | K12           | 76           | 28       | 28     | 36     | 54      | K12      | 76      | PB15 | I/O                                | FT<br>_c  | -             | RTC_REFIN,<br>TIM1_CH3N,<br>TIM8_CH3N,<br>SPI2_MOSI,<br>DFSDM1_CKIN2,<br>SAI2_SD_A,<br>TIM15_CH2,<br>EVENTOUT   | UCPD1_CC2           |                      |
| -                 | -               | -               | -                | -              | -            | 55           | L12           | 77           | -        | -      | -      | 55      | L12      | 77      | PD8  | I/O                                | FT        | -             | USART3_TX,<br>FMC_D13, EVENTOUT   | -                   |                      |
| -                 | -               | -               | -                | -              | -            | 56           | J10           | 78           | -        | -      | -      | 56      | J10      | 78      | PD9  | I/O                                | FT        | -             | USART3_RX,<br>FMC_D14,<br>SAI2_MCLK_A,<br>EVENTOUT  | -                   |                      |



Table 21. STM32L562xx pin definitions (continued)

| Pin Number        |                 |                 |                  |                |              |              |               |              |          |        |        |         |          | Pin name<br>(function after reset) | Pin type | I/O structure | Notes    | Alternate functions | Additional functions   |         |
|-------------------|-----------------|-----------------|------------------|----------------|--------------|--------------|---------------|--------------|----------|--------|--------|---------|----------|------------------------------------|----------|---------------|----------|---------------------|--|---------|
| STM32L562xxxxP    |                 |                 |                  | STM32L562xxxxQ |              |              |               | STM32L562xx  |          |        |        |         |          |                                    |          |               |          |                     |  |         |
| UFQFPN48_Ext-SMPS | LQFP48_Ext-SMPS | LQFP64_Ext-SMPS | WLCSP81_Ext-SMPS | LQFP64_SMPS    | WLCSP81_SMPS | LQFP100_SMPS | UFBGA132_SMPS | LQFP144_SMPS | UFQFPN48 | LQFP48 | LQFP64 | LQFP100 | UFBGA132 |                                    |          |               |          |                     |  | LQFP144 |
| -                 | -               | -               | -                | -              | -            | 57           | M1<br>2       | 79           | -        | -      | -      | 57      | M1<br>2  | 79                                 | PD10     | I/O           | FT       | -                   | USART3_CK,<br>TSC_G6_IO1,<br>FMC_D15,<br>SAI2_SCK_A,<br>EVENTOUT   | -       |
| -                 | -               | -               | -                | -              | -            | 58           | J11           | 80           | -        | -      | -      | 58      | J11      | 80                                 | PD11     | I/O           | FT       | -                   | I2C4_SMBA,<br>USART3_CTS/USART<br>3_NSS, TSC_G6_IO2,<br>FMC_A16,<br>SAI2_SD_A,<br>LPTIM2_ETR,<br>EVENTOUT      | -       |
| -                 | -               | -               | -                | -              | -            | 59           | J12           | 81           | -        | -      | -      | 59      | J12      | 81                                 | PD12     | I/O           | FT<br>_f | -                   | TIM4_CH1, I2C4_SCL,<br>USART3_RTS/USART<br>3_DE, TSC_G6_IO3,<br>FMC_A17, SAI2_FS_A,<br>LPTIM2_IN1,<br>EVENTOUT | -       |
| -                 | -               | -               | -                | -              | -            | 60           | H11           | 82           | -        | -      | -      | 60      | H11      | 82                                 | PD13     | I/O           | FT<br>_f | -                   | TIM4_CH2, I2C4_SDA,<br>TSC_G6_IO4,<br>FMC_A18,<br>LPTIM2_OUT,<br>EVENTOUT                                      | -       |
| -                 | -               | -               | -                | -              | -            | -            | -             | 83           | -        | -      | -      | -       | -        | 83                                 | VSS      | S             | -        | -                   | -  | -       |



Table 21. STM32L562xx pin definitions (continued)

| Pin Number        |                 |                 |                  |                |              |              |               |              |          |        |        |         |          | Pin name<br>(function after reset) | Pin type | I/O structure | Notes | Alternate functions | Additional functions                                |         |
|-------------------|-----------------|-----------------|------------------|----------------|--------------|--------------|---------------|--------------|----------|--------|--------|---------|----------|------------------------------------|----------|---------------|-------|---------------------|---|---------|
| STM32L562xxxxP    |                 |                 |                  | STM32L562xxxxQ |              |              |               | STM32L562xx  |          |        |        |         |          |                                    |          |               |       |                     |   |         |
| UFQFPN48_Ext-SMPS | LQFP48_Ext-SMPS | LQFP64_Ext-SMPS | WLCSP81_Ext-SMPS | LQFP64_SMPS    | WLCSP81_SMPS | LQFP100_SMPS | UFBGA132_SMPS | LQFP144_SMPS | UFQFPN48 | LQFP48 | LQFP64 | LQFP100 | UFBGA132 |                                    |          |               |       |                     |   | LQFP144 |
| -                 | -               | -               | -                | -              | -            | -            | -             | 84           | -        | -      | -      | -       | -        | 84                                 | VDD      | S             | -     | -                   | -   | -       |
| -                 | -               | -               | -                | -              | -            | 61           | H10           | 85           | -        | -      | -      | 61      | H10      | 85                                 | PD14     | I/O           | FT    | -                   | TIM4_CH3, FMC_D0, EVENTOUT                          | -       |
| -                 | -               | -               | -                | -              | -            | 62           | H12           | 86           | -        | -      | -      | 62      | H12      | 86                                 | PD15     | I/O           | FT    | -                   | TIM4_CH4, FMC_D1, EVENTOUT                          | -       |
| -                 | -               | -               | -                | -              | -            | -            | G10           | 87           | -        | -      | -      | -       | G10      | 87                                 | PG2      | I/O           | FT_s  | -                   | SPI1_SCK, FMC_A12, SAI2_SCK_B, EVENTOUT             | -       |
| -                 | -               | -               | -                | -              | -            | -            | G11           | 88           | -        | -      | -      | -       | G11      | 88                                 | PG3      | I/O           | FT_s  | -                   | SPI1_MISO, FMC_A13, SAI2_FS_B, EVENTOUT             | -       |
| -                 | -               | -               | -                | -              | -            | -            | G9            | 89           | -        | -      | -      | -       | G9       | 89                                 | PG4      | I/O           | FT_s  | -                   | SPI1_MOSI, FMC_A14, SAI2_MCLK_B, EVENTOUT           | -       |
| -                 | -               | -               | -                | -              | -            | -            | G12           | 90           | -        | -      | -      | -       | G12      | 90                                 | PG5      | I/O           | FT_s  | -                   | SPI1_NSS, LPUART1_CTS, FMC_A15, SAI2_SD_B, EVENTOUT | -       |





Table 21. STM32L562xx pin definitions (continued)

| Pin Number        |                 |                 |                  |                |              |              |               |              |          |        |        |         |          | Pin name<br>(function after reset) | Pin type   | I/O structure | Notes | Alternate functions | Additional functions   |         |
|-------------------|-----------------|-----------------|------------------|----------------|--------------|--------------|---------------|--------------|----------|--------|--------|---------|----------|------------------------------------|------------|---------------|-------|---------------------|--|---------|
| STM32L562xxxxP    |                 |                 |                  | STM32L562xxxxQ |              |              |               | STM32L562xx  |          |        |        |         |          |                                    |            |               |       |                     |  |         |
| UFQFPN48_Ext-SMPS | LQFP48_Ext-SMPS | LQFP64_Ext-SMPS | WLCSP81_Ext-SMPS | LQFP64_SMPS    | WLCSP81_SMPS | LQFP100_SMPS | UFBGA132_SMPS | LQFP144_SMPS | UFQFPN48 | LQFP48 | LQFP64 | LQFP100 | UFBGA132 |                                    |            |               |       |                     |  | LQFP144 |
| -                 | -               | -               | -                | -              | -            | -            | F9            | 91           | -        | -      | -      | -       | F9       | 91                                 | PG6        | I/O           | FT_s  | -                   | OCTOSPI1_DQS,<br>I2C3_SMBA,<br>LPUART1_RTS/LPUA<br>RT1_DE,<br>UCPD1_FRSTX1,<br>EVENTOUT                      | -       |
| -                 | -               | -               | -                | -              | -            | -            | F10           | 92           | -        | -      | -      | -       | F10      | 92                                 | PG7        | I/O           | FT_fs | -                   | SAI1_CK1, I2C3_SCL,<br>DFSDM1_CKOUT,<br>LPUART1_TX,<br>UCPD1_FRSTX2,<br>FMC_INT,<br>SAI1_MCLK_A,<br>EVENTOUT | -       |
| -                 | -               | -               | -                | -              | -            | -            | F12           | 93           | -        | -      | -      | -       | F12      | 93                                 | PG8        | I/O           | FT_fs | -                   | I2C3_SDA,<br>LPUART1_RX,<br>EVENTOUT   | -       |
| -                 | -               | -               | -                | -              | -            | -            | -             | 94           | -        | -      | -      | -       | -        | 94                                 | VSS        | S             | -     | -                   | -  | -       |
| -                 | -               | -               | -                | -              | -            | -            | -             | 95           | -        | -      | -      | -       | -        | 95                                 | VDDIO<br>2 | S             | -     | -                   | -  | -       |



Table 21. STM32L562xx pin definitions (continued)

| Pin Number        |                 |                 |                  |                |              |              |               |              |          |        |        |         |          | Pin name<br>(function after reset) | Pin type | I/O structure | Notes | Alternate functions | Additional functions  |         |
|-------------------|-----------------|-----------------|------------------|----------------|--------------|--------------|---------------|--------------|----------|--------|--------|---------|----------|------------------------------------|----------|---------------|-------|---------------------|---|---------|
| STM32L562xxxxP    |                 |                 |                  | STM32L562xxxxQ |              |              |               | STM32L562xx  |          |        |        |         |          |                                    |          |               |       |                     |   |         |
| UFQFPN48_Ext-SMPS | LQFP48_Ext-SMPS | LQFP64_Ext-SMPS | WLCSP81_Ext-SMPS | LQFP64_SMPS    | WLCSP81_SMPS | LQFP100_SMPS | UFBGA132_SMPS | LQFP144_SMPS | UFQFPN48 | LQFP48 | LQFP64 | LQFP100 | UFBGA132 |                                    |          |               |       |                     |   | LQFP144 |
| -                 | -               | 37              | E1               | 37             | E1           | 63           | F11           | 96           | -        | -      | 37     | 63      | F11      | 96                                 | PC6      | I/O           | FT    | -                   | TIM3_CH1, TIM8_CH1, DFSDM1_CKIN3, SDMMC1_D0DIR, TSC_G4_IO1, SDMMC1_D6, SAI2_MCLK_A, EVENTOUT    | -       |
| -                 | -               | 38              | E2               | 38             | E2           | 64           | E10           | 97           | -        | -      | 38     | 64      | E10      | 97                                 | PC7      | I/O           | FT    | -                   | TIM3_CH2, TIM8_CH2, DFSDM1_DATIN3, SDMMC1_D123DIR, TSC_G4_IO2, SDMMC1_D7, SAI2_MCLK_B, EVENTOUT | -       |
| -                 | -               | 39              | F3               | 39             | F3           | 65           | E12           | 98           | -        | -      | 39     | 65      | E12      | 98                                 | PC8      | I/O           | FT    | -                   | TIM3_CH3, TIM8_CH3, TSC_G4_IO3, SDMMC1_D0, EVENTOUT   | -       |



Table 21. STM32L562xx pin definitions (continued)

| Pin Number        |                 |                 |                  |                |              |              |               |              |             |        |        |         |          |         |      | Pin name<br>(function after reset) | Pin type | I/O structure | Notes   | Alternate functions | Additional functions |
|-------------------|-----------------|-----------------|------------------|----------------|--------------|--------------|---------------|--------------|-------------|--------|--------|---------|----------|---------|------|------------------------------------|----------|---------------|---|---------------------|----------------------|
| STM32L562xxxxP    |                 |                 |                  | STM32L562xxxxQ |              |              |               |              | STM32L562xx |        |        |         |          |         |      |                                    |          |               |   |                     |                      |
| UFQFPN48_Ext-SMPS | LQFP48_Ext-SMPS | LQFP64_Ext-SMPS | WLCSP81_Ext-SMPS | LQFP64_SMPS    | WLCSP81_SMPS | LQFP100_SMPS | UFBGA132_SMPS | LQFP144_SMPS | UFQFPN48    | LQFP48 | LQFP64 | LQFP100 | UFBGA132 | LQFP144 |      |                                    |          |               |   |                     |                      |
| -                 | -               | 40              | G3               | 40             | G3           | 66           | E11           | 99           | -           | -      | 40     | 66      | E11      | 99      | PC9  | I/O                                | FT_f     | -             | TRACED0,<br>TIM8_BKIN2,<br>TIM3_CH4, TIM8_CH4,<br>TSC_G4_IO4,<br>USB_NOE,<br>SDMMC1_D1,<br>SAI2_EXTCLK,<br>EVENTOUT | -                   |                      |
| 29                | 29              | 41              | F4               | 41             | F4           | 67           | D12           | 100          | 29          | 29     | 41     | 67      | D12      | 100     | PA8  | I/O                                | FT_f     | -             | MCO, TIM1_CH1,<br>SAI1_CK2,<br>USART1_CK,<br>SAI1_SCK_A,<br>LPTIM2_OUT,<br>EVENTOUT                                 | -                   |                      |
| 30                | 30              | 42              | D1               | 42             | D1           | 68           | D10           | 101          | 30          | 30     | 42     | 68      | D10      | 101     | PA9  | I/O                                | FT_fu    | -             | TIM1_CH2, SPI2_SCK,<br>USART1_TX,<br>SAI1_FS_A,<br>TIM15_BKIN,<br>EVENTOUT  | -                   |                      |
| 31                | 31              | 43              | E3               | 43             | E3           | 69           | D11           | 102          | 31          | 31     | 43     | 69      | D11      | 102     | PA10 | I/O                                | FT_fu    | -             | TIM1_CH3, SAI1_D1,<br>USART1_RX,<br>CRS_SYNC,<br>SAI1_SD_A,<br>TIM17_BKIN,<br>EVENTOUT                              | -                   |                      |



Table 21. STM32L562xx pin definitions (continued)

| Pin Number        |                 |                 |                  |                |              |              |               |              |             |        |        |         |          |         | Pin name<br>(function after reset) | Pin type | I/O structure | Notes | Alternate functions   | Additional functions |
|-------------------|-----------------|-----------------|------------------|----------------|--------------|--------------|---------------|--------------|-------------|--------|--------|---------|----------|---------|------------------------------------|----------|---------------|-------|---|----------------------|
| STM32L562xxxxP    |                 |                 |                  | STM32L562xxxxQ |              |              |               |              | STM32L562xx |        |        |         |          |         |                                    |          |               |       |   |                      |
| UFQFPN48_Ext-SMPS | LQFP48_Ext-SMPS | LQFP64_Ext-SMPS | WLCSP81_Ext-SMPS | LQFP64_SMPS    | WLCSP81_SMPS | LQFP100_SMPS | UFBGA132_SMPS | LQFP144_SMPS | UFQFPN48    | LQFP48 | LQFP64 | LQFP100 | UFBGA132 | LQFP144 |                                    |          |               |       |   |                      |
| 32                | 32              | 44              | C1               | 44             | C1           | 70           | C12           | 103          | 32          | 32     | 44     | 70      | C12      | 103     | PA11                               | I/O      | FT_u          | -     | TIM1_CH4,<br>TIM1_BKIN2,<br>SPI1_MISO,<br>USART1_CTS/USART1_NSS, FDCAN1_RX,<br>USB_DM, EVENTOUT | -                    |
| 33                | 33              | 45              | C2               | 45             | C2           | 71           | B12           | 104          | 33          | 33     | 45     | 71      | B12      | 104     | PA12                               | I/O      | FT_u          | -     | TIM1_ETR,<br>SPI1_MOSI,<br>USART1_RTS/USART1_DE, FDCAN1_TX,<br>USB_DP, EVENTOUT                 | -                    |
| 34                | 34              | 46              | D2               | 46             | D2           | 72           | C10           | 105          | 34          | 34     | 46     | 72      | C10      | 105     | PA13<br>(JTMS/SWDIO)               | I/O      | FT            | (3)   | JTMS/SWDIO,<br>IR_OUT, USB_NOE,<br>SAI1_SD_B,<br>EVENTOUT                                       | -                    |
| -                 | -               | 47              | -                | 47             | -            | -            | -             | -            | -           | -      | 47     | -       | -        | -       | VSS                                | S        | -             | -     | -   | -                    |
| -                 | -               | 48              | B1               | 48             | B1           | 73           | A12           | 106          | -           | -      | 48     | 73      | A12      | 106     | VDDU<br>SB                         | S        | -             | -     | -   | -                    |
| 35                | 35              | -               | B5               | -              | B5           | 74           | H4            | 107          | 35          | 35     | -      | 74      | H4       | 107     | VSS                                | S        | -             | -     | -   | -                    |
| 36                | 36              | -               | A9               | -              | A9           | 75           | D9            | 108          | 36          | 36     | -      | 75      | D9       | 108     | VDD                                | S        | -             | -     | -   | -                    |



Table 21. STM32L562xx pin definitions (continued)

| Pin Number        |                 |                 |                  |                |              |              |               |              |          |        |        |         |          | Pin name<br>(function after reset) | Pin type                 | I/O structure | Notes | Alternate functions | Additional functions  |           |
|-------------------|-----------------|-----------------|------------------|----------------|--------------|--------------|---------------|--------------|----------|--------|--------|---------|----------|------------------------------------|--------------------------|---------------|-------|---------------------|---|-----------|
| STM32L562xxxxP    |                 |                 |                  | STM32L562xxxxQ |              |              |               | STM32L562xx  |          |        |        |         |          |                                    |                          |               |       |                     |   |           |
| UFQFPN48_Ext-SMPS | LQFP48_Ext-SMPS | LQFP64_Ext-SMPS | WLCSP81_Ext-SMPS | LQFP64_SMPS    | WLCSP81_SMPS | LQFP100_SMPS | UFBGA132_SMPS | LQFP144_SMPS | UFQFPN48 | LQFP48 | LQFP64 | LQFP100 | UFBGA132 |                                    |                          |               |       |                     |   | LQFP144   |
| 37                | 37              | 49              | D3               | 49             | D3           | 76           | C11           | 109          | 37       | 37     | 49     | 76      | C11      | 109                                | PA14<br>(JTCK/<br>SWCLK) | I/O           | FT    | (3)                 | JTCK/SWCLK,<br>LPTIM1_OUT,<br>I2C1_SMBA,<br>I2C4_SMBA,<br>SAI1_FS_B,<br>EVENTOUT  | -         |
| 38                | 38              | 50              | E4               | 50             | E4           | 77           | A11           | 110          | 38       | 38     | 50     | 77      | A11      | 110                                | PA15<br>(JTDI)           | I/O           | FT_c  | (3)                 | JTDI, TIM2_CH1,<br>TIM2_ETR,<br>USART2_RX,<br>SPI1_NSS, SPI3_NSS,<br>USART3_RTS/USART3_DE,<br>UART4_RTS/UART4_DE,<br>SAI2_FS_B,<br>EVENTOUT | UCPD1_CC1 |
| -                 | -               | 51              | A2               | 51             | A2           | 78           | B11           | 111          | -        | -      | 51     | 78      | B11      | 111                                | PC10                     | I/O           | FT    | -                   | TRACED1,<br>LPTIM3_ETR,<br>SPI3_SCK,<br>USART3_TX,<br>UART4_TX,<br>TSC_G3_IO2,<br>SDMMC1_D2,<br>SAI2_SCK_B,<br>EVENTOUT                     | -         |



Table 21. STM32L562xx pin definitions (continued)

| Pin Number        |                 |                 |                  |                |              |              |               |              |          |        |        |         |          | Pin name<br>(function after reset) | Pin type | I/O structure | Notes | Alternate functions | Additional functions  |         |
|-------------------|-----------------|-----------------|------------------|----------------|--------------|--------------|---------------|--------------|----------|--------|--------|---------|----------|------------------------------------|----------|---------------|-------|---------------------|---|---------|
| STM32L562xxxxP    |                 |                 |                  | STM32L562xxxxQ |              |              |               | STM32L562xx  |          |        |        |         |          |                                    |          |               |       |                     |   |         |
| UFQFPN48_Ext-SMPS | LQFP48_Ext-SMPS | LQFP64_Ext-SMPS | WLCSP81_Ext-SMPS | LQFP64_SMPS    | WLCSP81_SMPS | LQFP100_SMPS | UFBGA132_SMPS | LQFP144_SMPS | UFQFPN48 | LQFP48 | LQFP64 | LQFP100 | UFBGA132 |                                    |          |               |       |                     |   | LQFP144 |
| -                 | -               | 52              | C3               | 52             | C3           | 79           | A10           | 112          | -        | -      | 52     | 79      | A10      | 112                                | PC11     | I/O           | FT    | -                   | LPTIM3_IN1,<br>OCTOSPI1_NCS,<br>SPI3_MISO,<br>USART3_RX,<br>UART4_RX,<br>TSC_G3_IO3,<br>UCPD1_FRSTX2,<br>SDMMC1_D3,<br>SAI2_MCLK_B,<br>EVENTOUT | -       |
| -                 | -               | 53              | B3               | 53             | B3           | 80           | B10           | 113          | -        | -      | 53     | 80      | B10      | 113                                | PC12     | I/O           | FT    | -                   | TRACED3,<br>SPI3_MOSI,<br>USART3_CK,<br>UART5_TX,<br>TSC_G3_IO4,<br>SDMMC1_CK,<br>SAI2_SD_B,<br>EVENTOUT  | -       |
| -                 | -               | -               | -                | -              | -            | 81           | C9            | 114          | -        | -      | -      | 81      | C9       | 114                                | PD0      | I/O           | FT    | -                   | SPI2_NSS,<br>FDCAN1_RX,<br>FMC_D2, EVENTOUT   | -       |
| -                 | -               | -               | -                | -              | -            | 82           | B9            | 115          | -        | -      | -      | 82      | B9       | 115                                | PD1      | I/O           | FT    | -                   | SPI2_SCK,<br>FDCAN1_TX,<br>FMC_D3, EVENTOUT   | -       |



Table 21. STM32L562xx pin definitions (continued)

| Pin Number        |                 |                 |                  |                |              |              |               |              |             |        |        |         |          | Pin name<br>(function after reset) | Pin type | I/O structure | Notes | Alternate functions | Additional functions  |         |   |
|-------------------|-----------------|-----------------|------------------|----------------|--------------|--------------|---------------|--------------|-------------|--------|--------|---------|----------|------------------------------------|----------|---------------|-------|---------------------|---|---------|---|
| STM32L562xxxxP    |                 |                 |                  | STM32L562xxxxQ |              |              |               |              | STM32L562xx |        |        |         |          |                                    |          |               |       |                     |   |         |   |
| UFQFPN48_Ext-SMPS | LQFP48_Ext-SMPS | LQFP64_Ext-SMPS | WLCSP81_Ext-SMPS | LQFP64_SMPS    | WLCSP81_SMPS | LQFP100_SMPS | UFBGA132_SMPS | LQFP144_SMPS | UFQFPN48    | LQFP48 | LQFP64 | LQFP100 | UFBGA132 |                                    |          |               |       |                     |   | LQFP144 |   |
| -                 | -               | -               | A3               | 54             | A3           | 83           | A9            | 116          | -           | -      | 54     | 83      | A9       | 116                                | PD2      | I/O           | FT    | -                   | TRACED2, TIM3_ETR,<br>USART3_RTS/USART<br>3_DE, UART5_RX,<br>TSC_SYNC,<br>SDMMC1_CMD,<br>EVENTOUT | -       |   |
| -                 | -               | -               | -                | -              | -            | 84           | C8            | 117          | -           | -      | -      | 84      | C8       | 117                                | PD3      | I/O           | FT    | -                   | SPI2_SCK,<br>SPI2_MISO,<br>DFSDM1_DATIN0,<br>USART2_CTS/USART<br>2_NSS, FMC_CLK,<br>EVENTOUT      | -       |   |
| -                 | -               | -               | -                | -              | -            | 85           | B8            | 118          | -           | -      | -      | 85      | B8       | 118                                | PD4      | I/O           | FT    | -                   | SPI2_MOSI,<br>DFSDM1_CKIN0,<br>USART2_RTS/USART<br>2_DE, OCTOSPI1_IO4,<br>FMC_NOE,<br>EVENTOUT    | -       |   |
| -                 | -               | -               | -                | -              | -            | 86           | A8            | 119          | -           | -      | -      | 86      | A8       | 119                                | PD5      | I/O           | FT    | -                   | USART2_TX,<br>OCTOSPI1_IO5,<br>FMC_NWE,<br>EVENTOUT   | -       |   |
| -                 | -               | -               | -                | -              | -            | -            | -             | 120          | -           | -      | -      | -       | -        | 120                                | VSS      | S             | -     | -                   | -   | -       | - |
| -                 | -               | -               | -                | -              | -            | -            | -             | 121          | -           | -      | -      | -       | -        | 121                                | VDD      | S             | -     | -                   | -   | -       | - |



Table 21. STM32L562xx pin definitions (continued)

| Pin Number        |                 |                 |                  |                |              |              |               |              |          |        |        |         |          | Pin name<br>(function after reset) | Pin type | I/O structure | Notes    | Alternate functions | Additional functions   |         |
|-------------------|-----------------|-----------------|------------------|----------------|--------------|--------------|---------------|--------------|----------|--------|--------|---------|----------|------------------------------------|----------|---------------|----------|---------------------|--|---------|
| STM32L562xxxxP    |                 |                 |                  | STM32L562xxxxQ |              |              |               | STM32L562xx  |          |        |        |         |          |                                    |          |               |          |                     |  |         |
| UFQFPN48_Ext-SMPS | LQFP48_Ext-SMPS | LQFP64_Ext-SMPS | WLCSP81_Ext-SMPS | LQFP64_SMPS    | WLCSP81_SMPS | LQFP100_SMPS | UFBGA132_SMPS | LQFP144_SMPS | UFQFPN48 | LQFP48 | LQFP64 | LQFP100 | UFBGA132 |                                    |          |               |          |                     |  | LQFP144 |
| -                 | -               | -               | -                | -              | -            | 87           | A7            | 122          | -        | -      | -      | 87      | A7       | 122                                | PD6      | I/O           | FT       | -                   | SAI1_D1, SPI3_MOSI, DFSDM1_DATIN1, USART2_RX, OCTOSPI1_IO6, FMC_NWAIT, SAI1_SD_A, EVENTOUT | -       |
| -                 | -               | -               | -                | -              | -            | 88           | D7            | 123          | -        | -      | -      | 88      | D7       | 123                                | PD7      | I/O           | FT       | -                   | DFSDM1_CKIN1, USART2_CK, OCTOSPI1_IO7, FMC_NCE/FMC_NE1, EVENTOUT                           | -       |
| -                 | -               | -               | D4               | -              | D4           | -            | B7            | 124          | -        | -      | -      | -       | B7       | 124                                | PG9      | I/O           | FT<br>_s | -                   | SPI3_SCK, USART1_TX, FMC_NCE/FMC_NE2, SAI2_SCK_A, TIM15_CH1N, EVENTOUT                     | -       |
| -                 | -               | -               | C4               | -              | C4           | -            | C7            | 125          | -        | -      | -      | -       | C7       | 125                                | PG10     | I/O           | FT<br>_s | -                   | LPTIM1_IN1, SPI3_MISO, USART1_RX, FMC_NE3, SAI2_FS_A, TIM15_CH1, EVENTOUT                  | -       |





Table 21. STM32L562xx pin definitions (continued)

| Pin Number        |                 |                 |                  |                |              |              |               |              |          |        |        |         |          | Pin name<br>(function after reset) | Pin type | I/O structure | Notes | Alternate functions | Additional functions   |         |
|-------------------|-----------------|-----------------|------------------|----------------|--------------|--------------|---------------|--------------|----------|--------|--------|---------|----------|------------------------------------|----------|---------------|-------|---------------------|--|---------|
| STM32L562xxxxP    |                 |                 |                  | STM32L562xxxxQ |              |              |               | STM32L562xx  |          |        |        |         |          |                                    |          |               |       |                     |  |         |
| UFQFPN48_Ext-SMPS | LQFP48_Ext-SMPS | LQFP64_Ext-SMPS | WLCSP81_Ext-SMPS | LQFP64_SMPS    | WLCSP81_SMPS | LQFP100_SMPS | UFBGA132_SMPS | LQFP144_SMPS | UFQFPN48 | LQFP48 | LQFP64 | LQFP100 | UFBGA132 |                                    |          |               |       |                     |  | LQFP144 |
| -                 | -               | -               | E5               | -              | E5           | -            | -             | -            | -        | -      | -      | -       | M11      | 126                                | PG11     | I/O           | FT_s  | -                   | LPTIM1_IN2,<br>OCTOSPI1_IO5,<br>SPI3_MOSI,<br>USART1_CTS/USART1_NSS,<br>SAI2_MCLK_A,<br>TIM15_CH2,<br>EVENTOUT | -       |
| -                 | -               | -               | B4               | -              | B4           | -            | A6            | 126          | -        | -      | -      | -       | A6       | 127                                | PG12     | I/O           | FT_s  | -                   | LPTIM1_ETR,<br>SPI3_NSS,<br>USART1_RTS/USART1_DE, FMC_NE4,<br>SAI2_SD_A,<br>EVENTOUT                           | -       |
| -                 | -               | -               | A4               | -              | A4           | -            | -             | 127          | -        | -      | -      | -       | M10      | 128                                | PG13     | I/O           | FT_fs | -                   | I2C1_SDA,<br>USART1_CK,<br>FMC_A24, EVENTOUT   | -       |
| -                 | -               | -               | D5               | -              | D5           | -            | -             | 128          | -        | -      | -      | -       | M9       | 129                                | PG14     | I/O           | FT_fs | -                   | I2C1_SCL, FMC_A25,<br>EVENTOUT   | -       |
| -                 | -               | -               | B8               | -              | B8           | -            | H9            | 129          | -        | -      | -      | -       | H9       | 130                                | VSS      | S             | -     | -                   | -  | -       |
| -                 | -               | -               | A5               | -              | A5           | -            | D8            | 130          | -        | -      | -      | -       | D8       | 131                                | VDDIO2   | S             | -     | -                   | -  | -       |



Table 21. STM32L562xx pin definitions (continued)

| Pin Number        |                 |                 |                  |                |              |              |               |              |          |        |        |         |          | Pin name<br>(function after reset) | Pin type                           | I/O structure | Notes                 | Alternate functions | Additional functions   |           |
|-------------------|-----------------|-----------------|------------------|----------------|--------------|--------------|---------------|--------------|----------|--------|--------|---------|----------|------------------------------------|------------------------------------|---------------|-----------------------|---------------------|--|-----------|
| STM32L562xxxxP    |                 |                 |                  | STM32L562xxxxQ |              |              |               | STM32L562xx  |          |        |        |         |          |                                    |                                    |               |                       |                     |  |           |
| UFQFPN48_Ext-SMPS | LQFP48_Ext-SMPS | LQFP64_Ext-SMPS | WLCSP81_Ext-SMPS | LQFP64_SMPS    | WLCSP81_SMPS | LQFP100_SMPS | UFBGA132_SMPS | LQFP144_SMPS | UFQFPN48 | LQFP48 | LQFP64 | LQFP100 | UFBGA132 |                                    |                                    |               |                       |                     |  | LQFP144   |
| -                 | -               | -               | C5               | -              | C5           | -            | -             | 131          | -        | -      | -      | -       | B4       | 132                                | PG15                               | I/O           | FT<br>I <sub>s</sub>  | -                   | LPTIM1_OUT,<br>I2C1_SMBA,<br>EVENTOUT  | -         |
| 39                | 39              | 54              | E6               | 55             | E6           | 89           | C6            | 132          | 39       | 39     | 55     | 89      | C6       | 133                                | PB3<br>(JTDO/<br>TRAC<br>ESWO<br>) | I/O           | FT<br>I <sub>a</sub>  | -                   | JTDO/TRACESWO,<br>TIM2_CH2, SPI1_SCK,<br>SPI3_SCK,<br>USART1_RTS/USART<br>1_DE, CRS_SYNC,<br>SAI1_SCK_B,<br>EVENTOUT   | COMP2_INM |
| 40                | 40              | 55              | B6               | 56             | B6           | 90           | B6            | 133          | 40       | 40     | 56     | 90      | B6       | 134                                | PB4<br>(NJTR<br>ST)                | I/O           | FT<br>I <sub>fa</sub> | (3)                 | NJTRST, TIM3_CH1,<br>I2C3_SDA,<br>SPI1_MISO,<br>SPI3_MISO,<br>USART1_CTS/USART<br>1_NSS,<br>UART5_RTS/UART5_<br>DE, TSC_G2_IO1,<br>SAI1_MCLK_B,<br>TIM17_BKIN,<br>EVENTOUT | COMP2_INP |



Table 21. STM32L562xx pin definitions (continued)

| Pin Number        |                 |                 |                  |                |              |              |               |              |          |        |        |         |          | Pin name<br>(function after reset) | Pin type | I/O structure | Notes | Alternate functions | Additional functions   |           |
|-------------------|-----------------|-----------------|------------------|----------------|--------------|--------------|---------------|--------------|----------|--------|--------|---------|----------|------------------------------------|----------|---------------|-------|---------------------|--|-----------|
| STM32L562xxxxP    |                 |                 |                  | STM32L562xxxxQ |              |              |               | STM32L562xx  |          |        |        |         |          |                                    |          |               |       |                     |  |           |
| UFQFPN48_Ext-SMPS | LQFP48_Ext-SMPS | LQFP64_Ext-SMPS | WLCSP81_Ext-SMPS | LQFP64_SMPS    | WLCSP81_SMPS | LQFP100_SMPS | UFBGA132_SMPS | LQFP144_SMPS | UFQFPN48 | LQFP48 | LQFP64 | LQFP100 | UFBGA132 |                                    |          |               |       |                     |  | LQFP144   |
| 41                | 41              | 56              | A6               | 57             | A6           | 91           | D6            | 134          | 41       | 41     | 57     | 91      | D6       | 135                                | PB5      | I/O           | FT_d  | -                   | LPTIM1_IN1,<br>TIM3_CH2,<br>OCTOSPI1_NCLK,<br>I2C1_SMBA,<br>SPI1_MOSI,<br>SPI3_MOSI,<br>USART1_CK,<br>UART5_CTS/UART5_NSS,<br>TSC_G2_IO2,<br>COMP2_OUT,<br>SAI1_SD_B,<br>TIM16_BKIN,<br>EVENTOUT | UCPD1_DB1 |
| 42                | 42              | 57              | C6               | 58             | C6           | 92           | A5            | 135          | 42       | 42     | 58     | 92      | A5       | 136                                | PB6      | I/O           | FT_fa | -                   | LPTIM1_ETR,<br>TIM4_CH1,<br>TIM8_BKIN2,<br>I2C1_SCL, I2C4_SCL,<br>USART1_TX,<br>TSC_G2_IO3,<br>SAI1_FS_B,<br>TIM16_CH1N,<br>EVENTOUT   | COMP2_INP |



Table 21. STM32L562xx pin definitions (continued)

| Pin Number        |                 |                 |                  |                |              |              |               |              |          |        |        |         |          | Pin name<br>(function after reset) | Pin type  | I/O structure | Notes | Alternate functions | Additional functions   |                      |
|-------------------|-----------------|-----------------|------------------|----------------|--------------|--------------|---------------|--------------|----------|--------|--------|---------|----------|------------------------------------|-----------|---------------|-------|---------------------|--|----------------------|
| STM32L562xxxxP    |                 |                 |                  | STM32L562xxxxQ |              |              |               | STM32L562xx  |          |        |        |         |          |                                    |           |               |       |                     |  |                      |
| UFQFPN48_Ext-SMPS | LQFP48_Ext-SMPS | LQFP64_Ext-SMPS | WLCSP81_Ext-SMPS | LQFP64_SMPS    | WLCSP81_SMPS | LQFP100_SMPS | UFBGA132_SMPS | LQFP144_SMPS | UFQFPN48 | LQFP48 | LQFP64 | LQFP100 | UFBGA132 |                                    |           |               |       |                     |  | LQFP144              |
| 43                | 43              | 58              | D6               | 59             | D6           | 93           | D5            | 136          | 43       | 43     | 59     | 93      | D5       | 137                                | PB7       | I/O           | FT_fa | -                   | LPTIM1_IN2,<br>TIM4_CH2,<br>TIM8_BKIN,<br>I2C1_SDA, I2C4_SDA,<br>USART1_RX,<br>UART4_CTS,<br>TSC_G2_IO4,<br>FMC_NL,<br>TIM17_CH1N,<br>EVENTOUT | COMP2_INM,<br>PVD_IN |
| 44                | 44              | 59              | D7               | 60             | D7           | 94           | B5            | 137          | 44       | 44     | 60     | 94      | B5       | 138                                | PH3-BOOT0 | I/O           | FT    | -                   | EVENTOUT   | -                    |
| 45                | 45              | 60              | C7               | 61             | C7           | 95           | C5            | 138          | 45       | 45     | 61     | 95      | C5       | 139                                | PB8       | I/O           | FT_f  | -                   | TIM4_CH3, SAI1_CK1,<br>I2C1_SCL,<br>DFSDM1_CKOUT,<br>SDMMC1_CKIN,<br>FDCAN1_RX,<br>SDMMC1_D4,<br>SAI1_MCLK_A,<br>TIM16_CH1,<br>EVENTOUT        | -                    |



Table 21. STM32L562xx pin definitions (continued)

| Pin Number        |                 |                 |                  |                |              |              |               |              |          |        |        |         |          | Pin name<br>(function after reset) | Pin type   | I/O structure | Notes | Alternate functions | Additional functions   |         |
|-------------------|-----------------|-----------------|------------------|----------------|--------------|--------------|---------------|--------------|----------|--------|--------|---------|----------|------------------------------------|------------|---------------|-------|---------------------|--|---------|
| STM32L562xxxxP    |                 |                 |                  | STM32L562xxxxQ |              |              |               | STM32L562xx  |          |        |        |         |          |                                    |            |               |       |                     |  |         |
| UFQFPN48_Ext-SMPS | LQFP48_Ext-SMPS | LQFP64_Ext-SMPS | WLCSP81_Ext-SMPS | LQFP64_SMPS    | WLCSP81_SMPS | LQFP100_SMPS | UFBGA132_SMPS | LQFP144_SMPS | UFQFPN48 | LQFP48 | LQFP64 | LQFP100 | UFBGA132 |                                    |            |               |       |                     |  | LQFP144 |
| -                 | -               | 61              | A7               | -              | A7           | 96           | A4            | 139          | 46       | 46     | 62     | 96      | A4       | 140                                | PB9        | I/O           | FT_f  | -                   | IR_OUT, TIM4_CH4, SAI1_D2, I2C1_SDA, SPI2_NSS, SDMMC1_CDOR, FDCAN1_TX, SDMMC1_D5, SAI1_FS_A, TIM17_CH1, EVENTOUT | -       |
| -                 | -               | -               | -                | -              | -            | 97           | C4            | 140          | -        | -      | -      | 97      | C4       | 141                                | PE0        | I/O           | FT    | -                   | TIM4_ETR, FMC_NBL0, TIM16_CH1, EVENTOUT  | -       |
| -                 | -               | -               | -                | -              | -            | -            | A3            | 141          | -        | -      | -      | 98      | A3       | 142                                | PE1        | I/O           | FT    | -                   | FMC_NBL1, TIM17_CH1, EVENTOUT  | -       |
| 46                | 46              | 62              | A8               | -              | -            | -            | -             | -            | -        | -      | -      | -       | -        | -                                  | VDD12_2    | S             | -     | -                   | -  | -       |
| 47                | 47              | 63              | E8               | 62             | E8           | 98           | E4            | 142          | 47       | 47     | 63     | 99      | E4       | 143                                | VSS        | S             | -     | -                   | -  | -       |
| -                 | -               | -               | -                | 63             | A8           | 99           | B4            | 143          | -        | -      | -      | -       | -        | -                                  | V15S MPS_2 | S             | -     | -                   | -  | -       |
| 48                | 48              | 64              | F9               | 64             | F9           | 100          | J9            | 144          | 48       | 48     | 64     | 100     | J9       | 144                                | VDD        | S             | -     | -                   | -  | -       |

1. PC13, PC14 and PC15 are supplied through the power switch. Since the switch only sinks a limited amount of current (3 mA), the use of GPIOs PC13 to PC15 in output mode is limited:
  - The speed should not exceed 2 MHz with a maximum load of 30 pF
  - These GPIOs must not be used as current sources (for example to drive a LED).
2. After a Backup domain power-up, PC13, PC14 and PC15 operate as GPIOs. Their function then depends on the content of the RTC registers which are not reset by the system reset. For details on how to manage these GPIOs, refer to the Backup domain and RTC register descriptions in the RM0438 reference manual.
3. After reset, these pins are configured as JTAG/SW debug alternate functions, and the internal pull-up on PA15, PA13, PB4 pins and the internal pull-down on PA14 pin are activated.



Table 22. Alternate function AF0 to AF7<sup>(1)</sup>

| Port   | AF0    | AF1               | AF2                 | AF3                                   | AF4          | AF5                           | AF6                     | AF7            |                |
|--------|--------|-------------------|---------------------|---------------------------------------|--------------|-------------------------------|-------------------------|----------------|----------------|
|        | SYS_AF | TIM1/2/5/8/LPTIM1 | TIM1/2/3/4/5/LPTIM3 | SPI2/SAI1/I2C4/USART2/TIM1/8/OCTOSPI1 | I2C1/2/3/4   | SPI1/2/3/I2C4/DFSDM1/OCTOSPI1 | SPI3/I2C3/DFSDM1/COMP1/ | USART1/2/3     |                |
| Port A | PA0    | -                 | TIM2_CH1            | TIM5_CH1                              | TIM8_ETR     | -                             | -                       | USART2_CTS_NSS |                |
|        | PA1    | -                 | TIM2_CH2            | TIM5_CH2                              | -            | I2C1_SMBA                     | SPI1_SCK                | USART2_RTS_DE  |                |
|        | PA2    | -                 | TIM2_CH3            | TIM5_CH3                              | -            | -                             | -                       | USART2_TX      |                |
|        | PA3    | -                 | TIM2_CH4            | TIM5_CH4                              | SAI1_CK1     | -                             | -                       | USART2_RX      |                |
|        | PA4    | -                 | -                   | -                                     | OCTOSPI1_NCS | -                             | SPI1_NSS                | SPI3_NSS       | USART2_CK      |
|        | PA5    | -                 | TIM2_CH1            | TIM2_ETR                              | TIM8_CH1N    | -                             | SPI1_SCK                | -              | -              |
|        | PA6    | -                 | TIM1_BKIN           | TIM3_CH1                              | TIM8_BKIN    | -                             | SPI1_MISO               | -              | USART3_CTS_NSS |
|        | PA7    | -                 | TIM1_CH1N           | TIM3_CH2                              | TIM8_CH1N    | I2C3_SCL                      | SPI1_MOSI               | -              | -              |
|        | PA8    | MCO               | TIM1_CH1            | -                                     | SAI1_CK2     | -                             | -                       | -              | USART1_CK      |
|        | PA9    | -                 | TIM1_CH2            | -                                     | SPI2_SCK     | -                             | -                       | -              | USART1_TX      |
|        | PA10   | -                 | TIM1_CH3            | -                                     | SAI1_D1      | -                             | -                       | -              | USART1_RX      |
|        | PA11   | -                 | TIM1_CH4            | TIM1_BKIN2                            | -            | -                             | SPI1_MISO               | -              | USART1_CTS_NSS |
|        | PA12   | -                 | TIM1_ETR            | -                                     | -            | -                             | SPI1_MOSI               | -              | USART1_RTS_DE  |
|        | PA13   | JTMS/SWDIO        | IR_OUT              | -                                     | -            | -                             | -                       | -              | -              |
|        | PA14   | JTCK/SWCLK        | LPTIM1_OUT          | -                                     | -            | I2C1_SMBA                     | I2C4_SMBA               | -              | -              |
| PA15   | JTDI   | TIM2_CH1          | TIM2_ETR            | USART2_RX                             | -            | SPI1_NSS                      | SPI3_NSS                | USART3_RTS_DE  |                |



Table 22. Alternate function AF0 to AF7<sup>(1)</sup> (continued)

| Port   | AF0       | AF1               | AF2                 | AF3                                   | AF4           | AF5                           | AF6                     | AF7          |                |
|--------|-----------|-------------------|---------------------|---------------------------------------|---------------|-------------------------------|-------------------------|--------------|----------------|
|        | SYS_AF    | TIM1/2/5/8/LPTIM1 | TIM1/2/3/4/5/LPTIM3 | SPI2/SAI1/I2C4/USART2/TIM1/8/OCTOSPI1 | I2C1/2/3/4    | SPI1/2/3/I2C4/DFSDM1/OCTOSPI1 | SPI3/I2C3/DFSDM1/COMP1/ | USART1/2/3   |                |
| Port B | PB0       | -                 | TIM1_CH2N           | TIM3_CH3                              | TIM8_CH2N     | -                             | SPI1_NSS                | -            | USART3_CK      |
|        | PB1       | -                 | TIM1_CH3N           | TIM3_CH4                              | TIM8_CH3N     | -                             | -                       | DFSDM1_DATA0 | USART3_RTS_DE  |
|        | PB2       | -                 | LPTIM1_OUT          | -                                     | -             | I2C3_SMBA                     | -                       | DFSDM1_DATA0 | -              |
|        | PB3       | JTDO/TRACE SWO    | TIM2_CH2            | -                                     | -             | -                             | SPI1_SCK                | SPI3_SCK     | USART1_RTS_DE  |
|        | PB4       | NJTRST            | -                   | TIM3_CH1                              | -             | I2C3_SDA                      | SPI1_MISO               | SPI3_MISO    | USART1_CTS_NSS |
|        | PB5       | -                 | LPTIM1_IN1          | TIM3_CH2                              | OCTOSPI1_NCLK | I2C1_SMBA                     | SPI1_MOSI               | SPI3_MOSI    | USART1_CK      |
|        | PB6       | -                 | LPTIM1_ETR          | TIM4_CH1                              | TIM8_BKIN2    | I2C1_SCL                      | I2C4_SCL                | -            | USART1_TX      |
|        | PB7       | -                 | LPTIM1_IN2          | TIM4_CH2                              | TIM8_BKIN     | I2C1_SDA                      | I2C4_SDA                | -            | USART1_RX      |
|        | PB8       | -                 | -                   | TIM4_CH3                              | SAI1_CK1      | I2C1_SCL                      | DFSDM1_CKOUT            | -            | -              |
|        | PB9       | -                 | IR_OUT              | TIM4_CH4                              | SAI1_D2       | I2C1_SDA                      | SPI2_NSS                | -            | -              |
|        | PB10      | -                 | TIM2_CH3            | LPTIM3_OUT                            | I2C4_SCL      | I2C2_SCL                      | SPI2_SCK                | -            | USART3_TX      |
|        | PB11      | -                 | TIM2_CH4            | -                                     | I2C4_SDA      | I2C2_SDA                      | -                       | -            | USART3_RX      |
|        | PB12      | -                 | TIM1_BKIN           | -                                     | TIM1_BKIN     | I2C2_SMBA                     | SPI2_NSS                | DFSDM1_DATA1 | USART3_CK      |
|        | PB13      | -                 | TIM1_CH1N           | LPTIM3_IN1                            | -             | I2C2_SCL                      | SPI2_SCK                | DFSDM1_DATA1 | USART3_CTS_NSS |
|        | PB14      | -                 | TIM1_CH2N           | LPTIM3_ETR                            | TIM8_CH2N     | I2C2_SDA                      | SPI2_MISO               | DFSDM1_DATA2 | USART3_RTS_DE  |
| PB15   | RTC_REFIN | TIM1_CH3N         | -                   | TIM8_CH3N                             | -             | SPI2_MOSI                     | DFSDM1_DATA2            | -            |                |



Table 22. Alternate function AF0 to AF7<sup>(1)</sup> (continued)

| Port   | AF0    | AF1               | AF2                 | AF3                                   | AF4          | AF5                           | AF6                     | AF7            |           |
|--------|--------|-------------------|---------------------|---------------------------------------|--------------|-------------------------------|-------------------------|----------------|-----------|
|        | SYS_AF | TIM1/2/5/8/LPTIM1 | TIM1/2/3/4/5/LPTIM3 | SPI2/SAI1/I2C4/USART2/TIM1/8/OCTOSPI1 | I2C1/2/3/4   | SPI1/2/3/I2C4/DFSDM1/OCTOSPI1 | SPI3/I2C3/DFSDM1/COMP1/ | USART1/2/3     |           |
| Port C | PC0    | -                 | LPTIM1_IN1          | -                                     | OCTOSPI1_IO7 | I2C3_SCL                      | -                       | -              |           |
|        | PC1    | TRACED0           | LPTIM1_OUT          | -                                     | SPI2_MOSI    | I2C3_SDA                      | -                       | -              |           |
|        | PC2    | -                 | LPTIM1_IN2          | -                                     | -            | -                             | SPI2_MISO               | DFSDM1_CKOUT   |           |
|        | PC3    | -                 | LPTIM1_ETR          | LPTIM3_OUT                            | SAI1_D1      | -                             | SPI2_MOSI               | -              |           |
|        | PC4    | -                 | -                   | -                                     | -            | -                             | -                       | USART3_TX      |           |
|        | PC5    | -                 | -                   | -                                     | SAI1_D3      | -                             | -                       | USART3_RX      |           |
|        | PC6    | -                 | -                   | TIM3_CH1                              | TIM8_CH1     | -                             | -                       | DFSDM1_CKIN3   |           |
|        | PC7    | -                 | -                   | TIM3_CH2                              | TIM8_CH2     | -                             | -                       | DFSDM1_DATAIN3 |           |
|        | PC8    | -                 | -                   | TIM3_CH3                              | TIM8_CH3     | -                             | -                       | -              |           |
|        | PC9    | TRACED0           | TIM8_BKIN2          | TIM3_CH4                              | TIM8_CH4     | -                             | -                       | -              |           |
|        | PC10   | TRACED1           | -                   | LPTIM3_ETR                            | -            | -                             | -                       | SPI3_SCK       | USART3_TX |
|        | PC11   | -                 | -                   | LPTIM3_IN1                            | -            | -                             | OCTOSPI1_NCS            | SPI3_MISO      | USART3_RX |
|        | PC12   | TRACED3           | -                   | -                                     | -            | -                             | -                       | SPI3_MOSI      | USART3_CK |
|        | PC13   | -                 | -                   | -                                     | -            | -                             | -                       | -              | -         |
|        | PC14   | -                 | -                   | -                                     | -            | -                             | -                       | -              | -         |
| PC15   | -      | -                 | -                   | -                                     | -            | -                             | -                       | -              |           |



Table 22. Alternate function AF0 to AF7<sup>(1)</sup> (continued)

| Port   | AF0    | AF1               | AF2                 | AF3                                   | AF4        | AF5                           | AF6                     | AF7                              |
|--------|--------|-------------------|---------------------|---------------------------------------|------------|-------------------------------|-------------------------|----------------------------------|
|        | SYS_AF | TIM1/2/5/8/LPTIM1 | TIM1/2/3/4/5/LPTIM3 | SPI2/SAI1/I2C4/USART2/TIM1/8/OCTOSPI1 | I2C1/2/3/4 | SPI1/2/3/I2C4/DFSDM1/OCTOSPI1 | SPI3/I2C3/DFSDM1/COMP1/ | USART1/2/3                       |
| Port D | PD0    | -                 | -                   | -                                     | -          | -                             | SPI2_NSS                | -                                |
|        | PD1    | -                 | -                   | -                                     | -          | -                             | SPI2_SCK                | -                                |
|        | PD2    | TRACED2           | -                   | TIM3_ETR                              | -          | -                             | -                       | USART3_RTS_DE                    |
|        | PD3    | -                 | -                   | -                                     | SPI2_SCK   | -                             | SPI2_MISO               | DFSDM1_DATI_N0<br>USART2_CTS_NSS |
|        | PD4    | -                 | -                   | -                                     | -          | -                             | SPI2_MOSI               | DFSDM1_CKI_N0<br>USART2_RTS_DE   |
|        | PD5    | -                 | -                   | -                                     | -          | -                             | -                       | USART2_TX                        |
|        | PD6    | -                 | -                   | -                                     | SAI1_D1    | -                             | SPI3_MOSI               | DFSDM1_DATI_N1<br>USART2_RX      |
|        | PD7    | -                 | -                   | -                                     | -          | -                             | -                       | DFSDM1_CKI_N1<br>USART2_CK       |
|        | PD8    | -                 | -                   | -                                     | -          | -                             | -                       | USART3_TX                        |
|        | PD9    | -                 | -                   | -                                     | -          | -                             | -                       | USART3_RX                        |
|        | PD10   | -                 | -                   | -                                     | -          | -                             | -                       | USART3_CK                        |
|        | PD11   | -                 | -                   | -                                     | -          | I2C4_SMBA                     | -                       | USART3_CTS_NSS                   |
|        | PD12   | -                 | -                   | TIM4_CH1                              | -          | I2C4_SCL                      | -                       | USART3_RTS_DE                    |
|        | PD13   | -                 | -                   | TIM4_CH2                              | -          | I2C4_SDA                      | -                       | -                                |
|        | PD14   | -                 | -                   | TIM4_CH3                              | -          | -                             | -                       | -                                |
| PD15   | -      | -                 | TIM4_CH4            | -                                     | -          | -                             | -                       |                                  |

Table 22. Alternate function AF0 to AF7<sup>(1)</sup> (continued)

| Port   | AF0    | AF1               | AF2                 | AF3                                   | AF4          | AF5                           | AF6                     | AF7               |
|--------|--------|-------------------|---------------------|---------------------------------------|--------------|-------------------------------|-------------------------|-------------------|
|        | SYS_AF | TIM1/2/5/8/LPTIM1 | TIM1/2/3/4/5/LPTIM3 | SPI2/SAI1/I2C4/USART2/TIM1/8/OCTOSPI1 | I2C1/2/3/4   | SPI1/2/3/I2C4/DFSDM1/OCTOSPI1 | SPI3/I2C3/DFSDM1/COMP1/ | USART1/2/3        |
| Port E | PE0    | -                 | -                   | TIM4_ETR                              | -            | -                             | -                       | -                 |
|        | PE1    | -                 | -                   | -                                     | -            | -                             | -                       | -                 |
|        | PE2    | TRACECK           | -                   | TIM3_ETR                              | SAI1_CK1     | -                             | -                       | -                 |
|        | PE3    | TRACED0           | -                   | TIM3_CH1                              | OCTOSPI1_DQS | -                             | -                       | -                 |
|        | PE4    | TRACED1           | -                   | TIM3_CH2                              | SAI1_D2      | -                             | -                       | DFSDM1_DATI<br>N3 |
|        | PE5    | TRACED2           | -                   | TIM3_CH3                              | SAI1_CK2     | -                             | -                       | DFSDM1_CK1<br>N3  |
|        | PE6    | TRACED3           | -                   | TIM3_CH4                              | SAI1_D1      | -                             | -                       | -                 |
|        | PE7    | -                 | TIM1_ETR            | -                                     | -            | -                             | -                       | DFSDM1_DATI<br>N2 |
|        | PE8    | -                 | TIM1_CH1N           | -                                     | -            | -                             | -                       | DFSDM1_CK1<br>N2  |
|        | PE9    | -                 | TIM1_CH1            | -                                     | -            | -                             | -                       | DFSDM1_CKOUT      |
|        | PE10   | -                 | TIM1_CH2N           | -                                     | -            | -                             | -                       | -                 |
|        | PE11   | -                 | TIM1_CH2            | -                                     | -            | -                             | -                       | -                 |
|        | PE12   | -                 | TIM1_CH3N           | -                                     | -            | -                             | SPI1_NSS                | -                 |
|        | PE13   | -                 | TIM1_CH3            | -                                     | -            | -                             | SPI1_SCK                | -                 |
|        | PE14   | -                 | TIM1_CH4            | TIM1_BKIN2                            | TIM1_BKIN2   | -                             | SPI1_MISO               | -                 |
|        | PE15   | -                 | TIM1_BKIN           | -                                     | TIM1_BKIN    | -                             | SPI1_MOSI               | -                 |

Table 22. Alternate function AF0 to AF7<sup>(1)</sup> (continued)

| Port   | AF0    | AF1               | AF2                 | AF3                                   | AF4           | AF5                           | AF6                     | AF7          |
|--------|--------|-------------------|---------------------|---------------------------------------|---------------|-------------------------------|-------------------------|--------------|
|        | SYS_AF | TIM1/2/5/8/LPTIM1 | TIM1/2/3/4/5/LPTIM3 | SPI2/SAI1/I2C4/USART2/TIM1/8/OCTOSPI1 | I2C1/2/3/4    | SPI1/2/3/I2C4/DFSDM1/OCTOSPI1 | SPI3/I2C3/DFSDM1/COMP1/ | USART1/2/3   |
| Port F | PF0    | -                 | -                   | -                                     | -             | I2C2_SDA                      | -                       | -            |
|        | PF1    | -                 | -                   | -                                     | -             | I2C2_SCL                      | -                       | -            |
|        | PF2    | -                 | -                   | -                                     | -             | I2C2_SMBA                     | -                       | -            |
|        | PF3    | -                 | -                   | LPTIM3_IN1                            | -             | -                             | -                       | -            |
|        | PF4    | -                 | -                   | LPTIM3_ETR                            | -             | -                             | -                       | -            |
|        | PF5    | -                 | -                   | LPTIM3_OUT                            | -             | -                             | -                       | -            |
|        | PF6    | -                 | TIM5_ETR            | TIM5_CH1                              | -             | -                             | -                       | -            |
|        | PF7    | -                 | -                   | TIM5_CH2                              | -             | -                             | -                       | -            |
|        | PF8    | -                 | -                   | TIM5_CH3                              | -             | -                             | -                       | -            |
|        | PF9    | -                 | -                   | TIM5_CH4                              | -             | -                             | -                       | -            |
|        | PF10   | -                 | -                   | -                                     | OCTOSPI1_CLK  | -                             | -                       | DFSDM1_CKOUT |
|        | PF11   | -                 | -                   | -                                     | OCTOSPI1_NCLK | -                             | -                       | -            |
|        | PF12   | -                 | -                   | -                                     | -             | -                             | -                       | -            |
|        | PF13   | -                 | -                   | -                                     | -             | I2C4_SMBA                     | -                       | -            |
|        | PF14   | -                 | -                   | -                                     | -             | I2C4_SCL                      | -                       | -            |
|        | PF15   | -                 | -                   | -                                     | -             | I2C4_SDA                      | -                       | -            |

Table 22. Alternate function AF0 to AF7<sup>(1)</sup> (continued)

| Port   | AF0    | AF1               | AF2                 | AF3                                   | AF4          | AF5                           | AF6                     | AF7            |
|--------|--------|-------------------|---------------------|---------------------------------------|--------------|-------------------------------|-------------------------|----------------|
|        | SYS_AF | TIM1/2/5/8/LPTIM1 | TIM1/2/3/4/5/LPTIM3 | SPI2/SAI1/I2C4/USART2/TIM1/8/OCTOSPI1 | I2C1/2/3/4   | SPI1/2/3/I2C4/DFSDM1/OCTOSPI1 | SPI3/I2C3/DFSDM1/COMP1/ | USART1/2/3     |
| Port G | PG0    | -                 | -                   | -                                     | -            | -                             | -                       | -              |
|        | PG1    | -                 | -                   | -                                     | -            | -                             | -                       | -              |
|        | PG2    | -                 | -                   | -                                     | -            | -                             | SPI1_SCK                | -              |
|        | PG3    | -                 | -                   | -                                     | -            | -                             | SPI1_MISO               | -              |
|        | PG4    | -                 | -                   | -                                     | -            | -                             | SPI1_MOSI               | -              |
|        | PG5    | -                 | -                   | -                                     | -            | -                             | SPI1_NSS                | -              |
|        | PG6    | -                 | -                   | -                                     | OCTOSPI1_DQS | I2C3_SMBA                     | -                       | -              |
|        | PG7    | -                 | -                   | -                                     | SAI1_CK1     | I2C3_SCL                      | -                       | DFSDM1_CKOUT   |
|        | PG8    | -                 | -                   | -                                     | -            | I2C3_SDA                      | -                       | -              |
|        | PG9    | -                 | -                   | -                                     | -            | -                             | SPI3_SCK                | USART1_TX      |
|        | PG10   | -                 | LPTIM1_IN1          | -                                     | -            | -                             | SPI3_MISO               | USART1_RX      |
|        | PG11   | -                 | LPTIM1_IN2          | -                                     | OCTOSPI1_IO5 | -                             | SPI3_MOSI               | USART1_CTS_NSS |
|        | PG12   | -                 | LPTIM1_ETR          | -                                     | -            | -                             | SPI3_NSS                | USART1_RTS_DE  |
|        | PG13   | -                 | -                   | -                                     | -            | I2C1_SDA                      | -                       | USART1_CK      |
|        | PG14   | -                 | -                   | -                                     | -            | I2C1_SCL                      | -                       | -              |
|        | PG15   | -                 | LPTIM1_OUT          | -                                     | -            | I2C1_SMBA                     | -                       | -              |



Table 22. Alternate function AF0 to AF7<sup>(1)</sup> (continued)

| Port |     | AF0    | AF1                   | AF2                     | AF3   | AF4        | AF5                                   | AF6                         | AF7        |
|------|-----|--------|-----------------------|-------------------------|---|------------|---------------------------------------|-----------------------------|------------|
|      |     | SYS_AF | TIM1/2/5/8/L<br>PTIM1 | TIM1/2/3/4/5/<br>LPTIM3 | SPI2/SAI1/I2C4/<br>USART2/TIM1/8/<br>OCTOSPI1 | I2C1/2/3/4 | SPI1/2/3/I2C4/<br>DFSDM1/<br>OCTOSPI1 | SPI3/I2C3/DFS<br>DM1/COMP1/ | USART1/2/3 |
| Port | PH0 | -      | -                     | -                       | -   | -          | -                                     | -                           | -          |
| H    | PH1 | -      | -                     | -                       | -   | -          | -                                     | -                           | -          |
| -    | PH3 | -      | -                     | -                       | -   | -          | -                                     | -                           | -          |

1. Refer to [Table 23](#) for AF8 to AF15.

Table 23. Alternate function AF8 to AF15<sup>(1)</sup>

| Port   | AF8                    | AF9             | AF10         | AF11         | AF12                      | AF13        | AF14                   | AF15       |          |
|--------|------------------------|-----------------|--------------|--------------|---------------------------|-------------|------------------------|------------|----------|
|        | UART4/5/LPUART1/SDMMC1 | FDCAN1/TSC      | USB/OCTOSPI1 | UCPD1        | SDMMC1/COMP1/2/TIM1/8/FMC | SAI1/2/TIM8 | TIM2/8/15/16/17/LPTIM2 | EVENTOUT   |          |
| Port A | PA0                    | UART4_TX        | -            | -            | -                         | -           | SAI1_EXTCLK            | TIM2_ETR   | EVENTOUT |
|        | PA1                    | UART4_RX        | -            | OCTOSPI1_DQS | -                         | -           | -                      | TIM15_CH1N | EVENTOUT |
|        | PA2                    | LPUART1_TX      | -            | OCTOSPI1_NCS | UCPD1_FRSTX1              | -           | SAI2_EXTCLK            | TIM15_CH1  | EVENTOUT |
|        | PA3                    | LPUART1_RX      | -            | OCTOSPI1_CLK | -                         | -           | SAI1_MCLK_A            | TIM15_CH2  | EVENTOUT |
|        | PA4                    | -               | -            | -            | -                         | -           | SAI1_FS_B              | LPTIM2_OUT | EVENTOUT |
|        | PA5                    | -               | -            | -            | -                         | -           | -                      | LPTIM2_ETR | EVENTOUT |
|        | PA6                    | LPUART1_CTS_NSS | -            | OCTOSPI1_IO3 | -                         | TIM1_BKIN   | TIM8_BKIN              | TIM16_CH1  | EVENTOUT |
|        | PA7                    | -               | -            | OCTOSPI1_IO2 | -                         | -           | -                      | TIM17_CH1  | EVENTOUT |
|        | PA8                    | -               | -            | -            | -                         | -           | SAI1_SCK_A             | LPTIM2_OUT | EVENTOUT |
|        | PA9                    | -               | -            | -            | -                         | -           | SAI1_FS_A              | TIM15_BKIN | EVENTOUT |
|        | PA10                   | -               | -            | CRS_SYNC     | -                         | -           | SAI1_SD_A              | TIM17_BKIN | EVENTOUT |
|        | PA11                   | -               | FDCAN1_RX    | USB_DM       | -                         | TIM1_BKIN2  | -                      | -          | EVENTOUT |
|        | PA12                   | -               | FDCAN1_TX    | USB_DP       | -                         | -           | -                      | -          | EVENTOUT |
|        | PA13                   | -               | -            | USB_NOE      | -                         | -           | SAI1_SD_B              | -          | EVENTOUT |
|        | PA14                   | -               | -            | -            | -                         | -           | SAI1_FS_B              | -          | EVENTOUT |
| PA15   | UART4_RTS_D<br>E       | -               | -            | -            | -                         | SAI2_FS_B   | -                      | EVENTOUT   |          |



**Table 23. Alternate function AF8 to AF15<sup>(1)</sup> (continued)**

| Port   | AF8                    | AF9             | AF10         | AF11          | AF12                      | AF13        | AF14                   | AF15       |          |
|--------|------------------------|-----------------|--------------|---------------|---------------------------|-------------|------------------------|------------|----------|
|        | UART4/5/LPUART1/SDMMC1 | FDCAN1/TSC      | USB/OCTOSPI1 | UCPD1         | SDMMC1/COMP1/2/TIM1/8/FMC | SAI1/2/TIM8 | TIM2/8/15/16/17/LPTIM2 | EVENTOUT   |          |
| Port B | PB0                    | -               | -            | OCTOSPI1_IO1  | -                         | COMP1_OUT   | SAI1_EXTCLK            | -          | EVENTOUT |
|        | PB1                    | LPUART1_RTS_DE  | -            | OCTOSPI1_IO0  | -                         | -           | -                      | LPTIM2_IN1 | EVENTOUT |
|        | PB2                    | -               | -            | OCTOSPI1_DQS  | UCPD1_FRSTX1              | -           | -                      | -          | EVENTOUT |
|        | PB3                    | -               | -            | CRS_SYNC      | -                         | -           | SAI1_SCK_B             | -          | EVENTOUT |
|        | PB4                    | UART5_RTS_DE    | TSC_G2_IO1   | -             | -                         | -           | SAI1_MCLK_B            | TIM17_BKIN | EVENTOUT |
|        | PB5                    | UART5_CTS_NSS   | TSC_G2_IO2   | -             | -                         | COMP2_OUT   | SAI1_SD_B              | TIM16_BKIN | EVENTOUT |
|        | PB6                    | -               | TSC_G2_IO3   | -             | -                         | TIM8_BKIN2  | SAI1_FS_B              | TIM16_CH1N | EVENTOUT |
|        | PB7                    | UART4_CTS_NSS   | TSC_G2_IO4   | -             | -                         | FMC_NL      | TIM8_BKIN              | TIM17_CH1N | EVENTOUT |
|        | PB8                    | SDMMC1_CKIN     | FDCAN1_RX    | -             | -                         | SDMMC1_D4   | SAI1_MCLK_A            | TIM16_CH1  | EVENTOUT |
|        | PB9                    | SDMMC1_CDIR     | FDCAN1_TX    | -             | -                         | SDMMC1_D5   | SAI1_FS_A              | TIM17_CH1  | EVENTOUT |
|        | PB10                   | LPUART1_RX      | TSC_SYNC     | OCTOSPI1_CLK  | -                         | COMP1_OUT   | SAI1_SCK_A             | -          | EVENTOUT |
|        | PB11                   | LPUART1_TX      | -            | OCTOSPI1_NCS  | -                         | COMP2_OUT   | -                      | -          | EVENTOUT |
|        | PB12                   | LPUART1_RTS_DE  | TSC_G1_IO1   | OCTOSPI1_NCLK | -                         | -           | SAI2_FS_A              | TIM15_BKIN | EVENTOUT |
|        | PB13                   | LPUART1_CTS_NSS | TSC_G1_IO2   | -             | UCPD1_FRSTX2              | -           | SAI2_SCK_A             | TIM15_CH1N | EVENTOUT |
|        | PB14                   | -               | TSC_G1_IO3   | -             | -                         | -           | SAI2_MCLK_A            | TIM15_CH1  | EVENTOUT |
| PB15   | -                      | -               | -            | -             | -                         | SAI2_SD_A   | TIM15_CH2              | EVENTOUT   |          |



Table 23. Alternate function AF8 to AF15<sup>(1)</sup> (continued)

| Port   | AF8                    | AF9            | AF10         | AF11         | AF12                      | AF13        | AF14                   | AF15       |          |
|--------|------------------------|----------------|--------------|--------------|---------------------------|-------------|------------------------|------------|----------|
|        | UART4/5/LPUART1/SDMMC1 | FDCAN1/TSC     | USB/OCTOSPI1 | UCPD1        | SDMMC1/COMP1/2/TIM1/8/FMC | SAI1/2/TIM8 | TIM2/8/15/16/17/LPTIM2 | EVENTOUT   |          |
| Port C | PC0                    | LPUART1_RX     | -            | -            | -                         | SDMMC1_D5   | SAI2_FS_A              | LPTIM2_IN1 | EVENTOUT |
|        | PC1                    | LPUART1_TX     | -            | OCTOSPI1_IO4 | -                         | -           | SAI1_SD_A              | -          | EVENTOUT |
|        | PC2                    | -              | TSC_G3_IO1   | OCTOSPI1_IO5 | -                         | -           | -                      | -          | EVENTOUT |
|        | PC3                    | -              | TSC_G1_IO4   | OCTOSPI1_IO6 | -                         | -           | SAI1_SD_A              | LPTIM2_ETR | EVENTOUT |
|        | PC4                    | -              | -            | OCTOSPI1_IO7 | -                         | -           | -                      | -          | EVENTOUT |
|        | PC5                    | -              | -            | -            | -                         | -           | -                      | -          | EVENTOUT |
|        | PC6                    | SDMMC1_D0DIR   | TSC_G4_IO1   | -            | -                         | SDMMC1_D6   | SAI2_MCLK_A            | -          | EVENTOUT |
|        | PC7                    | SDMMC1_D123DIR | TSC_G4_IO2   | -            | -                         | SDMMC1_D7   | SAI2_MCLK_B            | -          | EVENTOUT |
|        | PC8                    | -              | TSC_G4_IO3   | -            | -                         | SDMMC1_D0   | -                      | -          | EVENTOUT |
|        | PC9                    | -              | TSC_G4_IO4   | USB_NOE      | -                         | SDMMC1_D1   | SAI2_EXTCLK            | TIM8_BKIN2 | EVENTOUT |
|        | PC10                   | UART4_TX       | TSC_G3_IO2   | -            | -                         | SDMMC1_D2   | SAI2_SCK_B             | -          | EVENTOUT |
|        | PC11                   | UART4_RX       | TSC_G3_IO3   | -            | UCPD1_FRSTX2              | SDMMC1_D3   | SAI2_MCLK_B            | -          | EVENTOUT |
|        | PC12                   | UART5_TX       | TSC_G3_IO4   | -            | -                         | SDMMC1_CK   | SAI2_SD_B              | -          | EVENTOUT |
|        | PC13                   | -              | -            | -            | -                         | -           | -                      | -          | EVENTOUT |
|        | PC14                   | -              | -            | -            | -                         | -           | -                      | -          | EVENTOUT |
| PC15   | -                      | -              | -            | -            | -                         | -           | -                      | EVENTOUT   |          |



Table 23. Alternate function AF8 to AF15<sup>(1)</sup> (continued)

| Port   | AF8                    | AF9        | AF10         | AF11         | AF12                      | AF13            | AF14                   | AF15       |          |
|--------|------------------------|------------|--------------|--------------|---------------------------|-----------------|------------------------|------------|----------|
|        | UART4/5/LPUART1/SDMMC1 | FDCAN1/TSC | USB/OCTOSPI1 | UCPD1        | SDMMC1/COMP1/2/TIM1/8/FMC | SAI1/2/TIM8     | TIM2/8/15/16/17/LPTIM2 | EVENTOUT   |          |
| Port D | PD0                    | -          | FDCAN1_RX    | -            | -                         | FMC_D2          | -                      | -          | EVENTOUT |
|        | PD1                    | -          | FDCAN1_TX    | -            | -                         | FMC_D3          | -                      | -          | EVENTOUT |
|        | PD2                    | UART5_RX   | TSC_SYNC     | -            | -                         | SDMMC1_CMD      | -                      | -          | EVENTOUT |
|        | PD3                    | -          | -            | -            | -                         | FMC_CLK         | -                      | -          | EVENTOUT |
|        | PD4                    | -          | -            | OCTOSPI1_IO4 | -                         | FMC_NOE         | -                      | -          | EVENTOUT |
|        | PD5                    | -          | -            | OCTOSPI1_IO5 | -                         | FMC_NWE         | -                      | -          | EVENTOUT |
|        | PD6                    | -          | -            | OCTOSPI1_IO6 | -                         | FMC_NWAIT       | SAI1_SD_A              | -          | EVENTOUT |
|        | PD7                    | -          | -            | OCTOSPI1_IO7 | -                         | FMC_NCE/FMC_NE1 | -                      | -          | EVENTOUT |
|        | PD8                    | -          | -            | -            | -                         | FMC_D13         | -                      | -          | EVENTOUT |
|        | PD9                    | -          | -            | -            | -                         | FMC_D14         | SAI2_MCLK_A            | -          | EVENTOUT |
|        | PD10                   | -          | TSC_G6_IO1   | -            | -                         | FMC_D15         | SAI2_SCK_A             | -          | EVENTOUT |
|        | PD11                   | -          | TSC_G6_IO2   | -            | -                         | FMC_A16         | SAI2_SD_A              | LPTIM2_ETR | EVENTOUT |
|        | PD12                   | -          | TSC_G6_IO3   | -            | -                         | FMC_A17         | SAI2_FS_A              | LPTIM2_IN1 | EVENTOUT |
|        | PD13                   | -          | TSC_G6_IO4   | -            | -                         | FMC_A18         | -                      | LPTIM2_OUT | EVENTOUT |
|        | PD14                   | -          | -            | -            | -                         | FMC_D0          | -                      | -          | EVENTOUT |
| PD15   | -                      | -          | -            | -            | FMC_D1                    | -               | -                      | EVENTOUT   |          |

Table 23. Alternate function AF8 to AF15<sup>(1)</sup> (continued)

| Port      | AF8                        | AF9            | AF10           | AF11          | AF12                          | AF13        | AF14                       | AF15      |          |
|-----------|----------------------------|----------------|----------------|---------------|-------------------------------|-------------|----------------------------|-----------|----------|
|           | UART4/5/LPUA<br>RT1/SDMMC1 | FDCAN1/<br>TSC | USB/OCTOSPI1   | UCPD1         | SDMMC1/COMP1<br>/2/TIM1/8/FMC | SAI1/2/TIM8 | TIM2/8/15/16/17/<br>LPTIM2 | EVENTOUT  |          |
| Port<br>E | PE0                        | -              | -              | -             | -                             | FMC_NBL0    | -                          | TIM16_CH1 | EVENTOUT |
|           | PE1                        | -              | -              | -             | -                             | FMC_NBL1    | -                          | TIM17_CH1 | EVENTOUT |
|           | PE2                        | -              | TSC_G7_<br>IO1 | -             | -                             | FMC_A23     | SAI1_MCLK_A                | -         | EVENTOUT |
|           | PE3                        | -              | TSC_G7_<br>IO2 | -             | -                             | FMC_A19     | SAI1_SD_B                  | -         | EVENTOUT |
|           | PE4                        | -              | TSC_G7_<br>IO3 | -             | -                             | FMC_A20     | SAI1_FS_A                  | -         | EVENTOUT |
|           | PE5                        | -              | TSC_G7_<br>IO4 | -             | -                             | FMC_A21     | SAI1_SCK_A                 | -         | EVENTOUT |
|           | PE6                        | -              | -              | -             | -                             | FMC_A22     | SAI1_SD_A                  | -         | EVENTOUT |
|           | PE7                        | -              | -              | -             | -                             | FMC_D4      | SAI1_SD_B                  | -         | EVENTOUT |
|           | PE8                        | -              | -              | -             | -                             | FMC_D5      | SAI1_SCK_B                 | -         | EVENTOUT |
|           | PE9                        | -              | -              | OCTOSPI1_NCLK | -                             | FMC_D6      | SAI1_FS_B                  | -         | EVENTOUT |
|           | PE10                       | -              | TSC_G5_<br>IO1 | OCTOSPI1_CLK  | -                             | FMC_D7      | SAI1_MCLK_B                | -         | EVENTOUT |
|           | PE11                       | -              | TSC_G5_<br>IO2 | OCTOSPI1_NCS  | -                             | FMC_D8      | -                          | -         | EVENTOUT |
|           | PE12                       | -              | TSC_G5_<br>IO3 | OCTOSPI1_IO0  | -                             | FMC_D9      | -                          | -         | EVENTOUT |
|           | PE13                       | -              | TSC_G5_<br>IO4 | OCTOSPI1_IO1  | -                             | FMC_D10     | -                          | -         | EVENTOUT |
|           | PE14                       | -              | -              | OCTOSPI1_IO2  | -                             | FMC_D11     | -                          | -         | EVENTOUT |
| PE15      | -                          | -              | OCTOSPI1_IO3   | -             | FMC_D12                       | -           | -                          | EVENTOUT  |          |

Table 23. Alternate function AF8 to AF15<sup>(1)</sup> (continued)

| Port      | AF8                        | AF9            | AF10           | AF11         | AF12                          | AF13        | AF14                       | AF15      |          |
|-----------|----------------------------|----------------|----------------|--------------|-------------------------------|-------------|----------------------------|-----------|----------|
|           | UART4/5/LPUA<br>RT1/SDMMC1 | FDCAN1/<br>TSC | USB/OCTOSPI1   | UCPD1        | SDMMC1/COMP1<br>/2/TIM1/8/FMC | SAI1/2/TIM8 | TIM2/8/15/16/17/<br>LPTIM2 | EVENTOUT  |          |
| Port<br>F | PF0                        | -              | -              | -            | -                             | FMC_A0      | -                          | -         | EVENTOUT |
|           | PF1                        | -              | -              | -            | -                             | FMC_A1      | -                          | -         | EVENTOUT |
|           | PF2                        | -              | -              | -            | -                             | FMC_A2      | -                          | -         | EVENTOUT |
|           | PF3                        | -              | -              | -            | -                             | FMC_A3      | -                          | -         | EVENTOUT |
|           | PF4                        | -              | -              | -            | -                             | FMC_A4      | -                          | -         | EVENTOUT |
|           | PF5                        | -              | -              | -            | -                             | FMC_A5      | -                          | -         | EVENTOUT |
|           | PF6                        | -              | -              | OCTOSPI1_IO3 | -                             | -           | SAI1_SD_B                  | -         | EVENTOUT |
|           | PF7                        | -              | -              | OCTOSPI1_IO2 | -                             | -           | SAI1_MCLK_B                | -         | EVENTOUT |
|           | PF8                        | -              | -              | OCTOSPI1_IO0 | -                             | -           | SAI1_SCK_B                 | -         | EVENTOUT |
|           | PF9                        | -              | -              | OCTOSPI1_IO1 | -                             | -           | SAI1_FS_B                  | TIM15_CH1 | EVENTOUT |
|           | PF10                       | -              | -              | -            | -                             | -           | SAI1_D3                    | TIM15_CH2 | EVENTOUT |
|           | PF11                       | -              | -              | -            | -                             | -           | -                          | -         | EVENTOUT |
|           | PF12                       | -              | -              | -            | -                             | FMC_A6      | -                          | -         | EVENTOUT |
|           | PF13                       | -              | -              | -            | -                             | FMC_A7      | -                          | -         | EVENTOUT |
|           | PF14                       | -              | TSC_G8_<br>IO1 | -            | -                             | FMC_A8      | -                          | -         | EVENTOUT |
|           | PF15                       | -              | TSC_G8_<br>IO2 | -            | -                             | FMC_A9      | -                          | -         | EVENTOUT |

Table 23. Alternate function AF8 to AF15<sup>(1)</sup> (continued)

| Port   | AF8                    | AF9             | AF10         | AF11  | AF12                      | AF13            | AF14                   | AF15       |          |
|--------|------------------------|-----------------|--------------|-------|---------------------------|-----------------|------------------------|------------|----------|
|        | UART4/5/LPUART1/SDMMC1 | FDCAN1/TSC      | USB/OCTOSPI1 | UCPD1 | SDMMC1/COMP1/2/TIM1/8/FMC | SAI1/2/TIM8     | TIM2/8/15/16/17/LPTIM2 | EVENTOUT   |          |
| Port G | PG0                    | -               | TSC_G8_IO3   | -     | -                         | FMC_A10         | -                      | -          | EVENTOUT |
|        | PG1                    | -               | TSC_G8_IO4   | -     | -                         | FMC_A11         | -                      | -          | EVENTOUT |
|        | PG2                    | -               | -            | -     | -                         | FMC_A12         | SAI2_SCK_B             | -          | EVENTOUT |
|        | PG3                    | -               | -            | -     | -                         | FMC_A13         | SAI2_FS_B              | -          | EVENTOUT |
|        | PG4                    | -               | -            | -     | -                         | FMC_A14         | SAI2_MCLK_B            | -          | EVENTOUT |
|        | PG5                    | LPUART1_CTS_NSS | -            | -     | -                         | FMC_A15         | SAI2_SD_B              | -          | EVENTOUT |
|        | PG6                    | LPUART1_RTS_DE  | -            | -     | UCPD1_FRSTX1              | -               | -                      | -          | EVENTOUT |
|        | PG7                    | LPUART1_TX      | -            | -     | UCPD1_FRSTX2              | FMC_INT         | SAI1_MCLK_A            | -          | EVENTOUT |
|        | PG8                    | LPUART1_RX      | -            | -     | -                         | -               | -                      | -          | EVENTOUT |
|        | PG9                    | -               | -            | -     | -                         | FMC_NCE/FMC_NE2 | SAI2_SCK_A             | TIM15_CH1N | EVENTOUT |
|        | PG10                   | -               | -            | -     | -                         | FMC_NE3         | SAI2_FS_A              | TIM15_CH1  | EVENTOUT |
|        | PG11                   | -               | -            | -     | -                         | -               | SAI2_MCLK_A            | TIM15_CH2  | EVENTOUT |
|        | PG12                   | -               | -            | -     | -                         | FMC_NE4         | SAI2_SD_A              | -          | EVENTOUT |
|        | PG13                   | -               | -            | -     | -                         | FMC_A24         | -                      | -          | EVENTOUT |
|        | PG14                   | -               | -            | -     | -                         | FMC_A25         | -                      | -          | EVENTOUT |
|        | PG15                   | -               | -            | -     | -                         | -               | -                      | -          | EVENTOUT |



Table 23. Alternate function AF8 to AF15<sup>(1)</sup> (continued)

| Port   |     | AF8                    | AF9        | AF10         | AF11  | AF12                      | AF13        | AF14                   | AF15     |
|--------|-----|------------------------|------------|--------------|-------|---------------------------|-------------|------------------------|----------|
|        |     | UART4/5/LPUART1/SDMMC1 | FDCAN1/TSC | USB/OCTOSPI1 | UCPD1 | SDMMC1/COMP1/2/TIM1/8/FMC | SAI1/2/TIM8 | TIM2/8/15/16/17/LPTIM2 | EVENTOUT |
| Port H | PH0 | -                      | -          | -            | -     | -                         | -           | -                      | EVENTOUT |
|        | PH1 | -                      | -          | -            | -     | -                         | -           | -                      | EVENTOUT |
|        | PH3 | -                      | -          | -            | -     | -                         | -           | -                      | EVENTOUT |

1. Refer to [Table 22](#) for AF0 to AF7.

## 5 Electrical characteristics

### 5.1 Parameter conditions

Unless otherwise specified, all voltages are referenced to  $V_{SS}$ .

#### 5.1.1 Minimum and maximum values

Unless otherwise specified, the minimum and maximum values are guaranteed in the worst conditions of ambient temperature, supply voltage and frequencies by tests in production on 100% of the devices with an ambient temperature at  $T_A = 25\text{ °C}$  and  $T_A = T_{Amax}$  (given by the selected temperature range).

Data based on characterization results, design simulation and/or technology characteristics are indicated in the table footnotes and are not tested in production. Based on characterization, the minimum and maximum values refer to sample tests and represent the mean value plus or minus three times the standard deviation (mean  $\pm 3\sigma$ ).

#### 5.1.2 Typical values

Unless otherwise specified, typical data are based on  $T_A = 25\text{ °C}$ ,  $V_{DD} = V_{DDA} = 3\text{ V}$ . They are given only as design guidelines and are not tested.

Typical ADC accuracy values are determined by characterization of a batch of samples from a standard diffusion lot over the full temperature range, where 95% of the devices have an error less than or equal to the value indicated (mean  $\pm 2\sigma$ ).

#### 5.1.3 Typical curves

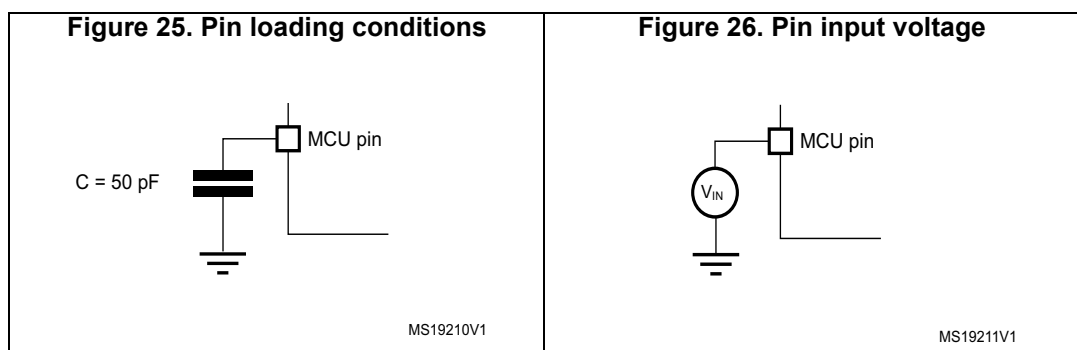
Unless otherwise specified, all typical curves are given only as design guidelines and are not tested.

#### 5.1.4 Loading capacitor

The loading conditions used for pin parameter measurement are shown in [Figure 25](#).

#### 5.1.5 Pin input voltage

The input voltage measurement on a pin of the device is described in [Figure 26](#).



5.1.6 Power supply scheme

Figure 27. STM32L552xx and STM32L562xx power supply overview

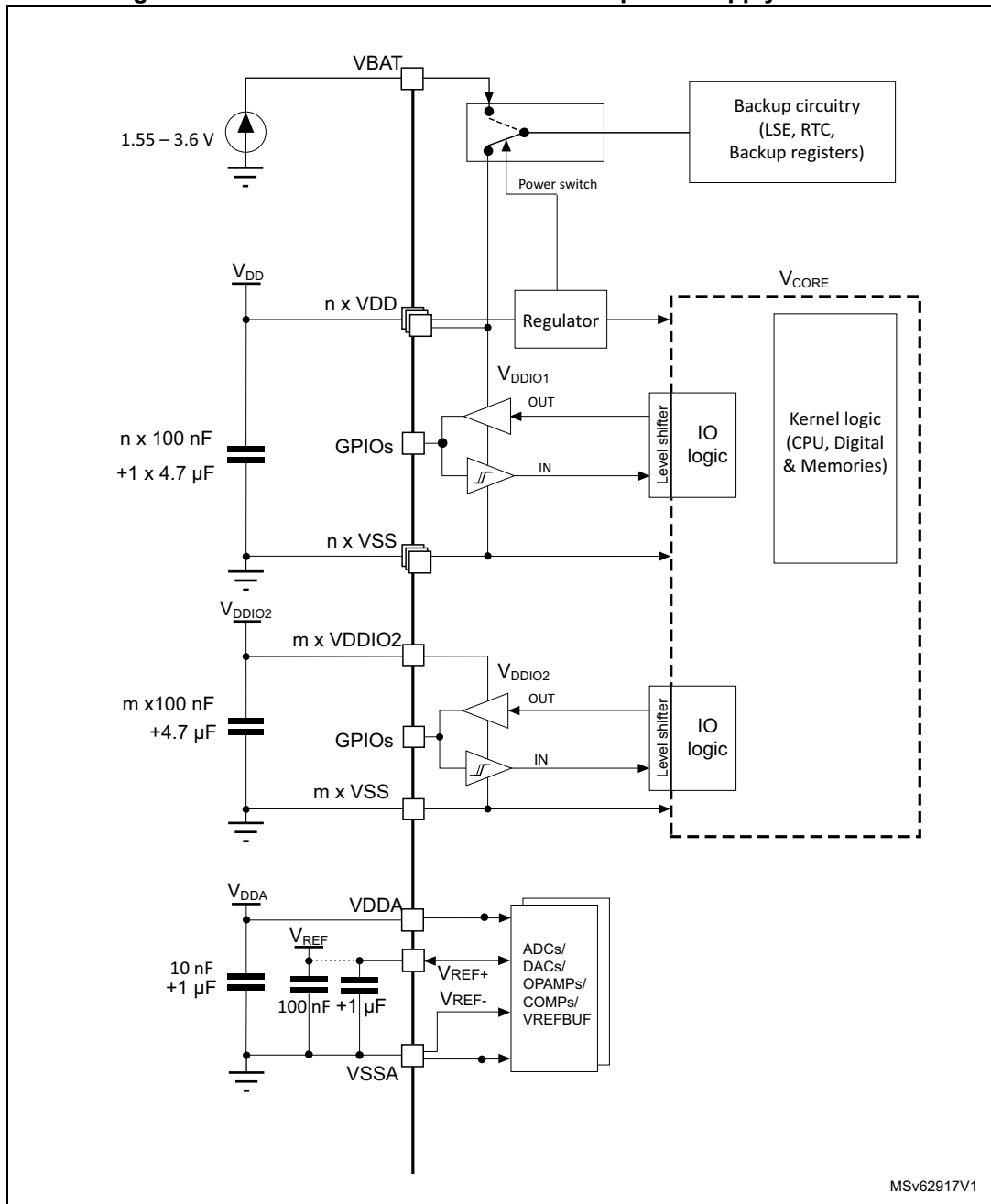
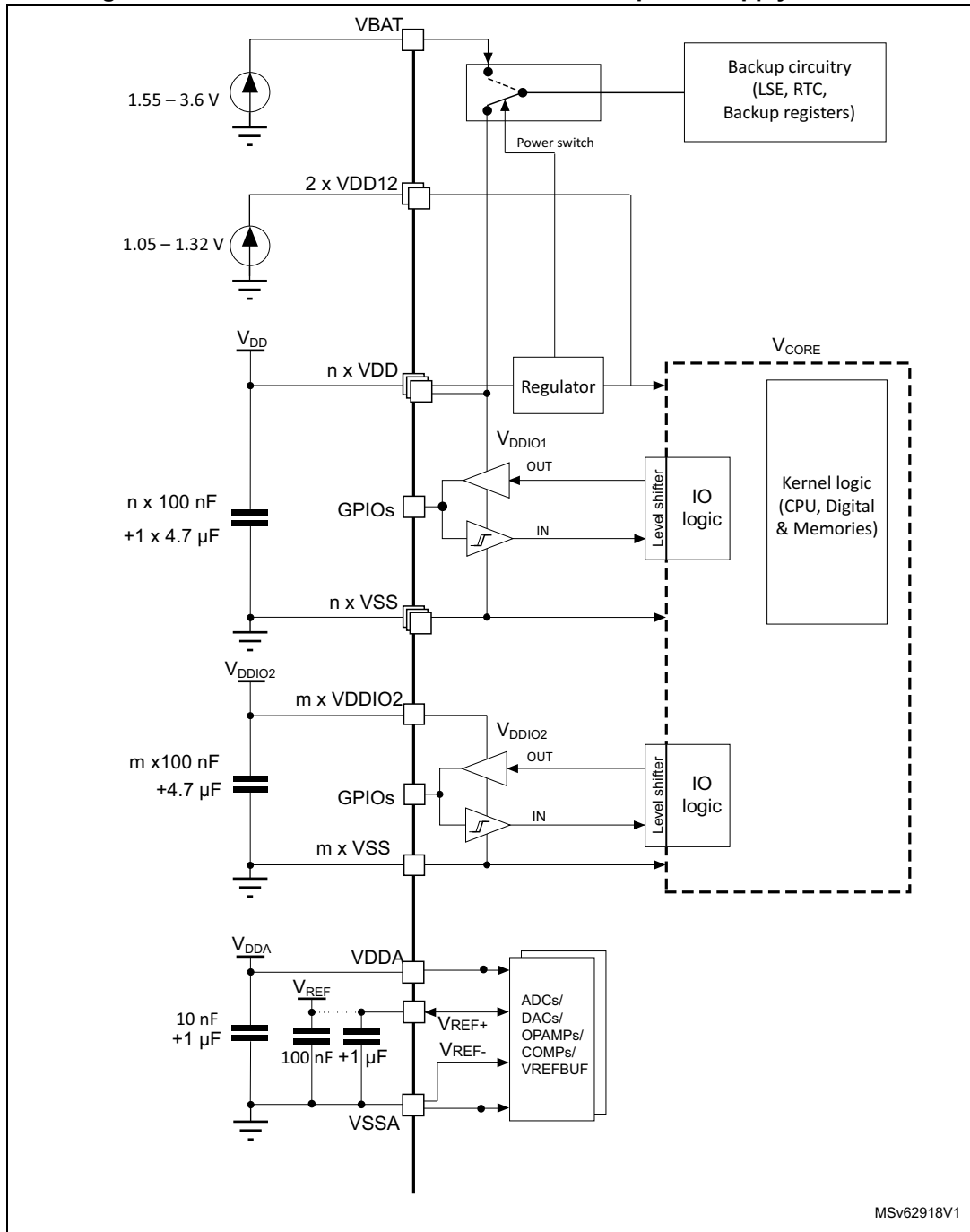




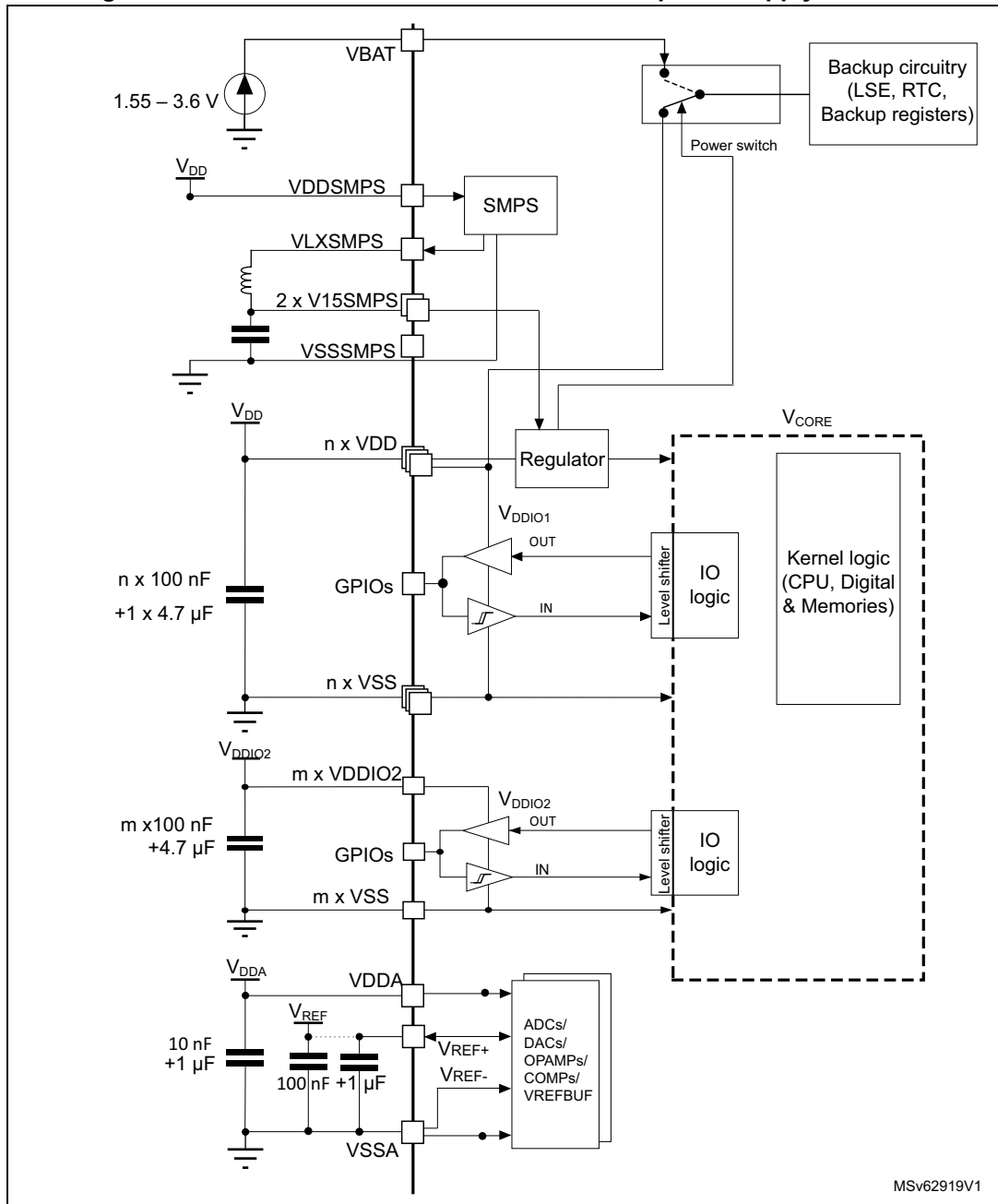
Figure 28. STM32L552xxxP and STM32L562xxxP power supply overview



MSv62918V1

Note: If the selected package has the external SMPS option but no external SMPS is used by the application (the embedded LDO is used instead), the VDD12 pins are kept unconnected.

Figure 29. STM32L552xxxQ and STM32L562xxxQ power supply overview



1. Refer to [Figure 3](#) for SMPS step down converter power supply scheme.

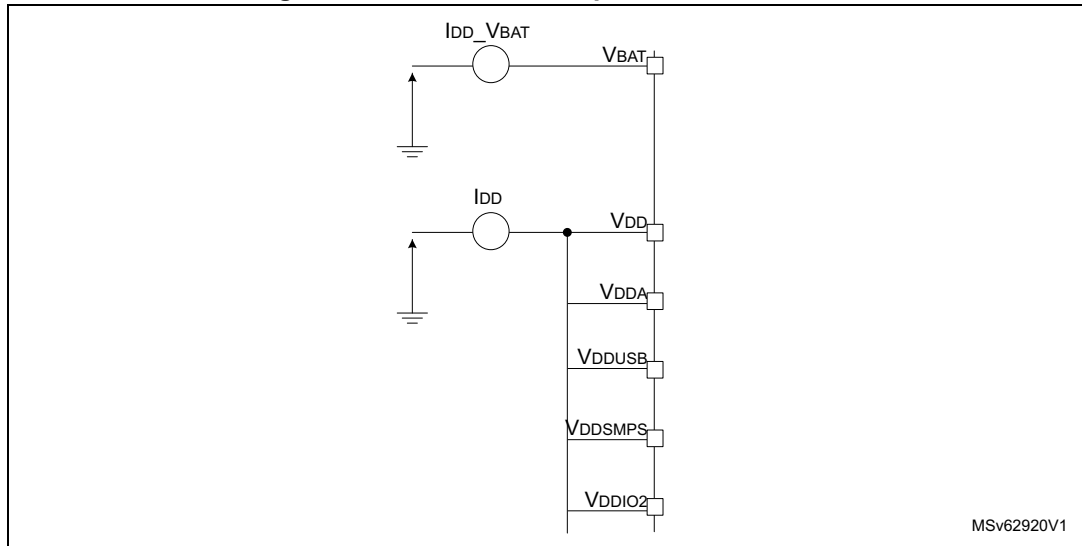
**Note:** If the selected package has the SMPS step down converter option but the application does not ever use the SMPS, it is recommended to set the SMPS power supply pins as follows:  
 VDDSMPS and VLXSMPS connected to VSS  
 V15SMPS connected to VDD.

**Caution:** Each power supply pair ( $V_{DD}/V_{SS}$ ,  $V_{DDA}/V_{SSA}$  etc.) must be decoupled with filtering ceramic capacitors as shown above. These capacitors must be placed as close as possible to, or below, the appropriate pins on the underside of the PCB to ensure the good functionality of the device.

### 5.1.7 Current consumption measurement

The  $I_{DD\_ALL}$  parameters given in [Table 33](#) to [Table 96](#) represent the total MCU consumption including the current supplying  $V_{DD}$ ,  $V_{DDIO2}$ ,  $V_{DDA}$ ,  $V_{DDUSB}$ ,  $V_{BAT}$  and  $V_{DDSMPS}$  if the device embeds the SMPS.

Figure 30. Current consumption measurement



## 5.2 Absolute maximum ratings

Stresses above the absolute maximum ratings listed in [Table 24: Voltage characteristics](#), [Table 25: Current characteristics](#) and [Table 26: Thermal characteristics](#) may cause permanent damage to the device. These are stress ratings only and functional operation of the device at these conditions is not implied. Exposure to maximum rating conditions for extended periods may affect device reliability. Device mission profile (application conditions) is compliant with JEDEC JESD47 qualification standard, extended mission profiles are available on demand.

Table 24. Voltage characteristics<sup>(1)</sup>

| Symbol              | Ratings  | Min                 | Max  | Unit |     |
|---------------------|--|---------------------|--|------|-----|
| $V_{DDX} - V_{SS}$  | External main supply voltage (including $V_{DD}$ , $V_{DDA}$ , $V_{DDIO2}$ , $V_{DDUSB}$ , $V_{BAT}$ , $V_{DDSMPS}$ , $V_{REF+}$ ) | -0.3                | 4.0  | V    |     |
| $V_{DD12} - V_{SS}$ | External SMPS supply voltage   | All ranges<br>0/1/2 | -0.3<br>-0.3   |      | 1.4 |
| $V_{IN}^{(2)}$      | Input voltage on FT_xxx pins except FT_c pins  | $V_{SS}-0.3$        | $\min(V_{DD}, V_{DDA}, V_{DDIO2}, V_{DDUSB}, V_{DDSMPS}) + 4.0^{(3)(4)}$ |      |     |
|                     | Input voltage on FT_c pins   | $V_{SS}-0.3$        | 5.5  |      |     |
|                     | Input voltage on any other pins  | $V_{SS}-0.3$        | 4.0  |      |     |

**Table 24. Voltage characteristics<sup>(1)</sup> (continued)**

| Symbol               | Ratings  | Min | Max | Unit |
|----------------------|--|-----|-----|------|
| $V_{REF+} - V_{DDA}$ | Allowed voltage difference for $V_{REF+} > V_{DDA}$                  | -   | 0.4 | V    |
| $ \Delta V_{DDx} $   | Variations between different $V_{DDx}$ power pins of the same domain | -   | 50  | mV   |
| $ V_{SSx} - V_{SS} $ | Variations between all the different ground pins <sup>(5)</sup>      | -   | 50  |      |

1. All main power ( $V_{DD}$ ,  $V_{DDA}$ ,  $V_{DDIO2}$ ,  $V_{DDUSB}$ ,  $V_{BAT}$ ) and ground ( $V_{SS}$ ,  $V_{SSA}$ ) pins must always be connected to the external power supply, in the permitted range.
2.  $V_{IN}$  maximum must always be respected. Refer to [Table 25: Current characteristics](#) for the maximum allowed injected current values.
3. This formula has to be applied only on the power supplies related to the IO structure described in the pin definition table.
4. To sustain a voltage higher than 4 V the internal pull-up/pull-down resistors must be disabled.
5. Include VREF- pin.

**Table 25. Current characteristics**

| Symbol                  | Ratings   | Max                  | Unit |
|-------------------------|---|----------------------|------|
| $\Sigma I_{V_{DD}}$     | Total current into sum of all $V_{DD}$ power lines (source) <sup>(1) (2)</sup>  | 160                  | mA   |
| $\Sigma I_{V_{SS}}$     | Total current out of sum of all $V_{SS}$ ground lines (sink) <sup>(1) (2)</sup> | 160                  |      |
| $I_{V_{DD}(PIN)}$       | Maximum current into each $V_{DD}$ power pin (source) <sup>(1)</sup>            | 100                  |      |
| $I_{V_{SS}(PIN)}$       | Maximum current out of each $V_{SS}$ ground pin (sink) <sup>(1)</sup>           | 100                  |      |
| $I_{IO(PIN)}$           | Output current sunk by any I/O and control pin except FT_f                      | 20                   |      |
|                         | Output current sunk by any FT_f pin   | 20                   |      |
|                         | Output current sourced by any I/O and control pin                               | 20                   |      |
| $\Sigma I_{IO(PIN)}$    | Total output current sunk by sum of all I/Os and control pins <sup>(3)</sup>    | 100                  |      |
|                         | Total output current sourced by sum of all I/Os and control pins <sup>(3)</sup> | 100                  |      |
| $I_{INJ(PIN)}^{(4)}$    | Injected current on FT_xxx, TT_xx, RST and B pins, except PA4, PA5              | -5/+0 <sup>(5)</sup> |      |
|                         | Injected current on PA4, PA5  | -5/0                 |      |
| $\Sigma  I_{INJ(PIN)} $ | Total injected current (sum of all I/Os and control pins) <sup>(6)</sup>        | +/-25                |      |

1. All main power ( $V_{DD}$ ,  $V_{DDA}$ ,  $V_{DDIO2}$ ,  $V_{DDUSB}$ ,  $V_{BAT}$ ) and ground ( $V_{SS}$ ,  $V_{SSA}$ ) pins must always be connected to the external power supplies, in the permitted range.
2. Valid also for  $V_{DD12}$  on SMPS package.
3. This current consumption must be correctly distributed over all I/Os and control pins. The total output current must not be sunk/sourced between two consecutive power supply pins referring to high pin count QFP packages.
4. Positive injection (when  $V_{IN} > V_{DDIOx}$ ) is not possible on these I/Os and does not occur for input voltages lower than the specified maximum value.
5. A negative injection is induced by  $V_{IN} < V_{SS}$ .  $I_{INJ(PIN)}$  must never be exceeded. Refer also to [Table 24: Voltage characteristics](#) for the minimum allowed input voltage values.
6. When several inputs are submitted to a current injection, the maximum  $\Sigma |I_{INJ(PIN)}|$  is the absolute sum of the negative injected currents (instantaneous values).

Table 26. Thermal characteristics

| Symbol    | Ratings                      | Value       | Unit |
|-----------|------------------------------|-------------|------|
| $T_{STG}$ | Storage temperature range    | -65 to +150 | °C   |
| $T_J$     | Maximum junction temperature | 150         | °C   |

## 5.3 Operating conditions

### 5.3.1 General operating conditions

Table 27. General operating conditions

| Symbol       | Parameter  | Conditions                              | Min         | Max  | Unit |
|--------------|--|---|-------------|------|------|
| $f_{HCLK}$   | Internal AHB clock frequency                             | -                                       | 0           | 110  | MHz  |
| $f_{PCLK1}$  | Internal APB1 clock frequency                            | -                                       | 0           | 110  |      |
| $f_{PCLK2}$  | Internal APB2 clock frequency                            | -                                       | 0           | 110  |      |
| $V_{DD}$     | Standard operating voltage                               | -                                       | 1.71<br>(1) | 3.6  | V    |
| $V_{DDSMPS}$ | Supply voltage for the internal SMPS step-down converter | $V_{DDSMPS} = V_{DD}$                   | 1.71<br>(1) | 3.6  | V    |
| $V_{DD12}$   | Standard operating voltage                               | Up to 110 MHz                           | 1.14        | 1.32 | V    |
|              |  | Up to 80 MHz                            | 1.08        | 1.32 |      |
|              |  | Up to 26 MHz                            | 1.05<br>(2) | 1.32 |      |
| $V_{DDIO2}$  | PG[15:2] I/Os supply voltage                             | At least one I/O in PG[15:2] used       | 1.08        | 3.6  | V    |
|              |  | PG[15:2] not used                       | 0           | 3.6  |      |
| $V_{DDA}$    | Analog supply voltage                                    | ADC or COMP used                        | 1.62        | 3.6  | V    |
|              |  | DAC or OPAMP used                       | 1.8         |      |      |
|              |  | VREFBUF used                            | 2.4         |      |      |
|              |  | ADC, DAC, OPAMP, COMP, VREFBUF not used | 0           |      |      |

Table 27. General operating conditions (continued)

| Symbol             | Parameter  | Conditions                    | Min   | Max   | Unit |
|--------------------|--|-------------------------------|---|---|------|
| V <sub>BAT</sub>   | Backup operating voltage   | -                             | 1.55  | 3.6   | V    |
| V <sub>DDUSB</sub> | USB supply voltage   | USB used                      | 3.0   | 3.6   | V    |
|                    |  | USB not used                  | 0   | 3.6   |      |
| V <sub>IN</sub>    | I/O input voltage  | TT_xx I/O                     | -0.3  | V <sub>DDIOx</sub> +0.3   | V    |
|                    |  | FT_c I/O                      | -0.3  | 5   |      |
|                    |  | All I/O except FT_c and TT_xx | -0.3  | MIN(MIN(V <sub>DD</sub> , V <sub>DDA</sub> , V <sub>DDIO2</sub> , V <sub>DDUSB</sub> ) +3.6 V, 5.5 V) <sup>(3)(4)</sup> |      |
| P <sub>D</sub>     | Power dissipation at T <sub>A</sub> = 85 °C for suffix 6 <sup>(5)</sup>  | LQFP48                        | See <a href="#">Section 6.8: Thermal characteristics</a> for application appropriate thermal resistance and package. Power dissipation is then calculated according ambient temperature (T <sub>A</sub> ) and maximum junction temperature (T <sub>J</sub> ) and selected thermal resistance. |   | mW   |
|                    |  | UFQFPN48                      |   |   |      |
|                    |  | LQFP64                        |   |   |      |
|                    |  | WLCSP81                       |   |   |      |
|                    |  | LQFP100                       |   |   |      |
|                    |  | UFBGA132                      |   |   |      |
|                    |  | LQFP144                       |   |   |      |
| P <sub>D</sub>     | Power dissipation at T <sub>A</sub> = 125 °C for suffix 3 <sup>(5)</sup> | LQFP48                        | See <a href="#">Section 6.8: Thermal characteristics</a> for application appropriate thermal resistance and package. Power dissipation is then calculated according ambient temperature (T <sub>A</sub> ) and maximum junction temperature (T <sub>J</sub> ) and selected thermal resistance. |   | mW   |
|                    |  | UFQFPN48                      |   |   |      |
|                    |  | LQFP64                        |   |   |      |
|                    |  | WLCSP81                       |   |   |      |
|                    |  | LQFP100                       |   |   |      |
|                    |  | UFBGA132                      |   |   |      |
|                    |  | LQFP144                       |   |   |      |

Table 27. General operating conditions (continued)

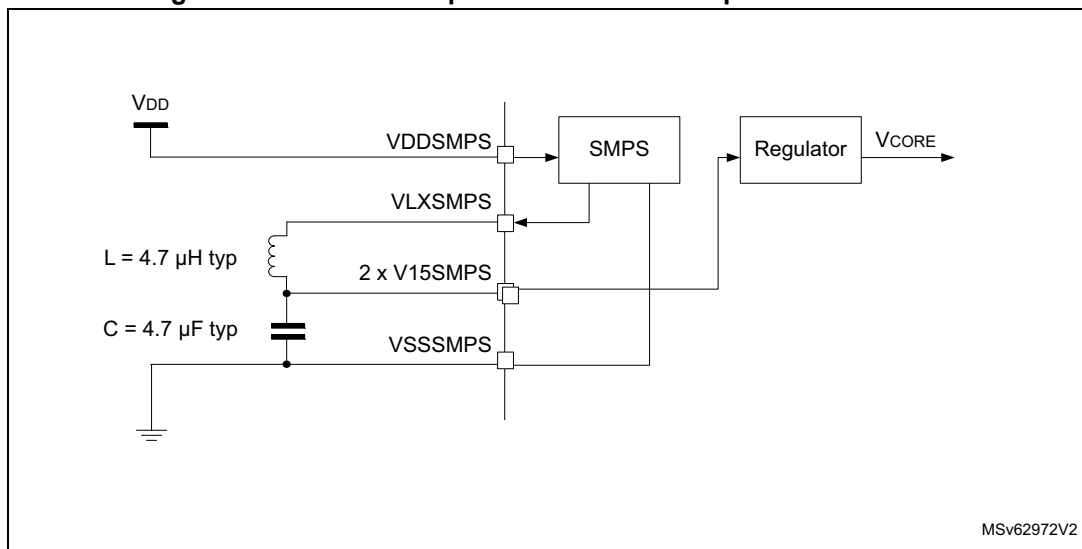
| Symbol         | Parameter                                    | Conditions                           | Min | Max | Unit |
|----------------|--|--------------------------------------|-----|-----|------|
| T <sub>A</sub> | Ambient temperature for the suffix 6 version | Maximum power dissipation            | -40 | 85  | °C   |
|                |  | Low-power dissipation <sup>(6)</sup> | -40 | 105 |      |
|                | Ambient temperature for the suffix 3 version | Maximum power dissipation            | -40 | 125 |      |
|                |  | Low-power dissipation <sup>(6)</sup> | -40 | 130 |      |
| T <sub>J</sub> | Junction temperature range                   | Suffix 6 version                     | -40 | 105 | °C   |
|                |  | Suffix 3 version                     | -40 | 130 |      |

1. When RESET is released functionality is guaranteed down to V<sub>BOR0</sub> Min.
2. For Flash erase and program operation, V<sub>DD12</sub> min must be 1.08 V.
3. This formula has to be applied only on the power supplies related to the IO structure described by the pin definition table. Maximum I/O input voltage is the smallest value between MIN(V<sub>DD</sub>, V<sub>DDA</sub>, V<sub>DDIO2</sub>, V<sub>DDUSB</sub>)+3.6 V and 5.5V.
4. For operation with voltage higher than Min (V<sub>DD</sub>, V<sub>DDA</sub>, V<sub>DDIO2</sub>, V<sub>DDUSB</sub>) +0.3 V, the internal Pull-up and Pull-Down resistors must be disabled.
5. If T<sub>A</sub> is lower, higher P<sub>D</sub> values are allowed as long as T<sub>J</sub> does not exceed T<sub>Jmax</sub> (see [Section 7.7: Thermal characteristics](#)).
6. In low-power dissipation state, T<sub>A</sub> can be extended to this range as long as T<sub>J</sub> does not exceed T<sub>Jmax</sub> (see [Section 7.7: Thermal characteristics](#)).

### 5.3.2 SMPS step-down converter

The device embeds an SMPS step down converter which requires the external components shown in below figure.

Figure 31. External components for SMPS step down converter



The following table summarizes the SMPS behavior depending on the main regulator range, VDD and consumption.

**Table 28. SMPS modes summary**

| Ranges  | Max AHB clock | V <sub>CORE</sub> | SMPS mode  |  |
|---------|---------------|-------------------|--|--|
|         |               |                   | V <sub>DD</sub> ≤ 2.05 V   | V <sub>DD</sub> > 2.05 V   |
| Range 0 | 110 MHz       | 1.28 V            | Automatic Bypass mode<br>V <sub>15SMPS</sub> = V <sub>DD</sub>               | HP mode<br>Max current consumption = 120 mA<br>V <sub>15SMPS</sub> = 1.6 V           |
| Range 1 | 80 MHz        | 1.2 V             | Automatic Bypass mode<br>V <sub>15SMPS</sub> = V <sub>DD</sub>               | HP mode<br>Max current consumption = 80 mA<br>V <sub>15SMPS</sub> = 1.5 V            |
| Range 2 | 26 MHz        | 1.0 V             | Software Bypass mode <sup>(1)</sup><br>V <sub>15SMPS</sub> = V <sub>DD</sub> | LP mode or HP mode<br>Max current consumption = 30 mA<br>V <sub>15SMPS</sub> = 1.3 V |

1. There is no automatic SMPS bypass in Range 2. The user application should use PVD0 to monitor V<sub>DD</sub> supply and request the SMPS Bypass mode.

**Table 29. SMPS characteristics<sup>(1)</sup>**

| Symbol  | Parameter             | Conditions                             | Min                 | Typ | Max  | Unit |
|---------|-----------------------|--|---------------------|-----|------|------|
| VDDSMPS | SMPS power supply     |  | 1.71 <sup>(2)</sup> |     | 3.6  | V    |
| V15SMPS | SMPS output voltage   | Range 0                                | 1.55                | 1.6 | 1.65 | V    |
|         |                       | Range 1                                | 1.45                | 1.5 | 1.55 |      |
|         |                       | Range 2                                | 1.25                | 1.3 | 1.35 |      |
| SR      | SMPS output slew rate | Fast startup disabled<br>SMPSFSTEN = 0 | -                   | 600 | -    | µs/V |
|         |                       | Fast startup enabled<br>SMPSFSTEN = 1  | -                   | 120 | -    |      |

1. Guaranteed by design.
2. When VDDSMPS is less than 2.05V, the SMPS bypass mode is forced by hardware in Range 0 and Range 1. In Range 2, there is no automatic switch into SMPS bypass mode. It should be requested by software. Refer to [Table 28: SMPS modes summary](#).



### 5.3.3 Operating conditions at power-up / power-down

The parameters given in [Table 30](#) are derived from tests performed under the ambient temperature condition summarized in [Table 27](#).

**Table 30. Operating conditions at power-up / power-down<sup>(1)</sup>**

| Symbol       | Parameter                  | Conditions | Min | Max      | Unit            |
|--------------|----------------------------|------------|-----|----------|-----------------|
| $t_{VDD}$    | $V_{DD}$ rise time rate    | -          | 0   | $\infty$ | $\mu\text{s/V}$ |
|              | $V_{DD}$ fall time rate    |            | 10  | $\infty$ |                 |
| $t_{VDDA}$   | $V_{DDA}$ rise time rate   | -          | 0   | $\infty$ |                 |
|              | $V_{DDA}$ fall time rate   |            | 10  | $\infty$ |                 |
| $t_{VDDUSB}$ | $V_{DDUSB}$ rise time rate | -          | 0   | $\infty$ |                 |
|              | $V_{DDUSB}$ fall time rate |            | 10  | $\infty$ |                 |
| $t_{VDDIO2}$ | $V_{DDIO2}$ rise time rate | -          | 0   | $\infty$ |                 |
|              | $V_{DDIO2}$ fall time rate |            | 10  | $\infty$ |                 |

1. At power-up, the  $V_{DD12}$  voltage should not be forced externally.

### 5.3.4 Embedded reset and power control block characteristics

The parameters given in [Table 31](#) are derived from tests performed under the ambient temperature conditions summarized in [Table 27: General operating conditions](#).

**Table 31. Embedded reset and power control block characteristics**

| Symbol               | Parameter                                  | Conditions <sup>(1)</sup> | Min  | Typ  | Max  | Unit          |
|----------------------|--|---------------------------|------|------|------|---------------|
| $t_{RSTTEMPO}^{(2)}$ | Reset temporization after BOR0 is detected | $V_{DD}$ rising           | -    | 250  | 400  | $\mu\text{s}$ |
| $V_{BOR0}^{(2)}$     | Brown-out reset threshold 0                | Rising edge               | 1.62 | 1.66 | 1.7  | V             |
|                      |  | Falling edge              | 1.6  | 1.64 | 1.69 |               |
| $V_{BOR1}$           | Brown-out reset threshold 1                | Rising edge               | 2.06 | 2.1  | 2.14 | V             |
|                      |  | Falling edge              | 1.96 | 2    | 2.04 |               |
| $V_{BOR2}$           | Brown-out reset threshold 2                | Rising edge               | 2.26 | 2.31 | 2.35 | V             |
|                      |  | Falling edge              | 2.16 | 2.20 | 2.24 |               |
| $V_{BOR3}$           | Brown-out reset threshold 3                | Rising edge               | 2.56 | 2.61 | 2.66 | V             |
|                      |  | Falling edge              | 2.47 | 2.52 | 2.57 |               |
| $V_{BOR4}$           | Brown-out reset threshold 4                | Rising edge               | 2.85 | 2.90 | 2.95 | V             |
|                      |  | Falling edge              | 2.76 | 2.81 | 2.86 |               |
| $V_{PVD0}$           | Programmable voltage detector threshold 0  | Rising edge               | 2.1  | 2.15 | 2.19 | V             |
|                      |  | Falling edge              | 2    | 2.05 | 2.1  |               |
| $V_{PVD1}$           | PVD threshold 1                            | Rising edge               | 2.26 | 2.31 | 2.36 | V             |
|                      |  | Falling edge              | 2.15 | 2.20 | 2.25 |               |

Table 31. Embedded reset and power control block characteristics (continued)

| Symbol                                     | Parameter   | Conditions <sup>(1)</sup>     | Min  | Typ  | Max  | Unit |
|--|---|-------------------------------|------|------|------|------|
| V <sub>PVD2</sub>                          | PVD threshold 2   | Rising edge                   | 2.41 | 2.46 | 2.51 | V    |
|  |   | Falling edge                  | 2.31 | 2.36 | 2.41 |      |
| V <sub>PVD3</sub>                          | PVD threshold 3   | Rising edge                   | 2.56 | 2.61 | 2.66 | V    |
|  |   | Falling edge                  | 2.47 | 2.52 | 2.57 |      |
| V <sub>PVD4</sub>                          | PVD threshold 4   | Rising edge                   | 2.69 | 2.74 | 2.79 | V    |
|  |   | Falling edge                  | 2.59 | 2.64 | 2.69 |      |
| V <sub>PVD5</sub>                          | PVD threshold 5   | Rising edge                   | 2.85 | 2.91 | 2.96 | V    |
|  |   | Falling edge                  | 2.75 | 2.81 | 2.86 |      |
| V <sub>PVD6</sub>                          | PVD threshold 6   | Rising edge                   | 2.92 | 2.98 | 3.04 | V    |
|  |   | Falling edge                  | 2.84 | 2.90 | 2.96 |      |
| V <sub>hyst_BORH0</sub>                    | Hysteresis voltage of BORH0   | Hysteresis in continuous mode | -    | 20   | -    | mV   |
|  |   | Hysteresis in other mode      | -    | 30   | -    |      |
| V <sub>hyst_BOR_PVD</sub>                  | Hysteresis voltage of BORH (except BORH0) and PVD                         | -                             | -    | 100  | -    | mV   |
| I <sub>DD</sub> (BOR_PVD) <sup>(2)</sup>   | BOR <sup>(3)</sup> (except BOR0) and PVD consumption from V <sub>DD</sub> | -                             | -    | 1.1  | 1.6  | μA   |
| V <sub>PVM3</sub>                          | V <sub>DDA</sub> peripheral voltage monitoring                            | Rising edge                   | 1.61 | 1.65 | 1.69 | V    |
|  |   | Falling edge                  | 1.6  | 1.64 | 1.68 |      |
| V <sub>PVM4</sub>                          | V <sub>DDA</sub> peripheral voltage monitoring                            | Rising edge                   | 1.78 | 1.82 | 1.86 | V    |
|  |   | Falling edge                  | 1.77 | 1.81 | 1.85 |      |
| V <sub>hyst_PVM3</sub>                     | PVM3 hysteresis   | -                             | -    | 10   | -    | mV   |
| V <sub>hyst_PVM4</sub>                     | PVM4 hysteresis   | -                             | -    | 10   | -    | mV   |
| I <sub>DD</sub> (PVM1/PVM2) <sup>(2)</sup> | PVM1 and PVM2 consumption from V <sub>DD</sub>                            | -                             | -    | 0.2  | -    | μA   |
| I <sub>DD</sub> (PVM3/PVM4) <sup>(2)</sup> | PVM3 and PVM4 consumption from V <sub>DD</sub>                            | -                             | -    | 2    | -    | μA   |

1. Continuous mode means Run/Sleep modes, or temperature sensor enable in Low-power run/Low-power sleep modes.
2. Guaranteed by design.
3. BOR0 is enabled in all modes (except shutdown) and its consumption is therefore included in the supply current characteristics tables.

### 5.3.5 Embedded voltage reference

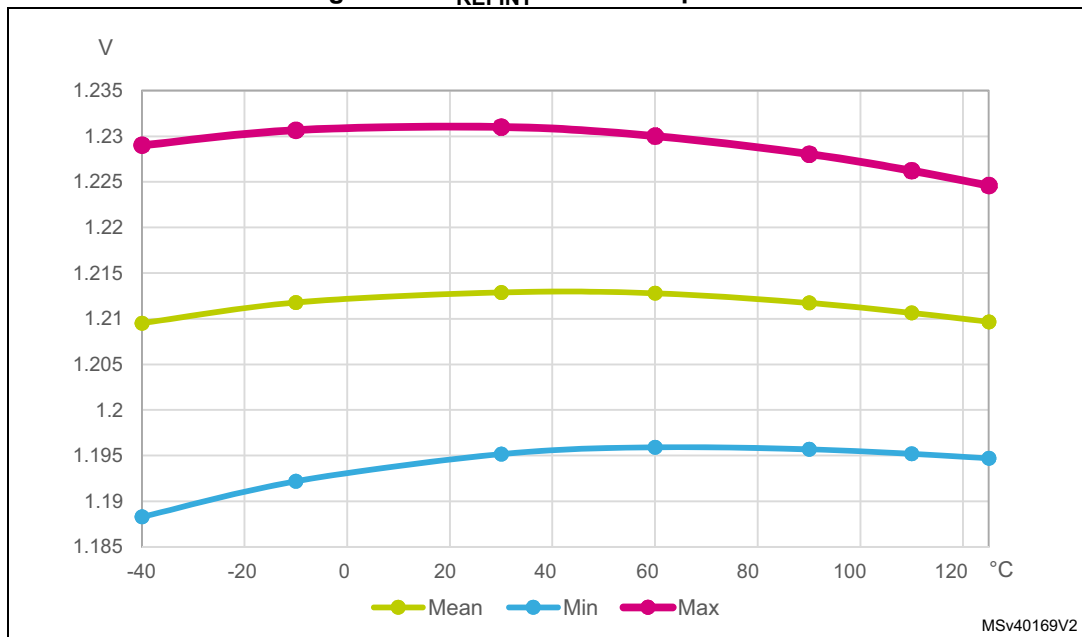
The parameters given in [Table 32](#) are derived from tests performed under the ambient temperature and supply voltage conditions summarized in [Table 27: General operating conditions](#).

**Table 32. Embedded internal voltage reference**

| Symbol                  | Parameter   | Conditions                             | Min              | Typ   | Max                 | Unit              |
|-------------------------|---|--|------------------|-------|---------------------|-------------------|
| $V_{REFINT}$            | Internal reference voltage  | $-40\text{ °C} < T_A < +130\text{ °C}$ | 1.182            | 1.212 | 1.232               | V                 |
| $t_{S\_vrefint}^{(1)}$  | ADC sampling time when reading the internal reference voltage       | -                                      | 4 <sup>(2)</sup> | -     | -                   | μs                |
| $t_{start\_vrefint}$    | Start time of reference voltage buffer when ADC is enable           | -                                      | -                | 8     | 12 <sup>(2)</sup>   | μs                |
| $I_{DD}(V_{REFINTBUF})$ | $V_{REFINT}$ buffer consumption from $V_{DD}$ when converted by ADC | -                                      | -                | 12.5  | 20 <sup>(2)</sup>   | μA                |
| $\Delta V_{REFINT}$     | Internal reference voltage spread over the temperature range        | $V_{DD} = 3\text{ V}$                  | -                | 5     | 7.5 <sup>(2)</sup>  | mV                |
| $T_{Coeff}$             | Average temperature coefficient                                     | $-40\text{ °C} < T_A < +130\text{ °C}$ | -                | 30    | 50 <sup>(2)</sup>   | ppm/°C            |
| $A_{Coeff}$             | Long term stability   | 1000 hours, $T = 25\text{ °C}$         | -                | 300   | 1000 <sup>(2)</sup> | ppm               |
| $V_{DDCoeff}$           | Average voltage coefficient   | $3.0\text{ V} < V_{DD} < 3.6\text{ V}$ | -                | 250   | 1200 <sup>(2)</sup> | ppm/V             |
| $V_{REFINT\_DIV1}$      | 1/4 reference voltage   | -                                      | 24               | 25    | 26                  | %<br>$V_{REFINT}$ |
| $V_{REFINT\_DIV2}$      | 1/2 reference voltage   |  | 49               | 50    | 51                  |                   |
| $V_{REFINT\_DIV3}$      | 3/4 reference voltage   |  | 74               | 75    | 76                  |                   |

1. The shortest sampling time can be determined in the application by multiple iterations.
2. Guaranteed by design.

Figure 32.  $V_{REFINT}$  versus temperature



### 5.3.6 Supply current characteristics

The current consumption is a function of several parameters and factors such as the operating voltage, ambient temperature, I/O pin loading, device software configuration, operating frequencies, I/O pin switching rate, program location in memory and executed binary code

The current consumption is measured as described in [Section 5.1.7: Current consumption measurement](#).

#### Typical and maximum current consumption

The MCU is placed under the following conditions:

- All I/O pins are in analog input mode
- All peripherals are disabled except when explicitly mentioned
- The Flash memory access time is adjusted with the minimum wait states number, depending on the  $f_{HCLK}$  frequency (refer to the table “Number of wait states according to CPU clock (HCLK) frequency” available in the RM0438 reference manual).
- When the peripherals are enabled  $f_{PCLK} = f_{HCLK}$
- The voltage scaling range is adjusted to  $f_{HCLK}$  frequency as follows:
  - Voltage Range 0 for  $80 \text{ MHz} < f_{HCLK} \leq 110 \text{ MHz}$
  - Voltage Range 1 for  $26 \text{ MHz} < f_{HCLK} \leq 80 \text{ MHz}$
  - Voltage Range 2 for  $f_{HCLK} \leq 26 \text{ MHz}$

The parameters given in [Table 33](#) to [Table 81](#) are derived from tests performed under ambient temperature and supply voltage conditions summarized in [Table 27: General operating conditions](#).



**Table 33. Current consumption in Run and Low-power run modes, code with data processing running from Flash in single Bank, ICACHE ON in 2-way**

| Symbol         | Parameter                            | Conditions   |                 |         | TYP   |       |      |       |       | MAX   |       |       |       |       | Unit |
|----------------|--------------------------------------|--|-----------------|---------|-------|-------|------|-------|-------|-------|-------|-------|-------|-------|------|
|                |                                      | -  | Voltage scaling | fHCLK   | 25°C  | 55°C  | 85°C | 105°C | 125°C | 25°C  | 55°C  | 85°C  | 105°C | 125°C |      |
| IDD<br>(Run)   | Supply current in Run mode           | fHCLK = fHSE up to 48 MHz included, bypass mode PLL ON above 48 MHz all peripherals disabled | Range 2         | 26 MHz  | 3.20  | 3.54  | 4.47 | 5.80  | 8.10  | 4.38  | 6.84  | 12.12 | 18.82 | 29.63 | mA   |
|                |                                      |  |                 | 16 MHz  | 2.05  | 2.38  | 3.31 | 4.62  | 6.92  | 3.24  | 5.69  | 10.95 | 17.63 | 28.39 |      |
|                |                                      |  |                 | 8 MHz   | 1.14  | 1.45  | 2.38 | 3.68  | 5.97  | 2.33  | 4.77  | 10.02 | 16.68 | 27.42 |      |
|                |                                      |  |                 | 4 MHz   | 0.675 | 0.99  | 1.91 | 3.22  | 5.50  | 1.87  | 4.30  | 9.55  | 16.20 | 26.92 |      |
|                |                                      |  |                 | 2 MHz   | 0.441 | 0.758 | 1.67 | 2.97  | 5.25  | 1.64  | 4.07  | 9.31  | 15.96 | 26.68 |      |
|                |                                      |  |                 | 1 MHz   | 0.326 | 0.639 | 1.54 | 2.86  | 5.14  | 1.59  | 4.01  | 9.26  | 15.90 | 26.62 |      |
|                |                                      |  |                 | 100 KHz | 0.223 | 0.533 | 1.45 | 2.74  | 5.03  | 1.43  | 3.85  | 9.09  | 15.73 | 26.56 |      |
|                |                                      |  | Range 0         | 110 MHz | 16.7  | 17.3  | 18.7 | 20.5  | 23.7  | 19.07 | 21.53 | 31.38 | 41.23 | 56.59 |      |
|                |                                      |  | Range 1         | 80 MHz  | 11.4  | 11.9  | 13.2 | 14.8  | 17.7  | 13.33 | 16.89 | 24.17 | 33.07 | 46.91 |      |
|                |                                      |  |                 | 72 MHz  | 10.3  | 10.8  | 12.0 | 13.7  | 16.6  | 12.22 | 15.76 | 23.03 | 31.92 | 45.75 |      |
|                |                                      |  |                 | 64 MHz  | 9.20  | 9.68  | 10.9 | 12.6  | 15.4  | 11.10 | 14.64 | 21.89 | 30.78 | 44.60 |      |
|                |                                      |  |                 | 48 MHz  | 6.97  | 7.44  | 8.64 | 10.3  | 13.1  | 8.85  | 12.38 | 19.62 | 28.48 | 42.29 |      |
|                |                                      |  |                 | 32 MHz  | 4.73  | 5.18  | 6.36 | 7.97  | 10.8  | 6.61  | 10.12 | 17.32 | 26.15 | 39.93 |      |
|                |                                      |  |                 | 24 MHz  | 3.62  | 4.06  | 5.22 | 6.82  | 9.6   | 5.49  | 8.99  | 16.17 | 24.99 | 38.82 |      |
|                |                                      |  | 16 MHz          | 2.51    | 2.93  | 4.08  | 5.67 | 8.4   | 4.37  | 7.85  | 15.02 | 23.83 | 37.64 |       |      |
| IDD<br>(LPRun) | Supply current in Low-power run mode | fHCLK = fMSI all peripherals disabled  | 2 MHz           | 424     | 779   | 1816  | 3274 | 5719  | 2026  | 5001  | 12861 | 20164 | 31407 | μA    |      |
|                |                                      |  | 1 MHz           | 296     | 648   | 1686  | 3124 | 5588  | 1905  | 4941  | 11969 | 18559 | 31355 |       |      |
|                |                                      |  | 400 KHz         | 192     | 561   | 1594  | 3047 | 5499  | 1832  | 4762  | 11881 | 18519 | 31266 |       |      |
|                |                                      |  | 100 KHz         | 163     | 528   | 1559  | 3012 | 5469  | 1799  | 4573  | 11877 | 18469 | 31247 |       |      |



**Table 34. Current consumption in Run and Low-power run modes, code with data processing running from Flash in single Bank, ICACHE ON in 1-way**

| Symbol      | Parameter                            | Conditions   |                 |         | TYP    |      |      |       |       | MAX   |       |       |       |       | Unit |       |
|-------------|--------------------------------------|--|-----------------|---------|--------|------|------|-------|-------|-------|-------|-------|-------|-------|------|-------|
|             |                                      | -  | Voltage scaling | fHCLK   | 25°C   | 55°C | 85°C | 105°C | 125°C | 25°C  | 55°C  | 85°C  | 105°C | 125°C |      |       |
| IDD (Run)   | Supply current in Run mode           | fHCLK = fHSE up to 48 MHz included, bypass mode PLL ON above 48 MHz all peripherals disabled | Range 2         | 26 MHz  | 3.10   | 3.44 | 4.37 | 5.69  | 8.01  | 4.28  | 6.74  | 12.02 | 18.70 | 29.46 | mA   |       |
|             |                                      |  |                 | 16 MHz  | 2.00   | 2.32 | 3.23 | 4.55  | 6.86  | 3.18  | 5.63  | 10.89 | 17.55 | 28.30 |      |       |
|             |                                      |  |                 | 8 MHz   | 1.11   | 1.42 | 2.33 | 3.64  | 5.93  | 2.30  | 4.73  | 9.99  | 16.64 | 27.37 |      |       |
|             |                                      |  |                 | 4 MHz   | 0.65   | 0.98 | 1.87 | 3.19  | 5.48  | 1.86  | 4.29  | 9.53  | 16.18 | 26.89 |      |       |
|             |                                      |  |                 | 2 MHz   | 0.43   | 0.74 | 1.65 | 2.97  | 5.24  | 1.64  | 4.06  | 9.31  | 15.95 | 26.66 |      |       |
|             |                                      |  |                 | 1 MHz   | 0.32   | 0.62 | 1.53 | 2.85  | 5.10  | 1.58  | 4.01  | 9.25  | 15.89 | 26.61 |      |       |
|             |                                      |  |                 | 100 KHz | 0.22   | 0.52 | 1.43 | 2.75  | 5.01  | 1.43  | 3.85  | 9.09  | 15.73 | 26.44 |      |       |
|             |                                      |  | Range 0         | 110 MHz | 16.1   | 16.7 | 18.2 | 20.0  | 23.2  | 18.54 | 22.63 | 30.86 | 40.70 | 56.07 |      |       |
|             |                                      |  |                 | Range 1 | 80 MHz | 11.0 | 11.5 | 12.8  | 14.5  | 17.3  | 12.97 | 16.53 | 23.82 | 32.71 |      | 46.57 |
|             |                                      |  |                 |         | 72 MHz | 10.0 | 10.5 | 11.7  | 13.4  | 16.2  | 11.89 | 15.44 | 22.72 | 31.60 |      | 45.46 |
|             |                                      |  |                 |         | 64 MHz | 8.90 | 9.38 | 10.6  | 12.3  | 15.1  | 10.81 | 14.35 | 21.62 | 30.48 |      | 44.30 |
|             |                                      |  |                 |         | 48 MHz | 6.75 | 7.21 | 8.41  | 10.0  | 12.8  | 8.63  | 12.16 | 19.41 | 28.26 |      | 42.09 |
|             |                                      |  |                 |         | 32 MHz | 4.59 | 5.03 | 6.22  | 7.82  | 10.6  | 6.46  | 9.97  | 17.18 | 26.00 |      | 39.87 |
|             |                                      |  |                 |         | 24 MHz | 3.51 | 3.94 | 5.10  | 6.72  | 9.5   | 5.38  | 8.88  | 16.07 | 24.88 |      | 38.73 |
| 16 MHz      | 2.43                                 | 2.85   | 3.99            |         | 5.59   | 8.4  | 4.3  | 7.8   | 15.0  | 23.7  | 37.6  |       |       |       |      |       |
| IDD (LPRun) | Supply current in Low-power run mode | fHCLK = fMSI all peripherals disabled  | 2 MHz           | 416     | 770    | 1781 | 3249 | 5708  | 2014  | 4968  | 12892 | 19856 | 31311 | μA    |      |       |
|             |                                      |  | 1 MHz           | 291     | 633    | 1659 | 3127 | 5575  | 1899  | 4930  | 11960 | 18568 | 31264 |       |      |       |
|             |                                      |  | 400 KHz         | 194     | 557    | 1583 | 3043 | 5502  | 1827  | 4765  | 11905 | 18328 | 31256 |       |      |       |
|             |                                      |  | 100 KHz         | 147     | 519    | 1542 | 3020 | 5462  | 1795  | 4584  | 11898 | 18312 | 31238 |       |      |       |



**Table 35. Current consumption in Run and Low-power run modes, code with data processing running from Flash in single Bank, ICACHE disabled**

| Symbol         | Parameter                            | Conditions   |                 |         | TYP   |       |       |       |       | MAX   |       |       |       |       | Unit |
|----------------|--------------------------------------|--|-----------------|---------|-------|-------|-------|-------|-------|-------|-------|-------|-------|-------|------|
|                |                                      | -  | Voltage scaling | fHCLK   | 25°C  | 55°C  | 85°C  | 105°C | 125°C | 25°C  | 55°C  | 85°C  | 105°C | 125°C |      |
| IDD<br>(Run)   | Supply current in Run mode           | fHCLK = fHSE up to 48 MHz included, bypass mode PLL ON above 48 MHz all peripherals disabled | Range 2         | 26 MHz  | 4.08  | 4.43  | 5.36  | 6.72  | 9.02  | 5.38  | 7.84  | 13.14 | 19.81 | 30.60 | mA   |
|                |                                      |  |                 | 16 MHz  | 2.65  | 2.98  | 3.91  | 5.22  | 7.55  | 3.93  | 6.38  | 11.67 | 18.32 | 29.09 |      |
|                |                                      |  |                 | 8 MHz   | 1.43  | 1.76  | 2.67  | 3.99  | 6.26  | 2.67  | 5.11  | 10.38 | 17.02 | 27.77 |      |
|                |                                      |  |                 | 4 MHz   | 0.82  | 1.14  | 2.05  | 3.36  | 5.65  | 2.04  | 4.48  | 9.73  | 16.36 | 27.11 |      |
|                |                                      |  |                 | 2 MHz   | 0.51  | 0.82  | 1.75  | 3.05  | 5.31  | 1.73  | 4.16  | 9.41  | 16.04 | 26.78 |      |
|                |                                      |  |                 | 1 MHz   | 0.36  | 0.68  | 1.59  | 2.89  | 5.16  | 1.65  | 4.08  | 9.33  | 15.96 | 26.70 |      |
|                |                                      |  | Range 0         | 110 MHz | 18.8  | 19.4  | 20.9  | 22.8  | 25.9  | 19.97 | 24.02 | 32.25 | 42.05 | 57.42 |      |
|                |                                      |  | Range 1         | 80 MHz  | 14.1  | 14.6  | 15.9  | 17.6  | 20.5  | 16.16 | 19.71 | 27.01 | 35.88 | 49.75 |      |
|                |                                      |  |                 | 72 MHz  | 12.8  | 13.3  | 14.5  | 16.2  | 19.1  | 14.80 | 18.34 | 25.64 | 34.50 | 48.37 |      |
|                |                                      |  |                 | 64 MHz  | 11.79 | 12.30 | 13.5  | 15.2  | 18.1  | 13.90 | 17.45 | 24.74 | 33.60 | 47.45 |      |
|                |                                      |  |                 | 48 MHz  | 8.87  | 9.37  | 10.63 | 12.3  | 15.1  | 10.97 | 14.51 | 21.78 | 30.62 | 44.47 |      |
|                |                                      |  |                 | 32 MHz  | 6.12  | 6.58  | 7.80  | 9.44  | 12.2  | 8.22  | 11.74 | 18.98 | 27.78 | 41.68 |      |
|                |                                      |  |                 | 24 MHz  | 4.66  | 5.11  | 6.29  | 7.92  | 10.7  | 6.70  | 10.20 | 17.42 | 26.20 | 40.09 |      |
|                |                                      |  | 16 MHz          | 3.26    | 3.70  | 4.86  | 6.47  | 9.2   | 5.28  | 8.77  | 15.97 | 24.74 | 38.61 |       |      |
| IDD<br>(LPRun) | Supply current in Low-power run mode | fHCLK = fMSI all peripherals disabled  | 2 MHz           | 511     | 866   | 1890  | 3353  | 5834  | 2122  | 5256  | 12721 | 20681 | 31502 | μA    |      |
|                |                                      |  | 1 MHz           | 344     | 692   | 1715  | 3168  | 5642  | 1949  | 5022  | 12001 | 18581 | 31161 |       |      |
|                |                                      |  | 400 KHz         | 203     | 591   | 1603  | 3062  | 5505  | 1852  | 4828  | 11924 | 18580 | 31131 |       |      |
|                |                                      |  | 100 KHz         | 159     | 531   | 1553  | 3018  | 5468  | 1802  | 4590  | 11905 | 18301 | 30947 |       |      |





**Table 36. Current consumption in Run mode, code with data processing running from Flash in single bank, ICACHE ON in 2-way and power supplied by internal SMPS step down converter**

| Symbol       | Parameter                  | Conditions   |                               |         | TYP  |      |      |       |       | MAX  |      |       |       |       | Unit |
|--------------|----------------------------|--|-------------------------------|---------|------|------|------|-------|-------|------|------|-------|-------|-------|------|
|              |                            | -  | Voltage scaling               | fHCLK   | 25°C | 55°C | 85°C | 105°C | 125°C | 25°C | 55°C | 85°C  | 105°C | 125°C |      |
| IDD<br>(Run) | Supply current in Run mode | fHCLK = fHSE up to 48 MHz included, bypass mode PLL ON above 48 MHz all peripherals disabled | Range 2<br>SMPS<br>LP<br>mode | 26 MHz  | 1.87 | 1.95 | 2.41 | 3.09  | 5.03  | 1.92 | 2.72 | 4.63  | 7.11  | 11.08 | mA   |
|              |                            |  |                               | 16 MHz  | 1.23 | 1.33 | 1.78 | 2.45  | 4.33  | 1.31 | 2.09 | 3.99  | 6.46  | 10.42 |      |
|              |                            |  |                               | 8 MHz   | 0.72 | 0.83 | 1.28 | 1.95  | 3.79  | 0.81 | 1.59 | 3.47  | 5.93  | 9.88  |      |
|              |                            |  |                               | 4 MHz   | 0.46 | 0.58 | 1.03 | 1.69  | 3.52  | 0.56 | 1.33 | 3.22  | 5.67  | 9.62  |      |
|              |                            |  |                               | 2 MHz   | 0.33 | 0.46 | 0.91 | 1.55  | 3.38  | 0.44 | 1.21 | 3.09  | 5.54  | 9.48  |      |
|              |                            |  |                               | 1 MHz   | 0.27 | 0.39 | 0.84 | 1.49  | 3.311 | 0.41 | 1.17 | 3.05  | 5.51  | 9.45  |      |
|              |                            |  |                               | 100 KHz | 0.21 | 0.34 | 0.78 | 1.44  | 3.25  | 0.32 | 1.08 | 2.96  | 5.42  | 9.35  |      |
| IDD<br>(Run) | Supply current in Run mode | fHCLK = fHSE up to 48MHz included, bypass mode PLL ON above 48 MHz all peripherals disabled  | Range 1<br>SMPS<br>HP<br>mode | 80 MHz  | 7.00 | 7.28 | 8.37 | 9.41  | 11.92 | 7.52 | 8.94 | 11.84 | 15.22 | 20.62 | mA   |
|              |                            |  |                               | 72 MHz  | 6.34 | 6.61 | 7.57 | 8.67  | 11.20 | 6.87 | 8.25 | 11.19 | 14.55 | 19.93 |      |
|              |                            |  |                               | 64 MHz  | 5.68 | 5.94 | 6.73 | 7.96  | 10.44 | 6.19 | 7.55 | 10.53 | 13.92 | 19.26 |      |
|              |                            |  |                               | 48 MHz  | 4.36 | 4.61 | 5.28 | 6.49  | 8.97  | 4.82 | 6.15 | 9.18  | 12.6  | 17.89 |      |
|              |                            |  |                               | 32 MHz  | 3.03 | 3.25 | 3.91 | 4.86  | 7.48  | 3.43 | 4.73 | 7.7   | 11.29 | 16.52 |      |
|              |                            |  |                               | 24 MHz  | 2.36 | 2.57 | 3.21 | 4.13  | 6.73  | 2.73 | 4.01 | 6.98  | 10.63 | 15.82 |      |
|              |                            |  |                               | 16 MHz  | 1.69 | 1.90 | 2.53 | 3.43  | 5.97  | 2.03 | 3.3  | 6.24  | 9.95  | 15.14 |      |

**Table 37. Current consumption in Run mode, code with data processing running from Flash in single bank, ICACHE ON in 1-way and power supplied by internal SMPS step down converter**

| Symbol    | Parameter                  | Conditions   |                      |                      | TYP    |       |       |       |       | MAX   |       |       |       |       | Unit |       |
|-----------|----------------------------|--|----------------------|----------------------|--------|-------|-------|-------|-------|-------|-------|-------|-------|-------|------|-------|
|           |                            | -  | Voltage scaling      | fHCLK                | 25°C   | 55°C  | 85°C  | 105°C | 125°C | 25°C  | 55°C  | 85°C  | 105°C | 125°C |      |       |
| IDD (Run) | Supply current in Run mode | fHCLK = fHSE up to 48MHz included, bypass mode PLL ON above 48 MHz all peripherals disabled  | Range 2 SMPS LP mode | 26 MHz               | 1.82   | 1.90  | 2.36  | 3.03  | 4.96  | 1.88  | 2.67  | 4.58  | 7.06  | 11.03 | mA   |       |
|           |                            |  |                      | 16 MHz               | 1.20   | 1.30  | 1.75  | 2.41  | 4.31  | 1.28  | 2.06  | 3.96  | 6.43  | 10.39 |      |       |
|           |                            |  |                      | 8 MHz                | 0.70   | 0.82  | 1.27  | 1.93  | 3.75  | 0.8   | 1.57  | 3.46  | 5.92  | 9.87  |      |       |
|           |                            |  |                      | 4 MHz                | 0.45   | 0.58  | 1.02  | 1.68  | 3.51  | 0.56  | 1.32  | 3.21  | 5.67  | 9.61  |      |       |
|           |                            |  |                      | 2 MHz                | 0.33   | 0.45  | 0.90  | 1.55  | 3.37  | 0.44  | 1.2   | 3.08  | 5.54  | 9.48  |      |       |
|           |                            |  |                      | 1 MHz                | 0.26   | 0.39  | 0.84  | 1.49  | 3.30  | 0.4   | 1.17  | 3.05  | 5.51  | 9.45  |      |       |
|           |                            |  |                      | 100 KHz              | 0.21   | 0.33  | 0.78  | 1.43  | 3.24  | 0.32  | 1.08  | 2.96  | 5.42  | 9.35  |      |       |
| IDD (Run) | Supply current in Run mode | fHCLK = fHSE up to 48 MHz included, bypass mode PLL ON above 48 MHz all peripherals disabled | Range 0 SMPS HP mode | 110 MHz              | 10.80  | 11.38 | 12.35 | 13.61 | 17.20 | 11.18 | 12.71 | 15.98 | 19.99 | 26.39 |      |       |
|           |                            |  |                      | Range 1 SMPS HP mode | 80 MHz | 6.79  | 7.06  | 8.152 | 9.17  | 11.65 | 7.32  | 8.74  | 11.64 | 15.01 |      | 20.4  |
|           |                            |  |                      |                      | 72 MHz | 6.15  | 6.42  | 7.38  | 8.46  | 10.92 | 6.68  | 8.06  | 11.01 | 14.37 |      | 19.73 |
|           |                            |  |                      |                      | 64 MHz | 5.51  | 5.77  | 6.62  | 7.77  | 10.22 | 6.02  | 7.38  | 10.36 | 13.75 |      | 19.09 |
|           |                            |  |                      |                      | 48 MHz | 4.23  | 4.48  | 5.15  | 6.34  | 8.814 | 4.69  | 6.02  | 9.05  | 12.48 |      | 17.76 |
|           |                            |  |                      |                      | 32 MHz | 2.94  | 3.17  | 3.82  | 4.76  | 7.341 | 3.34  | 4.64  | 7.62  | 11.21 |      | 16.43 |
|           |                            |  |                      |                      | 24 MHz | 2.29  | 2.51  | 3.15  | 4.06  | 6.62  | 2.66  | 3.95  | 6.91  | 10.56 |      | 15.76 |
| 16 MHz    | 1.65                       | 1.85   | 2.49                 |                      | 3.39   | 5.89  | 1.99  | 3.25  | 6.2   | 9.91  | 15.09 |       |       |       |      |       |



**Table 38. Current consumption in Run mode, code with data processing running from Flash in single bank, ICACHE disabled and power supplied by internal SMPS step down converter**

| Symbol       | Parameter                  | Conditions   |                            |         | TYP   |       |       |       |       | MAX   |       |       |       |       | Unit |
|--------------|----------------------------|--|----------------------------|---------|-------|-------|-------|-------|-------|-------|-------|-------|-------|-------|------|
|              |                            | -  | Voltage scaling            | fHCLK   | 25°C  | 55°C  | 85°C  | 105°C | 125°C | 25°C  | 55°C  | 85°C  | 105°C | 125°C |      |
| IDD<br>(Run) | Supply current in Run mode | fHCLK = fHSE up to 48 MHz included, bypass mode PLL ON above 48 MHz all peripherals disabled | Range 2<br>SMPS<br>LP mode | 26 MHz  | 2.38  | 2.44  | 2.91  | 3.60  | 5.55  | 2.43  | 3.23  | 5.15  | 7.63  | 11.61 | mA   |
|              |                            |  |                            | 16 MHz  | 1.57  | 1.66  | 2.11  | 2.79  | 4.68  | 1.64  | 2.43  | 4.34  | 6.8   | 10.77 |      |
|              |                            |  |                            | 8 MHz   | 0.89  | 0.99  | 1.45  | 2.11  | 3.97  | 0.98  | 1.76  | 3.65  | 6.11  | 10.06 |      |
|              |                            |  |                            | 4 MHz   | 0.54  | 0.67  | 1.11  | 1.77  | 3.59  | 0.65  | 1.41  | 3.3   | 5.76  | 9.7   |      |
|              |                            |  |                            | 2 MHz   | 0.37  | 0.50  | 0.94  | 1.60  | 3.42  | 0.48  | 1.24  | 3.13  | 5.59  | 9.52  |      |
|              |                            |  |                            | 1 MHz   | 0.29  | 0.41  | 0.86  | 1.52  | 3.33  | 0.44  | 1.2   | 3.09  | 5.54  | 9.48  |      |
|              |                            |  |                            | 100 KHz | 0.21  | 0.34  | 0.78  | 1.43  | 3.24  | 0.32  | 1.08  | 2.97  | 5.42  | 9.36  |      |
|              |                            |  | Range 0<br>SMPS<br>HP mode | 110 MHz | 12.87 | 13.29 | 14.25 | 15.62 | 18.91 | 13.02 | 14.59 | 17.89 | 21.92 | 28.32 |      |
|              |                            |  | Range 1<br>SMPS<br>HP mode | 80 MHz  | 8.69  | 9.01  | 10.21 | 11.24 | 13.82 | 9.35  | 10.76 | 13.6  | 17.02 | 22.47 |      |
|              |                            |  |                            | 72 MHz  | 7.88  | 8.23  | 9.30  | 10.34 | 12.83 | 8.53  | 9.98  | 12.77 | 16.15 | 21.57 |      |
|              |                            |  |                            | 64 MHz  | 7.28  | 7.56  | 8.67  | 9.70  | 12.17 | 7.86  | 9.27  | 12.16 | 15.54 | 20.94 |      |
|              |                            |  |                            | 48 MHz  | 5.56  | 5.81  | 6.66  | 7.79  | 10.30 | 6.1   | 7.44  | 10.46 | 13.82 | 19.16 |      |
|              |                            |  |                            | 32 MHz  | 3.87  | 4.11  | 4.79  | 5.87  | 8.40  | 4.33  | 5.65  | 8.63  | 12.16 | 17.41 |      |
|              |                            |  |                            | 24 MHz  | 2.99  | 3.21  | 3.87  | 4.84  | 7.41  | 3.41  | 4.7   | 7.67  | 11.28 | 16.5  |      |
|              |                            |  |                            | 16 MHz  | 2.15  | 2.36  | 3.00  | 3.92  | 6.45  | 2.52  | 3.79  | 6.73  | 10.42 | 15.62 |      |



**Table 39. Current consumption in Run and Low-power run modes, code with data processing running from Flash in dual bank, ICACHE ON in 2-way**

| Symbol         | Parameter                            | Conditions  |                 |         | TYP    |        |       |       |       | MAX   |       |       |       |       | Unit |
|----------------|--------------------------------------|---|-----------------|---------|--------|--------|-------|-------|-------|-------|-------|-------|-------|-------|------|
|                |                                      | -   | Voltage scaling | fHCLK   | 25°C   | 55°C   | 85°C  | 105°C | 125°C | 25°C  | 55°C  | 85°C  | 105°C | 125°C |      |
| IDD<br>(Run)   | Supply current in Run mode           | fHCLK = fHSE up to 48MHz included, bypass mode PLL ON above 48 MHz all peripherals disabled | Range 2         | 26 MHz  | 3.19   | 3.53   | 4.57  | 6.08  | 8.87  | 4.38  | 6.84  | 12.13 | 18.79 | 29.69 | mA   |
|                |                                      |   |                 | 16 MHz  | 2.05   | 2.38   | 3.41  | 4.90  | 7.67  | 3.24  | 5.69  | 10.96 | 17.60 | 28.45 |      |
|                |                                      |   |                 | 8 MHz   | 1.13   | 1.45   | 2.47  | 3.95  | 6.71  | 2.33  | 4.77  | 10.03 | 16.64 | 27.47 |      |
|                |                                      |   |                 | 4 MHz   | 0.67   | 0.99   | 1.98  | 3.48  | 6.22  | 1.87  | 4.30  | 9.56  | 16.16 | 26.97 |      |
|                |                                      |   |                 | 2 MHz   | 0.43   | 0.75   | 1.76  | 3.24  | 5.97  | 1.64  | 4.07  | 9.32  | 15.92 | 26.73 |      |
|                |                                      |   |                 | 1 MHz   | 0.32   | 0.63   | 1.63  | 3.13  | 5.85  | 1.59  | 4.02  | 9.26  | 15.86 | 26.66 |      |
|                |                                      |   |                 | 100 KHz | 0.22   | 0.53   | 1.53  | 3.00  | 5.75  | 1.43  | 3.85  | 9.10  | 15.70 | 26.48 |      |
|                |                                      |   | Range 0         | 110 MHz | 16.66  | 17.28  | 18.84 | 20.97 | 24.75 | 19.07 | 23.15 | 31.38 | 41.18 | 56.65 |      |
|                |                                      |   | Range 1         | 80 MHz  | 11.39  | 11.91  | 13.30 | 15.22 | 18.68 | 13.33 | 16.88 | 24.17 | 33.02 | 46.97 |      |
|                |                                      |   |                 | 72 MHz  | 10.28  | 10.79  | 12.16 | 14.08 | 17.52 | 12.22 | 15.76 | 23.03 | 31.87 | 45.80 |      |
|                |                                      |   |                 | 64 MHz  | 9.18   | 9.68   | 11.02 | 12.93 | 16.35 | 11.10 | 14.64 | 21.89 | 30.72 | 44.63 |      |
|                |                                      |   |                 | 48 MHz  | 6.95   | 7.43   | 8.76  | 10.63 | 14.02 | 8.85  | 12.38 | 19.62 | 28.43 | 42.33 |      |
|                |                                      |   |                 | 32 MHz  | 4.72   | 5.17   | 6.48  | 8.33  | 11.68 | 6.61  | 10.12 | 17.32 | 26.10 | 39.96 |      |
|                |                                      |   |                 | 24 MHz  | 3.61   | 4.05   | 5.35  | 7.20  | 10.50 | 5.49  | 8.98  | 16.17 | 24.94 | 38.85 |      |
|                |                                      |   | 16 MHz          | 2.50    | 2.92   | 4.20   | 6.04  | 9.33  | 4.37  | 7.85  | 15.02 | 23.77 | 37.67 |       |      |
| IDD<br>(LPRun) | Supply current in Low-power run mode | fHCLK = fMSI<br>all peripherals disabled  |                 | 2 MHz   | 402.64 | 785.95 | 1919  | 3558  | 6501  | 2025  | 4984  | 12805 | 20319 | 31556 | µA   |
|                |                                      |   |                 | 1 MHz   | 274.43 | 651.32 | 1775  | 3435  | 6367  | 1907  | 4958  | 11887 | 18764 | 31438 |      |
|                |                                      |   |                 | 400 KHz | 184.36 | 568.08 | 1697  | 3359  | 6278  | 1835  | 4759  | 11810 | 18426 | 31274 |      |
|                |                                      |   |                 | 100 KHz | 164.07 | 526.82 | 1660  | 3306  | 6238  | 1797  | 4578  | 11807 | 18139 | 30765 |      |



**Table 40. Current consumption in Run and Low-power run modes, code with data processing running from Flash in dual bank, ICACHE ON in 1-way**

| Symbol         | Parameter                            | Conditions  |                 |            | TYP        |       |       |       |       | MAX   |       |       |       |       | Unit |    |
|----------------|--------------------------------------|---|-----------------|------------|------------|-------|-------|-------|-------|-------|-------|-------|-------|-------|------|----|
|                |                                      | -   | Voltage scaling | fHCLK      | 25°C       | 55°C  | 85°C  | 105°C | 125°C | 25°C  | 55°C  | 85°C  | 105°C | 125°C |      |    |
| IDD<br>(Run)   | Supply current in Run mode           | fHCLK = fHSE up to 48MHz included, bypass mode PLL ON above 48 MHz all peripherals disabled | Range 2         | 26 MHz     | 3.10       | 3.44  | 4.45  | 5.99  | 8.76  | 4.28  | 6.74  | 12.01 | 18.65 | 29.47 | mA   |    |
|                |                                      |   |                 | 16 MHz     | 1.99       | 2.32  | 3.33  | 4.84  | 7.60  | 3.18  | 5.63  | 10.88 | 17.51 | 28.31 |      |    |
|                |                                      |   |                 | 8 MHz      | 1.10       | 1.42  | 2.43  | 3.93  | 6.67  | 2.30  | 4.73  | 9.97  | 16.59 | 27.37 |      |    |
|                |                                      |   |                 | 4 MHz      | 0.65       | 0.97  | 1.96  | 3.47  | 6.19  | 1.86  | 4.29  | 9.52  | 16.13 | 26.90 |      |    |
|                |                                      |   |                 | 2 MHz      | 0.43       | 0.76  | 1.75  | 3.24  | 5.97  | 1.64  | 4.06  | 9.29  | 15.90 | 26.67 |      |    |
|                |                                      |   |                 | 1 MHz      | 0.31       | 0.63  | 1.63  | 3.14  | 5.84  | 1.58  | 4.01  | 9.24  | 15.85 | 26.61 |      |    |
|                |                                      |   |                 | 100 KHz    | 0.21       | 0.53  | 1.52  | 3.01  | 5.75  | 1.43  | 3.85  | 9.08  | 15.69 | 26.45 |      |    |
|                |                                      |   | Range 0         | 110 MHz    | 16.14      | 16.75 | 18.31 | 20.43 | 24.12 | 18.54 | 22.62 | 30.83 | 40.64 | 56.06 |      |    |
|                |                                      |   | Range 1         | 80 MHz     | 11.03      | 11.54 | 12.91 | 14.83 | 18.22 | 12.97 | 16.52 | 23.79 | 32.65 | 46.57 |      | mA |
|                |                                      |   |                 | 72 MHz     | 9.96       | 10.46 | 11.81 | 13.73 | 17.10 | 11.89 | 15.44 | 22.69 | 31.54 | 45.44 |      |    |
|                |                                      |   |                 | 64 MHz     | 8.89       | 9.39  | 10.72 | 12.62 | 16.00 | 10.81 | 14.35 | 21.59 | 30.43 | 44.31 |      |    |
|                |                                      |   |                 | 48 MHz     | 6.74       | 7.21  | 8.52  | 10.41 | 13.77 | 8.63  | 12.16 | 19.38 | 28.20 | 42.08 |      |    |
|                |                                      |   |                 | 32 MHz     | 4.58       | 5.04  | 6.31  | 8.19  | 11.47 | 6.46  | 9.97  | 17.16 | 25.95 | 39.86 |      |    |
|                |                                      |   |                 | 24 MHz     | 3.50       | 3.94  | 5.22  | 7.07  | 10.36 | 5.38  | 8.87  | 16.04 | 24.82 | 38.72 |      |    |
| 16 MHz         | 2.42                                 | 2.85  |                 | 4.10       | 5.93       | 9.21  | 4.30  | 7.78  | 14.93 | 23.69 | 37.57 |       |       |       |      |    |
| IDD<br>(LPRun) | Supply current in Low-power run mode | fHCLK = fMSI<br>all peripherals disabled  | 2 MHz           | 395.2<br>8 | 772.8<br>3 | 1907  | 3571  | 6492  | 2013  | 4976  | 12833 | 20077 | 31507 | μA    |      |    |
|                |                                      |   | 1 MHz           | 289.9<br>8 | 641.7<br>3 | 1775  | 3418  | 6339  | 1907  | 4922  | 11903 | 18462 | 31382 |       |      |    |
|                |                                      |   | 400 KHz         | 186.6<br>8 | 557.5<br>3 | 1698  | 3343  | 6271  | 1823  | 4765  | 11840 | 18375 | 31356 |       |      |    |
|                |                                      |   | 100 KHz         | 165.5<br>4 | 523.3<br>3 | 1666  | 3299  | 6245  | 1799  | 4595  | 11826 | 18345 | 30923 |       |      |    |



**Table 41. Current consumption in Run and Low-power run modes, code with data processing running from Flash in dual bank, ICACHE disabled**

| Symbol      | Parameter                            | Conditions  |                 |            | TYP        |       |       |       |       | MAX   |       |       |       |       | Unit |
|-------------|--------------------------------------|---|-----------------|------------|------------|-------|-------|-------|-------|-------|-------|-------|-------|-------|------|
|             |                                      | -   | Voltage scaling | fHCLK      | 25°C       | 55°C  | 85°C  | 105°C | 125°C | 25°C  | 55°C  | 85°C  | 105°C | 125°C |      |
| IDD (Run)   | Supply current in Run mode           | fHCLK = fHSE up to 48MHz included, bypass mode PLL ON above 48 MHz all peripherals disabled | Range 2         | 26 MHz     | 4.17       | 4.52  | 5.55  | 7.10  | 9.86  | 5.38  | 7.84  | 13.11 | 19.77 | 30.58 | mA   |
|             |                                      |   |                 | 16 MHz     | 2.73       | 3.07  | 4.09  | 5.63  | 8.40  | 3.93  | 6.38  | 11.64 | 18.28 | 29.07 |      |
|             |                                      |   |                 | 8 MHz      | 1.47       | 1.80  | 2.81  | 4.32  | 7.05  | 2.67  | 5.11  | 10.35 | 16.98 | 27.75 |      |
|             |                                      |   |                 | 4 MHz      | 0.84       | 1.166 | 2.16  | 3.66  | 6.39  | 2.04  | 4.47  | 9.70  | 16.33 | 27.08 |      |
|             |                                      |   |                 | 2 MHz      | 0.52       | 0.84  | 1.84  | 3.33  | 6.05  | 1.73  | 4.16  | 9.38  | 16.00 | 26.76 |      |
|             |                                      |   |                 | 1 MHz      | 0.36       | 0.68  | 1.68  | 3.18  | 5.89  | 1.65  | 4.08  | 9.30  | 15.92 | 26.67 |      |
|             |                                      |   |                 | 100 KHz    | 0.22       | 0.53  | 1.53  | 3.03  | 5.74  | 1.43  | 3.86  | 9.08  | 15.70 | 26.44 |      |
|             |                                      |   | Range 0         | 110 MHz    | 17.20      | 17.81 | 19.35 | 21.47 | 25.17 | 19.96 | 24.02 | 32.20 | 42.00 | 57.39 |      |
|             |                                      |   | Range 1         | 80 MHz     | 13.93      | 14.47 | 15.86 | 17.80 | 21.23 | 16.17 | 19.70 | 26.96 | 35.83 | 49.73 |      |
|             |                                      |   |                 | 72 MHz     | 12.60      | 13.12 | 14.51 | 16.45 | 19.86 | 14.80 | 18.34 | 25.59 | 34.46 | 48.34 |      |
|             |                                      |   |                 | 64 MHz     | 11.82      | 12.34 | 13.73 | 15.65 | 19.05 | 13.90 | 17.45 | 24.69 | 33.55 | 47.42 |      |
|             |                                      |   |                 | 48 MHz     | 8.922      | 9.42  | 10.78 | 12.69 | 16.08 | 10.97 | 14.51 | 21.73 | 30.58 | 44.45 |      |
|             |                                      |   |                 | 32 MHz     | 6.24       | 6.72  | 8.03  | 9.92  | 13.28 | 8.22  | 11.74 | 18.93 | 27.74 | 41.65 |      |
|             |                                      |   |                 | 24 MHz     | 4.75       | 5.21  | 6.50  | 8.35  | 11.67 | 6.70  | 10.20 | 17.37 | 26.16 | 40.06 |      |
| 16 MHz      | 3.38                                 | 3.83  | 5.09            | 6.93       | 10.22      | 5.28  | 8.77  | 15.92 | 24.70 | 38.58 |       |       |       |       |      |
| IDD (LPRun) | Supply current in Low-power run mode | fHCLK = fMSI all peripherals disabled   | 2 MHz           | 483.6<br>4 | 889.5<br>6 | 2022  | 3671  | 6622  | 2109  | 5283  | 12566 | 20777 | 31527 | µA    |      |
|             |                                      |   | 1 MHz           | 332.2<br>4 | 705.1<br>9 | 1836  | 3468  | 6424  | 1954  | 5032  | 11918 | 18517 | 31263 |       |      |
|             |                                      |   | 400 KHz         | 206.5<br>9 | 588.2<br>5 | 1722  | 3355  | 6314  | 1849  | 4802  | 11889 | 18449 | 31148 |       |      |
|             |                                      |   | 100 KHz         | 156.4<br>1 | 527.8<br>0 | 1666  | 3315  | 6247  | 1809  | 4600  | 11847 | 18240 | 30791 |       |      |



**Table 42. Current consumption in Run mode, code with data processing running from Flash in dual bank, ICACHE ON in 2-way and power supplied by internal SMPS step down converter**

| Symbol       | Parameter                  | Conditions   |                            |         | TYP   |       |       |       |       | MAX   |       |       |       |       | Unit |
|--------------|----------------------------|--|----------------------------|---------|-------|-------|-------|-------|-------|-------|-------|-------|-------|-------|------|
|              |                            | -  | Voltage scaling            | fHCLK   | 25°C  | 55°C  | 85°C  | 105°C | 125°C | 25°C  | 55°C  | 85°C  | 105°C | 125°C |      |
| IDD<br>(Run) | Supply current in Run mode | fHCLK = fHSE up to 48 MHz included, bypass mode PLL ON above 48 MHz all peripherals disabled | Range 2<br>SMPS<br>LP mode | 26 MHz  | 1.85  | 1.94  | 2.41  | 3.14  | 4.40  | 1.93  | 2.73  | 4.65  | 7.13  | 11.13 | mA   |
|              |                            |  |                            | 16 MHz  | 1.21  | 1.33  | 1.79  | 2.48  | 3.76  | 1.31  | 2.09  | 3.99  | 6.46  | 10.43 |      |
|              |                            |  |                            | 8 MHz   | 0.70  | 0.83  | 1.29  | 1.98  | 3.25  | 0.81  | 1.59  | 3.47  | 5.94  | 9.89  |      |
|              |                            |  |                            | 4 MHz   | 0.45  | 0.58  | 1.03  | 1.77  | 3.00  | 0.56  | 1.33  | 3.22  | 5.68  | 9.62  |      |
|              |                            |  |                            | 2 MHz   | 0.32  | 0.46  | 0.90  | 1.60  | 2.88  | 0.44  | 1.21  | 3.09  | 5.54  | 9.49  |      |
|              |                            |  |                            | 1 MHz   | 0.26  | 0.39  | 0.84  | 1.54  | 2.79  | 0.41  | 1.17  | 3.05  | 5.51  | 9.46  |      |
|              |                            |  |                            | 100 KHz | 0.20  | 0.33  | 0.79  | 1.51  | 2.74  | 0.32  | 1.08  | 2.96  | 5.42  | 9.36  |      |
|              |                            |  | Range 0<br>SMPS<br>HP mode | 110 MHz | 11.05 | 11.73 | 12.72 | 14.01 | 16.84 | 11.49 | 13.03 | 16.31 | 20.32 | 26.75 |      |
|              |                            |  | Range 1<br>SMPS<br>HP mode | 80 MHz  | 6.96  | 7.27  | 8.38  | 9.46  | 11.35 | 7.53  | 8.94  | 11.84 | 15.22 | 20.64 |      |
|              |                            |  |                            | 72 MHz  | 6.30  | 6.61  | 7.62  | 8.69  | 10.58 | 6.87  | 8.26  | 11.2  | 14.56 | 19.94 |      |
|              |                            |  |                            | 64 MHz  | 5.65  | 5.94  | 6.80  | 8.00  | 9.88  | 6.19  | 7.55  | 10.53 | 13.92 | 19.27 |      |
|              |                            |  |                            | 48 MHz  | 4.33  | 4.60  | 5.29  | 6.51  | 8.40  | 4.83  | 6.15  | 9.18  | 12.6  | 17.9  |      |
|              |                            |  |                            | 32 MHz  | 3.00  | 3.25  | 3.92  | 4.92  | 6.92  | 3.43  | 4.73  | 7.7   | 11.29 | 16.53 |      |
|              |                            |  |                            | 24 MHz  | 2.33  | 2.57  | 3.22  | 4.15  | 6.15  | 2.73  | 4.01  | 6.98  | 10.63 | 15.83 |      |
|              |                            |  | 16 MHz                     | 1.67    | 1.89  | 2.53  | 3.47  | 5.33  | 2.03  | 3.3   | 6.24  | 9.95  | 15.15 |       |      |

**Table 43. Current consumption in Run mode, code with data processing running from Flash in dual bank, ICACHE ON in 1-way and power supplied by internal SMPS step down converter**

| Symbol       | Parameter                  | Conditions   |                            |         | TYP   |       |       |       |       | MAX   |       |       |       |       | Unit |
|--------------|----------------------------|--|----------------------------|---------|-------|-------|-------|-------|-------|-------|-------|-------|-------|-------|------|
|              |                            | -  | Voltage scaling            | fHCLK   | 25°C  | 55°C  | 85°C  | 105°C | 125°C | 25°C  | 55°C  | 85°C  | 105°C | 125°C |      |
| IDD<br>(Run) | Supply current in Run mode | fHCLK = fHSE up to 48 MHz included, bypass mode PLL ON above 48 MHz all peripherals disabled | Range 2<br>SMPS<br>LP mode | 26 MHz  | 1.80  | 1.89  | 2.37  | 3.07  | 4.35  | 1.88  | 2.67  | 4.58  | 7.06  | 11.04 | mA   |
|              |                            |  |                            | 16 MHz  | 1.18  | 1.30  | 1.76  | 2.46  | 3.72  | 1.28  | 2.06  | 3.96  | 6.43  | 10.39 |      |
|              |                            |  |                            | 8 MHz   | 0.69  | 0.82  | 1.27  | 1.98  | 3.23  | 0.8   | 1.57  | 3.46  | 5.92  | 9.87  |      |
|              |                            |  |                            | 4 MHz   | 0.44  | 0.58  | 1.02  | 1.72  | 2.98  | 0.56  | 1.32  | 3.21  | 5.67  | 9.61  |      |
|              |                            |  |                            | 2 MHz   | 0.32  | 0.46  | 0.90  | 1.59  | 2.86  | 0.44  | 1.2   | 3.08  | 5.54  | 9.48  |      |
|              |                            |  |                            | 1 MHz   | 0.26  | 0.39  | 0.84  | 1.53  | 2.79  | 0.4   | 1.17  | 3.05  | 5.51  | 9.45  |      |
|              |                            |  |                            | 100 KHz | 0.20  | 0.33  | 0.78  | 1.48  | 2.73  | 0.32  | 1.08  | 2.96  | 5.42  | 9.36  |      |
|              |                            |  | Range 0<br>SMPS<br>HP mode | 110 MHz | 10.51 | 11.37 | 12.33 | 13.63 | 16.26 | 11.18 | 12.72 | 15.98 | 20    | 26.4  |      |
|              |                            |  | Range 1<br>SMPS<br>HP mode | 80 MHz  | 6.75  | 7.06  | 8.15  | 9.21  | 11.07 | 7.33  | 8.74  | 11.64 | 15.01 | 20.41 |      |
|              |                            |  |                            | 72 MHz  | 6.12  | 6.41  | 7.39  | 8.50  | 10.37 | 6.68  | 8.06  | 11.01 | 14.37 | 19.75 |      |
|              |                            |  |                            | 64 MHz  | 5.48  | 5.77  | 6.65  | 7.82  | 9.68  | 6.02  | 7.38  | 10.37 | 13.75 | 19.1  |      |
|              |                            |  |                            | 48 MHz  | 4.20  | 4.48  | 5.15  | 6.38  | 8.25  | 4.69  | 6.02  | 9.06  | 12.48 | 17.77 |      |
|              |                            |  |                            | 32 MHz  | 2.92  | 3.16  | 3.82  | 4.79  | 6.81  | 3.34  | 4.64  | 7.62  | 11.21 | 16.44 |      |
|              |                            |  |                            | 24 MHz  | 2.27  | 2.51  | 3.15  | 4.12  | 6.06  | 2.66  | 3.95  | 6.91  | 10.56 | 15.76 |      |
|              |                            |  |                            | 16 MHz  | 1.63  | 1.85  | 2.49  | 3.44  | 5.26  | 1.99  | 3.25  | 6.2   | 9.91  | 15.1  |      |





**Table 44. Current consumption in Run mode, code with data processing running from Flash in dual bank, ICACHE disabled and power supplied by internal SMPS step down converter**

| Symbol       | Parameter                  | Conditions   |                               |         | TYP   |       |       |       |       | MAX   |       |       |       |       | Unit |
|--------------|----------------------------|--|-------------------------------|---------|-------|-------|-------|-------|-------|-------|-------|-------|-------|-------|------|
|              |                            | -  | Voltage scaling               | fHCLK   | 25°C  | 55°C  | 85°C  | 105°C | 125°C | 25°C  | 55°C  | 85°C  | 105°C | 125°C |      |
| IDD<br>(Run) | Supply current in Run mode | fHCLK = fHSE up to 48 MHz included, bypass mode PLL ON above 48 MHz all peripherals disabled | Range 2<br>SMPS<br>LP<br>mode | 26 MHz  | 2.40  | 2.49  | 2.97  | 3.67  | 4.94  | 2.47  | 3.28  | 5.2   | 7.68  | 11.67 | mA   |
|              |                            |  |                               | 16 MHz  | 1.61  | 1.71  | 2.17  | 2.87  | 4.16  | 1.68  | 2.48  | 4.39  | 6.86  | 10.83 |      |
|              |                            |  |                               | 8 MHz   | 0.90  | 1.02  | 1.47  | 2.18  | 3.44  | 1     | 1.78  | 3.67  | 6.14  | 10.09 |      |
|              |                            |  |                               | 4 MHz   | 0.55  | 0.67  | 1.12  | 1.82  | 3.07  | 0.66  | 1.43  | 3.31  | 5.77  | 9.72  |      |
|              |                            |  |                               | 2 MHz   | 0.37  | 0.51  | 0.95  | 1.64  | 2.89  | 0.49  | 1.25  | 3.14  | 5.59  | 9.54  |      |
|              |                            |  |                               | 1 MHz   | 0.286 | 0.42  | 0.87  | 1.55  | 2.81  | 0.44  | 1.21  | 3.09  | 5.55  | 9.49  |      |
|              |                            |  |                               | 100 KHz | 0.20  | 0.34  | 0.79  | 1.48  | 2.74  | 0.32  | 1.08  | 2.97  | 5.42  | 9.36  |      |
|              |                            |  | Range 0<br>SMPS<br>HP<br>mode | 110 MHz | 11.59 | 12.15 | 13.24 | 14.24 | 16.59 | 11.99 | 13.58 | 16.92 | 20.93 | 27.3  |      |
|              |                            |  | Range 1<br>SMPS<br>HP<br>mode | 80 MHz  | 8.53  | 8.95  | 10.06 | 11.12 | 13.07 | 9.31  | 10.7  | 13.49 | 16.89 | 22.35 |      |
|              |                            |  |                               | 72 MHz  | 7.74  | 8.07  | 9.20  | 10.26 | 12.17 | 8.47  | 9.9   | 12.69 | 16.07 | 21.5  |      |
|              |                            |  |                               | 64 MHz  | 7.26  | 7.57  | 8.71  | 9.75  | 11.64 | 7.95  | 9.38  | 12.21 | 15.58 | 21    |      |
|              |                            |  |                               | 48 MHz  | 5.54  | 5.82  | 6.66  | 7.87  | 9.74  | 6.15  | 7.51  | 10.51 | 13.86 | 19.2  |      |
|              |                            |  |                               | 32 MHz  | 3.92  | 4.18  | 4.85  | 5.98  | 7.91  | 4.42  | 5.74  | 8.74  | 12.24 | 17.5  |      |
|              |                            |  |                               | 24 MHz  | 3.03  | 3.27  | 3.92  | 4.91  | 6.93  | 3.48  | 4.78  | 7.75  | 11.33 | 16.55 |      |
|              |                            |  |                               | 16 MHz  | 2.20  | 2.43  | 3.07  | 4.03  | 5.95  | 2.59  | 3.87  | 6.81  | 10.49 | 15.69 |      |



**Table 45. Current consumption in Run and Low-power run modes, code with data processing running from SRAM1**

| Symbol         | Parameter                            | Conditions  |                 |         | TYP    |       |       |       |       | MAX   |       |       |       |       | Unit |
|----------------|--------------------------------------|---|-----------------|---------|--------|-------|-------|-------|-------|-------|-------|-------|-------|-------|------|
|                |                                      | -   | Voltage scaling | fHCLK   | 25°C   | 55°C  | 85°C  | 105°C | 125°C | 25°C  | 55°C  | 85°C  | 105°C | 125°C |      |
| IDD<br>(Run)   | Supply current in Run mode           | fHCLK = fHSE up to 48MHz included, bypass mode PLL ON above 48 MHz all peripherals disabled | Range 2         | 26 MHz  | 3.25   | 3.59  | 4.62  | 6.12  | 8.92  | 4.44  | 6.89  | 12.15 | 18.80 | 29.60 | mA   |
|                |                                      |   |                 | 16 MHz  | 2.08   | 2.41  | 3.43  | 4.93  | 7.69  | 3.27  | 5.72  | 10.96 | 17.61 | 28.38 |      |
|                |                                      |   |                 | 8 MHz   | 1.15   | 1.47  | 2.47  | 3.97  | 6.73  | 2.35  | 4.78  | 10.01 | 16.64 | 27.40 |      |
|                |                                      |   |                 | 4 MHz   | 0.68   | 1.00  | 1.99  | 3.51  | 6.23  | 1.88  | 4.31  | 9.53  | 16.16 | 26.91 |      |
|                |                                      |   |                 | 2 MHz   | 0.44   | 0.76  | 1.75  | 3.25  | 5.97  | 1.65  | 4.07  | 9.30  | 15.92 | 26.67 |      |
|                |                                      |   |                 | 1 MHz   | 0.32   | 0.64  | 1.64  | 3.14  | 5.86  | 1.59  | 4.01  | 9.24  | 15.86 | 26.61 |      |
|                |                                      |   |                 | 100 KHz | 0.22   | 0.53  | 1.52  | 3.03  | 5.76  | 1.42  | 3.84  | 9.06  | 15.68 | 26.43 |      |
|                |                                      |   | Range 0         | 110 MHz | 16.99  | 17.57 | 19.10 | 21.22 | 24.94 | 19.40 | 23.45 | 31.63 | 41.44 | 56.82 |      |
|                |                                      |   | Range 1         | 80 MHz  | 11.63  | 12.13 | 13.48 | 15.38 | 18.76 | 13.57 | 17.11 | 24.35 | 33.21 | 47.09 |      |
|                |                                      |   |                 | 72 MHz  | 10.50  | 10.99 | 12.33 | 14.22 | 17.62 | 12.42 | 15.96 | 23.19 | 32.04 | 45.92 |      |
|                |                                      |   |                 | 64 MHz  | 9.37   | 9.85  | 11.18 | 13.07 | 16.43 | 11.28 | 14.81 | 22.04 | 30.87 | 44.74 |      |
|                |                                      |   |                 | 48 MHz  | 7.10   | 7.56  | 8.87  | 10.74 | 14.10 | 8.99  | 12.51 | 19.71 | 28.54 | 42.40 |      |
|                |                                      |   |                 | 32 MHz  | 4.826  | 5.27  | 6.55  | 8.40  | 11.70 | 6.70  | 10.20 | 17.38 | 26.18 | 40.08 |      |
|                |                                      |   |                 | 24 MHz  | 3.68   | 4.11  | 5.37  | 7.23  | 10.54 | 5.55  | 9.05  | 16.21 | 24.99 | 38.88 |      |
| 16 MHz         | 2.54                                 | 2.97  | 4.22            | 6.05    | 9.34   | 4.41  | 7.89  | 15.04 | 23.81 | 37.68 |       |       |       |       |      |
| IDD<br>(LPRun) | Supply current in Low-power run mode | fHCLK = fMSI all peripherals disabled FLASH in power-down                                   | 2 MHz           | 385.23  | 772.80 | 1911  | 3545  | 6506  | 2010  | 4724  | 12895 | 21185 | 30901 | µA    |      |
|                |                                      |   | 1 MHz           | 271.61  | 633.31 | 1776  | 3405  | 6382  | 1896  | 4686  | 12648 | 20905 | 30715 |       |      |
|                |                                      |   | 400 KHz         | 198.95  | 554.43 | 1694  | 3337  | 6298  | 1818  | 4633  | 10788 | 18052 | 30448 |       |      |
|                |                                      |   | 100 KHz         | 142.82  | 517.78 | 1638  | 3286  | 6267  | 1423  | 3848  | 9073  | 15687 | 26433 |       |      |



**Table 46. Current consumption in Run mode, code with data processing running from SRAM1 and power supplied by internal SMPS step down converter**

| Symbol       | Parameter                  | Conditions   |                            |         | TYP   |       |       |       |       | MAX   |       |       |       |       | Unit |
|--------------|----------------------------|--|----------------------------|---------|-------|-------|-------|-------|-------|-------|-------|-------|-------|-------|------|
|              |                            | -  | Voltage scaling            | fHCLK   | 25°C  | 55°C  | 85°C  | 105°C | 125°C | 25°C  | 55°C  | 85°C  | 105°C | 125°C |      |
| IDD<br>(Run) | Supply current in Run mode | fHCLK = fHSE up to 48 MHz included, bypass mode PLL ON above 48 MHz all peripherals disabled | Range 2<br>SMPS<br>LP mode | 26 MHz  | 1.88  | 1.99  | 2.46  | 3.15  | 4.42  | 1.96  | 2.76  | 4.67  | 7.14  | 11.12 | mA   |
|              |                            |  |                            | 16 MHz  | 1.24  | 1.35  | 1.81  | 2.51  | 3.76  | 1.33  | 2.11  | 4.01  | 6.48  | 10.44 |      |
|              |                            |  |                            | 8 MHz   | 0.72  | 0.85  | 1.29  | 1.99  | 3.24  | 0.82  | 1.6   | 3.48  | 5.94  | 9.89  |      |
|              |                            |  |                            | 4 MHz   | 0.46  | 0.59  | 1.04  | 1.73  | 2.97  | 0.57  | 1.34  | 3.22  | 5.68  | 9.62  |      |
|              |                            |  |                            | 2 MHz   | 0.32  | 0.46  | 0.91  | 1.60  | 2.85  | 0.44  | 1.21  | 3.09  | 5.54  | 9.48  |      |
|              |                            |  |                            | 1 MHz   | 0.26  | 0.40  | 0.84  | 1.53  | 2.77  | 0.41  | 1.18  | 3.06  | 5.51  | 9.45  |      |
|              |                            |  |                            | 100 KHz | 0.20  | 0.34  | 0.78  | 1.48  | 2.71  | 0.32  | 1.08  | 2.96  | 5.41  | 9.34  |      |
|              |                            |  | Range 0<br>SMPS<br>HP mode | 110 MHz | 11.28 | 12.01 | 12.99 | 14.29 | 17.00 | 12.06 | 14.37 | 19.01 | 24.79 | 33.4  |      |
|              |                            |  | Range 1<br>SMPS<br>HP mode | 80 MHz  | 7.10  | 7.42  | 8.55  | 9.55  | 11.47 | 8.33  | 10.16 | 13.97 | 18.72 | 26.04 |      |
|              |                            |  |                            | 72 MHz  | 6.44  | 6.74  | 7.80  | 8.84  | 10.70 | 7.52  | 9.42  | 13.31 | 18.02 | 25.3  |      |
|              |                            |  |                            | 64 MHz  | 5.76  | 6.05  | 6.89  | 8.10  | 9.95  | 6.8   | 8.74  | 12.64 | 17.33 | 24.58 |      |
|              |                            |  |                            | 48 MHz  | 4.42  | 4.69  | 5.37  | 6.60  | 8.46  | 5.34  | 7.29  | 11.35 | 15.96 | 23.16 |      |
|              |                            |  |                            | 32 MHz  | 3.06  | 3.31  | 3.96  | 4.93  | 6.93  | 3.86  | 5.79  | 9.98  | 14.58 | 21.7  |      |
|              |                            |  |                            | 24 MHz  | 2.38  | 2.61  | 3.26  | 4.20  | 6.16  | 3.15  | 5.05  | 9.26  | 13.88 | 20.98 |      |
|              |                            |  |                            | 16 MHz  | 1.70  | 1.92  | 2.55  | 3.51  | 5.32  | 2.45  | 4.31  | 8.52  | 13.19 | 20.25 |      |



**Table 47. Current consumption in Run and Low-power run modes, code with data processing running from SRAM2**

| Symbol     | Parameter                            | Conditions   |                 |         | TYP    |       |       |       |       | MAX   |       |       |       |       | Unit |
|------------|--------------------------------------|--|-----------------|---------|--------|-------|-------|-------|-------|-------|-------|-------|-------|-------|------|
|            |                                      | -  | Voltage scaling | fHCLK   | 25°C   | 55°C  | 85°C  | 105°C | 125°C | 25°C  | 55°C  | 85°C  | 105°C | 125°C |      |
| IDD (Run)  | Supply current in Run mode           | fHCLK = fHSE up to 48 MHz included, bypass mode PLL ON above 48 MHz all peripherals disabled | Range 2         | 26 MHz  | 3.20   | 3.53  | 4.55  | 6.08  | 8.86  | 4.33  | 6.79  | 12.05 | 18.6  | 29.56 | mA   |
|            |                                      |  |                 | 16 MHz  | 2.05   | 2.38  | 3.40  | 4.90  | 7.67  | 3.19  | 5.63  | 10.88 | 17.41 | 28.32 |      |
|            |                                      |  |                 | 8 MHz   | 1.13   | 1.45  | 2.46  | 3.97  | 6.71  | 2.28  | 4.71  | 9.94  | 16.46 | 27.34 |      |
|            |                                      |  |                 | 4 MHz   | 0.67   | 0.99  | 1.99  | 3.47  | 6.21  | 1.82  | 4.25  | 9.47  | 15.98 | 26.84 |      |
|            |                                      |  |                 | 2 MHz   | 0.43   | 0.76  | 1.75  | 3.24  | 5.97  | 1.59  | 4.01  | 9.24  | 15.74 | 26.59 |      |
|            |                                      |  |                 | 1 MHz   | 0.32   | 0.63  | 1.63  | 3.13  | 5.86  | 1.53  | 3.96  | 9.18  | 15.68 | 26.52 |      |
|            |                                      |  |                 | 100 KHz | 0.22   | 0.53  | 1.53  | 3.01  | 5.74  | 1.37  | 3.79  | 9     | 15.5  | 26.33 |      |
|            |                                      |  | Range 0         | 110 MHz | 16.71  | 17.32 | 18.86 | 20.97 | 24.66 | 19.04 | 23.09 | 31.27 | 40.87 | 56.41 |      |
|            |                                      |  | Range 1         | 80 MHz  | 11.43  | 11.94 | 13.30 | 15.21 | 18.64 | 13.29 | 16.83 | 24.07 | 32.71 | 46.77 |      |
|            |                                      |  |                 | 72 MHz  | 10.32  | 10.82 | 12.16 | 14.07 | 17.48 | 12.17 | 15.71 | 22.94 | 31.55 | 45.6  |      |
|            |                                      |  |                 | 64 MHz  | 9.219  | 9.70  | 11.03 | 12.94 | 16.31 | 11.05 | 14.58 | 21.79 | 30.39 | 44.44 |      |
|            |                                      |  |                 | 48 MHz  | 6.98   | 7.44  | 8.77  | 10.63 | 13.98 | 8.79  | 12.31 | 19.5  | 28.16 | 42.12 |      |
|            |                                      |  |                 | 32 MHz  | 4.746  | 5.19  | 6.48  | 8.33  | 11.65 | 6.54  | 10.04 | 17.2  | 25.84 | 39.83 |      |
|            |                                      |  |                 | 24 MHz  | 3.62   | 4.06  | 5.33  | 7.17  | 10.49 | 5.42  | 8.9   | 16.05 | 24.67 | 38.64 |      |
| IDD(LPRun) | Supply current in Low-power run mode | fHCLK = fMSI all peripherals disabled FLASH in power-down                                    | 2 MHz           | 386.41  | 774.71 | 1901  | 3546  | 6475  | 1946  | 2886  | 7270  | 11761 | 20360 | μA    |      |
|            |                                      |  | 1 MHz           | 276.23  | 635.13 | 1767  | 3445  | 6360  | 1829  | 2796  | 6688  | 12192 | 20188 |       |      |
|            |                                      |  | 400 KHz         | 196.75  | 552.97 | 1679  | 3339  | 6278  | 1757  | 2749  | 6961  | 11520 | 19976 |       |      |
|            |                                      |  | 100 KHz         | 146.57  | 513.87 | 1644  | 3299  | 6249  | 1373  | 2313  | 5697  | 10033 | 17534 |       |      |



**Table 48. Current consumption in Run mode, code with data processing running from SRAM2 and power supplied by internal SMPS step down converter**

| Symbol       | Parameter                  | Conditions   |                         |         | TYP   |       |       |       |       | MAX   |       |       |       |       | Unit |
|--------------|----------------------------|--|-------------------------|---------|-------|-------|-------|-------|-------|-------|-------|-------|-------|-------|------|
|              |                            | -  | Voltage scaling         | fHCLK   | 25°C  | 55°C  | 85°C  | 105°C | 125°C | 25°C  | 55°C  | 85°C  | 105°C | 125°C |      |
| IDD<br>(Run) | Supply current in Run mode | fHCLK = fHSE up to 48 MHz included, bypass mode PLL ON above 48 MHz all peripherals disabled | Range 2<br>SMPS LP mode | 26 MHz  | 1.86  | 1.96  | 2.43  | 3.12  | 4.43  | 2.22  | 3.49  | 6.48  | 10.14 | 15.89 | mA   |
|              |                            |  |                         | 16 MHz  | 1.22  | 1.33  | 1.79  | 2.50  | 3.75  | 1.61  | 2.87  | 5.83  | 9.48  | 15.21 |      |
|              |                            |  |                         | 8 MHz   | 0.71  | 0.83  | 1.28  | 1.99  | 3.24  | 1.11  | 2.37  | 5.32  | 8.95  | 14.64 |      |
|              |                            |  |                         | 4 MHz   | 0.456 | 0.58  | 1.03  | 1.74  | 2.99  | 0.86  | 2.12  | 5.07  | 8.69  | 14.36 |      |
|              |                            |  |                         | 2 MHz   | 0.32  | 0.46  | 0.90  | 1.60  | 2.86  | 0.74  | 1.99  | 4.94  | 8.56  | 14.22 |      |
|              |                            |  |                         | 1 MHz   | 0.26  | 0.40  | 0.84  | 1.54  | 2.79  | 0.71  | 1.96  | 4.9   | 8.52  | 14.18 |      |
|              |                            |  |                         | 100 KHz | 0.20  | 0.34  | 0.78  | 1.49  | 2.73  | 0.62  | 1.87  | 4.81  | 8.43  | 14.07 |      |
|              |                            |  | Range 0<br>SMPS HP mode | 110 MHz | 11.04 | 11.78 | 12.75 | 14.05 | 16.87 | 12.16 | 14.52 | 19.77 | 25.94 | 35.47 |      |
|              |                            |  | Range 1<br>SMPS HP mode | 80 MHz  | 7.00  | 7.29  | 8.40  | 9.44  | 11.33 | 8.23  | 10.44 | 14.63 | 19.73 | 27.8  |      |
|              |                            |  |                         | 72 MHz  | 6.34  | 6.62  | 7.64  | 8.72  | 10.59 | 7.49  | 9.79  | 13.98 | 19.05 | 27.08 |      |
|              |                            |  |                         | 64 MHz  | 5.68  | 5.95  | 6.82  | 8.00  | 9.86  | 6.8   | 8.97  | 13.41 | 18.39 | 26.39 |      |
|              |                            |  |                         | 48 MHz  | 4.35  | 4.61  | 5.30  | 6.51  | 8.38  | 5.39  | 7.53  | 12.27 | 17.03 | 24.99 |      |
|              |                            |  |                         | 32 MHz  | 3.02  | 3.26  | 3.91  | 4.89  | 6.89  | 3.98  | 6.11  | 10.94 | 15.72 | 23.52 |      |
|              |                            |  |                         | 24 MHz  | 2.35  | 2.58  | 3.22  | 4.18  | 6.11  | 3.28  | 5.4   | 10.17 | 15.11 | 22.8  |      |
|              |                            |  |                         | 16 MHz  | 1.68  | 1.90  | 2.53  | 3.49  | 5.31  | 2.58  | 4.68  | 9.42  | 14.54 | 22.09 |      |

**Table 49. Typical current consumption in Run and Low-power run modes, with different codes running from Flash, ICACHE ON (2-way)**

| Symbol      | Parameter                       | Conditions   |                           |              | TYP<br>Single<br>Bank<br>Mode | TYP<br>Dual<br>Bank<br>Mode | Unit | TYP<br>Single<br>Bank<br>Mode | TYP<br>Dual<br>Bank<br>Mode | Unit   |
|-------------|---------------------------------|--|---------------------------|--------------|-------------------------------|-----------------------------|------|-------------------------------|-----------------------------|--------|
|             |                                 | -  | Voltage scaling           | Code         | 25°C                          | 25°C                        |      | 25°C                          | 25°C                        |        |
| IDD (Run)   | Supply current in Run mode      | fHCLK=fHSE up to 48 MHz included, bypass mode PLL ON above 48 MHz all peripherals disabled | Range2<br>fHCLK=26MHz     | Reduced code | 3.20                          | 3.19                        | mA   | 123                           | 123                         | µA/MHz |
|             |                                 |  |                           | Coremark     | 3.43                          | 3.43                        |      | 132                           | 132                         |        |
|             |                                 |  |                           | Dhrystone2.1 | 3.66                          | 3.64                        |      | 141                           | 140                         |        |
|             |                                 |  |                           | Fibonacci    | 3.06                          | 3.05                        |      | 118                           | 117                         |        |
|             |                                 |  |                           | While        | 2.77                          | 2.77                        |      | 106                           | 106                         |        |
|             |                                 |  | Range 1<br>fHCLK=80 MHz   | Reduced code | 11.4                          | 11.4                        | mA   | 143                           | 142                         | µA/MHz |
|             |                                 |  |                           | Coremark     | 12.2                          | 12.2                        |      | 153                           | 153                         |        |
|             |                                 |  |                           | Dhrystone2.1 | 13.1                          | 13.0                        |      | 163                           | 163                         |        |
|             |                                 |  |                           | Fibonacci    | 10.8                          | 10.8                        |      | 135                           | 135                         |        |
|             |                                 |  |                           | While        | 9.9                           | 9.9                         |      | 123                           | 123                         |        |
|             |                                 |  | Range 0<br>fHCLK= 110 MHz | Reduced code | 16.7                          | 16.7                        | mA   | 152                           | 152                         | µA/MHz |
|             |                                 |  |                           | Coremark     | 18.0                          | 18.0                        |      | 163                           | 163                         |        |
|             |                                 |  |                           | Dhrystone2.1 | 19.1                          | 19.0                        |      | 174                           | 173                         |        |
|             |                                 |  |                           | Fibonacci    | 15.8                          | 15.8                        |      | 143                           | 143                         |        |
|             |                                 |  |                           | While        | 14.5                          | 14.5                        |      | 131                           | 131                         |        |
| IDD (LPRun) | Supply current in Low-power run | fHCLK = fMSI = 2 MHz all peripherals disabled  | Reduced code              | 424          | 403                           | µA                          | 212  | 201                           | µA/MHz                      |        |
|             |                                 |  | Coremark                  | 447          | 415                           |                             | 224  | 207                           |                             |        |
|             |                                 |  | Dhrystone2.1              | 477          | 432                           |                             | 239  | 216                           |                             |        |
|             |                                 |  | Fibonacci                 | 427          | 383                           |                             | 214  | 192                           |                             |        |
|             |                                 |  | While                     | 350          | 369                           |                             | 175  | 185                           |                             |        |



**Table 50. Typical current consumption in Run mode with SMPS, with different codes running from Flash, ICACHE ON (2-way)**

| Symbol       | Parameter                     | Conditions   |                                       |                 | TYP<br>Single<br>Bank<br>Mode | TYP<br>Dual<br>Bank<br>Mode | Unit | TYP<br>Single<br>Bank<br>Mode | TYP<br>Dual<br>Bank<br>Mode | Unit   |
|--------------|-------------------------------|--|---------------------------------------|-----------------|-------------------------------|-----------------------------|------|-------------------------------|-----------------------------|--------|
|              |                               | -  | Voltage scaling                       | Code            | 25°C                          | 25°C                        | -    | 25°C                          | 25°C                        | -      |
| IDD<br>(Run) | Supply current in<br>Run mode | fHCLK=fHSE up to<br>48 MHz included,<br>bypass mode PLL ON<br>above 48 MHz all<br>peripherals disabled | Range2, SMPS<br>LP<br>fHCLK=26 MHz    | Reduced<br>code | 1.88                          | 1.85                        | mA   | 72                            | 71                          | μA/MHz |
|              |                               |  |                                       | Coremark        | 2.00                          | 1.98                        |      | 77                            | 76                          |        |
|              |                               |  |                                       | Dhrystone2.1    | 2.13                          | 2.09                        |      | 82                            | 81                          |        |
|              |                               |  |                                       | Fibonacci       | 1.79                          | 1.77                        |      | 69                            | 68                          |        |
|              |                               |  |                                       | While           | 1.65                          | 1.64                        |      | 64                            | 63                          |        |
|              |                               |  | Range 1, SMPS<br>HP<br>fHCLK=80 MHz   | Reduced<br>code | 7.0                           | 7.0                         | mA   | 88                            | 87                          | μA/MHz |
|              |                               |  |                                       | Coremark        | 7.5                           | 7.5                         |      | 94                            | 93                          |        |
|              |                               |  |                                       | Dhrystone2.1    | 8.0                           | 7.9                         |      | 100                           | 99                          |        |
|              |                               |  |                                       | Fibonacci       | 6.7                           | 6.6                         |      | 83                            | 83                          |        |
|              |                               |  | Range 0, SMPS<br>HP<br>fHCLK= 110 MHz | Reduced<br>code | 11.2                          | 11.1                        | mA   | 102                           | 101                         | μA/MHz |
|              |                               |  |                                       | Coremark        | 12.2                          | 12.1                        |      | 111                           | 110                         |        |
|              |                               |  |                                       | Dhrystone2.1    | 13.0                          | 12.9                        |      | 118                           | 117                         |        |
|              |                               |  |                                       | Fibonacci       | 10.6                          | 10.6                        |      | 97                            | 96                          |        |
|              |                               |  |                                       | While           | 9.3                           | 9.3                         |      | 85                            | 84                          |        |

**Table 51. Typical current consumption in Run and Low-power run modes, with different codes running from Flash, ICACHE ON (1-way)**

| Symbol             | Parameter                       | Conditions   |                           |              | TYP<br>Single Bank<br>Mode | TYP<br>Dual<br>Bank<br>Mode | Unit | TYP<br>Single<br>Bank<br>Mode | TYP<br>Dual<br>Bank<br>Mode | Unit   |
|--------------------|---------------------------------|--|---------------------------|--------------|----------------------------|-----------------------------|------|-------------------------------|-----------------------------|--------|
|                    |                                 | -  | Voltage scaling           | Code         | 25°C                       | 25°C                        |      | 25°C                          | 25°C                        |        |
| IDD<br>(Run)       | Supply current in Run mode      | fHCLK=fHSE up to 48 MHz included, bypass mode PLL ON above 48 MHz all peripherals disabled | Range2<br>fHCLK=26 MHz    | Reduced code | 3.10                       | 3.10                        | mA   | 119                           | 119                         | μA/MHz |
|                    |                                 |  |                           | Coremark     | 3.26                       | 3.26                        |      | 125                           | 125                         |        |
|                    |                                 |  |                           | Dhrystone2.1 | 3.48                       | 3.47                        |      | 134                           | 133                         |        |
|                    |                                 |  |                           | Fibonacci    | 2.95                       | 2.95                        |      | 114                           | 113                         |        |
|                    |                                 |  |                           | While        | 2.73                       | 2.72                        |      | 105                           | 105                         |        |
|                    |                                 |  | Range 1<br>fHCLK=80 MHz   | Reduced code | 11.0                       | 11.0                        | mA   | 138                           | 138                         | μA/MHz |
|                    |                                 |  |                           | Coremark     | 11.6                       | 11.6                        |      | 145                           | 145                         |        |
|                    |                                 |  |                           | Dhrystone2.1 | 12.4                       | 12.4                        |      | 155                           | 155                         |        |
|                    |                                 |  |                           | Fibonacci    | 10.4                       | 10.4                        |      | 130                           | 130                         |        |
|                    |                                 |  |                           | While        | 9.7                        | 9.7                         |      | 121                           | 121                         |        |
|                    |                                 |  | Range 0<br>fHCLK= 110 MHz | Reduced code | 16.1                       | 16.1                        | mA   | 147                           | 147                         | μA/MHz |
|                    |                                 |  |                           | Coremark     | 17.0                       | 17.0                        |      | 154                           | 154                         |        |
|                    |                                 |  |                           | Dhrystone2.1 | 18.2                       | 18.1                        |      | 165                           | 164                         |        |
|                    |                                 |  |                           | Fibonacci    | 15.2                       | 15.2                        |      | 138                           | 138                         |        |
|                    |                                 |  |                           | While        | 14.2                       | 14.2                        |      | 129                           | 129                         |        |
| IDD<br>(LPRu<br>n) | Supply current in Low-power run | fHCLK = fMSI = 2 MHz all peripherals disabled  | Reduced code              | 416          | 395                        | μA                          | 208  | 198                           | μA/MHz                      |        |
|                    |                                 |  | Coremark                  | 425          | 389                        |                             | 213  | 194                           |                             |        |
|                    |                                 |  | Dhrystone2.1              | 451          | 405                        |                             | 226  | 203                           |                             |        |
|                    |                                 |  | Fibonacci                 | 392          | 375                        |                             | 196  | 188                           |                             |        |
|                    |                                 |  | While                     | 355          | 372                        |                             | 178  | 186                           |                             |        |





**Table 52. Typical current consumption in Run mode with SMPS, with different codes running from Flash, ICACHE ON (1-way)**

| Symbol       | Parameter                  | Conditions   |                                |              | TYP<br>Single<br>Bank<br>Mode | TYP<br>Dual<br>Bank<br>Mode | Unit | TYP<br>Single<br>Bank<br>Mode | TYP<br>Dual<br>Bank<br>Mode | Unit   |
|--------------|----------------------------|--|--------------------------------|--------------|-------------------------------|-----------------------------|------|-------------------------------|-----------------------------|--------|
|              |                            | -  | Voltage<br>scaling             | Code         | 25°C                          | 25°C                        |      | 25°C                          | 25°C                        |        |
| IDD<br>(Run) | Supply current in Run mode | fHCLK=fHSE up to 48 MHz included, bypass mode PLL ON above 48 MHz all peripherals disabled | Range2, SMPS LP fHCLK=26 MHz   | Reduced code | 1.82                          | 1.80                        | mA   | 70                            | 69                          | µA/MHz |
|              |                            |  |                                | Coremark     | 1.91                          | 1.89                        |      | 73                            | 73                          |        |
|              |                            |  |                                | Dhrystone2.1 | 2.03                          | 2.00                        |      | 78                            | 77                          |        |
|              |                            |  |                                | Fibonacci    | 1.74                          | 1.72                        |      | 67                            | 66                          |        |
|              |                            |  |                                | While        | 1.63                          | 1.61                        |      | 63                            | 62                          |        |
|              |                            |  | Range 1, SMPS HP fHCLK=80 MHz  | Reduced code | 6.8                           | 6.8                         | mA   | 85                            | 84                          | µA/MHz |
|              |                            |  |                                | Coremark     | 7.1                           | 7.1                         |      | 89                            | 88                          |        |
|              |                            |  |                                | Dhrystone2.1 | 7.6                           | 7.6                         |      | 95                            | 94                          |        |
|              |                            |  |                                | Fibonacci    | 6.4                           | 6.4                         |      | 80                            | 80                          |        |
|              |                            |  | Range 0, SMPS HP fHCLK=110 MHz | While        | 6.0                           | 6.0                         | mA   | 75                            | 75                          | µA/MHz |
|              |                            |  |                                | Reduced code | 10.8                          | 10.5                        |      | 98                            | 96                          |        |
|              |                            |  |                                | Coremark     | 11.5                          | 11.4                        |      | 105                           | 104                         |        |
|              |                            |  |                                | Dhrystone2.1 | 12.4                          | 12.2                        |      | 112                           | 111                         |        |
|              |                            |  |                                | Fibonacci    | 10.0                          | 10.0                        |      | 91                            | 91                          |        |
|              |                            |  | While                          | 9.2          | 9.1                           | 83                          | 83   |                               |                             |        |

**Table 53. Typical current consumption in Run and Low-power run modes, with different codes running from Flash, ICACHE disabled**

| Symbol      | Parameter                       | Conditions   |                           |              |                  |                | Unit | TYP              | TYP            | Unit   |
|-------------|---------------------------------|--|---------------------------|--------------|------------------|----------------|------|------------------|----------------|--------|
|             |                                 | -  | Voltage scaling           | Code         | Single Bank Mode | Dual Bank Mode |      | Single Bank Mode | Dual Bank Mode |        |
|             |                                 |  |                           |              | 25°C             | 25°C           |      | 25°C             | 25°C           |        |
| IDD (Run)   | Supply current in Run mode      | fHCLK=fHSE up to 48 MHz included, bypass mode PLL ON above 48 MHz all peripherals disabled | Range2<br>fHCLK=26 MHz    | Reduced code | 4.08             | 4.17           | mA   | 157              | 160            | µA/MHz |
|             |                                 |  |                           | Coremark     | 4.42             | 4.22           |      | 170              | 162            |        |
|             |                                 |  |                           | Dhrystone2.1 | 4.56             | 4.41           |      | 175              | 170            |        |
|             |                                 |  |                           | Fibonacci    | 3.62             | 3.55           |      | 139              | 137            |        |
|             |                                 |  |                           | While        | 3.04             | 3.14           |      | 117              | 121            |        |
|             |                                 |  | Range 1 fHCLK=80 MHz      | Reduced code | 14.1             | 13.9           | mA   | 176              | 174            | µA/MHz |
|             |                                 |  |                           | Coremark     | 13.6             | 12.2           |      | 171              | 152            |        |
|             |                                 |  |                           | Dhrystone2.1 | 12.5             | 12.5           |      | 156              | 156            |        |
|             |                                 |  |                           | Fibonacci    | 12.1             | 11.3           |      | 151              | 142            |        |
|             |                                 |  |                           | While        | 10.9             | 11.3           |      | 136              | 141            |        |
|             |                                 |  | Range 0<br>fHCLK= 110 MHz | Reduced code | 18.8             | 17.2           | mA   | 171              | 156            | µA/MHz |
|             |                                 |  |                           | Coremark     | 17.5             | 15.2           |      | 159              | 138            |        |
|             |                                 |  |                           | Dhrystone2.1 | 17.7             | 15.5           |      | 161              | 141            |        |
|             |                                 |  |                           | Fibonacci    | 16.6             | 15.1           |      | 151              | 138            |        |
|             |                                 |  |                           | While        | 15.9             | 16.5           |      | 145              | 150            |        |
| IDD(LPR un) | Supply current in Low-power run | fHCLK = fMSI = 2MHz all peripherals disabled   | Reduced code              | 511          | 484              | µA             | 255  | 242              | µA/MHz         |        |
|             |                                 |  | Coremark                  | 577          | 550              |                | 289  | 275              |                |        |
|             |                                 |  | Dhrystone2.1              | 599          | 551              |                | 299  | 275              |                |        |
|             |                                 |  | Fibonacci                 | 470          | 462              |                | 235  | 231              |                |        |
|             |                                 |  | While                     | 416          | 398              |                | 208  | 199              |                |        |



**Table 54. Typical current consumption in Run mode with internal SMPS,  
with different codes running from Flash, ICACHE disabled**

| Symbol       | Parameter                  | Conditions   |                                    |              | TYP<br>Single<br>Bank<br>Mode | TYP<br>Dual<br>Bank<br>Mode | Unit | TYP<br>Single<br>Bank<br>Mode | TYP<br>Dual<br>Bank<br>Mode | Unit   |
|--------------|----------------------------|--|------------------------------------|--------------|-------------------------------|-----------------------------|------|-------------------------------|-----------------------------|--------|
|              |                            | -  | Voltage scaling                    | Code         | 25°C                          | 25°C                        |      | 25°C                          | 25°C                        |        |
| IDD<br>(Run) | Supply current in Run mode | fHCLK=fHSE up to 48 MHz included, bypass mode PLL ON above 48 MHz all peripherals disabled | Range2, SMPS LP<br>fHCLK=26 MHz    | Reduced code | 2.38                          | 2.41                        | mA   | 92                            | 93                          | μA/MHz |
|              |                            |  |                                    | Coremark     | 2.59                          | 2.44                        |      | 100                           | 94                          |        |
|              |                            |  |                                    | Dhrystone2.1 | 2.67                          | 2.55                        |      | 103                           | 98                          |        |
|              |                            |  |                                    | Fibonacci    | 2.13                          | 2.07                        |      | 82                            | 79                          |        |
|              |                            |  |                                    | While        | 1.80                          | 1.86                        |      | 69                            | 72                          |        |
|              |                            |  | Range 1, SMPS HP<br>fHCLK=80 MHz   | Reduced code | 8.7                           | 8.5                         | mA   | 109                           | 107                         | μA/MHz |
|              |                            |  |                                    | Coremark     | 8.4                           | 7.5                         |      | 106                           | 93                          |        |
|              |                            |  |                                    | Dhrystone2.1 | 8.6                           | 7.7                         |      | 107                           | 96                          |        |
|              |                            |  |                                    | Fibonacci    | 7.5                           | 7.0                         |      | 93                            | 87                          |        |
|              |                            |  | Range 0, SMPS HP<br>fHCLK= 110 MHz | While        | 6.8                           | 7.0                         | mA   | 84                            | 87                          | μA/MHz |
|              |                            |  |                                    | Reduced code | 12.9                          | 11.6                        |      | 117                           | 105                         |        |
|              |                            |  |                                    | Coremark     | 11.9                          | 10.1                        |      | 109                           | 92                          |        |
|              |                            |  |                                    | Dhrystone2.1 | 12.0                          | 10.4                        |      | 109                           | 94                          |        |
|              |                            |  |                                    | Fibonacci    | 11.3                          | 10.1                        |      | 102                           | 92                          |        |
|              |                            |  |                                    |              |                               | While                       | 10.7 | 11.1                          |                             | 97     |

**Table 55. Typical current consumption in Run and Low-power run modes, with different codes running from SRAM1**

| Symbol     | Parameter                       | Conditions   |                           |              | TYP   | Unit | TYP    | Unit   |
|------------|---------------------------------|--|---------------------------|--------------|-------|------|--------|--------|
|            |                                 | -  | Voltage scaling           | Code         | 25°C  |      | 25°C   |        |
| IDD (Run)  | Supply current in Run mode      | fHCLK=fHSE up to 48 MHz included, bypass mode PLL ON above 48 MHz all peripherals disabled | Range2<br>fHCLK=26MHz     | Reduced code | 3.26  | mA   | 125    | µA/MHz |
|            |                                 |  |                           | Coremark     | 3.41  |      | 131    |        |
|            |                                 |  |                           | Dhrystone2.1 | 3.35  |      | 129    |        |
|            |                                 |  |                           | Fibonacci    | 3.50  |      | 134    |        |
|            |                                 |  |                           | While        | 3.82  |      | 147    |        |
|            |                                 |  | Range 1 fHCLK=80 MHz      | Reduced code | 11.6  | mA   | 145    | µA/MHz |
|            |                                 |  |                           | Coremark     | 12.22 |      | 153    |        |
|            |                                 |  |                           | Dhrystone2.1 | 11.9  |      | 149    |        |
|            |                                 |  |                           | Fibonacci    | 12.5  |      | 157    |        |
|            |                                 |  |                           | While        | 13.93 |      | 174    |        |
|            |                                 |  | Range 0<br>fHCLK= 110 MHz | Reduced code | 17.0  | mA   | 154    | µA/MHz |
|            |                                 |  |                           | Coremark     | 17.88 |      | 163    |        |
|            |                                 |  |                           | Dhrystone2.1 | 17.4  |      | 159    |        |
|            |                                 |  |                           | Fibonacci    | 18.3  |      | 166    |        |
|            |                                 |  |                           | While        | 20.4  |      | 186    |        |
| IDD(LPRun) | Supply current in Low-power run | fHCLK = fMSI = 2MHz all peripherals disabled   | Reduced code              | 385          | µA    | 193  | µA/MHz |        |
|            |                                 |  | Coremark                  | 421          |       | 211  |        |        |
|            |                                 |  | Dhrystone2.1              | 384          |       | 192  |        |        |
|            |                                 |  | Fibonacci                 | 409          |       | 204  |        |        |
|            |                                 |  | While                     | 442          |       | 221  |        |        |



**Table 56. Typical current consumption in Run mode with internal SMPS,  
with different codes running from SRAM1**

| Symbol    | Parameter                  | Conditions   |                               |              | TYP   | Unit | TYP  | Unit   |
|-----------|----------------------------|--|-------------------------------|--------------|-------|------|------|--------|
|           |                            | -  | Voltage scaling               | Code         | 25°C  |      | 25°C |        |
| IDD (Run) | Supply current in Run mode | fHCLK=fHSE up to 48 MHz included, bypass mode PLL ON above 48 MHz all peripherals disabled | Range2, LP<br>fHCLK=26MHz     | Reduced code | 1.89  | mA   | 73   | μA/MHz |
|           |                            |  |                               | Coremark     | 1.9   |      | 73   |        |
|           |                            |  |                               | Dhrystone2.1 | 1.94  |      | 75   |        |
|           |                            |  |                               | Fibonacci    | 2.01  |      | 77   |        |
|           |                            |  |                               | While        | 2.22  |      | 85   |        |
|           |                            |  | Range 1, HP<br>fHCLK=80 MHz   | Reduced code | 7.1   | mA   | 89   | μA/MHz |
|           |                            |  |                               | Coremark     | 7.25  |      | 91   |        |
|           |                            |  |                               | Dhrystone2.1 | 7.3   |      | 91   |        |
|           |                            |  |                               | Fibonacci    | 7.6   |      | 95   |        |
|           |                            |  |                               | While        | 8.51  |      | 106  |        |
|           |                            |  | Range 0, HP<br>fHCLK= 110 MHz | Reduced code | 11.3  | mA   | 103  | μA/MHz |
|           |                            |  |                               | Coremark     | 11.32 |      | 103  |        |
|           |                            |  |                               | Dhrystone2.1 | 11.7  |      | 107  |        |
|           |                            |  |                               | Fibonacci    | 12.3  |      | 112  |        |
|           |                            |  |                               | While        | 13.9  |      | 126  |        |

**Table 57. Typical current consumption in Run and Low-power run modes, with different codes running from SRAM2**

| Symbol      | Parameter                       | Conditions   |                           |              | TYP   | Unit | TYP    | Unit   |
|-------------|---------------------------------|--|---------------------------|--------------|-------|------|--------|--------|
|             |                                 | -  | Voltage scaling           | Code         | 25°C  |      | 25°C   |        |
| IDD (Run)   | Supply current in Run mode      | fHCLK=fHSE up to 48 MHz included, bypass mode PLL ON above 48 MHz all peripherals disabled | Range2<br>fHCLK=26MHz     | Reduced code | 3.20  | mA   | 123    | μA/MHz |
|             |                                 |  |                           | Coremark     | 3.33  |      | 128    |        |
|             |                                 |  |                           | Dhrystone2.1 | 3.20  |      | 123    |        |
|             |                                 |  |                           | Fibonacci    | 3.34  |      | 129    |        |
|             |                                 |  |                           | While        | 3.66  |      | 141    |        |
|             |                                 |  | Range 1<br>fHCLK=80 MHz   | Reduced code | 11.4  | mA   | 143    | μA/MHz |
|             |                                 |  |                           | Coremark     | 11.92 |      | 149    |        |
|             |                                 |  |                           | Dhrystone2.1 | 11.4  |      | 142    |        |
|             |                                 |  |                           | Fibonacci    | 12.0  |      | 149    |        |
|             |                                 |  |                           | While        | 13.24 |      | 165    |        |
|             |                                 |  | Range 0<br>fHCLK= 110 MHz | Reduced code | 16.7  | mA   | 152    | μA/MHz |
|             |                                 |  |                           | Coremark     | 17.44 |      | 159    |        |
|             |                                 |  |                           | Dhrystone2.1 | 16.6  |      | 151    |        |
|             |                                 |  |                           | Fibonacci    | 17.5  |      | 159    |        |
|             |                                 |  |                           | While        | 19.5  |      | 177    |        |
| IDD (LPRun) | Supply current in Low-power run | fHCLK = fMSI = 2MHz all peripherals disabled   | Reduced code              | 386          | μA    | 193  | μA/MHz |        |
|             |                                 |  | Coremark                  | 414          |       | 207  |        |        |
|             |                                 |  | Dhrystone2.1              | 373          |       | 187  |        |        |
|             |                                 |  | Fibonacci                 | 393          |       | 196  |        |        |
|             |                                 |  | While                     | 436          |       | 218  |        |        |



**Table 58. Typical current consumption in Run mode with internal SMPS,  
with different codes running from SRAM2**

| Symbol    | Parameter                  | Conditions  |                               |              | TYP  | Unit | TYP  | Unit   |
|-----------|----------------------------|---|-------------------------------|--------------|------|------|------|--------|
|           |                            | -   | Voltage scaling               | Code         | 25°C |      | 25°C |        |
| IDD (Run) | Supply current in Run mode | fHCLK=fHSE up to 48 MHz included, bypass mode<br>PLL ON above 48 MHz all peripherals disabled | Range2, LP<br>fHCLK=26MHz     | Reduced code | 1.90 | mA   | 73   | μA/MHz |
|           |                            |   |                               | Coremark     | 2.08 |      | 80   |        |
|           |                            |   |                               | Dhrystone2.1 | 1.90 |      | 73   |        |
|           |                            |   |                               | Fibonacci    | 1.98 |      | 76   |        |
|           |                            |   |                               | While        | 2.14 |      | 82   |        |
|           |                            |   | Range 1,HP<br>fHCLK=80 MHz    | Reduced code | 7.0  | mA   | 88   | μA/MHz |
|           |                            |   |                               | Coremark     | 7.0  |      | 88   |        |
|           |                            |   |                               | Dhrystone2.1 | 7.0  |      | 87   |        |
|           |                            |   |                               | Fibonacci    | 7.3  |      | 92   |        |
|           |                            |   |                               | While        | 8.05 |      | 101  |        |
|           |                            |   | Range 0, HP<br>fHCLK= 110 MHz | Reduced code | 11.0 | mA   | 100  | μA/MHz |
|           |                            |   |                               | Coremark     | 11.1 |      | 101  |        |
|           |                            |   |                               | Dhrystone2.1 | 11.2 |      | 102  |        |
|           |                            |   |                               | Fibonacci    | 11.8 |      | 108  |        |
|           |                            |   |                               | While        | 13.1 |      | 119  |        |



**Table 59. Current consumption in Sleep and Low-power sleep mode, Flash ON**

| Symbol        | Parameter                              | Conditions  |                 |         | TYP    |        |      |       |       | MAX  |       |       |       |       | Unit |
|---------------|--|---|-----------------|---------|--------|--------|------|-------|-------|------|-------|-------|-------|-------|------|
|               |  | -   | Voltage scaling | fHCLK   | 25°C   | 55°C   | 85°C | 105°C | 125°C | 25°C | 55°C  | 85°C  | 105°C | 125°C |      |
| IDD (Sleep)   | Supply current in Sleep mode           | fHCLK = fHSE up to 48MHz included, bypass mode PLL ON above 48 MHz all peripherals disabled | Range 2         | 26 MHz  | 1.04   | 1.37   | 2.36 | 3.88  | 6.62  | 2.25 | 4.69  | 9.93  | 16.57 | 27.36 | mA   |
|               |  |   |                 | 16 MHz  | 0.72   | 1.04   | 2.04 | 3.55  | 6.30  | 1.93 | 4.36  | 9.60  | 16.23 | 27.00 |      |
|               |  |   |                 | 8 MHz   | 0.46   | 0.79   | 1.78 | 3.29  | 6.01  | 1.67 | 4.10  | 9.33  | 15.95 | 26.70 |      |
|               |  |   |                 | 4 MHz   | 0.33   | 0.65   | 1.65 | 3.14  | 5.85  | 1.54 | 3.97  | 9.19  | 15.80 | 26.55 |      |
|               |  |   |                 | 2 MHz   | 0.27   | 0.58   | 1.58 | 3.07  | 5.78  | 1.48 | 3.90  | 9.12  | 15.73 | 26.48 |      |
|               |  |   |                 | 1 MHz   | 0.24   | 0.55   | 1.55 | 3.03  | 5.73  | 1.46 | 3.88  | 9.11  | 15.72 | 26.46 |      |
|               |  |   |                 | 100 KHz | 0.211  | 0.52   | 1.52 | 3.01  | 5.72  | 1.42 | 3.84  | 9.06  | 15.67 | 26.41 |      |
|               |  |   | Range 0         | 110 MHz | 4.73   | 5.23   | 6.62 | 8.65  | 12.21 | 7.00 | 11.02 | 19.15 | 28.98 | 44.29 |      |
|               |  |   | Range 1         | 80 MHz  | 3.31   | 3.74   | 5.01 | 6.88  | 10.19 | 5.20 | 8.71  | 15.92 | 24.74 | 38.70 |      |
|               |  |   |                 | 72 MHz  | 3.01   | 3.44   | 4.71 | 6.56  | 9.86  | 4.90 | 8.40  | 15.61 | 24.42 | 38.36 |      |
|               |  |   |                 | 64 MHz  | 2.71   | 3.14   | 4.41 | 6.26  | 9.56  | 4.60 | 8.10  | 15.29 | 24.10 | 38.03 |      |
|               |  |   |                 | 48 MHz  | 2.10   | 2.53   | 3.79 | 5.62  | 8.92  | 3.98 | 7.47  | 14.66 | 23.45 | 37.38 |      |
|               |  |   |                 | 32 MHz  | 1.49   | 1.91   | 3.17 | 4.98  | 8.27  | 3.37 | 6.84  | 14.00 | 22.78 | 36.67 |      |
|               |  |   |                 | 24 MHz  | 1.18   | 1.60   | 2.84 | 4.67  | 7.93  | 3.06 | 6.52  | 13.68 | 22.44 | 36.32 |      |
|               |  |   | 16 MHz          | 0.88    | 1.29   | 2.53   | 4.34 | 7.60  | 2.75  | 6.21 | 13.35 | 22.10 | 35.96 |       |      |
| IDD(LPSI eep) | Supply current in Low-power sleep mode | fHCLK = fMSI all peripherals disabled   |                 | 2 MHz   | 205.22 | 584.41 | 1712 | 3383  | 6283  | 1843 | 4745  | 12643 | 19003 | 31504 | µA   |
|               |  |   |                 | 1 MHz   | 192.80 | 547.20 | 1678 | 3343  | 6248  | 1815 | 4665  | 12037 | 18615 | 31391 |      |
|               |  |   |                 | 400 KHz | 143.73 | 520.85 | 1655 | 3313  | 6222  | 1793 | 4567  | 11872 | 18346 | 30902 |      |
|               |  |   |                 | 100 KHz | 137.82 | 519.15 | 1650 | 3308  | 6219  | 1786 | 4554  | 11814 | 18206 | 30849 |      |




**Table 60. Current consumption in Low-power sleep mode, Flash in power-down**

| Symbol           | Parameter                              | Conditions                               |                 |         | TYP    |        |      |       |       | MAX  |      |       |       |       | Unit |
|------------------|--|--|-----------------|---------|--------|--------|------|-------|-------|------|------|-------|-------|-------|------|
|                  |  | -  | Voltage scaling | fHCLK   | 25°C   | 55°C   | 85°C | 105°C | 125°C | 25°C | 55°C | 85°C  | 105°C | 125°C |      |
| IDD<br>(LPSleep) | Supply current in Low-power sleep mode | fHCLK = fMSI<br>all peripherals disabled |                 | 2 MHz   | 197.64 | 567.40 | 1699 | 3374  | 6136  | 1839 | 4641 | 12810 | 20855 | 31559 | μA   |
|                  |  |  |                 | 1 MHz   | 165.99 | 540.66 | 1672 | 3313  | 6109  | 1805 | 4599 | 12189 | 20334 | 31071 |      |
|                  |  |  |                 | 400 KHz | 145.78 | 510.80 | 1640 | 3312  | 6084  | 1785 | 4578 | 10816 | 17908 | 30945 |      |
|                  |  |  |                 | 100 KHz | 143.34 | 506.41 | 1629 | 3288  | 6062  | 1423 | 3848 | 9087  | 15694 | 26452 |      |

**Table 61. Current consumption in Sleep mode,  
Flash ON and power supplied by internal SMPS step down converter**

| Symbol         | Parameter                    | Conditions  |                         |         | TYP  |      |      |       |       | MAX  |      |      |       |       | Unit |
|----------------|------------------------------|---|-------------------------|---------|------|------|------|-------|-------|------|------|------|-------|-------|------|
|                |                              | -   | Voltage scaling         | fHCLK   | 25°C | 55°C | 85°C | 105°C | 125°C | 25°C | 55°C | 85°C | 105°C | 125°C |      |
| IDD<br>(Sleep) | Supply current in Sleep mode | fHCLK = fHSE up to 48MHz included, bypass mode PLL ON above 48 MHz all peripherals disabled | Range 2<br>SMPS LP mode | 26 MHz  | 0.69 | 0.82 | 1.27 | 1.99  | 3.22  | 0.8  | 1.57 | 3.47 | 5.93  | 9.88  | mA   |
|                |                              |   |                         | 16 MHz  | 0.50 | 0.64 | 1.09 | 1.80  | 3.05  | 0.62 | 1.39 | 3.27 | 5.73  | 9.67  |      |
|                |                              |   |                         | 8 MHz   | 0.35 | 0.48 | 0.93 | 1.65  | 2.88  | 0.47 | 1.23 | 3.11 | 5.57  | 9.5   |      |
|                |                              |   |                         | 4 MHz   | 0.27 | 0.40 | 0.85 | 1.55  | 2.81  | 0.39 | 1.16 | 3.03 | 5.48  | 9.42  |      |
|                |                              |   |                         | 2 MHz   | 0.23 | 0.37 | 0.82 | 1.52  | 2.77  | 0.35 | 1.12 | 2.99 | 5.44  | 9.37  |      |
|                |                              |   |                         | 1 MHz   | 0.21 | 0.35 | 0.79 | 1.50  | 2.73  | 0.34 | 1.11 | 2.98 | 5.43  | 9.36  |      |
|                |                              |   |                         | 100 KHz | 0.20 | 0.33 | 0.78 | 1.48  | 2.73  | 0.32 | 1.08 | 2.95 | 5.4   | 9.33  |      |
|                |                              |   | Range 0<br>SMPS HP mode | 110 MHz | 3.22 | 3.49 | 4.24 | 5.40  | 7.70  | 3.81 | 5.39 | 9.01 | 12.92 | 19.03 |      |
|                |                              |   | Range 1<br>SMPS HP mode | 80 MHz  | 2.22 | 2.44 | 3.09 | 4.06  | 5.98  | 2.6  | 3.9  | 6.89 | 10.56 | 15.77 |      |
|                |                              |   |                         | 72 MHz  | 2.04 | 2.26 | 2.90 | 3.89  | 5.78  | 2.41 | 3.7  | 6.68 | 10.37 | 15.58 |      |
|                |                              |   |                         | 64 MHz  | 1.85 | 2.07 | 2.71 | 3.70  | 5.53  | 2.22 | 3.51 | 6.48 | 10.19 | 15.38 |      |
|                |                              |   |                         | 48 MHz  | 1.48 | 1.70 | 2.34 | 3.31  | 5.11  | 1.83 | 3.1  | 6.07 | 9.81  | 15    |      |
|                |                              |   |                         | 32 MHz  | 1.10 | 1.32 | 1.94 | 2.91  | 4.62  | 1.44 | 2.69 | 5.64 | 9.39  | 14.58 |      |
|                |                              |   |                         | 24 MHz  | 0.91 | 1.12 | 1.74 | 2.71  | 4.40  | 1.24 | 2.48 | 5.42 | 9.18  | 14.38 |      |
|                |                              |   | 16 MHz                  | 0.72    | 0.93 | 1.55 | 2.52 | 4.18  | 1.04  | 2.28 | 5.2  | 8.97 | 14.17 |       |      |



**Table 62. Current consumption in Run mode, code with data processing running from Flash in single bank, ICACHE ON in 2-way and power supplied by external SMPS**

| Symbol   | Parameter                  | Conditions <sup>(1)</sup>  |            |         | TYP  |      |      |       |       | Unit |
|----------|----------------------------|--|------------|---------|------|------|------|-------|-------|------|
|          |                            | -  | VDD12      | fHCLK   | 25°C | 55°C | 85°C | 105°C | 125°C |      |
| IDD(Run) | Supply current in Run mode | fHCLK = fHSE up to 48 MHz included, bypass mode PLL ON above 48 MHz all peripherals disabled | VDD12=1.2V | 110 MHz | 6.69 | 6.93 | 7.5  | 8.23  | 9.5   | mA   |
|          |                            |  | VDD12=1.1V | 80 MHz  | 4.1  | 4.77 | 5.28 | 5.94  | 7.1   |      |
|          |                            |  |            | 72 MHz  | 3.7  | 4.33 | 4.83 | 5.49  | 6.65  |      |
|          |                            |  |            | 64 MHz  | 3.31 | 3.88 | 4.38 | 5.04  | 6.18  |      |
|          |                            |  |            | 48 MHz  | 2.51 | 2.98 | 3.47 | 4.12  | 5.27  |      |
|          |                            |  |            | 32 MHz  | 1.7  | 2.08 | 2.55 | 3.2   | 4.32  |      |
|          |                            |  |            | 26 KHz  | 1.76 | 1.91 | 2.31 | 2.9   | 3.89  |      |
|          |                            |  |            | 16 MHz  | 1.14 | 1.29 | 1.69 | 2.25  | 3.26  |      |
|          |                            |  |            | 8 MHz   | 0.62 | 0.76 | 1.15 | 1.72  | 2.7   |      |
|          |                            |  |            | 4 MHz   | 0.35 | 0.49 | 0.88 | 1.45  | 2.44  |      |
|          |                            |  |            | 2 MHz   | 0.22 | 0.36 | 0.75 | 1.32  | 2.29  |      |
|          |                            |  |            | 1 MHz   | 0.16 | 0.29 | 0.69 | 1.25  | 2.23  |      |
| 100 KHz  | 0.1                        | 0.23   | 0.63       | 1.19    | 2.16 |      |      |       |       |      |

1. All values are obtained by calculation based on measurements done with internal voltage regulator and using following parameters: SMPS input = 3.3 V, SMPS efficiency = 85%.

**Table 63. Current consumption in Run mode, code with data processing running from Flash in single bank, ICACHE ON in 1-way and power supplied by external SMPS**

| Symbol   | Parameter                  | Conditions <sup>(1)</sup>  |            |         | TYP   |       |       |       |       | Unit |
|----------|----------------------------|--|------------|---------|-------|-------|-------|-------|-------|------|
|          |                            | -  | VDD12      | fHCLK   | 25°C  | 55°C  | 85°C  | 105°C | 125°C |      |
| IDD(Run) | Supply current in Run mode | fHCLK = fHSE up to 48 MHz included, bypass mode PLL ON above 48 MHz all peripherals disabled | VDD12=1.2V | 110 MHz | 6.47  | 6.71  | 7.28  | 8.03  | 9.28  | mA   |
|          |                            |  | VDD12=1.1V | 80 MHz  | 3.97  | 4.15  | 4.6   | 5.2   | 6.23  |      |
|          |                            |  |            | 72 MHz  | 3.58  | 3.76  | 4.21  | 4.81  | 5.82  |      |
|          |                            |  |            | 64 MHz  | 3.2   | 3.37  | 3.82  | 4.41  | 5.43  |      |
|          |                            |  |            | 48 MHz  | 2.43  | 2.59  | 3.02  | 3.61  | 4.62  |      |
|          |                            |  |            | 32 MHz  | 1.65  | 1.81  | 2.24  | 2.81  | 3.81  |      |
|          |                            |  |            | 26 KHz  | 1.337 | 1.484 | 1.885 | 2.455 | 3.455 |      |
|          |                            |  |            | 16 MHz  | 0.863 | 1.001 | 1.393 | 1.963 | 2.959 |      |
|          |                            |  |            | 8 MHz   | 0.479 | 0.613 | 1.005 | 1.57  | 2.558 |      |
|          |                            |  |            | 4 MHz   | 0.285 | 0.423 | 0.807 | 1.376 | 2.364 |      |
|          |                            |  |            | 2 MHz   | 0.185 | 0.324 | 0.712 | 1.281 | 2.26  |      |
|          |                            |  |            | 1 MHz   | 0.138 | 0.272 | 0.66  | 1.229 | 2.2   |      |
| 100 KHz  | 0.095                      | 0.229  | 0.617      | 1.186   | 2.161 |       |       |       |       |      |

1. All values are obtained by calculation based on measurements done with internal voltage regulator and using following parameters: SMPS input = 3.3 V, SMPS efficiency = 85%.



**Table 64. Current consumption in Run mode, code with data processing running from Flash in single bank, ICACHE disabled and power supplied by external SMPS**

| Symbol   | Parameter                  | Conditions <sup>(1)</sup>  |            |         | TYP   |       |       |       |       | Unit |
|----------|----------------------------|--|------------|---------|-------|-------|-------|-------|-------|------|
|          |                            | -  | VDD12      | fHCLK   | 25°C  | 55°C  | 85°C  | 105°C | 125°C |      |
| IDD(Run) | Supply current in Run mode | fHCLK = fHSE up to 48 MHz included, bypass mode PLL ON above 48 MHz all peripherals disabled | VDD12=1.2V | 110 MHz | 7.55  | 7.8   | 8.37  | 9.13  | 10.39 | mA   |
|          |                            |  | VDD12=1.1V | 80 MHz  | 5.07  | 5.26  | 5.72  | 6.34  | 7.36  |      |
|          |                            |  |            | 72 MHz  | 4.58  | 4.77  | 5.22  | 5.83  | 6.87  |      |
|          |                            |  |            | 64 MHz  | 4.24  | 4.42  | 4.87  | 5.48  | 6.5   |      |
|          |                            |  |            | 48 MHz  | 3.19  | 3.37  | 3.82  | 4.42  | 5.43  |      |
|          |                            |  |            | 32 MHz  | 2.2   | 2.37  | 2.8   | 3.39  | 4.4   |      |
|          |                            |  |            | 26 KHz  | 1.76  | 1.911 | 2.312 | 2.899 | 3.891 |      |
|          |                            |  |            | 16 MHz  | 1.143 | 1.285 | 1.687 | 2.252 | 3.257 |      |
|          |                            |  |            | 8 MHz   | 0.617 | 0.759 | 1.152 | 1.721 | 2.7   |      |
|          |                            |  |            | 4 MHz   | 0.354 | 0.492 | 0.884 | 1.449 | 2.437 |      |
|          |                            |  |            | 2 MHz   | 0.22  | 0.358 | 0.755 | 1.316 | 2.291 |      |
|          |                            |  |            | 1 MHz   | 0.155 | 0.293 | 0.686 | 1.247 | 2.226 |      |
| 100 KHz  | 0.099                      | 0.233  | 0.625      | 1.191   | 2.157 |       |       |       |       |      |

1. All values are obtained by calculation based on measurements done with internal voltage regulator and using following parameters: SMPS input = 3.3 V, SMPS efficiency = 85%.

**Table 65. Current consumption in Run mode, code with data processing running from Flash in dual bank, ICACHE on in 2-way and power supplied by external SMPS**

| Symbol   | Parameter                  | Conditions <sup>(1)</sup>  |            |         | TYP   |       |       |       |       | Unit |
|----------|----------------------------|--|------------|---------|-------|-------|-------|-------|-------|------|
|          |                            | -  | VDD12      | fHCLK   | 25°C  | 55°C  | 85°C  | 105°C | 125°C |      |
| IDD(Run) | Supply current in Run mode | fHCLK = fHSE up to 48 MHz included, bypass mode PLL ON above 48 MHz all peripherals disabled | VDD12=1.2V | 110 MHz | 6.69  | 6.93  | 7.56  | 8.41  | 9.93  | mA   |
|          |                            |  | VDD12=1.1V | 80 MHz  | 4.09  | 4.28  | 4.78  | 5.47  | 6.72  |      |
|          |                            |  |            | 72 MHz  | 3.7   | 3.88  | 4.37  | 5.06  | 6.3   |      |
|          |                            |  |            | 64 MHz  | 3.3   | 3.48  | 3.97  | 4.65  | 5.88  |      |
|          |                            |  |            | 48 MHz  | 2.5   | 2.67  | 3.15  | 3.82  | 5.04  |      |
|          |                            |  |            | 32 MHz  | 1.7   | 1.86  | 2.33  | 2.99  | 4.2   |      |
|          |                            |  |            | 26 KHz  | 1.147 | 1.269 | 1.643 | 2.189 | 3.189 |      |
|          |                            |  |            | 16 MHz  | 0.737 | 0.856 | 1.226 | 1.765 | 2.761 |      |
|          |                            |  |            | 8 MHz   | 0.406 | 0.521 | 0.888 | 1.424 | 2.412 |      |
|          |                            |  |            | 4 MHz   | 0.241 | 0.356 | 0.715 | 1.255 | 2.24  |      |
|          |                            |  |            | 2 MHz   | 0.158 | 0.273 | 0.633 | 1.168 | 2.15  |      |
|          |                            |  |            | 1 MHz   | 0.115 | 0.23  | 0.586 | 1.129 | 2.103 |      |
|          |                            |  |            | 100 KHz | 0.079 | 0.191 | 0.554 | 1.078 | 2.067 |      |

1. All values are obtained by calculation based on measurements done with internal voltage regulator and using following parameters: SMPS input = 3.3 V, SMPS efficiency = 85%.



**Table 66. Current consumption in Run mode, code with data processing running from Flash in dual bank, ICACHE on in 1-way and power supplied by external SMPS**

| Symbol   | Parameter                  | Conditions <sup>(1)</sup>  |            |         | TYP   |       |       |       |       | Unit |
|----------|----------------------------|--|------------|---------|-------|-------|-------|-------|-------|------|
|          |                            | -  | VDD12      | fHCLK   | 25°C  | 55°C  | 85°C  | 105°C | 125°C |      |
| IDD(Run) | Supply current in Run mode | fHCLK = fHSE up to 48 MHz included, bypass mode PLL ON above 48 MHz all peripherals disabled | VDD12=1.2V | 110 MHz | 6.47  | 6.72  | 7.34  | 8.02  | 9.68  | mA   |
|          |                            |  | VDD12=1.1V | 80 MHz  | 3.97  | 4.15  | 4.64  | 5.33  | 6.55  |      |
|          |                            |  |            | 72 MHz  | 3.58  | 3.76  | 4.25  | 4.94  | 6.15  |      |
|          |                            |  |            | 64 MHz  | 3.2   | 3.38  | 3.86  | 4.54  | 5.75  |      |
|          |                            |  |            | 48 MHz  | 2.42  | 2.59  | 3.06  | 3.74  | 4.95  |      |
|          |                            |  |            | 32 MHz  | 1.65  | 1.81  | 2.27  | 2.95  | 4.13  |      |
|          |                            |  |            | 26 KHz  | 1.114 | 1.237 | 1.603 | 2.157 | 3.153 |      |
|          |                            |  |            | 16 MHz  | 0.719 | 0.834 | 1.201 | 1.74  | 2.732 |      |
|          |                            |  |            | 8 MHz   | 0.399 | 0.514 | 0.877 | 1.416 | 2.401 |      |
|          |                            |  |            | 4 MHz   | 0.237 | 0.352 | 0.708 | 1.251 | 2.229 |      |
|          |                            |  |            | 2 MHz   | 0.155 | 0.273 | 0.629 | 1.165 | 2.15  |      |
|          |                            |  |            | 1 MHz   | 0.115 | 0.23  | 0.586 | 1.129 | 2.103 |      |
|          |                            |  |            | 100 KHz | 0.079 | 0.194 | 0.55  | 1.086 | 2.067 |      |

1. All values are obtained by calculation based on measurements done with internal voltage regulator and using following parameters: SMPS input = 3.3 V, SMPS efficiency = 85%.

**Table 67. Current consumption in Run mode, code with data processing running from Flash in dual bank, ICACHE disabled and power supplied by external SMPS**

| Symbol   | Parameter                  | Conditions <sup>(1)</sup>  |            |         | TYP   |       |       |       |       | Unit |
|----------|----------------------------|--|------------|---------|-------|-------|-------|-------|-------|------|
|          |                            | -  | VDD12      | fHCLK   | 25°C  | 55°C  | 85°C  | 105°C | 125°C |      |
| IDD(Run) | Supply current in Run mode | fHCLK = fHSE up to 48 MHz included, bypass mode PLL ON above 48 MHz all peripherals disabled | VDD12=1.2V | 110 MHz | 6.9   | 7.15  | 7.76  | 8.61  | 10.1  | mA   |
|          |                            |  | VDD12=1.1V | 80 MHz  | 5.01  | 5.21  | 5.7   | 6.4   | 7.63  |      |
|          |                            |  |            | 72 MHz  | 4.53  | 4.72  | 5.22  | 5.91  | 7.14  |      |
|          |                            |  |            | 64 MHz  | 4.25  | 4.44  | 4.94  | 5.63  | 6.85  |      |
|          |                            |  |            | 48 MHz  | 3.21  | 3.39  | 3.88  | 4.57  | 5.78  |      |
|          |                            |  |            | 32 MHz  | 2.25  | 2.42  | 2.89  | 3.57  | 4.77  |      |
|          |                            |  |            | 26 KHz  | 1.499 | 1.625 | 1.999 | 2.552 | 3.544 |      |
|          |                            |  |            | 16 MHz  | 0.985 | 1.107 | 1.474 | 2.024 | 3.02  |      |
|          |                            |  |            | 8 MHz   | 0.532 | 0.647 | 1.01  | 1.557 | 2.538 |      |
|          |                            |  |            | 4 MHz   | 0.302 | 0.421 | 0.776 | 1.316 | 2.301 |      |
|          |                            |  |            | 2 MHz   | 0.187 | 0.302 | 0.665 | 1.197 | 2.178 |      |
|          |                            |  |            | 1 MHz   | 0.133 | 0.248 | 0.604 | 1.147 | 2.117 |      |
| 100 KHz  | 0.079                      | 0.194  | 0.554      | 1.089   | 2.063 |       |       |       |       |      |

1. All values are obtained by calculation based on measurements done with internal voltage regulator and using following parameters: SMPS input = 3.3 V, SMPS efficiency = 85%.





**Table 68. Current consumption in Run mode, code with data processing running from SRAM1, and power supplied by external SMPS**

| Symbol   | Parameter                  | Conditions <sup>(1)</sup>  |            |         | TYP   |       |       |       |       | Unit |
|----------|----------------------------|--|------------|---------|-------|-------|-------|-------|-------|------|
|          |                            | -  | VDD12      | fHCLK   | 25°C  | 55°C  | 85°C  | 105°C | 125°C |      |
| IDD(Run) | Supply current in Run mode | fHCLK = fHSE up to 48 MHz included, bypass mode PLL ON above 48 MHz all peripherals disabled | VDD12=1.2V | 110 MHz | 6.81  | 7.05  | 7.66  | 8.51  | 10    | mA   |
|          |                            |  | VDD12=1.1V | 80 MHz  | 4.18  | 4.36  | 4.85  | 5.53  | 6.75  |      |
|          |                            |  |            | 72 MHz  | 3.78  | 3.95  | 4.43  | 5.12  | 6.34  |      |
|          |                            |  |            | 64 MHz  | 3.37  | 3.54  | 4.02  | 4.7   | 5.91  |      |
|          |                            |  |            | 48 MHz  | 2.55  | 2.72  | 3.19  | 3.86  | 5.07  |      |
|          |                            |  |            | 32 MHz  | 1.74  | 1.89  | 2.35  | 3.02  | 4.21  |      |
|          |                            |  |            | 26 KHz  | 1.172 | 1.294 | 1.661 | 2.204 | 3.21  |      |
|          |                            |  |            | 16 MHz  | 0.751 | 0.87  | 1.233 | 1.776 | 2.764 |      |
|          |                            |  |            | 8 MHz   | 0.413 | 0.532 | 0.892 | 1.427 | 2.419 |      |
|          |                            |  |            | 4 MHz   | 0.244 | 0.359 | 0.719 | 1.262 | 2.243 |      |
|          |                            |  |            | 2 MHz   | 0.158 | 0.273 | 0.633 | 1.168 | 2.15  |      |
|          |                            |  |            | 1 MHz   | 0.119 | 0.23  | 0.593 | 1.129 | 2.11  |      |
|          |                            |  |            | 100 KHz | 0.079 | 0.194 | 0.55  | 1.093 | 2.071 |      |

1. All values are obtained by calculation based on measurements done with internal voltage regulator and using following parameters: SMPS input = 3.3 V, SMPS efficiency = 85%.

**Table 69. Current consumption in Run mode, code with data processing running from SRAM2, and power supplied by external SMPS**

| Symbol   | Parameter                  | Conditions <sup>(1)</sup>  |            |         | TYP   |       |       |       |       | Unit |
|----------|----------------------------|--|------------|---------|-------|-------|-------|-------|-------|------|
|          |                            | -  | VDD12      | fHCLK   | 25°C  | 55°C  | 85°C  | 105°C | 125°C |      |
| IDD(Run) | Supply current in Run mode | fHCLK = fHSE up to 48 MHz included, bypass mode PLL ON above 48 MHz all peripherals disabled | VDD12=1.2V | 110 MHz | 6.7   | 6.95  | 7.56  | 8.41  | 9.89  | mA   |
|          |                            |  | VDD12=1.1V | 80 MHz  | 4.11  | 4.29  | 4.78  | 5.47  | 6.7   |      |
|          |                            |  |            | 72 MHz  | 3.71  | 3.89  | 4.37  | 5.06  | 6.28  |      |
|          |                            |  |            | 64 MHz  | 3.31  | 3.49  | 3.97  | 4.65  | 5.87  |      |
|          |                            |  |            | 48 MHz  | 2.51  | 2.68  | 3.16  | 3.82  | 5.03  |      |
|          |                            |  |            | 32 MHz  | 1.71  | 1.87  | 2.33  | 3     | 4.19  |      |
|          |                            |  |            | 26 KHz  | 1.15  | 1.273 | 1.639 | 2.186 | 3.185 |      |
|          |                            |  |            | 16 MHz  | 0.741 | 0.856 | 1.222 | 1.761 | 2.757 |      |
|          |                            |  |            | 8 MHz   | 0.41  | 0.525 | 0.888 | 1.427 | 2.412 |      |
|          |                            |  |            | 4 MHz   | 0.241 | 0.356 | 0.715 | 1.251 | 2.236 |      |
|          |                            |  |            | 2 MHz   | 0.158 | 0.273 | 0.629 | 1.168 | 2.15  |      |
|          |                            |  |            | 1 MHz   | 0.115 | 0.23  | 0.59  | 1.129 | 2.11  |      |
|          |                            |  |            | 100 KHz | 0.079 | 0.194 | 0.55  | 1.086 | 2.067 |      |

1. All values are obtained by calculation based on measurements done with internal voltage regulator and using following parameters: SMPS input = 3.3 V, SMPS efficiency = 85%.


**Table 70. Current consumption in Sleep mode, Flash ON and power supplied by external SMPS**

| Symbol     | Parameter                    | Conditions <sup>(1)</sup>  |             |         | TYP   |       |       |       |       | Unit |
|------------|------------------------------|--|-------------|---------|-------|-------|-------|-------|-------|------|
|            |                              | -  | VDD12       | fHCLK   | 25°C  | 55°C  | 85°C  | 105°C | 125°C |      |
| IDD(Sleep) | Supply current in Sleep mode | fHCLK = fHSE up to 48 MHz included, bypass mode PLL ON above 48 MHz all peripherals disabled | VDD12=1.20V | 110 MHz | 1.90  | 2.10  | 2.66  | 3.47  | 4.90  | mA   |
|            |                              |  | VDD12=1.10V | 80 MHz  | 1.19  | 1.35  | 1.80  | 2.47  | 3.67  |      |
|            |                              |  |             | 72 MHz  | 1.08  | 1.24  | 1.70  | 2.36  | 3.54  |      |
|            |                              |  |             | 64 MHz  | 0.98  | 1.13  | 1.59  | 2.25  | 3.44  |      |
|            |                              |  |             | 48 MHz  | 0.76  | 0.91  | 1.36  | 2.02  | 3.21  |      |
|            |                              |  |             | 32 MHz  | 0.54  | 0.69  | 1.14  | 1.79  | 2.97  |      |
|            |                              |  |             | 26 MHz  | 0.453 | 0.591 | 1.022 | 1.678 | 2.860 |      |
|            |                              |  |             | 16 MHz  | 0.315 | 0.453 | 0.880 | 1.531 | 2.718 |      |
|            |                              |  |             | 8 MHz   | 0.203 | 0.341 | 0.768 | 1.424 | 2.593 |      |
|            |                              |  |             | 4 MHz   | 0.147 | 0.285 | 0.712 | 1.355 | 2.528 |      |
|            |                              |  |             | 2MHz    | 0.116 | 0.255 | 0.682 | 1.329 | 2.498 |      |
|            |                              |  |             | 1 MHz   | 0.104 | 0.242 | 0.669 | 1.307 | 2.476 |      |
|            |                              |  |             | 100 KHz | 0.091 | 0.229 | 0.656 | 1.298 | 2.472 |      |

1. All values are obtained by calculation based on measurements done with internal voltage regulator and using following parameters: SMPS input = 3.3 V, SMPS efficiency = 85%.



**Table 71. Current consumption in Run mode, code with data processing running from Flash, ICACHE on (2-way) and power supplied by external SMPS**

| Symbol   | Parameter                  | Conditions <sup>(1)</sup>   |             |              |                      | TYP single bank mode | TYP single bank mode | Unit | TYP single bank mode | TYP single bank mode | Unit   |
|----------|----------------------------|---|-------------|--------------|----------------------|----------------------|----------------------|------|----------------------|----------------------|--------|
|          |                            | -   | VDD12       | fHCLK        | code                 | 25°C                 | 25°C                 |      | 25°C                 | 25°C                 |        |
| IDD(Run) | Supply current in Run mode | fHCLK = fHSE up to 48MHz included, bypass mode PLL ON above 48 MHz all peripherals disabled | VDD12=1.00V | fHCLK=26MHz  | Reduced code         | 1.2                  | 1.2                  | mA   | 46.15                | 46.15                | µA/MHz |
|          |                            |   |             |              | Coremark             | 1.29                 | 1.29                 |      | 49.62                | 49.62                |        |
|          |                            |   |             |              | Dhrystone2.1         | 1.37                 | 1.37                 |      | 52.69                | 52.69                |        |
|          |                            |   |             |              | Fibonacci            | 1.15                 | 1.14                 |      | 44.23                | 43.85                |        |
|          |                            |   |             |              | While <sup>(1)</sup> | 1.04                 | 1.04                 |      | 40                   | 40                   |        |
|          |                            |   | VDD12=1.10V | fHCLK=26MHz  | Reduced code         | 1.45                 | 1.45                 | mA   | 55.77                | 55.77                | µA/MHz |
|          |                            |   |             |              | Coremark             | 1.56                 | 1.56                 |      | 60                   | 60                   |        |
|          |                            |   |             |              | Dhrystone2.1         | 1.66                 | 1.65                 |      | 63.85                | 63.46                |        |
|          |                            |   |             |              | Fibonacci            | 1.39                 | 1.38                 |      | 53.46                | 53.08                |        |
|          |                            |   |             |              | While <sup>(1)</sup> | 1.26                 | 1.26                 |      | 48.46                | 48.46                |        |
|          |                            |   | VDD12=1.10V | fHCLK=80MHz  | Reduced code         | 4.1                  | 4.09                 | mA   | 51.25                | 51.13                | µA/MHz |
|          |                            |   |             |              | Coremark             | 4.4                  | 4.4                  |      | 55                   | 55                   |        |
|          |                            |   |             |              | Dhrystone2.1         | 4.7                  | 4.68                 |      | 58.75                | 58.5                 |        |
|          |                            |   |             |              | Fibonacci            | 3.88                 | 3.88                 |      | 48.5                 | 48.5                 |        |
|          |                            |   |             |              | While <sup>(1)</sup> | 3.55                 | 3.55                 |      | 44.38                | 44.38                |        |
|          |                            |   | VDD12=1.20V | fHCLK=110MHz | Reduced code         | 6.69                 | 6.69                 | mA   | 60.82                | 60.82                | µA/MHz |
|          |                            |   |             |              | Coremark             | 7.2                  | 7.2                  |      | 65.45                | 65.45                |        |
|          |                            |   |             |              | Dhrystone2.1         | 7.66                 | 7.62                 |      | 69.64                | 69.27                |        |
|          |                            |   |             |              | Fibonacci            | 6.32                 | 6.32                 |      | 57.45                | 57.45                |        |
|          |                            |   |             |              | While <sup>(1)</sup> | 5.8                  | 5.8                  |      | 52.73                | 52.73                |        |

1. All values are obtained by calculation based on measurements done with internal voltage regulator and using following parameters: SMPS input = 3.3 V, SMPS efficiency = 85%.



**Table 72. Current consumption in Run mode, code with data processing running from Flash, ICACHE on (1-way) and power supplied by external SMPS**

| Symbol   | Parameter                  | Conditions <sup>(1)</sup>   |             |              |                      | TYP<br>Single<br>Bank<br>mode | TYP<br>Single<br>Bank<br>mode | Unit | TYP<br>Single<br>Bank<br>mode | TYP<br>Single<br>Bank<br>mode | Unit   |
|----------|----------------------------|---|-------------|--------------|----------------------|-------------------------------|-------------------------------|------|-------------------------------|-------------------------------|--------|
|          |                            | -   | VDD12       | fHCLK        | code                 | 25°C                          | 25°C                          |      | 25°C                          | 25°C                          |        |
| IDD(Run) | Supply current in Run mode | fHCLK = fHSE up to 48MHz included, bypass mode PLL ON above 48 MHz all peripherals disabled | VDD12=1.00V | fHCLK=26MHz  | Reduced code         | 1.16                          | 1.16                          | mA   | 44.62                         | 44.62                         | µA/MHz |
|          |                            |   |             |              | Coremark             | 1.22                          | 1.22                          |      | 46.92                         | 46.92                         |        |
|          |                            |   |             |              | Dhrystone2.1         | 1.31                          | 1.3                           |      | 50.38                         | 50                            |        |
|          |                            |   |             |              | Fibonacci            | 1.11                          | 1.11                          |      | 42.69                         | 42.69                         |        |
|          |                            |   |             |              | While <sup>(1)</sup> | 1.02                          | 1.02                          |      | 39.23                         | 39.23                         |        |
|          |                            |   | VDD12=1.10V | fHCLK=26MHz  | Reduced code         | 1.41                          | 1.41                          | mA   | 54.23                         | 54.23                         | µA/MHz |
|          |                            |   |             |              | Coremark             | 1.48                          | 1.48                          |      | 56.92                         | 56.92                         |        |
|          |                            |   |             |              | Dhrystone2.1         | 1.58                          | 1.58                          |      | 60.77                         | 60.77                         |        |
|          |                            |   |             |              | Fibonacci            | 1.34                          | 1.34                          |      | 51.54                         | 51.54                         |        |
|          |                            |   |             |              | While <sup>(1)</sup> | 1.24                          | 1.24                          |      | 47.69                         | 47.69                         |        |
|          |                            |   | VDD12=1.10V | fHCLK=80MHz  | Reduced code         | 3.97                          | 3.97                          | mA   | 49.63                         | 49.63                         | µA/MHz |
|          |                            |   |             |              | Coremark             | 4.16                          | 4.16                          |      | 52                            | 52                            |        |
|          |                            |   |             |              | Dhrystone2.1         | 4.47                          | 4.45                          |      | 55.88                         | 55.63                         |        |
|          |                            |   |             |              | Fibonacci            | 3.73                          | 3.73                          |      | 46.63                         | 46.63                         |        |
|          |                            |   |             |              | While <sup>(1)</sup> | 3.49                          | 3.49                          |      | 43.63                         | 43.63                         |        |
|          |                            |   | VDD12=1.20V | fHCLK=110MHz | Reduced code         | 6.47                          | 6.47                          | mA   | 58.82                         | 58.82                         | µA/MHz |
|          |                            |   |             |              | Coremark             | 6.81                          | 6.81                          |      | 61.91                         | 61.91                         |        |
|          |                            |   |             |              | Dhrystone2.1         | 7.28                          | 7.25                          |      | 66.18                         | 65.91                         |        |
|          |                            |   |             |              | Fibonacci            | 6.09                          | 6.09                          |      | 55.36                         | 55.36                         |        |
|          |                            |   |             |              | While <sup>(1)</sup> | 5.71                          | 5.7                           |      | 51.91                         | 51.82                         |        |

1. All values are obtained by calculation based on measurements done with internal voltage regulator and using following parameters: SMPS input = 3.3 V, SMPS efficiency = 85%.

**Table 73. Current consumption in Run mode, code with data processing running from Flash, ICACHE disabled and power supplied by external SMPS**

| Symbol   | Parameter                  | Conditions <sup>(1)</sup>   |             |              |                      | TYP Single Bank mode | TYP Single Bank mode | Unit | TYP Single Bank mode | TYP Single Bank mode | Unit   |
|----------|----------------------------|---|-------------|--------------|----------------------|----------------------|----------------------|------|----------------------|----------------------|--------|
|          |                            | -   | VDD12       | fHCLK        | code                 | 25°C                 | 25°C                 |      | 25°C                 | 25°C                 |        |
| IDD(Run) | Supply current in Run mode | fHCLK = fHSE up to 48MHz included, bypass mode PLL ON above 48 MHz all peripherals disabled | VDD12=1.00V | fHCLK=26MHz  | Reduced code         | 1.53                 | 1.56                 | mA   | 58.85                | 60                   | µA/MHz |
|          |                            |   |             |              | Coremark             | 1.66                 | 1.58                 |      | 63.85                | 60.77                |        |
|          |                            |   |             |              | Dhrystone2.1         | 1.71                 | 1.65                 |      | 65.77                | 63.46                |        |
|          |                            |   |             |              | Fibonacci            | 1.36                 | 1.33                 |      | 52.31                | 51.15                |        |
|          |                            |   |             |              | While <sup>(1)</sup> | 1.14                 | 1.18                 |      | 43.85                | 45.38                |        |
|          |                            |   | VDD12=1.10V | fHCLK=26MHz  | Reduced code         | 1.85                 | 1.89                 | mA   | 71.15                | 72.69                | µA/MHz |
|          |                            |   |             |              | Coremark             | 2.01                 | 1.92                 |      | 77.31                | 73.85                |        |
|          |                            |   |             |              | Dhrystone2.1         | 2.07                 | 2                    |      | 79.62                | 76.92                |        |
|          |                            |   |             |              | Fibonacci            | 1.64                 | 1.61                 |      | 63.08                | 61.92                |        |
|          |                            |   |             |              | While <sup>(1)</sup> | 1.38                 | 1.43                 |      | 53.08                | 55                   |        |
|          |                            |   | VDD12=1.10V | fHCLK=80MHz  | Reduced code         | 5.07                 | 5.01                 | mA   | 63.38                | 62.63                | µA/MHz |
|          |                            |   |             |              | Coremark             | 4.91                 | 4.37                 |      | 61.38                | 54.63                |        |
|          |                            |   |             |              | Dhrystone2.1         | 4.49                 | 4.49                 |      | 56.13                | 56.13                |        |
|          |                            |   |             |              | Fibonacci            | 4.34                 | 4.07                 |      | 54.25                | 50.88                |        |
|          |                            |   |             |              | While <sup>(1)</sup> | 3.9                  | 4.04                 |      | 48.75                | 50.5                 |        |
|          |                            |   | VDD12=1.20V | fHCLK=110MHz | Reduced code         | 7.55                 | 6.9                  | mA   | 68.64                | 62.73                | µA/MHz |
|          |                            |   |             |              | Coremark             | 7.03                 | 6.09                 |      | 63.91                | 55.36                |        |
|          |                            |   |             |              | Dhrystone2.1         | 7.08                 | 6.2                  |      | 64.36                | 56.36                |        |
|          |                            |   |             |              | Fibonacci            | 6.64                 | 6.07                 |      | 60.36                | 55.18                |        |
|          |                            |   |             |              | While <sup>(1)</sup> | 6.39                 | 6.63                 |      | 58.09                | 60.27                |        |

1. All values are obtained by calculation based on measurements done with internal voltage regulator and using following parameters: SMPS input = 3.3 V, SMPS efficiency = 85%.



**Table 74. Current consumption in Run mode, code with data processing running from SRAM1, and power supplied by external SMPS**

| Symbol   | Parameter                  | Conditions <sup>(1)</sup>   |             |              |                      | TYP  | Unit | TYP   | Unit   |
|----------|----------------------------|---|-------------|--------------|----------------------|------|------|-------|--------|
|          |                            | -   | VDD12       | fHCLK        | code                 | 25°C |      | 25°C  |        |
| IDD(Run) | Supply current in Run mode | fHCLK = fHSE up to 48MHz included, bypass mode PLL ON above 48 MHz all peripherals disabled | VDD12=1.00V | fHCLK=26MHz  | Reduced code         | 1.22 | mA   | 46.92 | μA/MHz |
|          |                            |   |             |              | Coremark             | 0.57 |      | 21.92 |        |
|          |                            |   |             |              | Dhystone2.1          | 1.26 |      | 48.46 |        |
|          |                            |   |             |              | Fibonacci            | 1.31 |      | 50.38 |        |
|          |                            |   |             |              | While <sup>(1)</sup> | 1.43 |      | 55    |        |
|          |                            |   | VDD12=1.10V | fHCLK=26MHz  | Reduced code         | 1.48 | mA   | 56.92 | μA/MHz |
|          |                            |   |             |              | Coremark             | 0.69 |      | 26.54 |        |
|          |                            |   |             |              | Dhystone2.1          | 1.52 |      | 58.46 |        |
|          |                            |   |             |              | Fibonacci            | 1.59 |      | 61.15 |        |
|          |                            |   |             |              | While <sup>(1)</sup> | 1.73 |      | 66.54 |        |
|          |                            |   | VDD12=1.10V | fHCLK=80MHz  | Reduced code         | 4.18 | mA   | 52.25 | μA/MHz |
|          |                            |   |             |              | Coremark             | 1.84 |      | 23    |        |
|          |                            |   |             |              | Dhystone2.1          | 4.29 |      | 53.63 |        |
|          |                            |   |             |              | Fibonacci            | 4.5  |      | 56.25 |        |
|          |                            |   |             |              | While <sup>(1)</sup> | 5.01 |      | 62.63 |        |
|          |                            |   | VDD12=1.20V | fHCLK=110MHz | Reduced code         | 6.81 | mA   | 61.91 | μA/MHz |
|          |                            |   |             |              | Coremark             | 2.97 |      | 27    |        |
|          |                            |   |             |              | Dhystone2.1          | 7    |      | 63.64 |        |
|          |                            |   |             |              | Fibonacci            | 7.34 |      | 66.73 |        |
|          |                            |   |             |              | While <sup>(1)</sup> | 8.19 |      | 74.45 |        |

1. All values are obtained by calculation based on measurements done with internal voltage regulator and using following parameters: SMPS input = 3.3 V, SMPS efficiency = 85%.



**Table 75. Current consumption in Run mode, code with data processing running from SRAM2, and power supplied by external SMPS**

| Symbol   | Parameter                  | Conditions <sup>(1)</sup>   |             |              |                      | TYP  | Unit | TYP   | Unit   |
|----------|----------------------------|---|-------------|--------------|----------------------|------|------|-------|--------|
|          |                            | -   | VDD12       | fHCLK        | code                 | 25°C |      | 25°C  |        |
| IDD(Run) | Supply current in Run mode | fHCLK = fHSE up to 48MHz included, bypass mode PLL ON above 48 MHz all peripherals disabled | VDD12=1.00V | fHCLK=26MHz  | Reduced code         | 1.20 | mA   | 46.15 | µA/MHz |
|          |                            |   |             |              | Coremark             | 0.57 |      | 21.92 |        |
|          |                            |   |             |              | Dhrystone2.1         | 1.20 |      | 46.15 |        |
|          |                            |   |             |              | Fibonacci            | 1.25 |      | 48.08 |        |
|          |                            |   |             |              | While <sup>(1)</sup> | 1.37 |      | 52.69 |        |
|          |                            |   | VDD12=1.10V | fHCLK=26MHz  | Reduced code         | 1.45 | mA   | 55.77 | µA/MHz |
|          |                            |   |             |              | Coremark             | 0.69 |      | 26.54 |        |
|          |                            |   |             |              | Dhrystone2.1         | 1.45 |      | 55.77 |        |
|          |                            |   |             |              | Fibonacci            | 1.52 |      | 58.46 |        |
|          |                            |   |             |              | While <sup>(1)</sup> | 1.66 |      | 63.85 |        |
|          |                            |   | VDD12=1.10V | fHCLK=80MHz  | Reduced code         | 4.11 | mA   | 51.38 | µA/MHz |
|          |                            |   |             |              | Coremark             | 1.84 |      | 23.00 |        |
|          |                            |   |             |              | Dhrystone2.1         | 4.09 |      | 51.13 |        |
|          |                            |   |             |              | Fibonacci            | 4.30 |      | 53.75 |        |
|          |                            |   |             |              | While <sup>(1)</sup> | 4.76 |      | 59.50 |        |
|          |                            |   | VDD12=1.20V | fHCLK=110MHz | Reduced code         | 6.70 | mA   | 60.91 | µA/MHz |
|          |                            |   |             |              | Coremark             | 2.97 |      | 27.00 |        |
|          |                            |   |             |              | Dhrystone2.1         | 6.67 |      | 60.64 |        |
|          |                            |   |             |              | Fibonacci            | 7.01 |      | 63.73 |        |
|          |                            |   |             |              | While <sup>(1)</sup> | 7.80 |      | 70.91 |        |

1. All values are obtained by calculation based on measurements done with internal voltage regulator and using following parameters: SMPS input = 3.3 V, SMPS efficiency = 85%.





Table 76. Current consumption in Stop 2 mode

| Symbol                      | Parameter   | Conditions   |       | TYP  |       |       |        |        | MAX   |       |        |        |        | Unit |
|-----------------------------|---|--|-------|------|-------|-------|--------|--------|-------|-------|--------|--------|--------|------|
|                             |   | -  | VDD   | 25°C | 55°C  | 85°C  | 105°C  | 125°C  | 25°C  | 55°C  | 85°C   | 105°C  | 125°C  |      |
| IDD<br>(Stop 2)             | Supply current<br>in Stop 2 mode,<br>RTC disabled | -  | 1.8 V | 3.07 | 16.61 | 68.35 | 158.43 | 332.53 | 19.03 | 67.19 | 202.18 | 407.53 | 797.08 | μA   |
|                             |   |  | 2.4 V | 3.09 | 16.86 | 69.13 | 160.32 | 335.88 | 19.08 | 67.43 | 201.94 | 409.7  | 802.29 |      |
|                             |   |  | 3 V   | 3.13 | 17.24 | 69.5  | 161.75 | 341.1  | 19.18 | 67.79 | 203.72 | 412.34 | 812.99 |      |
|                             |   |  | 3.6 V | 3.2  | 17.42 | 71.15 | 164.99 | 349.3  | 19.39 | 68.67 | 205.04 | 415.22 | 816.69 |      |
| IDD<br>(Stop 2<br>with RTC) | Supply current<br>in Stop 2 mode,<br>RTC enabled  | RTC clocked by LSI   | 1.8 V | 3.66 | 17.32 | 68.52 | 159.57 | 333.56 | 19.7  | 67.81 | 202.19 | 408.09 | 797.2  |      |
|                             |   |  | 2.4 V | 3.88 | 17.74 | 69.73 | 160.86 | 338.16 | 20.07 | 68.34 | 202.52 | 410.27 | 802.48 |      |
|                             |   |  | 3 V   | 4.2  | 17.94 | 70.57 | 163.39 | 342.82 | 20.37 | 68.62 | 205.35 | 413.58 | 813.45 |      |
|                             |   |  | 3.6 V | 4.42 | 18.71 | 72.31 | 166.43 | 348.19 | 20.79 | 69.72 | 205.83 | 416.46 | 818.3  |      |
|                             |   | RTC clocked by LSI<br>with LPCAL = 1,<br>ULPEN = 1                         | 1.8 V | 3.5  | 17.14 | 69.36 | 159.76 | 332.52 | -     | -     | -      | -      | -      |      |
|                             |   |  | 2.4 V | 3.62 | 17.68 | 70.03 | 161.58 | 336.53 | -     | -     | -      | -      | -      |      |
|                             |   |  | 3 V   | 3.82 | 18.2  | 71    | 163.7  | 343.17 | -     | -     | -      | -      | -      |      |
|                             |   |  | 3.6 V | 4.06 | 18.8  | 72.72 | 168.58 | 351.22 | -     | -     | -      | -      | -      |      |
|                             |   | RTC clocked by LSE<br>bypassed at 32768 Hz<br>with LPCAL = 0,<br>ULPEN = 0 | 1.8 V | 3.44 | 17.15 | 68.39 | 159.57 | 333.37 | -     | -     | -      | -      | -      |      |
|                             |   |  | 2.4 V | 3.58 | 17.35 | 69.8  | 161.86 | 336.47 | -     | -     | -      | -      | -      |      |
|                             |   |  | 3 V   | 3.79 | 17.77 | 70.33 | 163.41 | 342.2  | -     | -     | -      | -      | -      |      |
|                             |   |  | 3.6 V | 4.59 | 18.34 | 72.03 | 166.18 | 350.97 | -     | -     | -      | -      | -      |      |
|                             |   | RTC clocked by LSE<br>bypassed at 32768 Hz<br>with LPCAL = 1,<br>ULPEN = 1 | 1.8 V | 3.18 | 16.98 | 69.4  | 160.31 | 335.07 | -     | -     | -      | -      | -      |      |
|                             |   |  | 2.4 V | 3.27 | 17.29 | 69.65 | 161.79 | 339.1  | -     | -     | -      | -      | -      |      |
|                             |   |  | 3 V   | 3.41 | 17.91 | 71.21 | 163.77 | 343.27 | -     | -     | -      | -      | -      |      |
|                             |   |  | 3.6 V | 4.16 | 18.5  | 72.62 | 167.08 | 350.59 | -     | -     | -      | -      | -      |      |

**Table 76. Current consumption in Stop 2 mode (continued)**

| Symbol                                     | Parameter   | Conditions   |       | TYP  |       |       |        |        | MAX  |      |      |       |       | Unit |
|--|---|--|-------|------|-------|-------|--------|--------|------|------|------|-------|-------|------|
|  |   | -  | VDD   | 25°C | 55°C  | 85°C  | 105°C  | 125°C  | 25°C | 55°C | 85°C | 105°C | 125°C |      |
| IDD<br>(Stop 2<br>with RTC)<br>(continued) | Supply current<br>in Stop 2 mode,<br>RTC enabled<br>(continued) | RTC clocked by LSE<br>quartz in low drive<br>mode                              | 1.8 V | 3.48 | 16.53 | 66.1  | 151.2  | 295.85 | -    | -    | -    | -     | -     | µA   |
|  |   |  | 2.4 V | 3.58 | 16.86 | 66.79 | 153.07 | 299.45 | -    | -    | -    | -     | -     |      |
|  |   |  | 3 V   | 3.71 | 17.18 | 67.57 | 155.09 | 302.75 | -    | -    | -    | -     | -     |      |
|  |   |  | 3.6 V | 3.91 | 17.74 | 68.97 | 158.26 | 309.93 | -    | -    | -    | -     | -     |      |
|  |   | RTC clocked by LSE<br>quartz in low drive<br>mode with LPCAL = 1,<br>ULPEN = 1 | 1.8 V | 3.16 | 16.68 | 66.32 | 151.87 | 296.04 | -    | -    | -    | -     | -     |      |
|  |   |  | 2.4 V | 3.21 | 16.99 | 66.91 | 153.42 | 299.34 | -    | -    | -    | -     | -     |      |
|  |   |  | 3 V   | 3.27 | 17.39 | 68.27 | 155.45 | 304.73 | -    | -    | -    | -     | -     |      |
|  |   |  | 3.6 V | 3.42 | 17.93 | 69.41 | 158.77 | 310.4  | -    | -    | -    | -     | -     |      |
| IDD<br>(wakeup<br>from<br>Stop 2)          | Supply current<br>during wakeup<br>from Stop 2<br>mode          | Wakeup clock is<br>MSI = 48 MHz,<br>voltage Range 1                            | 3 V   | 1.96 | -     | -     | -      | -      | -    | -    | -    | -     | mA    |      |
|  |   | Wakeup clock is<br>MSI = 4 MHz, voltage<br>Range 2                             | 3 V   | 1.09 | -     | -     | -      | -      | -    | -    | -    | -     |       |      |
|  |   | Wakeup clock is<br>HSI = 16 MHz,<br>voltage Range 1                            | 3 V   | 1.72 | -     | -     | -      | -      | -    | -    | -    | -     |       |      |



Table 77. Current consumption in Stop 1 mode

| Symbol                               | Parameter                                   | Conditions                                  |                 | TYP    |        |      |       |       | MAX  |      |      |       |       | Unit |
|--------------------------------------|---|---|-----------------|--------|--------|------|-------|-------|------|------|------|-------|-------|------|
|                                      |   | -   | V <sub>DD</sub> | 25°C   | 55°C   | 85°C | 105°C | 125°C | 25°C | 55°C | 85°C | 105°C | 125°C |      |
| I <sub>DD</sub><br>(Stop 1)          | Supply current in Stop 1 mode, RTC disabled | -   | 1.8 V           | 91.47  | 372.36 | 1243 | 2527  | 4611  | 1196 | 3403 | 8100 | 13853 | 22830 | μA   |
|                                      |   |   | 2.4 V           | 91.94  | 375.16 | 1251 | 2531  | 4652  | 1199 | 3418 | 8133 | 13906 | 22920 |      |
|                                      |   |   | 3 V             | 92.51  | 375.46 | 1249 | 2549  | 4675  | 1204 | 3427 | 8174 | 13988 | 23189 |      |
|                                      |   |   | 3.6 V           | 93.26  | 380.59 | 1270 | 2567  | 4721  | 1215 | 3433 | 8158 | 14083 | 23335 |      |
| I <sub>DD</sub><br>(Stop 1 with RTC) | Supply current in Stop 1 mode, RTC enabled  | RTC clocked by LSI                          | 1.8 V           | 92.46  | 373.25 | 1248 | 2518  | 4617  | 1196 | 3405 | 8103 | 13874 | 22793 |      |
|                                      |   |   | 2.4 V           | 92.48  | 372.19 | 1250 | 2528  | 4643  | 1201 | 3433 | 8135 | 13924 | 22927 |      |
|                                      |   |   | 3 V             | 93.34  | 374.54 | 1253 | 2541  | 4683  | 1206 | 3424 | 8185 | 13994 | 23140 |      |
|                                      |   |   | 3.6 V           | 93.38  | 378.64 | 1267 | 2559  | 4712  | 1213 | 3434 | 8176 | 14091 | 23336 |      |
|                                      |   | RTC clocked by LSE bypassed at 32768 Hz     | 1.8 V           | 92.35  | 371.81 | 1248 | 2518  | 4605  | -    | -    | -    | -     | -     |      |
|                                      |   |   | 2.4 V           | 92.31  | 374.21 | 1245 | 2521  | 4640  | -    | -    | -    | -     | -     |      |
|                                      |   |   | 3 V             | 93.59  | 375.92 | 1256 | 2534  | 4673  | -    | -    | -    | -     | -     |      |
|                                      |   |   | 3.6 V           | 93.19  | 377.07 | 1262 | 2551  | 4713  | -    | -    | -    | -     | -     |      |
|                                      |   | RTC clocked by LSE quartz in low drive mode | 1.8 V           | 100.67 | 381.08 | 1214 | 2442  | -     | -    | -    | -    | -     | -     |      |
|                                      |   |   | 2.4 V           | 101.20 | 380.64 | 1224 | 2447  | -     | -    | -    | -    | -     | -     |      |
|                                      |   |   | 3 V             | 102.04 | 378.49 | 1228 | 2466  | -     | -    | -    | -    | -     | -     |      |
|                                      |   |   | 3.6 V           | 103.34 | 387.73 | 1239 | 2480  | -     | -    | -    | -    | -     | -     |      |

**Table 77. Current consumption in Stop 1 mode (continued)**

| Symbol                      | Parameter                                     | Conditions                                    |                 | TYP  |      |      |       |       | MAX  |      |      |       |       | Unit |
|-----------------------------|---|---|-----------------|------|------|------|-------|-------|------|------|------|-------|-------|------|
|                             |   | -   | V <sub>DD</sub> | 25°C | 55°C | 85°C | 105°C | 125°C | 25°C | 55°C | 85°C | 105°C | 125°C |      |
| IDD<br>(wakeup from Stop 1) | Supply current during wakeup from Stop 1 mode | Wakeup clock is MSI = 48 MHz, voltage Range 1 | 3 V             | 2.02 | -    | -    | -     | -     | -    | -    | -    | -     | -     | mA   |
|                             |   | Wakeup clock is MSI = 4 MHz, voltage Range 2  | 3 V             | 0.58 | -    | -    | -     | -     | -    | -    | -    | -     | -     |      |
|                             |   | Wakeup clock is HSI = 16 MHz, voltage Range 1 | 3 V             | 1.27 | -    | -    | -     | -     | -    | -    | -    | -     | -     |      |

**Table 78. Current consumption in Stop 0 mode**

| Symbol          | Parameter                                   | Conditions |                 | TYP    |        |      |       |       | MAX  |      |      |       |       | Unit |
|-----------------|---|------------|-----------------|--------|--------|------|-------|-------|------|------|------|-------|-------|------|
|                 |   | -          | V <sub>DD</sub> | 25°C   | 55°C   | 85°C | 105°C | 125°C | 25°C | 55°C | 85°C | 105°C | 125°C |      |
| IDD<br>(Stop 0) | Supply current in Stop 0 mode, RTC disabled | -          | 1.8 V           | 192.69 | 494.92 | 1425 | 2797  | 5106  | 1395 | 3797 | 8974 | 15426 | 25827 | μA   |
|                 |   | -          | 2.4 V           | 194.69 | 495.31 | 1430 | 2804  | 5108  | 1396 | 3798 | 8953 | 15440 | 25851 |      |
|                 |   | -          | 3 V             | 196.09 | 495.47 | 1431 | 2812  | 5124  | 1397 | 3799 | 8996 | 15465 | 25967 |      |
|                 |   | -          | 3.6 V           | 197.54 | 497.36 | 1434 | 2814  | 5155  | 1399 | 3802 | 8967 | 15488 | 26025 |      |



Table 79. Current consumption in Standby mode

| Symbol                       | Parameter  | Conditions                |                 | TYP  |      |      |       |       | MAX  |      |       |       |       | Unit |
|------------------------------|--|---------------------------|-----------------|------|------|------|-------|-------|------|------|-------|-------|-------|------|
|                              |  | -                         | V <sub>DD</sub> | 25°C | 55°C | 85°C | 105°C | 125°C | 25°C | 55°C | 85°C  | 105°C | 125°C |      |
| I <sub>DD</sub><br>(Standby) | Supply current in Standby mode (backup registers retained), RTC disabled | No independent watchdog   | 1.8 V           | 108  | 382  | 2374 | 7132  | 19259 | 237  | 2269 | 6948  | 12467 | 31340 | nA   |
|                              |  |                           | 2.4 V           | 119  | 476  | 2795 | 8332  | 22151 | 361  | 2497 | 7770  | 14021 | 40505 |      |
|                              |  |                           | 3 V             | 134  | 591  | 3215 | 9665  | 26746 | 411  | 2716 | 8919  | 15987 | 45394 |      |
|                              |  |                           | 3.6 V           | 183  | 827  | 4232 | 12128 | 31763 | 558  | 3214 | 9577  | 17816 | 50551 |      |
|                              |  | With independent watchdog | 1.8 V           | 347  | -    | -    | -     | -     | 572  | 2578 | 7079  | 12599 | 31388 |      |
|                              |  |                           | 2.4 V           | 405  | -    | -    | -     | -     | 708  | 2832 | 7868  | 14061 | 39741 |      |
|                              |  |                           | 3 V             | 483  | -    | -    | -     | -     | 609  | 2913 | 8597  | 16110 | 44085 |      |
|                              |  |                           | 3.6 V           | 596  | -    | -    | -     | -     | 999  | 3466 | 10069 | 18212 | 48579 |      |



**Table 79. Current consumption in Standby mode (continued)**

| Symbol                                | Parameter   | Conditions  |                 | TYP  |      |      |       |       | MAX  |      |       |       |       | Unit |   |
|---------------------------------------|---|---|-----------------|------|------|------|-------|-------|------|------|-------|-------|-------|------|---|
|                                       |   | -   | V <sub>DD</sub> | 25°C | 55°C | 85°C | 105°C | 125°C | 25°C | 55°C | 85°C  | 105°C | 125°C |      |   |
| I <sub>DD</sub><br>(Standby with RTC) | Supply current in Standby mode (backup registers retained), RTC enabled | RTC clocked by LSI, no independent watchdog                           | 1.8 V           | 717  | 971  | 2924 | 7693  | 19714 | 930  | 2760 | 7456  | 12882 | 31665 | nA   |   |
|                                       |   |   | 2.4 V           | 887  | 1266 | 3589 | 9054  | 22856 | 1224 | 3096 | 8393  | 14557 | 40166 |      |   |
|                                       |   |   | 3 V             | 1113 | 1584 | 4206 | 10666 | 27521 | 1303 | 3509 | 9212  | 16779 | 44936 |      |   |
|                                       |   |   | 3.6 V           | 1394 | 2059 | 5515 | 13394 | 32693 | 1828 | 3889 | 10504 | 18898 | 48363 |      |   |
|                                       |   | RTC clocked by LSI, no independent watchdog with LPCAL = 1, ULPEN = 1 | 1.8 V           | 457  | 779  | 3075 | 8179  | 20106 | -    | -    | -     | -     | -     |      | - |
|                                       |   |   | 2.4 V           | 582  | 1080 | 4082 | 9786  | 23298 | -    | -    | -     | -     | -     |      | - |
|                                       |   |   | 3 V             | 740  | 1425 | 5195 | 11380 | 28044 | -    | -    | -     | -     | -     |      | - |
|                                       |   |   | 3.6 V           | 955  | 1905 | 6884 | 14210 | 33407 | -    | -    | -     | -     | -     |      | - |
|                                       |   | RTC clocked by LSI, with independent watchdog                         | 1.8 V           | 766  | -    | -    | -     | -     | 847  | 2549 | 7430  | 12888 | 31689 |      | - |
|                                       |   |   | 2.4 V           | 948  | -    | -    | -     | -     | 1267 | 3171 | 8250  | 14679 | 40296 |      | - |
|                                       |   |   | 3 V             | 1196 | -    | -    | -     | -     | 1561 | 3610 | 9492  | 16773 | 44760 |      | - |
|                                       |   |   | 3.6 V           | 1492 | -    | -    | -     | -     | 1896 | 4136 | 10423 | 19143 | 48559 |      | - |
|                                       |   | RTC clocked by LSE bypassed at 32768 Hz                               | 1.8 V           | 435  | 711  | 2650 | 7592  | 19645 | -    | -    | -     | -     | -     |      | - |
|                                       |   |   | 2.4 V           | 569  | 954  | 3254 | 8972  | 22787 | -    | -    | -     | -     | -     |      | - |
|                                       |   |   | 3 V             | 768  | 1247 | 3963 | 10303 | 27154 | -    | -    | -     | -     | -     |      | - |
|                                       |   |   | 3.6 V           | 1024 | 1686 | 5174 | 13141 | 32293 | -    | -    | -     | -     | -     |      | - |
|                                       |   | RTC clocked by LSE bypassed at 32768 Hz with LPCAL = 1, ULPEN = 1     | 1.8 V           | 166  | -    | -    | -     | -     | -    | -    | -     | -     | -     |      | - |
|                                       |   |   | 2.4 V           | 236  | -    | -    | -     | -     | -    | -    | -     | -     | -     |      | - |
|                                       |   |   | 3 V             | 356  | -    | -    | -     | -     | -    | -    | -     | -     | -     |      | - |
|                                       |   |   | 3.6 V           | 575  | -    | -    | -     | -     | -    | -    | -     | -     | -     |      | - |



Table 79. Current consumption in Standby mode (continued)

| Symbol   | Parameter   | Conditions  |                 | TYP  |      |       |       |       | MAX  |      |       |       |        | Unit |   |
|--|---|---|-----------------|------|------|-------|-------|-------|------|------|-------|-------|--------|------|---|
|  |   | -   | V <sub>DD</sub> | 25°C | 55°C | 85°C  | 105°C | 125°C | 25°C | 55°C | 85°C  | 105°C | 125°C  |      |   |
| I <sub>DD</sub><br>(Standby with RTC)<br>(continued) | Supply current in Standby mode (backup registers retained), RTC enabled (continued) | RTC clocked by LSE quartz in low drive mode                           | 1.8 V           | 491  | -    | -     | -     | -     | -    | -    | -     | -     | -      | nA   |   |
|  |   |   | 2.4 V           | 574  | -    | -     | -     | -     | -    | -    | -     | -     | -      |      |   |
|  |   |   | 3 V             | 696  | -    | -     | -     | -     | -    | -    | -     | -     | -      |      |   |
|  |   |   | 3.6 V           | 870  | -    | -     | -     | -     | -    | -    | -     | -     | -      |      |   |
|  |   | RTC clocked by LSE quartz in low drive mode with LPCAL = 1, ULPEN = 1 | 1.8 V           | 222  | -    | -     | -     | -     | -    | -    | -     | -     | -      |      | - |
|  |   |   | 2.4 V           | 250  | -    | -     | -     | -     | -    | -    | -     | -     | -      |      | - |
|  |   |   | 3 V             | 297  | -    | -     | -     | -     | -    | -    | -     | -     | -      |      | - |
|  |   |   | 3.6 V           | 403  | -    | -     | -     | -     | -    | -    | -     | -     | -      |      | - |
| I <sub>DD</sub><br>(SRAM2)                           | Supply current to be added in Standby mode when Full SRAM2 (64KB) is retained       | -   | 1.8 V           | 668  | 3089 | 13834 | 34240 | 75362 | 1834 | 8192 | 28470 | 36317 | 135595 |      |   |
|  |   | -   | 2.4 V           | 704  | 3193 | 14412 | 35468 | 78515 | 1859 | 8376 | 28905 | 36890 | 140894 |      |   |
|  |   | -   | 3 V             | 739  | 3283 | 14722 | 36843 | 82664 | 1907 | 8514 | 29857 | 37533 | 144576 |      |   |
|  |   | -   | 3.6 V           | 840  | 3571 | 15867 | 38708 | 88150 | 1973 | 8919 | 30509 | 38460 | 149487 |      |   |
| I <sub>DD</sub><br>(SRAM)                            | Supply current to be added in Standby mode when partial SRAM2 (4 KB) is retained    | -   | 1.8 V           | 164  | 658  | 3378  | 9485  | 23856 | 518  | 2685 | 8359  | 8164  | 39054  |      |   |
|  |   | -   | 2.4 V           | 201  | 764  | 3853  | 10707 | 26844 | 585  | 2758 | 9134  | 8842  | 47739  |      |   |
|  |   | -   | 3 V             | 231  | 871  | 4319  | 12043 | 31160 | 606  | 3243 | 9975  | 9601  | 51857  |      |   |
|  |   | -   | 3.6 V           | 326  | 1128 | 5250  | 14470 | 36553 | 723  | 3570 | 10872 | 10707 | 55419  |      |   |
| I <sub>DD</sub> (wakeup from Standby)                | Supply current during wakeup from Standby mode                                      | Wakeup clock is MSI = 4 MHz   | 3 V             | 1.11 | -    | -     | -     | -     | -    | -    | -     | -     | mA     |      |   |

**Table 80. Current consumption in Shutdown mode**

| Symbol                     | Parameter  | Conditions   |       | TYP   |      |      |       |       | MAX  |      |      |       |       | Unit |
|----------------------------|--|--|-------|-------|------|------|-------|-------|------|------|------|-------|-------|------|
|                            |  | -  | VDD   | 25°C  | 55°C | 85°C | 105°C | 125°C | 25°C | 55°C | 85°C | 105°C | 125°C |      |
| IDD<br>(Shutdown)          | Supply current in Shutdown mode (backup registers retained) RTC disabled | -  | 1.8 V | 17.0  | 198  | 1533 | 5195  | 15336 | 99   | 590  | 3169 | 9252  | 26038 | nA   |
|                            |  |  | 2.4 V | 18.0  | 269  | 1803 | 6166  | 17522 | 115  | 679  | 3610 | 10477 | 29468 |      |
|                            |  |  | 3 V   | 44.0  | 361  | 2314 | 7212  | 21381 | 141  | 800  | 4108 | 11860 | 32843 |      |
|                            |  |  | 3.6 V | 127.0 | 587  | 3159 | 9534  | 26115 | 196  | 990  | 4877 | 13734 | 37480 |      |
| IDD<br>(Shutdown with RTC) | Supply current in Shutdown mode (backup registers retained) RTC enabled  | RTC clocked by LSE bypassed at 32768 Hz with LPCAL = 0     | 1.8 V | 307   | 525  | 1905 | 5592  | 15801 | -    | -    | -    | -     | -     |      |
|                            |  |  | 2.4 V | 485   | 746  | 2363 | 6676  | 18041 | -    | -    | -    | -     | -     |      |
|                            |  |  | 3 V   | 689   | 1015 | 2905 | 7919  | 22214 | -    | -    | -    | -     | -     |      |
|                            |  |  | 3.6 V | 974   | 1435 | 4082 | 10392 | 26856 | -    | -    | -    | -     | -     |      |
|                            |  | RTC clocked by LSE bypassed at 32768 Hz with LPCAL = 1     | 1.8 V | 116   | 325  | 1711 | 5423  | 15551 | -    | -    | -    | -     | -     |      |
|                            |  |  | 2.4 V | 221   | 491  | 2100 | 6395  | 17909 | -    | -    | -    | -     | -     |      |
|                            |  |  | 3 V   | 339   | 656  | 2636 | 7450  | 21753 | -    | -    | -    | -     | -     |      |
|                            |  |  | 3.6 V | 535   | 996  | 3645 | 9998  | 26420 | -    | -    | -    | -     | -     |      |
|                            |  | RTC clocked by LSE quartz in low drive mode with LPCAL = 0 | 1.8 V | 405   | -    | -    | -     | -     | -    | -    | -    | -     | -     |      |
|                            |  |  | 2.4 V | 486   | -    | -    | -     | -     | -    | -    | -    | -     | -     | -    |
|                            |  |  | 3 V   | 604   | -    | -    | -     | -     | -    | -    | -    | -     | -     | -    |
|                            |  |  | 3.6 V | 768   | -    | -    | -     | -     | -    | -    | -    | -     | -     | -    |
|                            |  | RTC clocked by LSE quartz in low drive mode with LPCAL = 1 | 1.8 V | 207   | -    | -    | -     | -     | -    | -    | -    | -     | -     | -    |
|                            |  |  | 2.4 V | 232   | -    | -    | -     | -     | -    | -    | -    | -     | -     | -    |
|                            |  |  | 3 V   | 272   | -    | -    | -     | -     | -    | -    | -    | -     | -     | -    |
|                            |  |  | 3.6 V | 345   | -    | -    | -     | -     | -    | -    | -    | -     | -     | -    |





Table 80. Current consumption in Shutdown mode (continued)

| Symbol                              | Parameter   | Conditions                        |     | TYP  |      |      |       |       | MAX  |      |      |       |       | Unit |
|-------------------------------------|---|-----------------------------------|-----|------|------|------|-------|-------|------|------|------|-------|-------|------|
|                                     |   | -                                 | VDD | 25°C | 55°C | 85°C | 105°C | 125°C | 25°C | 55°C | 85°C | 105°C | 125°C |      |
| IDD<br>(wakeup<br>from<br>Shutdown) | Supply<br>current during<br>wakeup from<br>Shutdown<br>mode | Wakeup clock<br>is<br>MSI = 4 MHz | 3 V | 0.53 | -    | -    | -     | -     | -    | -    | -    | -     | -     | mA   |

**Table 81. Current consumption in VBAT mode**

| Symbol        | Parameter                    | Conditions   |       | TYP  |      |      |       |       | MAX  |      |      |       |       | Unit |   |
|---------------|------------------------------|--|-------|------|------|------|-------|-------|------|------|------|-------|-------|------|---|
|               |                              | -  | VBAT  | 25°C | 55°C | 85°C | 105°C | 125°C | 25°C | 55°C | 85°C | 105°C | 125°C |      |   |
| IDD<br>(VBAT) | Backup domain supply current | RTC disabled   | 1.8 V | 3.4  | 45   | 307  | 966   | 2699  | -    | -    | -    | -     | -     | nA   |   |
|               |                              |  | 2.4 V | 3.9  | 55   | 358  | 1097  | 2995  | -    | -    | -    | -     | -     |      |   |
|               |                              |  | 3 V   | 5.9  | 73   | 447  | 1350  | 3699  | -    | -    | -    | -     | -     |      |   |
|               |                              |  | 3.6 V | 13.4 | 136  | 786  | 2303  | 6528  | -    | -    | -    | -     | -     |      |   |
|               |                              | RTC enabled and clocked by LSE bypassed at 32768 Hz with LPCAL = 0 | 1.8 V | 330  | 369  | 654  | 1303  | -     | -    | -    | -    | -     | -     |      | - |
|               |                              |  | 2.4 V | 446  | 528  | 843  | 1595  | -     | -    | -    | -    | -     | -     |      | - |
|               |                              |  | 3 V   | 632  | 727  | 1119 | 2045  | -     | -    | -    | -    | -     | -     |      | - |
|               |                              |  | 3.6 V | 867  | 996  | 1680 | 3247  | -     | -    | -    | -    | -     | -     |      | - |
|               |                              | RTC enabled and clocked by LSE bypassed at 32768 Hz with LPCAL=1   | 1.8 V | 130  | 381  | 692  | 1369  | -     | -    | -    | -    | -     | -     |      | - |
|               |                              |  | 2.4 V | 183  | 406  | 738  | 1499  | -     | -    | -    | -    | -     | -     |      | - |
|               |                              |  | 3 V   | 288  | 441  | 841  | 1761  | -     | -    | -    | -    | -     | -     |      | - |
|               |                              |  | 3.6 V | 392  | 518  | 1163 | 2707  | -     | -    | -    | -    | -     | -     |      | - |
|               |                              | RTC enabled and clocked by LSE quartz with LPCAL = 0               | 1.8 V | 387  | -    | -    | -     | -     | -    | -    | -    | -     | -     |      | - |
|               |                              |  | 2.4 V | 461  | -    | -    | -     | -     | -    | -    | -    | -     | -     |      | - |
|               |                              |  | 3 V   | 568  | -    | -    | -     | -     | -    | -    | -    | -     | -     |      | - |
|               |                              |  | 3.6 V | 700  | -    | -    | -     | -     | -    | -    | -    | -     | -     |      | - |
|               |                              | RTC enabled and clocked by LSE quartz with LPCAL = 1               | 1.8 V | 187  | -    | -    | -     | -     | -    | -    | -    | -     | -     |      | - |
|               |                              |  | 2.4 V | 202  | -    | -    | -     | -     | -    | -    | -    | -     | -     |      | - |
|               |                              |  | 3 V   | 229  | -    | -    | -     | -     | -    | -    | -    | -     | -     |      | - |
|               |                              |  | 3.6 V | 275  | -    | -    | -     | -     | -    | -    | -    | -     | -     |      | - |

### I/O system current consumption

The current consumption of the I/O system has two components: static and dynamic.

#### I/O static current consumption

All the I/Os used as inputs with pull-up generate current consumption when the pin is externally held low. The value of this current consumption can be simply computed by using the pull-up/pull-down resistors values given in [Table 102: I/O static characteristics](#).

For the output pins, any external pull-down or external load must also be considered to estimate the current consumption.

Additional I/O current consumption is due to I/Os configured as inputs if an intermediate voltage level is externally applied. This current consumption is caused by the input Schmitt trigger circuits used to discriminate the input value. Unless this specific configuration is required by the application, this supply current consumption can be avoided by configuring these I/Os in analog mode. This is notably the case of ADC input pins which should be configured as analog inputs.

**Caution:** Any floating input pin can also settle to an intermediate voltage level or switch inadvertently, as a result of external electromagnetic noise. To avoid current consumption related to floating pins, they must either be configured in analog mode, or forced internally to a definite digital value. This can be done either by using pull-up/down resistors or by configuring the pins in output mode.

#### I/O dynamic current consumption

In addition to the internal peripheral current consumption measured previously (see ), the I/Os used by an application also contribute to the current consumption. When an I/O pin switches, it uses the current from the I/O supply voltage to supply the I/O pin circuitry and to charge/discharge the capacitive load (internal or external) connected to the pin:

$$I_{SW} = V_{DDIOx} \times f_{SW} \times C$$

where

$I_{SW}$  is the current sunk by a switching I/O to charge/discharge the capacitive load

$V_{DDIOx}$  is the I/O supply voltage

$f_{SW}$  is the I/O switching frequency

$C$  is the total capacitance seen by the I/O pin:  $C = C_{INT} + C_{EXT} + C_S$

$C_S$  is the PCB board capacitance including the pad pin.

The test pin is configured in push-pull output mode and is toggled by software at a fixed frequency.

**On-chip peripheral current consumption**

The current consumption of the on-chip peripherals is given in [Table 82](#). The MCU is placed under the following conditions:

- All I/O pins are in Analog mode
- The given value is calculated by measuring the difference of the current consumptions:
  - when the peripheral is clocked on
  - when the peripheral is clocked off
- Ambient operating temperature and supply voltage conditions summarized in [Table 24: Voltage characteristics](#)
- The power consumption of the digital part of the on-chip peripherals is given in [Table 82](#). The power consumption of the analog part of the peripherals (where applicable) is indicated in each related section of the datasheet.

**Table 82. Peripheral current consumption**

|                              | Peripheral           | Range 0 | Range 1 | Range 2 | Low-power run and sleep | Unit   |
|------------------------------|----------------------|---------|---------|---------|-------------------------|--------|
| AHB                          | Bus matrix           | 5.85    | 5.47    | 4.09    | 5.36                    | μA/MHz |
|                              | DMA1                 | 3.67    | 3.38    | 2.54    | 3.16                    |        |
|                              | DMA2                 | 3.71    | 3.43    | 2.56    | 3.20                    |        |
|                              | DMAMUX1              | 7.11    | 6.64    | 4.96    | 6.16                    |        |
|                              | FLASH                | 5.32    | 4.95    | 3.69    | 4.59                    |        |
|                              | SRAM1                | 2.03    | 1.90    | 1.43    | 1.75                    |        |
|                              | CRC                  | 1.05    | 0.99    | 0.76    | 0.95                    |        |
|                              | TSC                  | 1.77    | 1.67    | 1.24    | 1.49                    |        |
|                              | GTZC                 | 0.38    | 0.36    | 0.27    | 0.35                    |        |
|                              | ICACHE               | 0.38    | 0.38    | 0.27    | 1.00                    |        |
|                              | GPIOA                | 0.40    | 0.41    | 0.30    | 0.32                    |        |
|                              | GPIOB                | 0.25    | 0.23    | 0.17    | 0.22                    |        |
|                              | GPIOC                | 0.31    | 0.27    | 0.21    | 0.37                    |        |
|                              | GIOD                 | 0.30    | 0.26    | 0.21    | 0.26                    |        |
|                              | GPIOE                | 0.19    | 0.17    | 0.16    | 0.21                    |        |
|                              | GPIOF                | 0.21    | 0.18    | 0.14    | 0.19                    |        |
|                              | GPIOG                | 0.32    | 0.26    | 0.22    | 0.31                    |        |
|                              | GPIOH                | 0.29    | 0.27    | 0.21    | 0.25                    |        |
|                              | SRAM2                | 3.32    | 3.08    | 2.34    | 2.90                    |        |
|                              | ADC AHB clock domain | 5.92    | 5.49    | 4.16    | 5.11                    |        |
| ADC independent clock domain | 0.15                 | 0.14    | 0.08    | 0.14    |                         |        |
| AHB                          | AES                  | 4.05    | 3.83    | 2.85    | 3.50                    | μA/MHz |

Table 82. Peripheral current consumption (continued)

| Peripheral             |                                 | Range 0 | Range 1 | Range 2 | Low-power run and sleep | Unit   |
|------------------------|---------------------------------|---------|---------|---------|-------------------------|--------|
| AHB<br>(Cont)          | HASH                            | 3.91    | 3.64    | 2.74    | 3.44                    | µA/MHz |
|                        | RNG AHB clock domain            | 2.44    | 2.27    | NA      | NA                      |        |
|                        | RNG independent clock domain    | 4.55    | 6.12    | NA      | NA                      |        |
|                        | PKA                             | 0.02    | 0.01    | 0.02    | 4.50                    | µA/MHz |
|                        | OTFDEC1                         | 2.42    | 2.30    | 1.69    | 2.50                    | µA/MHz |
|                        | SDMMC1 AHB clock domain         | 20.52   | 19.07   | NA      | NA                      |        |
|                        | SDMMC1 independent clock domain | 4.92    | 6.63    | NA      | NA                      |        |
|                        | FMC                             | 11.17   | 10.39   | 7.82    | 9.90                    |        |
|                        | OSPI1 AHB clock domain          | 10.77   | 10.00   | 7.61    | 9.57                    |        |
|                        | OPSPI1 independent clock domain | 0.12    | 0.11    | 0.04    | 1.00                    |        |
|                        | ALL AHB peripherals             | 47.58   | 47.47   | 55.06   | 350.76                  |        |
| APB1                   | AHB to APB1 bridge              | 0.41    | 0.43    | 0.36    | 0.61                    | µA/MHz |
|                        | TIM2                            | 6.65    | 6.19    | 4.67    | 5.81                    |        |
|                        | TIM3                            | 5.46    | 5.08    | 3.82    | 4.75                    |        |
|                        | TIM4                            | 5.38    | 5.02    | 3.78    | 4.73                    |        |
|                        | TIM5                            | 6.92    | 6.47    | 4.86    | 6.08                    |        |
|                        | TIM6                            | 1.12    | 1.04    | 0.79    | 0.98                    |        |
|                        | TIM7                            | 1.24    | 1.16    | 0.86    | 0.98                    |        |
|                        | RTCAPB                          | 3.50    | 3.32    | 2.50    | 3.08                    |        |
|                        | WWDG                            | 0.58    | 0.52    | 0.40    | 0.48                    |        |
|                        | SPI2                            | 2.52    | 2.34    | 1.78    | 2.25                    |        |
|                        | SPI3                            | 2.39    | 2.22    | 1.69    | 2.16                    |        |
|                        | USART2 APB clock domain         | 3.40    | 3.14    | 2.39    | 3.03                    |        |
|                        | USART2 independent clock domain | 6.41    | 5.99    | 4.50    | 5.53                    |        |
|                        | USART3 APB clock domain         | 2.96    | 2.73    | 2.12    | 2.57                    |        |
|                        | USART3 independent clock domain | 6.96    | 6.49    | 4.86    | 6.09                    |        |
|                        | UART4 APB clock domain          | 2.81    | 2.60    | 1.99    | 2.48                    |        |
|                        | UART4 independent clock domain  | 5.59    | 5.26    | 3.95    | 4.85                    |        |
| UART5 APB clock domain | 2.75                            | 2.58    | 1.99    | 2.45    |                         |        |

**Table 82. Peripheral current consumption (continued)**

| Peripheral                     |                                  | Range 0 | Range 1 | Range 2           | Low-power run and sleep | Unit   |
|--------------------------------|----------------------------------|---------|---------|-------------------|-------------------------|--------|
| APB1<br>(Cont)                 | UART5 independent clock domain   | 5.59    | 5.19    | 3.90              | 4.79                    | µA/MHz |
|                                | I2C1 APB clock domain            | 1.42    | 1.34    | 1.00              | 1.22                    |        |
|                                | I2C1 independent clock domain    | 3.47    | 3.22    | 2.46              | 3.12                    |        |
|                                | I2C2 APB clock domain            | 1.32    | 1.24    | 0.93              | 1.10                    |        |
|                                | I2C2 independent clock domain    | 3.33    | 3.11    | 2.37              | 3.06                    |        |
|                                | I2C3 APB clock domain            | 1.14    | 1.05    | 0.81              | 0.90                    |        |
|                                | I2C3 independent clock domain    | 2.75    | 2.58    | 1.97              | 2.61                    |        |
|                                | CRS                              | 0.35    | 0.30    | 0.22              | 0.50                    |        |
|                                | PWR                              | 1.54    | 1.44    | 1.03              | 1.22                    |        |
|                                | DAC1                             | 2.89    | 2.69    | 2.03              | 2.43                    |        |
|                                | OPAMP                            | 0.34    | 0.36    | 0.23              | 1.00                    |        |
|                                | LPTIM1 APB clock domain          | 1.10    | 1.01    | 0.78              | 0.87                    |        |
|                                | LPTIM1 independent clock domain  | 3.37    | 3.18    | 2.39              | 3.07                    |        |
|                                | LPUART1 APB clock domain         | 1.66    | 1.54    | 1.19              | 1.61                    |        |
|                                | LPUART1 independent clock domain | 3.43    | 3.24    | 2.44              | 2.99                    |        |
|                                | I2C4 APB clock domain            | 1.40    | 1.28    | 0.97              | 1.24                    |        |
|                                | I2C4 independent clock domain    | 3.31    | 3.11    | 2.34              | 2.90                    |        |
|                                | LPTIM2 APB clock domain          | 1.36    | 1.26    | 0.96              | 1.15                    |        |
|                                | LPTIM2 independent clock domain  | 3.80    | 3.58    | 2.66              | 3.35                    |        |
|                                | LPTIM3 APB clock domain          | 1.02    | 0.93    | 0.74              | 0.94                    |        |
|                                | LPTIM3 independent clock domain  | 3.16    | 2.98    | 2.21              | 2.80                    |        |
| FDCAN APB clock domain         | 7.99                             | 7.41    | 5.56    | 6.70              |                         |        |
| FDCAN independent clock domain | 0.16                             | 0.22    | 3.20    | 4.05              |                         |        |
| USBFS APB clock domain         | 3.51                             | 3.25    | NA      | NA                |                         |        |
| USBFS independent clock domain | 4.53                             | 6.08    | NA      | NA                |                         |        |
| UCPD1                          | 2.67                             | 2.46    | 1.84    | NA <sup>(1)</sup> |                         |        |
| APB2                           | AHB to APB2 bridge               | 6.64    | 6.16    | 4.68              | 8.43                    | µA/MHz |
|                                | SYSCFG                           | 0.75    | 0.71    | 0.54              | 0.67                    |        |
|                                | TIM1                             | 9.40    | 8.74    | 6.57              | 8.33                    |        |
|                                | SPI1                             | 2.69    | 2.51    | 1.90              | 2.43                    |        |
|                                | TIM8                             | 8.94    | 8.34    | 6.29              | 8.06                    |        |
|                                | USART1 APB clock domain          | 3.16    | 2.92    | 2.23              | 3.09                    |        |

**Table 82. Peripheral current consumption (continued)**

| Peripheral     |                                 | Range 0 | Range 1 | Range 2 | Low-power run and sleep | Unit   |
|----------------|---------------------------------|---------|---------|---------|-------------------------|--------|
| APB2<br>(Cont) | USART1 independent clock domain | 7.01    | 6.54    | 4.91    | 6.01                    | μA/MHz |
|                | TIM15                           | 4.93    | 4.60    | 3.45    | 4.45                    |        |
|                | TIM16                           | 3.27    | 3.05    | 2.29    | 2.83                    |        |
|                | TIM17                           | 3.76    | 3.49    | 2.62    | 3.40                    |        |
|                | SAI1 APB clock domain           | 3.04    | 2.84    | 2.12    | 0.50                    |        |
|                | SAI1 independent clock domain   | 2.20    | 2.92    | 2.85    | 2.5                     |        |
|                | SAI2 APB clock domain           | 3.32    | 3.07    | 2.30    | 2.99                    |        |
|                | SAI2 independent clock domain   | 2.14    | 2.94    | 3       | 3                       |        |
| DFSDM1         | 8.18                            | 7.61    | 5.73    | 7.42    |                         |        |
| ALL            | -                               | 275.73  | 256.25  | 188.42  | 233                     |        |

1. The UCPD1 is always clocked by the HSI16.

### 5.3.7 Wakeup time from low-power modes and voltage scaling transition times

The wakeup times given in [Table 83](#) are the latency between the event and the execution of the first user instruction.

The device goes in low-power mode after the WFE (wait for event) instruction.

**Table 83. Low-power mode wakeup timings<sup>(1)</sup>**

| -       | Parameter   | Conditions  |       | Typ     | Max   | Unit                 |      |       |
|---------|---|---|-------|---------|-------|----------------------|------|-------|
| Sleep   | Wakeup time from Sleep mode to Run mode                     | -   |       | 14      | 17    | Number of CPU cycles |      |       |
|         | Wakeup time from Low-power sleep mode to Low-power run mode | Sleep Power Down (SLEEP_PD=1 in FLASH_ACR) and with clock MSI = 2 MHz |       | 14      | 17    |                      |      |       |
| Stop 0  | Flash   | Range 1   | MSI48 | 5.83    | 6.26  | μs                   |      |       |
|         |   |   | HSI16 | 5.23    | 5.46  |                      |      |       |
|         |   | Range 2   | MSI24 | 18.48   | 18.96 |                      |      |       |
|         |   |   | MSI4  | 23.36   | 24.59 |                      |      |       |
|         | SRAM1   | Range 1   | MSI48 | 1.79    | 2.16  |                      |      |       |
|         |   |   | HSI16 | 2.79    | 3.01  |                      |      |       |
|         |   | Range 2   | MSI24 | 2.43    | 2.82  |                      |      |       |
|         |   |   | MSI4  | 9.66    | 10.88 |                      |      |       |
|         |   | Stop 1  | Flash | Range 1 | MSI48 |                      | 9.74 | 10.22 |
|         |   |   |       |         | HSI16 |                      | 9.22 | 9.67  |
| Range 2 | MSI24   |   |       | 21.84   | 22.63 |                      |      |       |
|         | MSI4  |   |       | 25.48   | 26.34 |                      |      |       |
| SRAM1   | Range 1   |   | MSI48 | 5.58    | 5.95  |                      |      |       |
|         |   |   | HSI16 | 6.68    | 7.06  |                      |      |       |
|         | Range 2   |   | MSI24 | 5.69    | 6.24  |                      |      |       |
|         |   |   | MSI4  | 11.04   | 11.99 |                      |      |       |
| Flash   | Low Power Run (LPR=1)                                       |   | MSI2  | 81.2    | 82.5  |                      |      |       |
| SRAM1   |   |   |       | 17.8    | 19    |                      |      |       |



**Table 83. Low-power mode wakeup timings<sup>(1)</sup> (continued)**

| -        | Parameter        | Conditions |       | Typ    | Max    | Unit |
|----------|------------------|------------|-------|--------|--------|------|
| Stop 2   | Flash            | Range 1    | MSI48 | 11.20  | 11.64  | μs   |
|          |                  |            | HSI16 | 10.35  | 10.77  |      |
|          |                  | Range 2    | MSI24 | 23.76  | 24.15  |      |
|          |                  |            | HSI16 | 22.24  | 22.62  |      |
|          |                  |            | MSI4  | 27.81  | 28.46  |      |
|          |                  |            | MSI4  | 27.81  | 28.46  |      |
|          | SRAM1            | Range 1    | MSI48 | 6.19   | 6.61   |      |
|          |                  |            | HSI16 | 7.33   | 7.75   |      |
|          |                  | Range 2    | MSI24 | 6.31   | 6.64   |      |
|          |                  |            | HSI16 | 6.89   | 7.22   |      |
| MSI4     |                  |            | 11.69 | 12.36  |        |      |
| MSI4     |                  |            | 11.69 | 12.36  |        |      |
| Standby  | Flash            | Range 2    | MSI8  | 52.5   | 55.73  |      |
|          |                  |            | MSI4  | 52.58  | 55.78  |      |
|          | Flash with SRAM2 | Range 2    | MSI8  | 52.5   | 55.74  |      |
|          |                  |            | MSI4  | 52.60  | 55.73  |      |
| Shutdown | Flash            | Range 2    | MSI4  | 276.48 | 292.42 |      |

1. Guaranteed by characterization results.

**Table 84. Regulator modes transition times<sup>(1)</sup>**

| Symbol               | Parameter  | Conditions               | Typ | Max | Unit |
|----------------------|--|--------------------------|-----|-----|------|
| t <sub>WULPRUN</sub> | Wakeup time from Low-power run mode to Run mode <sup>(2)</sup>                         | Code run with MSI 2 MHz  | 5   | 7   | μs   |
| t <sub>VOST</sub>    | Regulator transition time from Range 2 to Range 1 or Range 1 to Range 2 <sup>(3)</sup> | Code run with MSI 24 MHz | 20  | 40  |      |

1. Guaranteed by characterization results.
2. Time until REGLPF flag is cleared in PWR\_SR2.
3. Time until VOSF flag is cleared in PWR\_SR2.

**Table 85. Wakeup time using USART/LPUART<sup>(1)</sup>**

| Symbol  | Parameter  | Conditions    | Typ | Max | Unit |
|---|--|---------------|-----|-----|------|
| t <sub>WUUSART</sub><br>t <sub>WULPUART</sub> | Wakeup time needed to calculate the maximum USART/LPUART baudrate allowing to wakeup up from stop mode when USART/LPUART clock source is HSI | Stop mode 0   | -   | 1.7 | μs   |
|   |  | Stop mode 1/2 | -   | 8.5 |      |

1. Guaranteed by design.

### 5.3.8 External clock source characteristics

#### High-speed external user clock generated from an external source

In bypass mode the HSE oscillator is switched off and the input pin is a standard GPIO.

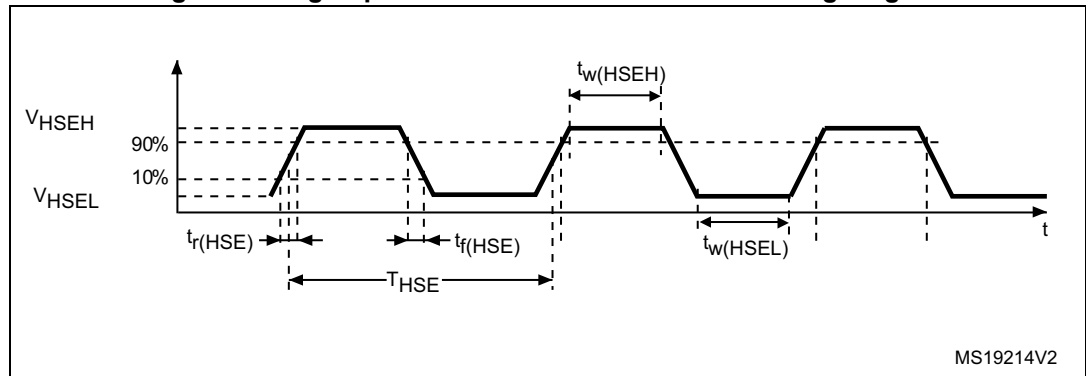
The external clock signal has to respect the I/O characteristics in [Section 5.3.15](#). However, the recommended clock input waveform is shown in [Figure 33: High-speed external clock source AC timing diagram](#).

**Table 86. High-speed external user clock characteristics<sup>(1)</sup>**

| Symbol                         | Parameter                            | Conditions                    | Min             | Typ | Max             | Unit |
|--------------------------------|--------------------------------------|-------------------------------|-----------------|-----|-----------------|------|
| $f_{HSE\_ext}$                 | User external clock source frequency | Voltage scaling Range 0 and 1 | -               | 8   | 48              | MHz  |
|                                |                                      | Voltage scaling Range 2       | -               | 8   | 26              |      |
| $V_{HSEH}$                     | OSC_IN input pin high level voltage  | -                             | $0.7 V_{DDIOx}$ | -   | $V_{DDIOx}$     | V    |
| $V_{HSEL}$                     | OSC_IN input pin low level voltage   | -                             | $V_{SS}$        | -   | $0.3 V_{DDIOx}$ |      |
| $t_{w(HSEH)}$<br>$t_{w(HSEL)}$ | OSC_IN high or low time              | Voltage scaling Range 0 and 1 | 7               | -   | -               | ns   |
|                                |                                      | Voltage scaling Range 2       | 18              | -   | -               |      |

1. Guaranteed by design.

**Figure 33. High-speed external clock source AC timing diagram**



**Low-speed external user clock generated from an external source**

In bypass mode the LSE oscillator is switched off and the input pin is a standard GPIO.

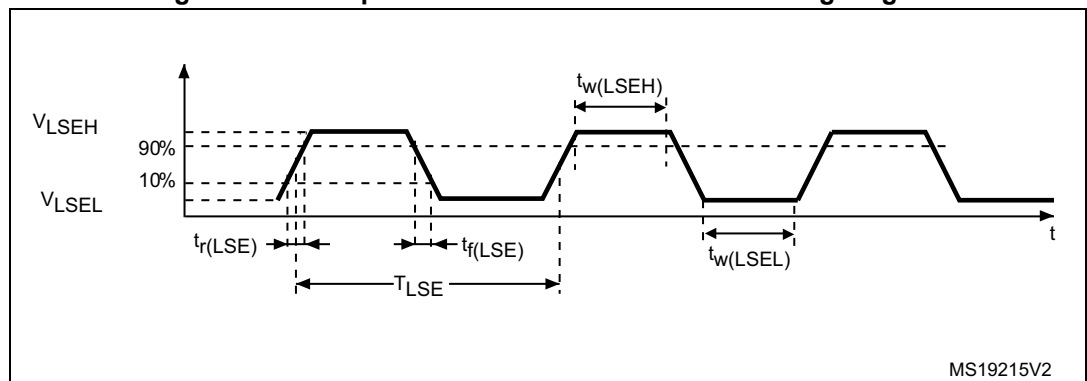
The external clock signal has to respect the I/O characteristics in [Section 5.3.15](#). However, the recommended clock input waveform is shown in [Figure 34](#).

**Table 87. Low-speed external user clock characteristics<sup>(1)</sup>**

| Symbol                         | Parameter                             | Conditions | Min             | Typ    | Max             | Unit |
|--------------------------------|---------------------------------------|------------|-----------------|--------|-----------------|------|
| $f_{LSE\_ext}$                 | User external clock source frequency  | -          | -               | 32.768 | 1000            | kHz  |
| $V_{LSEH}$                     | OSC32_IN input pin high level voltage | -          | $0.7 V_{DDIOx}$ | -      | $V_{DDIOx}$     | V    |
| $V_{LSEL}$                     | OSC32_IN input pin low level voltage  | -          | $V_{SS}$        | -      | $0.3 V_{DDIOx}$ |      |
| $t_{w(LSEH)}$<br>$t_{w(LSEL)}$ | OSC32_IN high or low time             | -          | 250             | -      | -               | ns   |

1. Guaranteed by design.

**Figure 34. Low-speed external clock source AC timing diagram**



MS19215V2

### High-speed external clock generated from a crystal/ceramic resonator

The high-speed external (HSE) clock can be supplied with a 4 to 48 MHz crystal/ceramic resonator oscillator. All the information given in this paragraph are based on design simulation results obtained with typical external components specified in [Table 88](#). In the application, the resonator and the load capacitors have to be placed as close as possible to the oscillator pins in order to minimize output distortion and startup stabilization time. Refer to the crystal resonator manufacturer for more details on the resonator characteristics (frequency, package, accuracy).

**Table 88. HSE oscillator characteristics<sup>(1)</sup>**

| Symbol              | Parameter                                 | Conditions <sup>(2)</sup>  | Min | Typ  | Max | Unit       |
|---------------------|---|--|-----|------|-----|------------|
| $f_{OSC\_IN}$       | Oscillator frequency                      | -  | 4   | 8    | 48  | MHz        |
| $R_F$               | Feedback resistor                         | -  | -   | 200  | -   | k $\Omega$ |
| $I_{DD(HSE)}$       | HSE current consumption                   | During startup <sup>(3)</sup>  | -   | -    | 5.5 | mA         |
|                     |   | $V_{DD} = 3\text{ V}$ ,<br>$R_m = 30\ \Omega$ ,<br>$CL = 10\text{ pF}@8\text{ MHz}$  | -   | 0.44 | -   |            |
|                     |   | $V_{DD} = 3\text{ V}$ ,<br>$R_m = 45\ \Omega$ ,<br>$CL = 10\text{ pF}@8\text{ MHz}$  | -   | 0.45 | -   |            |
|                     |   | $V_{DD} = 3\text{ V}$ ,<br>$R_m = 30\ \Omega$ ,<br>$CL = 5\text{ pF}@48\text{ MHz}$  | -   | 0.68 | -   |            |
|                     |   | $V_{DD} = 3\text{ V}$ ,<br>$R_m = 30\ \Omega$ ,<br>$CL = 10\text{ pF}@48\text{ MHz}$ | -   | 0.94 | -   |            |
|                     |   | $V_{DD} = 3\text{ V}$ ,<br>$R_m = 30\ \Omega$ ,<br>$CL = 20\text{ pF}@48\text{ MHz}$ | -   | 1.77 | -   |            |
| $G_m$               | Maximum critical crystal transconductance | Startup  | -   | -    | 1.5 | mA/V       |
| $t_{SU(HSE)}^{(4)}$ | Startup time                              | $V_{DD}$ is stabilized   | -   | 2    | -   | ms         |

1. Guaranteed by design.
2. Resonator characteristics given by the crystal/ceramic resonator manufacturer.
3. This consumption level occurs during the first 2/3 of the  $t_{SU(HSE)}$  startup time
4.  $t_{SU(HSE)}$  is the startup time measured from the moment it is enabled (by software) to a stabilized 8 MHz oscillation is reached. This value is measured for a standard crystal resonator and it can vary significantly with the crystal manufacturer

For  $C_{L1}$  and  $C_{L2}$ , it is recommended to use high-quality external ceramic capacitors in the 5 pF to 20 pF range (typ.), designed for high-frequency applications, and selected to match the requirements of the crystal or resonator (see [Figure 35](#)).  $C_{L1}$  and  $C_{L2}$  are usually the same size. The crystal manufacturer typically specifies a load capacitance which is the series combination of  $C_{L1}$  and  $C_{L2}$ . PCB and MCU pin capacitance must be included (10 pF can be used as a rough estimate of the combined pin and board capacitance) when sizing  $C_{L1}$  and  $C_{L2}$ .

Note: For information on selecting the crystal, refer to the application note AN2867 “Oscillator design guide for ST microcontrollers” available from the ST website [www.st.com](http://www.st.com).

Figure 35. Typical application with an 8 MHz crystal



1.  $R_{EXT}$  value depends on the crystal characteristics.

### Low-speed external clock generated from a crystal resonator

The low-speed external (LSE) clock can be supplied with a 32.768 kHz crystal resonator oscillator. All the information given in this paragraph are based on design simulation results obtained with typical external components specified in [Table 89](#). In the application, the resonator and the load capacitors have to be placed as close as possible to the oscillator pins in order to minimize output distortion and startup stabilization time. Refer to the crystal resonator manufacturer for more details on the resonator characteristics (frequency, package, accuracy).

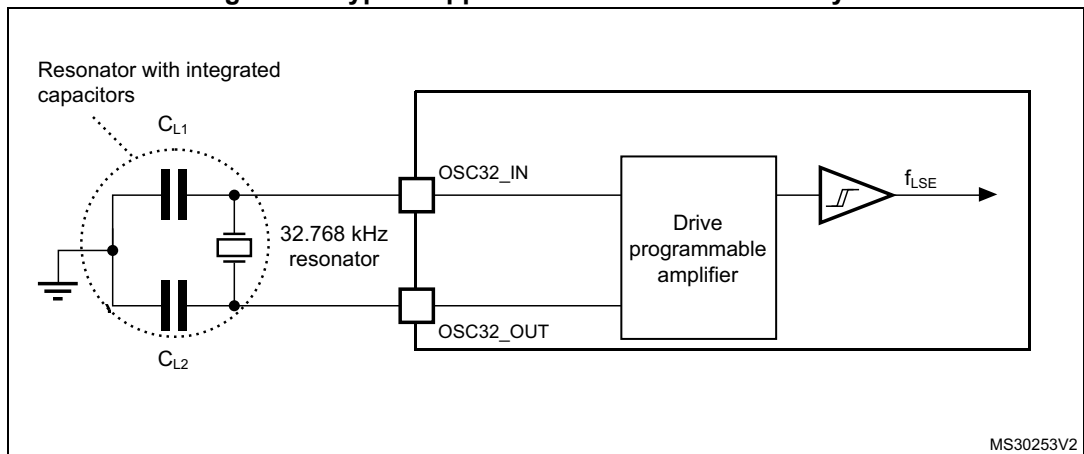
**Table 89. LSE oscillator characteristics ( $f_{LSE} = 32.768 \text{ kHz}$ )<sup>(1)</sup>**

| Symbol                       | Parameter                   | Conditions <sup>(2)</sup>                        | Min | Typ | Max  | Unit      |
|------------------------------|-----------------------------|--|-----|-----|------|-----------|
| $I_{DD(LSE)}$                | LSE current consumption     | LSEDRV[1:0] = 00<br>Low drive capability         | -   | 250 | -    | nA        |
|                              |                             | LSEDRV[1:0] = 01<br>Medium low drive capability  | -   | 315 | -    |           |
|                              |                             | LSEDRV[1:0] = 10<br>Medium high drive capability | -   | 500 | -    |           |
|                              |                             | LSEDRV[1:0] = 11<br>High drive capability        | -   | 630 | -    |           |
| $G_{m_{critmax}}$            | Maximum critical crystal gm | LSEDRV[1:0] = 00<br>Low drive capability         | -   | -   | 0.5  | $\mu A/V$ |
|                              |                             | LSEDRV[1:0] = 01<br>Medium low drive capability  | -   | -   | 0.75 |           |
|                              |                             | LSEDRV[1:0] = 10<br>Medium high drive capability | -   | -   | 1.7  |           |
|                              |                             | LSEDRV[1:0] = 11<br>High drive capability        | -   | -   | 2.7  |           |
| $t_{SU(LSE)}$ <sup>(3)</sup> | Startup time                | $V_{DD}$ is stabilized                           | -   | 2   | -    | s         |

1. Guaranteed by design.
2. Refer to the note and caution paragraphs below the table, and to the application note AN2867 "Oscillator design guide for ST microcontrollers".
3.  $t_{SU(LSE)}$  is the startup time measured from the moment it is enabled (by software) to a stabilized 32.768 kHz oscillation is reached. This value is measured for a standard crystal and it can vary significantly with the crystal manufacturer

**Note:** For information on selecting the crystal, refer to the application note AN2867 "Oscillator design guide for ST microcontrollers" available from the ST website [www.st.com](http://www.st.com).

**Figure 36. Typical application with a 32.768 kHz crystal**



**Note:** An external resistor is not required between OSC32\_IN and OSC32\_OUT and it is forbidden to add one.

### 5.3.9 Internal clock source characteristics

The parameters given in [Table 90](#) are derived from tests performed under ambient temperature and supply voltage conditions summarized in [Table 27: General operating conditions](#). The provided curves are characterization results, not tested in production.

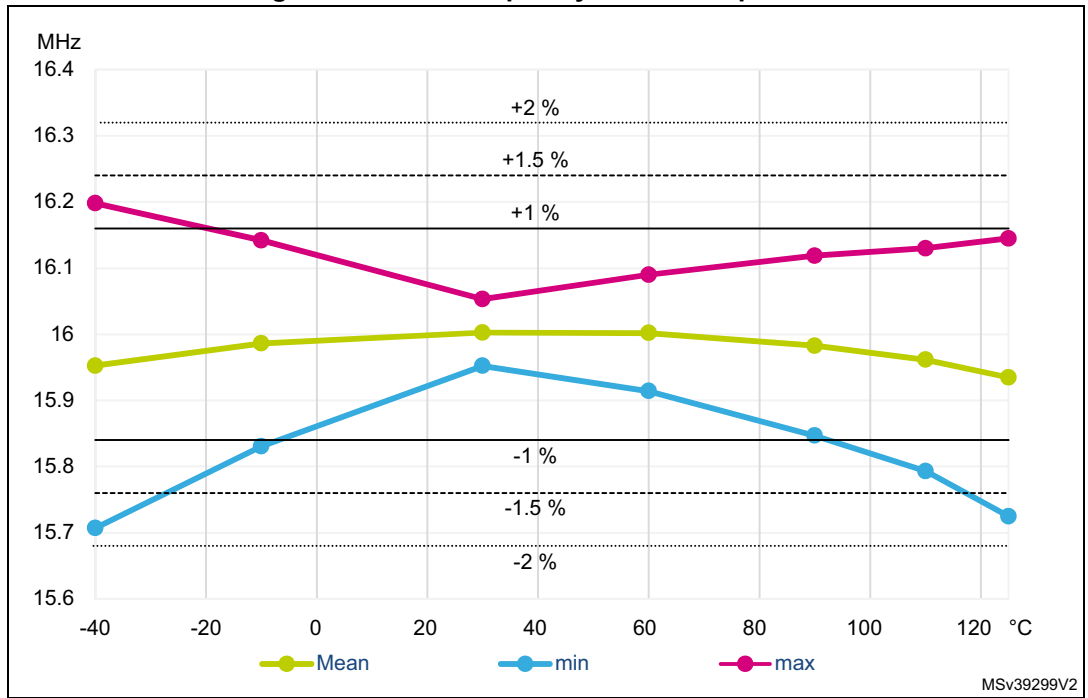
#### High-speed internal (HSI16) RC oscillator

**Table 90. HSI16 oscillator characteristics<sup>(1)</sup>**

| Symbol                                | Parameter   | Conditions   | Min   | Typ | Max   | Unit          |
|---------------------------------------|---|--|-------|-----|-------|---------------|
| $f_{\text{HSI16}}$                    | HSI16 Frequency                                       | $V_{\text{DD}}=3.0\text{ V}$ , $T_{\text{A}}=30\text{ °C}$ | 15.88 | -   | 16.08 | MHz           |
| TRIM                                  | HSI16 user trimming step                              | Trimming code is not a multiple of 64                      | 0.2   | 0.3 | 0.4   | %             |
|                                       |   | Trimming code is a multiple of 64                          | -4    | -6  | -8    |               |
| $\text{DuCy}(\text{HSI16})^{(2)}$     | Duty Cycle  | -  | 45    | -   | 55    | %             |
| $\Delta_{\text{Temp}}(\text{HSI16})$  | HSI16 oscillator frequency drift over temperature     | $T_{\text{A}}=0\text{ to }85\text{ °C}$                    | -1    | -   | 1     | %             |
|                                       |   | $T_{\text{A}}=-40\text{ to }125\text{ °C}$                 | -2    | -   | 1.5   | %             |
| $\Delta_{\text{VDD}}(\text{HSI16})$   | HSI16 oscillator frequency drift over $V_{\text{DD}}$ | $V_{\text{DD}}=1.62\text{ V to }3.6\text{ V}$              | -0.1  | -   | 0.05  | %             |
| $t_{\text{su}}(\text{HSI16})^{(2)}$   | HSI16 oscillator start-up time                        | -  | -     | 0.8 | 1.2   | $\mu\text{s}$ |
| $t_{\text{stab}}(\text{HSI16})^{(2)}$ | HSI16 oscillator stabilization time                   | -  | -     | 3   | 5     | $\mu\text{s}$ |
| $I_{\text{DD}}(\text{HSI16})^{(2)}$   | HSI16 oscillator power consumption                    | -  | -     | 155 | 190   | $\mu\text{A}$ |

1. Guaranteed by characterization results.
2. Guaranteed by design.

Figure 37. HSI16 frequency versus temperature





Multi-speed internal (MSI) RC oscillator

Table 91. MSI oscillator characteristics<sup>(1)</sup>

| Symbol                                 | Parameter   | Conditions                      |                                | Min   | Typ     | Max   | Unit |
|--|---|---------------------------------|--------------------------------|-------|---------|-------|------|
| f <sub>MSI</sub>                       | MSI frequency after factory calibration, done at V <sub>DD</sub> =3 V and T <sub>A</sub> =30 °C | MSI mode                        | Range 0                        | 98.7  | 100     | 101.3 | kHz  |
|  |   |                                 | Range 1                        | 197.4 | 200     | 202.6 |      |
|  |   |                                 | Range 2                        | 394.8 | 400     | 405.2 |      |
|  |   |                                 | Range 3                        | 7896  | 800     | 810.4 |      |
|  |   |                                 | Range 4                        | 0.987 | 1       | 1.013 | MHz  |
|  |   |                                 | Range 5                        | 1.974 | 2       | 2.026 |      |
|  |   |                                 | Range 6                        | 3.948 | 4       | 4.052 |      |
|  |   |                                 | Range 7                        | 7.896 | 8       | 8.104 |      |
|  |   |                                 | Range 8                        | 15.79 | 16      | 16.21 |      |
|  |   |                                 | Range 9                        | 23.69 | 24      | 24.31 |      |
|  |   |                                 | Range 10                       | 31.58 | 32      | 32.42 |      |
|  |   | Range 11                        | 47.38                          | 48    | 48.62   |       |      |
|  |   | PLL mode<br>XTAL=<br>32.768 kHz | Range 0                        | -     | 98.304  | -     | kHz  |
|  |   |                                 | Range 1                        | -     | 196.608 | -     |      |
|  |   |                                 | Range 2                        | -     | 393.216 | -     |      |
|  |   |                                 | Range 3                        | -     | 786.432 | -     |      |
|  |   |                                 | Range 4                        | -     | 1.016   | -     | MHz  |
|  |   |                                 | Range 5                        | -     | 1.999   | -     |      |
|  |   |                                 | Range 6                        | -     | 3.998   | -     |      |
|  |   |                                 | Range 7                        | -     | 7.995   | -     |      |
|  |   |                                 | Range 8                        | -     | 15.991  | -     |      |
|  |   |                                 | Range 9                        | -     | 23.986  | -     |      |
| Range 10                               | -   |                                 | 32.014                         | -     |         |       |      |
| Range 11                               | -   | 48.005                          | -                              |       |         |       |      |
| Δ <sub>TEMP</sub> (MSI) <sup>(2)</sup> | MSI oscillator frequency drift over temperature   | MSI mode                        | T <sub>A</sub> = -0 to 85 °C   | -3.5  | -       | 3     | %    |
|  |   |                                 | T <sub>A</sub> = -40 to 125 °C | -8    | -       | 6     |      |

Table 91. MSI oscillator characteristics<sup>(1)</sup> (continued)

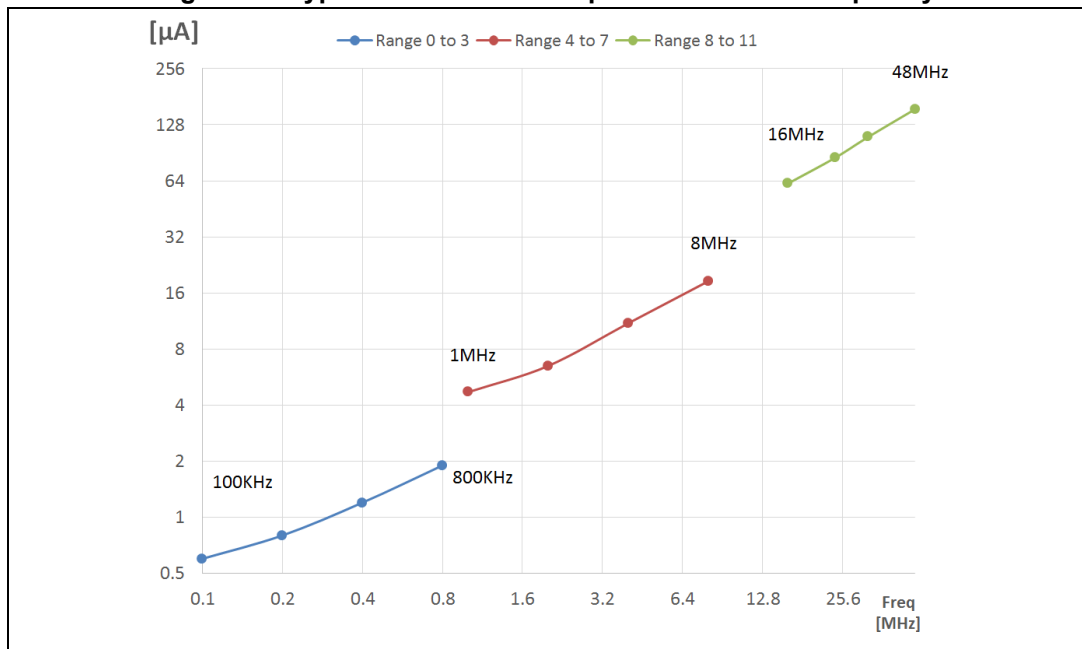
| Symbol                              | Parameter   | Conditions        |                         | Min                      | Typ  | Max  | Unit |    |
|-------------------------------------|---|-------------------|-------------------------|--------------------------|------|------|------|----|
| $\Delta V_{DD}(MSI)^{(2)}$          | MSI oscillator frequency drift over $V_{DD}$ (reference is 3 V) | MSI mode          | Range 0 to 3            | $V_{DD}=1.62$ V to 3.6 V | -1.2 | -    | 0.5  | %  |
|                                     |   |                   |                         | $V_{DD}=2.4$ V to 3.6 V  | -0.5 | -    |      |    |
|                                     |   |                   | Range 4 to 7            | $V_{DD}=1.62$ V to 3.6 V | -2.5 | -    | 0.7  |    |
|                                     |   |                   |                         | $V_{DD}=2.4$ V to 3.6 V  | -0.8 | -    |      |    |
|                                     |   |                   | Range 8 to 11           | $V_{DD}=1.62$ V to 3.6 V | -5   | -    | 1    |    |
|                                     |   |                   |                         | $V_{DD}=2.4$ V to 3.6 V  | -1.6 | -    |      |    |
| $\Delta F_{SAMPLING}(MSI)^{(2)(4)}$ | Frequency variation in sampling mode <sup>(3)</sup>             | MSI mode          | $T_A = -40$ to $85$ °C  |                          | -    | 1    | 2    | %  |
|                                     |   |                   | $T_A = -40$ to $125$ °C |                          | -    | 2    | 4    |    |
| CC jitter(MSI) <sup>(4)</sup>       | RMS cycle-to-cycle jitter                                       | PLL mode Range 11 |                         | -                        | -    | 60   | -    | ps |
| P jitter(MSI) <sup>(4)</sup>        | RMS Period jitter   | PLL mode Range 11 |                         | -                        | -    | 50   | -    | ps |
| $t_{SU}(MSI)^{(4)}$                 | MSI oscillator start-up time                                    | Range 0           |                         | -                        | -    | 10   | 20   | us |
|                                     |   | Range 1           |                         | -                        | -    | 5    | 10   |    |
|                                     |   | Range 2           |                         | -                        | -    | 4    | 8    |    |
|                                     |   | Range 3           |                         | -                        | -    | 3    | 7    |    |
|                                     |   | Range 4 to 7      |                         | -                        | -    | 3    | 6    |    |
|                                     |   | Range 8 to 11     |                         | -                        | -    | 2.5  | 6    |    |
| $t_{STAB}(MSI)^{(4)}$               | MSI oscillator stabilization time                               | PLL mode Range 11 | 10 % of final frequency | -                        | -    | 0.25 | 0.5  | ms |
|                                     |   |                   | 5 % of final frequency  | -                        | -    | 0.5  | 1.25 |    |
|                                     |   |                   | 1 % of final frequency  | -                        | -    | -    | 2.5  |    |

Table 91. MSI oscillator characteristics<sup>(1)</sup> (continued)

| Symbol                               | Parameter                        | Conditions       |          | Min | Typ | Max  | Unit |    |
|--------------------------------------|----------------------------------|------------------|----------|-----|-----|------|------|----|
| I <sub>DD</sub> (MSI) <sup>(4)</sup> | MSI oscillator power consumption | MSI and PLL mode | Range 0  | -   | -   | 0.6  | 1    | μA |
|                                      |                                  |                  | Range 1  | -   | -   | 0.8  | 1.2  |    |
|                                      |                                  |                  | Range 2  | -   | -   | 1.2  | 1.7  |    |
|                                      |                                  |                  | Range 3  | -   | -   | 1.9  | 2.5  |    |
|                                      |                                  |                  | Range 4  | -   | -   | 4.7  | 6    |    |
|                                      |                                  |                  | Range 5  | -   | -   | 6.5  | 9    |    |
|                                      |                                  |                  | Range 6  | -   | -   | 11   | 15   |    |
|                                      |                                  |                  | Range 7  | -   | -   | 18.5 | 25   |    |
|                                      |                                  |                  | Range 8  | -   | -   | 62   | 80   |    |
|                                      |                                  |                  | Range 9  | -   | -   | 85   | 110  |    |
|                                      |                                  |                  | Range 10 | -   | -   | 110  | 130  |    |
|                                      |                                  |                  | Range 11 | -   | -   | 155  | 190  |    |

1. Guaranteed by characterization results.
2. This is a deviation for an individual part once the initial frequency has been measured.
3. Sampling mode means Low-power run/Low-power sleep modes with Temperature sensor disable.
4. Guaranteed by design.

Figure 38. Typical current consumption versus MSI frequency



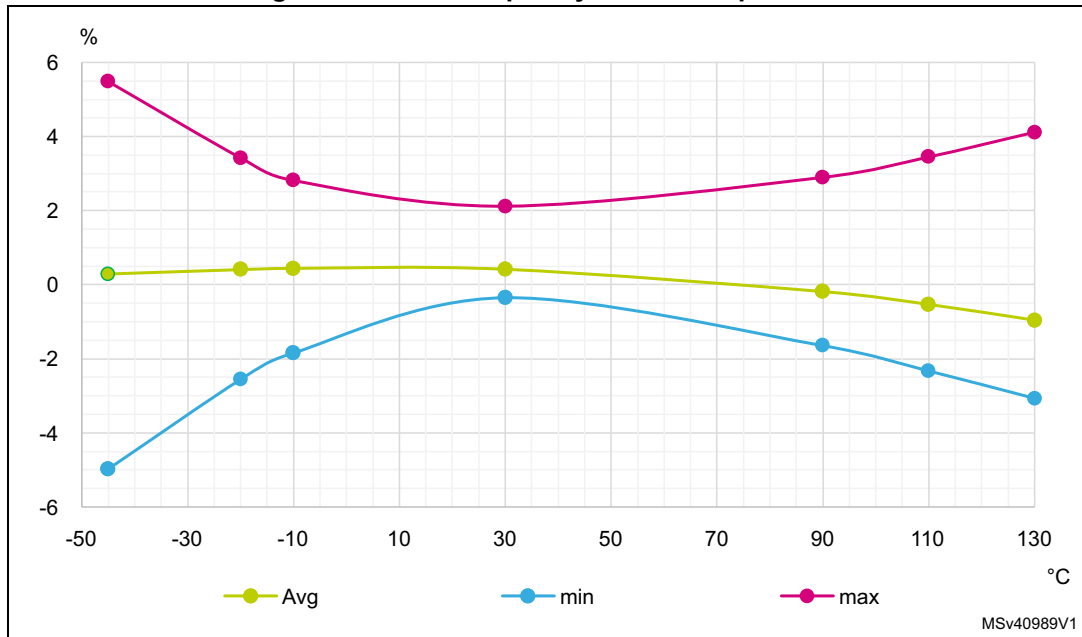
## High-speed internal 48 MHz (HSI48) RC oscillator

Table 92. HSI48 oscillator characteristics<sup>(1)</sup>

| Symbol                   | Parameter  | Conditions  | Min               | Typ                    | Max                 | Unit |
|--------------------------|--|---|-------------------|------------------------|---------------------|------|
| f <sub>HSI48</sub>       | HSI48 Frequency  | V <sub>DD</sub> =3.0V, T <sub>A</sub> =30°C                       | -                 | 48                     | -                   | MHz  |
| TRIM                     | HSI48 user trimming step   | -   | -                 | 0.11 <sup>(2)</sup>    | 0.18 <sup>(2)</sup> | %    |
| USER TRIM COVERAGE       | HSI48 user trimming coverage   | ±32 steps   | ±3 <sup>(3)</sup> | ±3.5 <sup>(3)</sup>    | -                   | %    |
| DuCy(HSI48)              | Duty Cycle   | -   | 45 <sup>(2)</sup> | -                      | 55 <sup>(2)</sup>   | %    |
| ACC <sub>HSI48_REL</sub> | Accuracy of the HSI48 oscillator over temperature (factory calibrated)     | V <sub>DD</sub> = 3.0 V to 3.6 V, T <sub>A</sub> = -15 to 85 °C   | -                 | -                      | ±3 <sup>(3)</sup>   | %    |
|                          |  | V <sub>DD</sub> = 1.65 V to 3.6 V, T <sub>A</sub> = -40 to 125 °C | -                 | -                      | ±4.5 <sup>(3)</sup> |      |
| D <sub>VDD</sub> (HSI48) | HSI48 oscillator frequency drift with V <sub>DD</sub>                      | V <sub>DD</sub> = 3 V to 3.6 V                                    | -                 | 0.025 <sup>(3)</sup>   | 0.05 <sup>(3)</sup> | %    |
|                          |  | V <sub>DD</sub> = 1.65 V to 3.6 V                                 | -                 | 0.05 <sup>(3)</sup>    | 0.1 <sup>(3)</sup>  |      |
| t <sub>su</sub> (HSI48)  | HSI48 oscillator start-up time   | -   | -                 | 2.5 <sup>(2)</sup>     | 6 <sup>(2)</sup>    | µs   |
| I <sub>DD</sub> (HSI48)  | HSI48 oscillator power consumption   | -   | -                 | 340 <sup>(2)</sup>     | 380 <sup>(2)</sup>  | µA   |
| N <sub>T</sub> jitter    | Next transition jitter<br>Accumulated jitter on 28 cycles <sup>(4)</sup>   | -   | -                 | +/-0.15 <sup>(2)</sup> | -                   | ns   |
| P <sub>T</sub> jitter    | Paired transition jitter<br>Accumulated jitter on 56 cycles <sup>(4)</sup> | -   | -                 | +/-0.25 <sup>(2)</sup> | -                   | ns   |

1. V<sub>DD</sub> = 3 V, T<sub>A</sub> = -40 to 125°C unless otherwise specified.
2. Guaranteed by design.
3. Guaranteed by characterization results.
4. Jitter measurement are performed without clock source activated in parallel.

Figure 39. HSI48 frequency versus temperature



Low-speed internal (LSI) RC oscillator

Table 93. LSI oscillator characteristics<sup>(1)</sup>

| Symbol                | Parameter                         | Conditions  | Min   | Typ | Max   | Unit          |
|-----------------------|-----------------------------------|---|-------|-----|-------|---------------|
| $f_{LSI}$             | LSI Frequency                     | $V_{DD} = 3.0\text{ V}$ ,<br>$T_A = 30\text{ °C}$                               | 31.04 | -   | 32.96 | kHz           |
|                       |                                   | $V_{DD} = 1.62\text{ to }3.6\text{ V}$ ,<br>$T_A = -40\text{ to }125\text{ °C}$ | 29.5  | -   | 34    |               |
| $t_{SU(LSI)}^{(2)}$   | LSI oscillator start-up time      | -   | -     | 80  | 130   | $\mu\text{s}$ |
| $t_{STAB(LSI)}^{(2)}$ | LSI oscillator stabilization time | 5% of final frequency   | -     | 125 | 180   | $\mu\text{s}$ |
| $I_{DD(LSI)}^{(2)}$   | LSI oscillator power consumption  | -   | -     | 110 | 180   | nA            |

1. Guaranteed by characterization results.
2. Guaranteed by design.

5.3.10 PLL characteristics

The parameters given in [Table 94](#) are derived from tests performed under temperature and  $V_{DD}$  supply voltage conditions summarized in [Table 27: General operating conditions](#).

**Table 94. PLL, PLLSAI1, PLLSAI2 characteristics<sup>(1)</sup>**

| Symbol            | Parameter  | Conditions              | Min    | Typ | Max | Unit     |
|-------------------|--|-------------------------|--------|-----|-----|----------|
| $f_{PLL\_IN}$     | PLL input clock <sup>(2)</sup>                   | -                       | 2.66   | -   | 16  | MHz      |
|                   | PLL input clock duty cycle                       | -                       | 45     | -   | 55  | %        |
| $f_{PLL\_P\_OUT}$ | PLL multiplier output clock P                    | Voltage scaling Range 1 | 2.0645 | -   | 80  | MHz      |
|                   |  | Voltage scaling Range 0 | 2.0645 | -   | 110 |          |
|                   |  | Voltage scaling Range 2 | 2.0645 | -   | 26  |          |
| $f_{PLL\_Q\_OUT}$ | PLL multiplier output clock Q                    | Voltage scaling Range 1 | 8      | -   | 80  |          |
|                   |  | Voltage scaling Range 0 | 8      | -   | 110 |          |
|                   |  | Voltage scaling Range 2 | 8      | -   | 26  |          |
| $f_{PLL\_R\_OUT}$ | PLL multiplier output clock R                    | Voltage scaling Range 1 | 8      | -   | 80  |          |
|                   |  | Voltage scaling Range 0 | 8      | -   | 110 |          |
|                   |  | Voltage scaling Range 2 | 8      | -   | 26  |          |
| $f_{VCO\_OUT}$    | PLL VCO output                                   | Voltage scaling Range 1 | 64     | -   | 344 |          |
|                   |  | Voltage scaling Range 2 | 64     | -   | 128 |          |
| $t_{LOCK}$        | PLL lock time                                    | -                       | -      | 15  | 40  | $\mu$ s  |
| Jitter            | RMS cycle-to-cycle jitter                        | System clock 80 MHz     | -      | 40  | -   | $\pm$ ps |
|                   | RMS period jitter                                |                         | -      | 30  | -   |          |
| $I_{DD}(PLL)$     | PLL power consumption on $V_{DD}$ <sup>(1)</sup> | VCO freq = 64 MHz       | -      | 150 | 200 | $\mu$ A  |
|                   |  | VCO freq = 96 MHz       | -      | 200 | 260 |          |
|                   |  | VCO freq = 192 MHz      | -      | 300 | 380 |          |
|                   |  | VCO freq = 344 MHz      | -      | 520 | 650 |          |

1. Guaranteed by design.
2. Take care of using the appropriate division factor M to obtain the specified PLL input clock values. The M factor is shared between the 3 PLLs.

5.3.11 Flash memory characteristics

Table 95. Flash memory characteristics<sup>(1)</sup>

| Symbol           | Parameter                                 | Conditions         | Typ   | Max   | Unit    |
|------------------|---|--------------------|-------|-------|---------|
| $t_{prog}$       | 64-bit programming time                   | -                  | 81.69 | 83.35 | $\mu s$ |
| $t_{prog\_row}$  | One row (64 double word) programming time | Normal programming | 2.61  | 2.67  | ms      |
|                  |   | Fast programming   | NA    | NA    |         |
| $t_{prog\_page}$ | One page (4 Kbytes) programming time      | Normal programming | 20.91 | 21.34 |         |
|                  |   | Fast programming   | NA    | NA    |         |
| $t_{ERASE}$      | Page (4 Kbytes) erase time                | -                  | 22.02 | 24.47 |         |
| $t_{prog\_bank}$ | One bank (1 Mbyte) programming time       | Normal programming | 2.68  | 2.73  |         |
|                  |   | Fast programming   | NA    | NA    |         |
| $t_{ME}$         | Mass erase time (one or two banks)        | -                  | 22.13 | 24.59 | ms      |
| $I_{DD}$         | Average consumption from $V_{DD}$         | Write mode         | 3.1   | NA    | mA      |
|                  |   | Erase mode         | 3.1   | NA    |         |
|                  | Maximum current (peak)                    | Write mode         | NA    | NA    |         |
|                  |   | Erase mode         | NA    | NA    |         |

1. Guaranteed by design.

Table 96. Flash memory endurance and data retention

| Symbol    | Parameter      | Conditions                                  | Min <sup>(1)</sup> | Unit    |
|-----------|----------------|---|--------------------|---------|
| $N_{END}$ | Endurance      | $T_A = -40$ to $+105$ °C                    | 10                 | kcycles |
| $t_{RET}$ | Data retention | 1 kcycle <sup>(2)</sup> at $T_A = 85$ °C    | 30                 | Years   |
|           |                | 1 kcycle <sup>(2)</sup> at $T_A = 105$ °C   | 15                 |         |
|           |                | 1 kcycle <sup>(2)</sup> at $T_A = 125$ °C   | 7                  |         |
|           |                | 10 kcycles <sup>(2)</sup> at $T_A = 55$ °C  | 30                 |         |
|           |                | 10 kcycles <sup>(2)</sup> at $T_A = 85$ °C  | 15                 |         |
|           |                | 10 kcycles <sup>(2)</sup> at $T_A = 105$ °C | 10                 |         |

1. Guaranteed by characterization results.

2. Cycling performed over the whole temperature range.

### 5.3.12 EMC characteristics

Susceptibility tests are performed on a sample basis during device characterization.

#### Functional EMS (electromagnetic susceptibility)

While a simple application is executed on the device (toggling 2 LEDs through I/O ports), the device is stressed by two electromagnetic events until a failure occurs. The failure is indicated by the LEDs:

- **Electrostatic discharge (ESD)** (positive and negative) is applied to all device pins until a functional disturbance occurs. This test is compliant with the IEC 61000-4-2 standard.
- **FTB**: A Burst of Fast Transient voltage (positive and negative) is applied to  $V_{DD}$  and  $V_{SS}$  through a 100 pF capacitor, until a functional disturbance occurs. This test is compliant with the IEC 61000-4-4 standard.

A device reset allows normal operations to be resumed.

The test results are given in [Table 97](#). They are based on the EMS levels and classes defined in application note AN1709.

**Table 97. EMS characteristics**

| Symbol     | Parameter   | Conditions  | Level/Class |
|------------|---|---|-------------|
| $V_{FESD}$ | Voltage limits to be applied on any I/O pin to induce a functional disturbance  | $V_{DD} = 3.3\text{ V}$ , $T_A = +25\text{ °C}$ ,<br>$f_{HCLK} = 110\text{ MHz}$ ,<br>conforming to IEC 61000-4-2 | 3B          |
| $V_{EFTB}$ | Fast transient voltage burst limits to be applied through 100 pF on $V_{DD}$ and $V_{SS}$ pins to induce a functional disturbance | $V_{DD} = 3.3\text{ V}$ , $T_A = +25\text{ °C}$ ,<br>$f_{HCLK} = 110\text{ MHz}$ ,<br>conforming to IEC 61000-4-4 | 5A          |

#### Designing hardened software to avoid noise problems

EMC characterization and optimization are performed at component level with a typical application environment and simplified MCU software. It should be noted that good EMC performance is highly dependent on the user application and the software in particular.

Therefore it is recommended that the user applies EMC software optimization and prequalification tests in relation with the EMC level requested for his application.

#### Software recommendations

The software flowchart must include the management of runaway conditions such as:

- Corrupted program counter
- Unexpected reset
- Critical Data corruption (control registers...)



**Prequalification trials**

Most of the common failures (unexpected reset and program counter corruption) can be reproduced by manually forcing a low state on the NRST pin or the Oscillator pins for 1 second.

To complete these trials, ESD stress can be applied directly on the device, over the range of specification values. When unexpected behavior is detected, the software can be hardened to prevent unrecoverable errors occurring (see application note AN1015).

**Electromagnetic Interference (EMI)**

The electromagnetic field emitted by the device are monitored while a simple application is executed (toggling 2 LEDs through the I/O ports). This emission test is compliant with IEC 61967-2 standard which specifies the test board and the pin loading.

**Table 98. EMI characteristics**

| Symbol           | Parameter  | Conditions  | Monitored frequency band | Max vs [f <sub>HSE</sub> /f <sub>HCLK</sub> ] | Unit |
|------------------|------------|---|--------------------------|---|------|
|                  |            |   |                          | 8 MHz / 110 MHz                               |      |
| S <sub>EMI</sub> | Peak level | V <sub>DD</sub> = 3.6 V,<br>T <sub>A</sub> = 25°C,<br>LQFP144 package<br>compliant with IEC 61967-2 | 0.1 MHz to 30 MHz        | 4   | dBμV |
|                  |            |   | 30 MHz to 130 MHz        | 0   |      |
|                  |            |   | 130 MHz to 1 GHz         | 16  |      |
|                  |            |   | 1 GHz to 2 GHz           | 11  |      |
|                  |            |   | EMI Level                | 3.5   | -    |

**5.3.13 Electrical sensitivity characteristics**

Based on three different tests (ESD, LU) using specific measurement methods, the device is stressed in order to determine its performance in terms of electrical sensitivity.

**Electrostatic discharge (ESD)**

Electrostatic discharges (a positive then a negative pulse separated by 1 second) are applied to the pins of each sample according to each pin combination. The sample size depends on the number of supply pins in the device (3 parts × (n+1) supply pins). This test conforms to the ANSI/JEDEC standard.

**Table 99. ESD absolute maximum ratings**

| Symbol                | Ratings   | Conditions  | Class                     | Maximum value <sup>(1)</sup> | Unit |     |
|-----------------------|---|---|---------------------------|------------------------------|------|-----|
| V <sub>ESD(HBM)</sub> | Electrostatic discharge voltage (human body model)    | T <sub>A</sub> = +25 °C, conforming to ANSI/ESDA/JEDEC JS-001 | 2                         | 2000                         | V    |     |
| V <sub>ESD(CDM)</sub> | Electrostatic discharge voltage (charge device model) | T <sub>A</sub> = +25 °C, conforming to ANSI/ESDA/JEDEC JS-002 | LQFP144, LQFP100, WLCSP81 | C1                           |      | 250 |
|                       |   |   | Other packages            | C2a                          |      | 500 |

1. Guaranteed by characterization results.

**Static latch-up**

Two complementary static tests are required on three parts to assess the latch-up performance:

- A supply overvoltage is applied to each power supply pin.
- A current injection is applied to each input, output and configurable I/O pin.

These tests are compliant with EIA/JESD 78E IC latch-up standard.

**Table 100. Electrical sensitivities**

| Symbol | Parameter             | Conditions                                     | Class            |
|--------|-----------------------|--|------------------|
| LU     | Static latch-up class | T <sub>A</sub> = +105 °C conforming to JESD78E | Class II level A |

**5.3.14 I/O current injection characteristics**

As a general rule, current injection to the I/O pins, due to external voltage below V<sub>SS</sub> or above V<sub>DDIOx</sub> (for standard, 3.3 V-capable I/O pins) should be avoided during normal product operation. However, in order to give an indication of the robustness of the microcontroller in cases when abnormal injection accidentally happens, susceptibility tests are performed on a sample basis during device characterization.

**Functional susceptibility to I/O current injection**

While a simple application is executed on the device, the device is stressed by injecting current into the I/O pins programmed in floating input mode. While current is injected into the I/O pin, one at a time, the device is checked for functional failures.

The failure is indicated by an out of range parameter: ADC error above a certain limit (higher than 5 LSB TUE), out of conventional limits of induced leakage current on adjacent pins (out of the -5 µA/+0 µA range) or other functional failure (for example reset occurrence or oscillator frequency deviation).

The characterization results are given in [Table 101](#).

Negative induced leakage current is caused by negative injection and positive induced leakage current is caused by positive injection.

**Table 101. I/O current injection susceptibility**

| Symbol                          | Description   | Functional susceptibility |                    | Unit |
|---------------------------------|---|---------------------------|--------------------|------|
|                                 |   | Negative injection        | Positive injection |      |
| I <sub>INJ</sub> <sup>(1)</sup> | Injected current on all pins except TT_a, PB0, PB15, PE9, PG0 | -5                        | NA                 | mA   |
|                                 | Injected current on pins PB0, PB15, PE9, PG0                  | 0                         | NA                 |      |
|                                 | Injected current on TT_a pins                                 | -5                        | 0                  |      |

1. Guaranteed by characterization.



## 5.3.15 I/O port characteristics

### General input/output characteristics

Unless otherwise specified, the parameters given in [Table 102](#) are derived from tests performed under the conditions summarized in [Table 27: General operating conditions](#). All I/Os are designed as CMOS- and TTL-compliant.

**Table 102. I/O static characteristics**

| Sym bol         | Parameter                    | Conditions            | Min   | Typ                                  | Max | Unit                                 |    |
|-----------------|------------------------------|-----------------------|---|--------------------------------------|-----|--------------------------------------|----|
| $V_{IL}^{(1)}$  | I/O input low level voltage  | All IOs except FT_c   | $1.62\text{ V} < V_{DDIOx} < 3.6\text{ V}$  | -                                    | -   | $0.3 \times V_{DDIOx}^{(2)}$         | V  |
|                 |                              |                       | $1.62\text{ V} < V_{DDIOx} < 3.6\text{ V}$  | -                                    | -   | $0.39 \times V_{DDIOx} - 0.06^{(2)}$ |    |
|                 |                              |                       | $1.08\text{ V} < V_{DDIOx} < 1.62\text{ V}$ | -                                    | -   | $0.43 \times V_{DDIOx} - 0.1^{(2)}$  |    |
|                 |                              | FT_c                  | $1.62\text{ V} < V_{DDIOx} < 3.6\text{ V}$  | -                                    | -   | $0.3 \times V_{DDIOx}^{(2)}$         |    |
|                 |                              |                       | $1.62\text{ V} < V_{DDIOx} < 3.6\text{ V}$  | -                                    | -   | $0.25 \times V_{DDIOx}^{(2)}$        |    |
|                 |                              |                       | $1.08\text{ V} < V_{DDIOx} < 1.62\text{ V}$ | -                                    | -   | $0.2 \times V_{DDIOx}^{(2)}$         |    |
| $V_{IH}^{(1)}$  | I/O input high level voltage | All IOs except FT_c   | $1.62\text{ V} < V_{DDIOx} < 3.6\text{ V}$  | $0.7 \times V_{DDIOx}^{(2)}$         | -   | -                                    | V  |
|                 |                              |                       | $1.62\text{ V} < V_{DDIOx} < 3.6\text{ V}$  | $0.49 \times V_{DDIOx} + 0.26^{(2)}$ | -   | -                                    |    |
|                 |                              |                       | $1.08\text{ V} < V_{DDIOx} < 1.62\text{ V}$ | $0.61 \times V_{DDIOx} + 0.05^{(2)}$ | -   | -                                    |    |
|                 |                              | FT_c                  | $1.62\text{ V} < V_{DDIOx} < 3.6\text{ V}$  | $0.7 \times V_{DDIOx}^{(2)}$         | -   | 5                                    |    |
|                 |                              |                       | $1.08\text{ V} < V_{DDIOx} < 1.62\text{ V}$ | $0.7 \times V_{DDIOx}^{(2)}$         | -   | 5                                    |    |
| $V_{hys}^{(2)}$ | Input hysteresis             | TT_xx, FT_xx and NRST | $1.62\text{ V} < V_{DDIOx} < 3.6\text{ V}$  | -                                    | 200 | -                                    | mV |
|                 |                              | FT_sx                 | $1.08\text{ V} < V_{DDIOx} < 1.62\text{ V}$ | -                                    | 150 | -                                    |    |

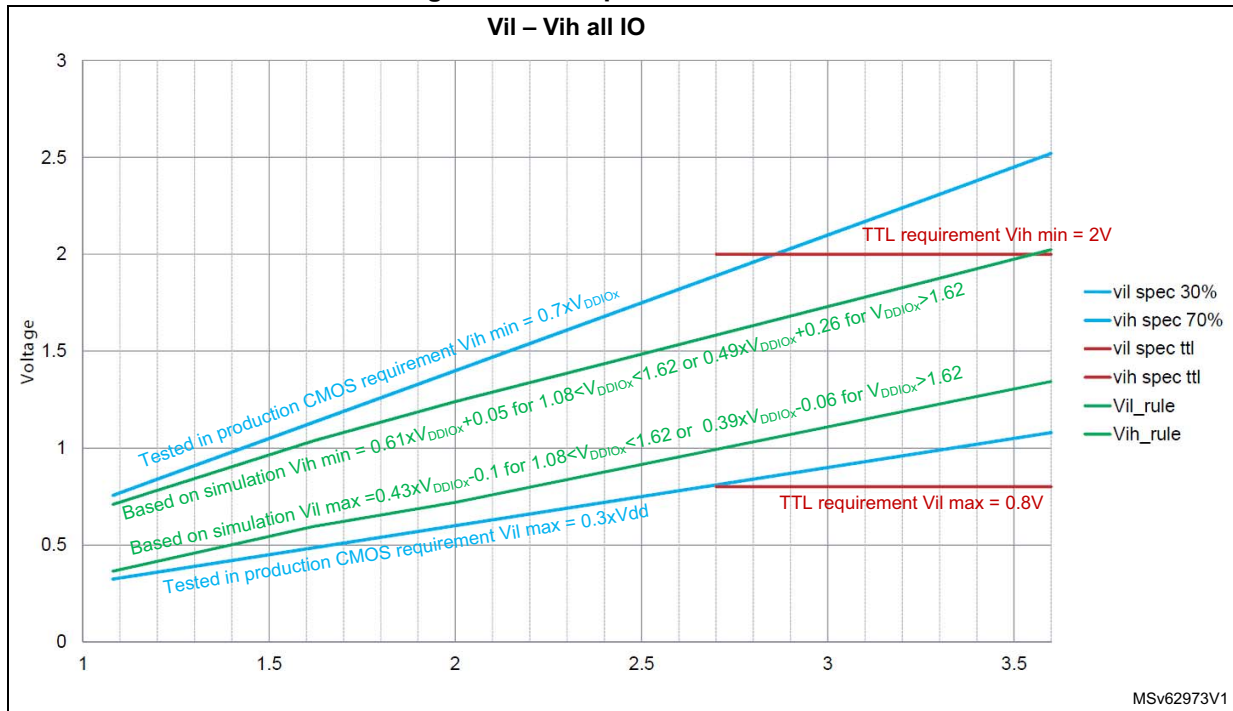
**Table 102. I/O static characteristics (continued)**

| Sym bol   | Parameter                          | Conditions           | Min   | Typ  | Max | Unit                |    |
|---|------------------------------------|----------------------|---|------|-----|---------------------|----|
| $I_{lkg}$   | Input leakage current              | FT_xx <sup>(3)</sup> | $0 < V_{IN} \leq \text{Max}(V_{DDXXX})^{(4)(5)}$                                      | -    | -   | ±100                | nA |
|   |                                    |                      | $\text{Max}(V_{DDXXX}) \leq V_{IN} \leq \text{Max}(V_{DDXXX}) + 1 \text{ V}^{(4)(5)}$ | -    | -   | 650                 |    |
|   |                                    |                      | $\text{Max}(V_{DDXXX}) + 1 \text{ V} < V_{IN} \leq 5.5 \text{ V}^{(4)(5)}$            | -    | -   | 200                 |    |
|   |                                    | FT_u                 | $0 < V_{IN} \leq \text{Max}(V_{DDXXX})^{(4)(5)}$                                      | -    | -   | ±150                |    |
|   |                                    |                      | $\text{Max}(V_{DDXXX}) \leq V_{IN} \leq \text{Max}(V_{DDXXX}) + 1 \text{ V}^{(4)(5)}$ | -    | -   | 2500 <sup>(6)</sup> |    |
|   |                                    |                      | $\text{Max}(V_{DDXXX}) + 1 \text{ V} < V_{IN} \leq 5.5 \text{ V}^{(4)(5)(7)}$         | -    | -   | 250 <sup>(6)</sup>  |    |
|   |                                    | TT_xx                | $V_{IN} \leq \text{Max}(V_{DDXXX})^{(5)}$   | -    | -   | ±150                |    |
|   |                                    |                      | $\text{Max}(V_{DDXXX}) \leq V_{IN} < 3.6 \text{ V}^{(5)}$                             | -    | -   | 2000 <sup>(2)</sup> |    |
|   |                                    | OPAMPx_VINM(x=1,2)   | -   | -    | -   | (8)                 |    |
|   |                                    | FT_c                 | $0 < V_{IN} \leq \text{Max}(V_{DDXXX})^{(3)}$   | -    | -   | 2000                |    |
|   |                                    |                      | $\text{Max}(V_{DDXXX}) < V_{IN} \leq 5 \text{ V}^{(3)(5)(6)}$                         | -    | -   | 3000                |    |
|   |                                    | FT_d                 | $0 < V_{IN} \leq \text{Max}(V_{DDXXX})^{(5)}$   | -    | -   | 4500                |    |
| $\text{Max}(V_{DDXXX}) < V_{IN} \leq 5.5 \text{ V}^{(3)(4)(5)}$ | -                                  |                      | -   | 9000 |     |                     |    |
| R <sub>PU</sub>   | Weak pull-up equivalent resistor   | $V_{IN} = V_{SS}$    | 25  | 40   | 55  | kΩ                  |    |
| R <sub>PD</sub>   | Weak pull-down equivalent resistor | $V_{IN} = V_{DDIOx}$ | 25  | 40   | 55  | kΩ                  |    |
| C <sub>IO</sub>   | I/O pin capacitance                | -                    | -   | 5    | -   | pF                  |    |

1. Refer to [Figure 40: I/O input characteristics](#).
2. Guaranteed by design.
3. All FT\_xx IO except FT\_u and FT\_c.
4. This value represents the pad leakage of the IO itself. The total product pad leakage is provided by this formula:  $I_{\text{Total\_leak\_max}} = 10 \mu\text{A} + [\text{number of IOs where } V_{IN} \text{ is applied on the pad}] \times I_{lkg}(\text{Max})$ .
5. Max(V<sub>DDXXX</sub>) is the maximum value of all the I/O supplies. Refer to [Table: Legend/Abbreviations used in the pinout table](#).
6. To sustain a voltage higher than MIN(V<sub>DD</sub>, V<sub>DDA</sub>, V<sub>DDIO2</sub> and V<sub>DDUSB</sub>) +0.3 V, the internal Pull-up and Pull-Down resistors must be disabled.
7. Pull-up and pull-down resistors are designed with a true resistance in series with a switchable PMOS/NMOS. This PMOS/NMOS contribution to the series resistance is minimal (~10% order).
8. Refer to I<sub>bias</sub> in [Table 119: OPAMP characteristics](#) for the values of the OPAMP dedicated input leakage current.

All I/Os are CMOS- and TTL-compliant (no software configuration required). Their characteristics cover more than the strict CMOS-technology or TTL parameters. The coverage of these requirements is shown in [Figure 40](#) for standard I/Os, and in [Figure 40](#) for 5 V tolerant I/Os.

**Figure 40. I/O input characteristics**



### Output driving current

The GPIOs (general purpose input/outputs) can sink or source up to  $\pm 8$  mA, and sink or source up to  $\pm 20$  mA (with a relaxed  $V_{OL}/V_{OH}$ ).

In the user application, the number of I/O pins which can drive current must be limited to respect the absolute maximum rating specified in [Section 5.2](#):

- The sum of the currents sourced by all the I/Os on  $V_{DDIOX}$ , plus the maximum consumption of the MCU sourced on  $V_{DD}$ , cannot exceed the absolute maximum rating  $\Sigma I_{VDD}$  (see [Table 24: Voltage characteristics](#)).
- The sum of the currents sunk by all the I/Os on  $V_{SS}$ , plus the maximum consumption of the MCU sunk on  $V_{SS}$ , cannot exceed the absolute maximum rating  $\Sigma I_{VSS}$  (see [Table 24: Voltage characteristics](#)).

### Output voltage levels

Unless otherwise specified, the parameters given in the table below are derived from tests performed under the ambient temperature and supply voltage conditions summarized in [Table 27: General operating conditions](#). All I/Os are CMOS- and TTL-compliant (FT OR TT unless otherwise specified).

**Table 103. Output voltage characteristics<sup>(1)</sup>**

| Symbol            | Parameter   | Conditions   | Min                     | Max                     | Unit |
|-------------------|---|--|-------------------------|-------------------------|------|
| $V_{OL}$          | Output low level voltage for an I/O pin   | CMOS port <sup>(2)</sup><br>$ I_{IO}  = 2 \text{ mA}$ for FT_c                   | -                       | 0.4                     | V    |
| $V_{OH}$          | Output high level voltage for an I/O pin  | $ I_{IO}  = 8 \text{ mA}$ for other I/Os<br>$V_{DDIOx} \geq 2.7 \text{ V}$       | $V_{DDIOx}-0.4$         | -                       |      |
| $V_{OL}^{(3)}$    | Output low level voltage for an I/O pin   | TTL port <sup>(2)</sup><br>$ I_{IO}  = 2 \text{ mA}$ for FT_c                    | -                       | 0.4                     |      |
| $V_{OH}^{(3)}$    | Output high level voltage for an I/O pin  | $ I_{IO}  = 8 \text{ mA}$ for other I/Os<br>$V_{DDIOx} \geq 2.7 \text{ V}$       | 2.4                     | -                       |      |
| $V_{OL}^{(3)}$    | Output low level voltage for an I/O pin   | All I/Os except FT_c<br>$ I_{IO}  = 20 \text{ mA}$                               | -                       | 1.3                     |      |
| $V_{OH}^{(3)}$    | Output high level voltage for an I/O pin  | $V_{DDIOx} \geq 2.7 \text{ V}$   | $V_{DDIOx}-1.3$         | -                       |      |
| $V_{OL}^{(3)}$    | Output low level voltage for an I/O pin   | $ I_{IO}  = 1 \text{ mA}$ for FT_c<br>$ I_{IO}  = 4 \text{ mA}$ for other I/Os   | -                       | 0.4                     |      |
| $V_{OH}^{(3)}$    | Output high level voltage for an I/O pin  | $1.62 \text{ V} \leq V_{DDIOx} \leq 3.6 \text{ V}$                               | $V_{DDIOx}-0.45$        | -                       |      |
| $V_{OL}^{(3)}$    | Output low level voltage for an I/O pin   | $ I_{IO}  = 1 \text{ mA}$ for FT_c<br>$ I_{IO}  = 2 \text{ mA}$ for other I/Os   | -                       | $0.35 \times V_{DDIOx}$ |      |
| $V_{OH}^{(3)}$    | Output high level voltage for an I/O pin  | $1.08 \text{ V} \leq V_{DDIOx} < 1.62 \text{ V}$                                 | $0.65 \times V_{DDIOx}$ | -                       |      |
| $V_{OLFM+}^{(3)}$ | Output low level voltage for an FT I/O pin in FM+ mode (FT I/O with "f" option) | $ I_{IO}  = 20 \text{ mA}$<br>$V_{DDIOx} \geq 2.7 \text{ V}$                     | -                       | 0.4                     |      |
|                   |   | $ I_{IO}  = 10 \text{ mA}$<br>$1.62 \text{ V} \leq V_{DDIOx} \leq 3.6 \text{ V}$ | -                       | 0.4                     |      |
|                   |   | $ I_{IO}  = 2 \text{ mA}$<br>$1.08 \text{ V} \leq V_{DDIOx} < 1.62 \text{ V}$    | -                       | 0.4                     |      |

1. The  $I_{IO}$  current sourced or sunk by the device must always respect the absolute maximum rating specified in [Table 24: Voltage characteristics](#), and the sum of the currents sourced or sunk by all the I/Os (I/O ports and control pins) must always respect the absolute maximum ratings  $\Sigma I_{IO}$ .
2. TTL and CMOS outputs are compatible with JEDEC standards JESD36 and JESD52.
3. Guaranteed by design.

### Input/output AC characteristics

The definition and values of input/output AC characteristics are given in [Figure 41](#) and [Table 104](#), respectively.

Unless otherwise specified, the parameters given are derived from tests performed under the ambient temperature and supply voltage conditions summarized in [Table 27: General operating conditions](#).

Table 104. I/O AC characteristics (All I/Os except FT\_c)<sup>(1)(2)</sup>

| Speed | Symbol | Parameter                 | Conditions                                    | Min | Max | Unit |
|-------|--------|---------------------------|---|-----|-----|------|
| 00    | Fmax   | Maximum frequency         | C=50 pF, 2.7 V ≤ V <sub>DDIOx</sub> ≤ 3.6 V   | -   | 5   | MHz  |
|       |        |                           | C=50 pF, 1.62 V ≤ V <sub>DDIOx</sub> ≤ 2.7 V  | -   | 1   |      |
|       |        |                           | C=50 pF, 1.08 V ≤ V <sub>DDIOx</sub> ≤ 1.62 V | -   | 0.1 |      |
|       |        |                           | C=10 pF, 2.7 V ≤ V <sub>DDIOx</sub> ≤ 3.6 V   | -   | 10  |      |
|       |        |                           | C=10 pF, 1.62 V ≤ V <sub>DDIOx</sub> ≤ 2.7 V  | -   | 1.5 |      |
|       |        |                           | C=10 pF, 1.08 V ≤ V <sub>DDIOx</sub> ≤ 1.62 V | -   | 0.1 |      |
|       | Tr/Tf  | Output rise and fall time | C=50 pF, 2.7 V ≤ V <sub>DDIOx</sub> ≤ 3.6 V   | -   | 25  | ns   |
|       |        |                           | C=50 pF, 1.62 V ≤ V <sub>DDIOx</sub> ≤ 2.7 V  | -   | 52  |      |
|       |        |                           | C=50 pF, 1.08 V ≤ V <sub>DDIOx</sub> ≤ 1.62 V | -   | 140 |      |
|       |        |                           | C=10 pF, 2.7 V ≤ V <sub>DDIOx</sub> ≤ 3.6 V   | -   | 17  |      |
|       |        |                           | C=10 pF, 1.62 V ≤ V <sub>DDIOx</sub> ≤ 2.7 V  | -   | 37  |      |
|       |        |                           | C=10 pF, 1.08 V ≤ V <sub>DDIOx</sub> ≤ 1.62 V | -   | 110 |      |
| 01    | Fmax   | Maximum frequency         | C=50 pF, 2.7 V ≤ V <sub>DDIOx</sub> ≤ 3.6 V   | -   | 25  | MHz  |
|       |        |                           | C=50 pF, 1.62 V ≤ V <sub>DDIOx</sub> ≤ 2.7 V  | -   | 10  |      |
|       |        |                           | C=50 pF, 1.08 V ≤ V <sub>DDIOx</sub> ≤ 1.62 V | -   | 1   |      |
|       |        |                           | C=10 pF, 2.7 V ≤ V <sub>DDIOx</sub> ≤ 3.6 V   | -   | 50  |      |
|       |        |                           | C=10 pF, 1.62 V ≤ V <sub>DDIOx</sub> ≤ 2.7 V  | -   | 15  |      |
|       |        |                           | C=10 pF, 1.08 V ≤ V <sub>DDIOx</sub> ≤ 1.62 V | -   | 1   |      |
|       | Tr/Tf  | Output rise and fall time | C=50 pF, 2.7 V ≤ V <sub>DDIOx</sub> ≤ 3.6 V   | -   | 9   | ns   |
|       |        |                           | C=50 pF, 1.62 V ≤ V <sub>DDIOx</sub> ≤ 2.7 V  | -   | 16  |      |
|       |        |                           | C=50 pF, 1.08 V ≤ V <sub>DDIOx</sub> ≤ 1.62 V | -   | 40  |      |
|       |        |                           | C=10 pF, 2.7 V ≤ V <sub>DDIOx</sub> ≤ 3.6 V   | -   | 4.5 |      |
|       |        |                           | C=10 pF, 1.62 V ≤ V <sub>DDIOx</sub> ≤ 2.7 V  | -   | 9   |      |
|       |        |                           | C=10 pF, 1.08 V ≤ V <sub>DDIOx</sub> ≤ 1.62 V | -   | 21  |      |

**Table 104. I/O AC characteristics (All I/Os except FT\_c)<sup>(1)(2)</sup> (continued)**

| Speed | Symbol | Parameter                       | Conditions                                    | Min | Max                | Unit |
|-------|--------|---------------------------------|---|-----|--------------------|------|
| 10    | Fmax   | Maximum frequency               | C=50 pF, 2.7 V ≤ V <sub>DDIOx</sub> ≤ 3.6 V   | -   | 50                 | MHz  |
|       |        |                                 | C=50 pF, 1.62 V ≤ V <sub>DDIOx</sub> ≤ 2.7 V  | -   | 25                 |      |
|       |        |                                 | C=50 pF, 1.08 V ≤ V <sub>DDIOx</sub> ≤ 1.62 V | -   | 5                  |      |
|       |        |                                 | C=10 pF, 2.7 V ≤ V <sub>DDIOx</sub> ≤ 3.6 V   | -   | 100                |      |
|       |        |                                 | C=10 pF, 1.62 V ≤ V <sub>DDIOx</sub> ≤ 2.7 V  | -   | 37.5               |      |
|       |        |                                 | C=10 pF, 1.08 V ≤ V <sub>DDIOx</sub> ≤ 1.62 V | -   | 5                  |      |
|       | Tr/Tf  | Output rise and fall time       | C=50 pF, 2.7 V ≤ V <sub>DDIOx</sub> ≤ 3.6 V   | -   | 5.8                | ns   |
|       |        |                                 | C=50 pF, 1.62 V ≤ V <sub>DDIOx</sub> ≤ 2.7 V  | -   | 11                 |      |
|       |        |                                 | C=50 pF, 1.08 V ≤ V <sub>DDIOx</sub> ≤ 1.62 V | -   | 28                 |      |
|       |        |                                 | C=10 pF, 2.7 V ≤ V <sub>DDIOx</sub> ≤ 3.6 V   | -   | 2.5                |      |
|       |        |                                 | C=10 pF, 1.62 V ≤ V <sub>DDIOx</sub> ≤ 2.7 V  | -   | 5                  |      |
|       |        |                                 | C=10 pF, 1.08 V ≤ V <sub>DDIOx</sub> ≤ 1.62 V | -   | 12                 |      |
| 11    | Fmax   | Maximum frequency               | C=30 pF, 2.7 V ≤ V <sub>DDIOx</sub> ≤ 3.6 V   | -   | 110                | MHz  |
|       |        |                                 | C=30 pF, 1.62 V ≤ V <sub>DDIOx</sub> ≤ 2.7 V  | -   | 50                 |      |
|       |        |                                 | C=30 pF, 1.08 V ≤ V <sub>DDIOx</sub> ≤ 1.62 V | -   | 10                 |      |
|       |        |                                 | C=10 pF, 2.7 V ≤ V <sub>DDIOx</sub> ≤ 3.6 V   | -   | 180 <sup>(3)</sup> |      |
|       |        |                                 | C=10 pF, 1.62 V ≤ V <sub>DDIOx</sub> ≤ 2.7 V  | -   | 75                 |      |
|       |        |                                 | C=10 pF, 1.08 V ≤ V <sub>DDIOx</sub> ≤ 1.62 V | -   | 10                 |      |
|       | Tr/Tf  | Output rise and fall time       | C=30 pF, 2.7 V ≤ V <sub>DDIOx</sub> ≤ 3.6 V   | -   | 3.3                | ns   |
|       |        |                                 | C=30 pF, 1.62 V ≤ V <sub>DDIOx</sub> ≤ 2.7 V  | -   | 6                  |      |
|       |        |                                 | C=30 pF, 1.08 V ≤ V <sub>DDIOx</sub> ≤ 1.62 V | -   | 16                 |      |
| Fm+   | Fmax   | Maximum frequency               | C=50 pF, 1.6 V ≤ V <sub>DDIOx</sub> ≤ 3.6 V   | -   | 1                  | MHz  |
|       | Tf     | Output fall time <sup>(4)</sup> |   | -   | 5                  | ns   |

1. The I/O speed is configured using the OSPEEDRy[1:0] bits. The Fm+ mode is configured in the SYSCFG\_CFGR1 register. Refer to the RM0438 reference manual for a description of GPIO Port configuration register.
2. Guaranteed by design.
3. This value represents the I/O capability but the maximum system frequency is limited to 110 MHz.
4. The fall time is defined between 70% and 30% of the output waveform accordingly to I<sup>2</sup>C specification.

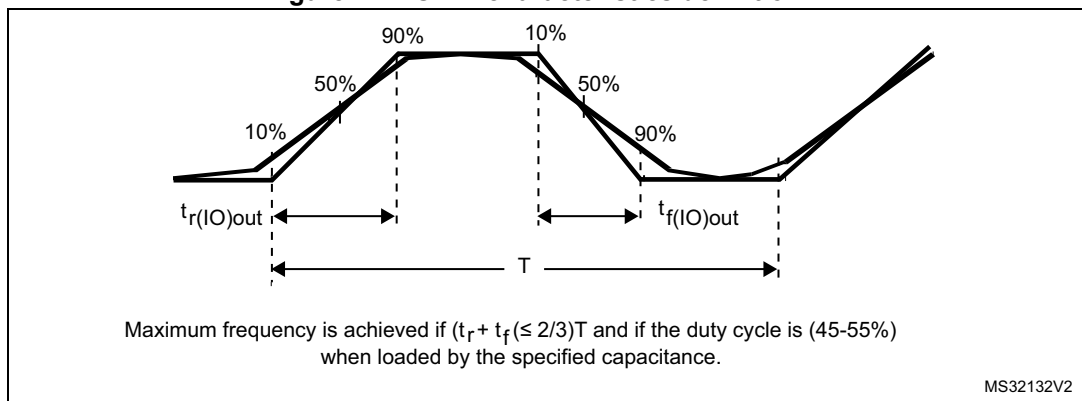


Table 105. FT\_c I/O AC characteristics<sup>(1)(2)</sup>

| Speed | Symbol | Parameter                 | Conditions                                   | Min | Max  | Unit |
|-------|--------|---------------------------|--|-----|------|------|
| 0     | Fmax   | Maximum frequency         | C=50 pF, 2.7 V ≤ V <sub>DDIOx</sub> ≤ 3.6 V  | -   | 2    | MHz  |
|       |        |                           | C=50 pF, 1.6 V ≤ V <sub>DDIOx</sub> ≤ 2.7 V  | -   | 1    |      |
|       |        |                           | C=50 pF, 1.08 V ≤ V <sub>DDIOx</sub> ≤ 3.6 V | -   | 0.1  |      |
|       | Tr/Tf  | Output rise and fall time | C=50 pF, 2.7 V ≤ V <sub>DDIOx</sub> ≤ 3.6 V  | -   | 170  | ns   |
|       |        |                           | C=50 pF, 1.6 V ≤ V <sub>DDIOx</sub> ≤ 2.7 V  | -   | 330  |      |
|       |        |                           | C=50 pF, 1.08 V ≤ V <sub>DDIOx</sub> ≤ 3.6 V | -   | 3300 |      |
| 1     | Fmax   | Maximum frequency         | C=50 pF, 2.7 V ≤ V <sub>DDIOx</sub> ≤ 3.6 V  | -   | 10   | MHz  |
|       |        |                           | C=50 pF, 1.6 V ≤ V <sub>DDIOx</sub> ≤ 2.7 V  | -   | 5    |      |
|       |        |                           | C=50 pF, 1.08 V ≤ V <sub>DDIOx</sub> ≤ 3.6 V | -   | 0.7  |      |
|       | Tr/Tf  | Output rise and fall time | C=50 pF, 2.7 V ≤ V <sub>DDIOx</sub> ≤ 3.6 V  | -   | 35   | ns   |
|       |        |                           | C=50 pF, 1.6 V ≤ V <sub>DDIOx</sub> ≤ 2.7 V  | -   | 65   |      |
|       |        |                           | C=50 pF, 1.08 V ≤ V <sub>DDIOx</sub> ≤ 3.6 V | -   | 400  |      |

1. The I/O speed is configured using the OSPEEDRy[0] bit. Refer to the RM0438 reference manual for a description of GPIO Port configuration register.
2. Guaranteed by design.

Figure 41. I/O AC characteristics definition<sup>(1)</sup>



1. Refer to [Table 104: I/O AC characteristics \(All I/Os except FT\\_c\)](#).

### 5.3.16 NRST pin characteristics

The NRST pin input driver uses the CMOS technology. It is connected to a permanent pull-up resistor, R<sub>PJ</sub>.

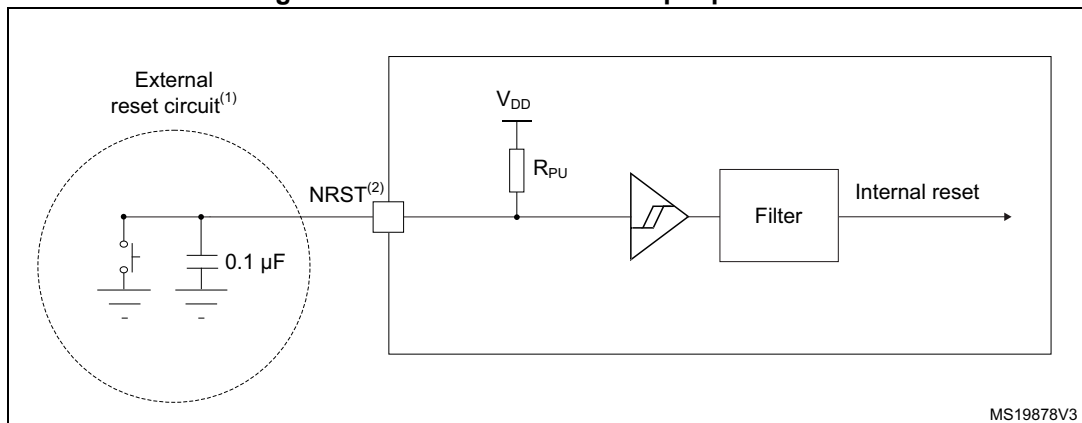
Unless otherwise specified, the parameters given in the table below are derived from tests performed under the ambient temperature and supply voltage conditions summarized in [Table 27: General operating conditions](#).

**Table 106. NRST pin characteristics<sup>(1)</sup>**

| Symbol          | Parameter                                       | Conditions                                      | Min                    | Typ | Max                    | Unit       |
|-----------------|---|---|------------------------|-----|------------------------|------------|
| $V_{IL(NRST)}$  | NRST input low level voltage                    | -   | -                      | -   | $0.3 \times V_{DDIOx}$ | V          |
| $V_{IH(NRST)}$  | NRST input high level voltage                   | -   | $0.7 \times V_{DDIOx}$ | -   | -                      |            |
| $V_{hys(NRST)}$ | NRST Schmitt trigger voltage hysteresis         | -   | -                      | 200 | -                      | mV         |
| $R_{PU}$        | Weak pull-up equivalent resistor <sup>(2)</sup> | $V_{IN} = V_{SS}$                               | 25                     | 40  | 55                     | k $\Omega$ |
| $V_{F(NRST)}$   | NRST input filtered pulse                       | -   | -                      | -   | 70                     | ns         |
| $V_{NF(NRST)}$  | NRST input not filtered pulse                   | $1.71 \text{ V} \leq V_{DD} \leq 3.6 \text{ V}$ | 350                    | -   | -                      | ns         |

1. Guaranteed by design.
2. The pull-up is designed with a true resistance in series with a switchable PMOS. This PMOS contribution to the series resistance is minimal (~10% order).

**Figure 42. Recommended NRST pin protection**



1. The reset network protects the device against parasitic resets.
2. The user must ensure that the level on the NRST pin can go below the  $V_{IL(NRST)}$  max level specified in [Table 106: NRST pin characteristics](#). Otherwise the reset is not taken into account by the device.
3. The external capacitor on NRST must be placed as close as possible to the device.

### 5.3.17 Extended interrupt and event controller input (EXTI) characteristics

The pulse on the interrupt input must have a minimal length in order to guarantee that it is detected by the event controller.

**Table 107. EXTI input characteristics<sup>(1)</sup>**

| Symbol | Parameter                        | Conditions | Min | Typ | Max | Unit |
|--------|----------------------------------|------------|-----|-----|-----|------|
| PLEC   | Pulse length to event controller | -          | 20  | -   | -   | ns   |

1. Guaranteed by design.

## 5.3.18 Analog switches booster

Table 108. Analog switches booster characteristics<sup>(1)</sup>

| Symbol          | Parameter  | Min  | Typ | Max | Unit    |
|-----------------|--|------|-----|-----|---------|
| $V_{DD}$        | Supply voltage   | 1.62 | -   | 3.6 | V       |
| $t_{SU(BOOST)}$ | Booster startup time   | -    | -   | 240 | $\mu s$ |
| $I_{DD(BOOST)}$ | Booster consumption for<br>$1.62\text{ V} \leq V_{DD} \leq 2.0\text{ V}$ | -    | -   | 250 | $\mu A$ |
|                 | Booster consumption for<br>$2.0\text{ V} \leq V_{DD} \leq 2.7\text{ V}$  | -    | -   | 500 |         |
|                 | Booster consumption for<br>$2.7\text{ V} \leq V_{DD} \leq 3.6\text{ V}$  | -    | -   | 900 |         |

1. Guaranteed by design.

### 5.3.19 Analog-to-digital converter characteristics

Unless otherwise specified, the parameters given in [Table 109](#) are preliminary values derived from tests performed under ambient temperature,  $f_{PCLK}$  frequency and  $V_{DDA}$  supply voltage conditions summarized in [Table 27: General operating conditions](#).

*Note:* It is recommended to perform a calibration after each power-up.

**Table 109. ADC characteristics<sup>(1) (2)</sup>**

| Symbol          | Parameter                               | Conditions  | Min       | Typ | Max        | Unit             |
|-----------------|---|---|-----------|-----|------------|------------------|
| $V_{DDA}$       | Analog supply voltage                   | -   | 1.62      | -   | 3.6        | V                |
| $V_{REF+}$      | Positive reference voltage              | $V_{DDA} \geq 2\text{ V}$                         | 2         | -   | $V_{DDA}$  | V                |
|                 |   | $V_{DDA} < 2\text{ V}$                            | $V_{DDA}$ |     |            | V                |
| $V_{REF-}$      | Negative reference voltage              | -   | $V_{SSA}$ |     |            | V                |
| $f_{ADC}$       | ADC clock frequency                     | Range 0 and 1                                     | -         | -   | 80         | MHz              |
|                 |   | Range 2   | -         | -   | 26         |                  |
| $f_s$           | Sampling rate for FAST channels         | Resolution = 12 bits                              | -         | -   | 5.33       | MSPS             |
|                 |   | Resolution = 10 bits                              | -         | -   | 6.15       |                  |
|                 |   | Resolution = 8 bits                               | -         | -   | 7.27       |                  |
|                 |   | Resolution = 6 bits                               | -         | -   | 8.88       |                  |
|                 | Sampling rate for SLOW channels         | Resolution = 12 bits                              | -         | -   | 4.21       |                  |
|                 |   | Resolution = 10 bits                              | -         | -   | 4.71       |                  |
|                 |   | Resolution = 8 bits                               | -         | -   | 5.33       |                  |
|                 |   | Resolution = 6 bits                               | -         | -   | 6.15       |                  |
| $f_{TRIG}$      | External trigger frequency              | $f_{ADC} = 80\text{ MHz}$<br>Resolution = 12 bits | -         | -   | 5.33       | MHz              |
|                 |   | Resolution = 12 bits                              | -         | -   | 15         | $1/f_{ADC}$      |
| $V_{AIN}^{(3)}$ | Conversion voltage range <sup>(2)</sup> | -   | 0         | -   | $V_{REF+}$ | V                |
| $R_{AIN}$       | External input impedance                | -   | -         | -   | 50         | k $\Omega$       |
| $C_{ADC}$       | Internal sample and hold capacitor      | -   | -         | 5   | -          | pF               |
| $t_{STAB}$      | Power-up time                           | -   | 1         |     |            | conversion cycle |
| $t_{CAL}$       | Calibration time                        | $f_{ADC} = 80\text{ MHz}$                         | 1.45      |     |            | $\mu\text{s}$    |
|                 |   | -   | 116       |     |            | $1/f_{ADC}$      |

Table 109. ADC characteristics<sup>(1) (2)</sup> (continued)

| Symbol              | Parameter   | Conditions                                 | Min   | Typ | Max     | Unit        |
|---------------------|---|--|---|-----|---------|-------------|
| $t_{LATR}$          | Trigger conversion latency Regular and injected channels without conversion abort | CKMODE = 00                                | 1.5   | 2   | 2.5     | $1/f_{ADC}$ |
|                     |   | CKMODE = 01                                | -   | -   | 2.0     |             |
|                     |   | CKMODE = 10                                | -   | -   | 2.25    |             |
|                     |   | CKMODE = 11                                | -   | -   | 2.125   |             |
| $t_{LATRINJ}$       | Trigger conversion latency Injected channels aborting a regular conversion        | CKMODE = 00                                | 2.5   | 3   | 3.5     | $1/f_{ADC}$ |
|                     |   | CKMODE = 01                                | -   | -   | 3.0     |             |
|                     |   | CKMODE = 10                                | -   | -   | 3.25    |             |
|                     |   | CKMODE = 11                                | -   | -   | 3.125   |             |
| $t_s$               | Sampling time   | $f_{ADC} = 80$ MHz                         | 0.03125   | -   | 8.00625 | $\mu s$     |
|                     |   | -  | 2.5   | -   | 640.5   | $1/f_{ADC}$ |
| $t_{ADCVREG\_STUP}$ | ADC voltage regulator start-up time   | -  | -   | -   | 20      | $\mu s$     |
| $t_{CONV}$          | Total conversion time (including sampling time)                                   | $f_{ADC} = 80$ MHz<br>Resolution = 12 bits | 0.1875  | -   | 8.1625  | $\mu s$     |
|                     |   | Resolution = 12 bits                       | ts + 12.5 cycles for successive approximation = 15 to 653 |     |         | $1/f_{ADC}$ |
| $I_{DDA(ADC)}$      | ADC consumption from the $V_{DDA}$ supply   | fs = 5 Msps                                | -   | 730 | 830     | $\mu A$     |
|                     |   | fs = 1 Msps                                | -   | 160 | 220     |             |
|                     |   | fs = 10 ksps                               | -   | 16  | 50      |             |
| $I_{DDV\_S(ADC)}$   | ADC consumption from the $V_{REF+}$ single ended mode                             | fs = 5 Msps                                | -   | 130 | 160     | $\mu A$     |
|                     |   | fs = 1 Msps                                | -   | 30  | 40      |             |
|                     |   | fs = 10 ksps                               | -   | 0.6 | 2       |             |
| $I_{DDV\_D(ADC)}$   | ADC consumption from the $V_{REF+}$ differential mode                             | fs = 5 Msps                                | -   | 260 | 310     | $\mu A$     |
|                     |   | fs = 1 Msps                                | -   | 60  | 70      |             |
|                     |   | fs = 10 ksps                               | -   | 1.3 | 3       |             |

1. Guaranteed by design
2. The I/O analog switch voltage booster is enable when  $V_{DDA} < 2.4$  V (BOOSTEN = 1 in the SYSCFG\_CFGR1 when  $V_{DDA} < 2.4$  V). It is disable when  $V_{DDA} \geq 2.4$  V.
3.  $V_{REF+}$  can be internally connected to  $V_{DDA}$  and  $V_{REF-}$  can be internally connected to  $V_{SSA}$ , depending on the package.  
Refer to [Section 4: Pinouts and pin description](#) for further details.

The maximum value of  $R_{AIN}$  can be found in [Table 110: Maximum ADC  \$R\_{AIN}\$](#) .

**Table 110. Maximum ADC  $R_{AIN}^{(1)(2)}$**

| Resolution | Sampling cycle @80 MHz | Sampling time [ns] @80 MHz | $R_{AIN}$ max ( $\Omega$ )   |                              |
|------------|------------------------|----------------------------|------------------------------|------------------------------|
|            |                        |                            | Fast channels <sup>(3)</sup> | Slow channels <sup>(4)</sup> |
| 12 bits    | 2.5                    | 31.25                      | 100                          | N/A                          |
|            | 6.5                    | 81.25                      | 330                          | 100                          |
|            | 12.5                   | 156.25                     | 680                          | 470                          |
|            | 24.5                   | 306.25                     | 1500                         | 1200                         |
|            | 47.5                   | 593.75                     | 2200                         | 1800                         |
|            | 92.5                   | 1156.25                    | 4700                         | 3900                         |
|            | 247.5                  | 3093.75                    | 12000                        | 10000                        |
|            | 640.5                  | 8006.75                    | 39000                        | 33000                        |
| 10 bits    | 2.5                    | 31.25                      | 120                          | N/A                          |
|            | 6.5                    | 81.25                      | 390                          | 180                          |
|            | 12.5                   | 156.25                     | 820                          | 560                          |
|            | 24.5                   | 306.25                     | 1500                         | 1200                         |
|            | 47.5                   | 593.75                     | 2200                         | 1800                         |
|            | 92.5                   | 1156.25                    | 5600                         | 4700                         |
|            | 247.5                  | 3093.75                    | 12000                        | 10000                        |
|            | 640.5                  | 8006.75                    | 47000                        | 39000                        |
| 8 bits     | 2.5                    | 31.25                      | 180                          | N/A                          |
|            | 6.5                    | 81.25                      | 470                          | 270                          |
|            | 12.5                   | 156.25                     | 1000                         | 680                          |
|            | 24.5                   | 306.25                     | 1800                         | 1500                         |
|            | 47.5                   | 593.75                     | 2700                         | 2200                         |
|            | 92.5                   | 1156.25                    | 6800                         | 5600                         |
|            | 247.5                  | 3093.75                    | 15000                        | 12000                        |
|            | 640.5                  | 8006.75                    | 50000                        | 50000                        |
| 6 bits     | 2.5                    | 31.25                      | 220                          | N/A                          |
|            | 6.5                    | 81.25                      | 560                          | 330                          |
|            | 12.5                   | 156.25                     | 1200                         | 1000                         |
|            | 24.5                   | 306.25                     | 2700                         | 2200                         |
|            | 47.5                   | 593.75                     | 3900                         | 3300                         |
|            | 92.5                   | 1156.25                    | 8200                         | 6800                         |
|            | 247.5                  | 3093.75                    | 18000                        | 15000                        |
|            | 640.5                  | 8006.75                    | 50000                        | 50000                        |

1. Guaranteed by design.
2. The I/O analog switch voltage booster is enable when  $V_{DDA} < 2.4\text{ V}$  (BOOSTEN = 1 in the SYSCFG\_CFGR1 when  $V_{DDA} < 2.4\text{ V}$ ). It is disable when  $V_{DDA} \geq 2.4\text{ V}$ .
3. Fast channels are: PC0, PC1, PC2, PC3, PA0.
4. Slow channels are: all ADC inputs except the fast channels.

Table 111. ADC accuracy - limited test conditions 1<sup>(1)</sup>(2)(3)

| Sym-bol | Parameter                            | Conditions <sup>(4)</sup>  |              | Min                      | Typ  | Max  | Unit |      |
|---------|--------------------------------------|--|--------------|--------------------------|------|------|------|------|
| ET      | Total unadjusted error               |  | Single ended | Fast channel (max speed) | -    | 4    | 5    | LSB  |
|         |                                      |  |              | Slow channel (max speed) | -    | 4    | 5    |      |
|         |                                      |  | Differential | Fast channel (max speed) | -    | 3.5  | 4.5  |      |
|         |                                      |  |              | Slow channel (max speed) | -    | 3.5  | 4.5  |      |
| EO      | Offset error                         |  | Single ended | Fast channel (max speed) | -    | 1    | 2.5  |      |
|         |                                      |  |              | Slow channel (max speed) | -    | 1    | 2.5  |      |
|         |                                      |  | Differential | Fast channel (max speed) | -    | 1.5  | 2.5  |      |
|         |                                      |  |              | Slow channel (max speed) | -    | 1.5  | 2.5  |      |
| EG      | Gain error                           |  | Single ended | Fast channel (max speed) | -    | 2.5  | 4.5  |      |
|         |                                      |  |              | Slow channel (max speed) | -    | 2.5  | 4.5  |      |
|         |                                      |  | Differential | Fast channel (max speed) | -    | 2.5  | 3.5  |      |
|         |                                      |  |              | Slow channel (max speed) | -    | 2.5  | 3.5  |      |
| ED      | Differential linearity error         | ADC clock frequency ≤ 80 MHz,<br>Sampling rate ≤ 5.33 Msps,<br>V <sub>DDA</sub> = VREF+ = 3 V,<br>TA = 25 °C<br>(ADC clock frequency ≤ 58 MHz for LQFP144) | Single ended | Fast channel (max speed) | -    | 1    | 3.5  |      |
|         |                                      |  |              | Slow channel (max speed) | -    | 1    | 3.5  |      |
|         |                                      |  | Differential | Fast channel (max speed) | -    | 1    | 2    |      |
|         |                                      |  |              | Slow channel (max speed) | -    | 1    | 2    |      |
| EL      | Integral linearity error             |  | Single ended | Fast channel (max speed) | -    | 1.5  | 2.5  |      |
|         |                                      |  |              | Slow channel (max speed) | -    | 1.5  | 2.5  |      |
|         |                                      |  | Differential | Fast channel (max speed) | -    | 1    | 2    |      |
|         |                                      |  |              | Slow channel (max speed) | -    | 1    | 2    |      |
| ENOB    | Effective number of bits             |  | Single ended | Fast channel (max speed) | 10.4 | 10.5 | -    | bits |
|         |                                      |  |              | Slow channel (max speed) | 10.4 | 10.5 | -    |      |
|         |                                      |  | Differential | Fast channel (max speed) | 10.8 | 10.9 | -    |      |
|         |                                      |  |              | Slow channel (max speed) | 10.8 | 10.9 | -    |      |
| SINAD   | Signal-to-noise and distortion ratio |  | Single ended | Fast channel (max speed) | 64.4 | 65   | -    | dB   |
|         |                                      |  |              | Slow channel (max speed) | 64.4 | 65   | -    |      |
|         |                                      |  | Differential | Fast channel (max speed) | 66.8 | 67.4 | -    |      |
|         |                                      |  |              | Slow channel (max speed) | 66.8 | 67.4 | -    |      |
| SNR     | Signal-to-noise ratio                |  | Single ended | Fast channel (max speed) | 65   | 66   | -    |      |
|         |                                      |  |              | Slow channel (max speed) | 65   | 66   | -    |      |
|         |                                      |  | Differential | Fast channel (max speed) | 67   | 68   | -    |      |
|         |                                      |  |              | Slow channel (max speed) | 67   | 68   | -    |      |



**Table 111. ADC accuracy - limited test conditions 1<sup>(1)</sup>(2)(3) (continued)**

| Sym-<br>bol | Parameter                 | Conditions <sup>(4)</sup>  |              | Min                      | Typ | Max | Unit |    |
|-------------|---------------------------|--|--------------|--------------------------|-----|-----|------|----|
| THD         | Total harmonic distortion | ADC clock frequency ≤ 80 MHz,<br>Sampling rate ≤ 5.33 Msps,<br>V <sub>DDA</sub> = V <sub>REF+</sub> = 3 V,<br>TA = 25 °C<br>(ADC clock frequency ≤ 58 MHz for LQFP144) | Single ended | Fast channel (max speed) | -   | -74 | -73  | dB |
|             |                           |  |              | Slow channel (max speed) | -   | -74 | -73  |    |
|             |                           |  | Differential | Fast channel (max speed) | -   | -79 | -76  |    |
|             |                           |  |              | Slow channel (max speed) | -   | -79 | -76  |    |

1. Guaranteed by design.
2. ADC DC accuracy values are measured after internal calibration.
3. ADC accuracy vs. negative Injection Current: Injecting negative current on any analog input pins should be avoided as this significantly reduces the accuracy of the conversion being performed on another analog input. It is recommended to add a Schottky diode (pin to ground) to analog pins which may potentially inject negative current.
4. The I/O analog switch voltage booster is enable when V<sub>DDA</sub> < 2.4 V (BOOSTEN = 1 in the SYSCFG\_CFGR1 when V<sub>DDA</sub> < 2.4 V). It is disable when V<sub>DDA</sub> ≥ 2.4 V. No oversampling.

Table 112. ADC accuracy - limited test conditions 2<sup>(1)(2)(3)</sup>

| Symbol | Parameter                            | Conditions <sup>(4)</sup> |                          | Min  | Typ  | Max | Unit |
|--------|--------------------------------------|---------------------------|--------------------------|------|------|-----|------|
| ET     | Total unadjusted error               | Single ended              | Fast channel (max speed) | -    | 4    | 6.5 | LSB  |
|        |                                      |                           | Slow channel (max speed) | -    | 4    | 6.5 |      |
|        |                                      | Differential              | Fast channel (max speed) | -    | 3.5  | 5.5 |      |
|        |                                      |                           | Slow channel (max speed) | -    | 3.5  | 5.5 |      |
| EO     | Offset error                         | Single ended              | Fast channel (max speed) | -    | 1    | 4.5 |      |
|        |                                      |                           | Slow channel (max speed) | -    | 1    | 5   |      |
|        |                                      | Differential              | Fast channel (max speed) | -    | 1.5  | 3   |      |
|        |                                      |                           | Slow channel (max speed) | -    | 1.5  | 3   |      |
| EG     | Gain error                           | Single ended              | Fast channel (max speed) | -    | 2.5  | 6   |      |
|        |                                      |                           | Slow channel (max speed) | -    | 2.5  | 6   |      |
|        |                                      | Differential              | Fast channel (max speed) | -    | 2.5  | 3.5 |      |
|        |                                      |                           | Slow channel (max speed) | -    | 2.5  | 3.5 |      |
| ED     | Differential linearity error         | Single ended              | Fast channel (max speed) | -    | 1    | 3.5 |      |
|        |                                      |                           | Slow channel (max speed) | -    | 1    | 3.5 |      |
|        |                                      | Differential              | Fast channel (max speed) | -    | 1    | 2   |      |
|        |                                      |                           | Slow channel (max speed) | -    | 1    | 2   |      |
| EL     | Integral linearity error             | Single ended              | Fast channel (max speed) | -    | 2.5  | 4.5 |      |
|        |                                      |                           | Slow channel (max speed) | -    | 2.5  | 4.5 |      |
|        |                                      | Differential              | Fast channel (max speed) | -    | 1    | 3   |      |
|        |                                      |                           | Slow channel (max speed) | -    | 1    | 2.5 |      |
| ENOB   | Effective number of bits             | Single ended              | Fast channel (max speed) | 10   | 10.5 | -   | bits |
|        |                                      |                           | Slow channel (max speed) | 10   | 10.5 | -   |      |
|        |                                      | Differential              | Fast channel (max speed) | 10.7 | 10.9 | -   |      |
|        |                                      |                           | Slow channel (max speed) | 10.7 | 10.9 | -   |      |
| SINAD  | Signal-to-noise and distortion ratio | Single ended              | Fast channel (max speed) | 62   | 65   | -   | dB   |
|        |                                      |                           | Slow channel (max speed) | 62   | 65   | -   |      |
|        |                                      | Differential              | Fast channel (max speed) | 66   | 67.4 | -   |      |
|        |                                      |                           | Slow channel (max speed) | 66   | 67.4 | -   |      |
| SNR    | Signal-to-noise ratio                | Single ended              | Fast channel (max speed) | 64   | 66   | -   |      |
|        |                                      |                           | Slow channel (max speed) | 64   | 66   | -   |      |
|        |                                      | Differential              | Fast channel (max speed) | 66.5 | 68   | -   |      |
|        |                                      |                           | Slow channel (max speed) | 66.5 | 68   | -   |      |

**Table 112. ADC accuracy - limited test conditions 2<sup>(1)</sup>(2)(3) (continued)**

| Sym-bol | Parameter                 | Conditions <sup>(4)</sup>   |                          | Min                      | Typ | Max | Unit |    |
|---------|---------------------------|---|--------------------------|--------------------------|-----|-----|------|----|
| THD     | Total harmonic distortion | ADC clock frequency ≤ 80 MHz,<br>Sampling rate ≤ 5.33 Msps,<br>2 V ≤ V <sub>DDA</sub><br>(ADC clock frequency ≤ 58 MHz for LQFP144) | Single ended             | Fast channel (max speed) | -   | -74 | -65  | dB |
|         |                           |   |                          | Slow channel (max speed) | -   | -74 | -67  |    |
|         |                           | Differential  | Fast channel (max speed) | -                        | -79 | -70 |      |    |
|         |                           |   | Slow channel (max speed) | -                        | -79 | -71 |      |    |

1. Guaranteed by design.
2. ADC DC accuracy values are measured after internal calibration.
3. ADC accuracy vs. negative Injection Current: Injecting negative current on any analog input pins should be avoided as this significantly reduces the accuracy of the conversion being performed on another analog input. It is recommended to add a Schottky diode (pin to ground) to analog pins which may potentially inject negative current.
4. The I/O analog switch voltage booster is enable when V<sub>DDA</sub> < 2.4 V (BOOSTEN = 1 in the SYSCFG\_CFGR1 when V<sub>DDA</sub> < 2.4 V). It is disable when V<sub>DDA</sub> ≥ 2.4 V. No oversampling.

Table 113. ADC accuracy - limited test conditions 3<sup>(1)(2)(3)</sup>

| Symbol | Parameter                            | Conditions <sup>(4)</sup> |                          | Min  | Typ  | Max | Unit |
|--------|--------------------------------------|---------------------------|--------------------------|------|------|-----|------|
| ET     | Total unadjusted error               | Single ended              | Fast channel (max speed) | -    | 5.5  | 7.5 | LSB  |
|        |                                      |                           | Slow channel (max speed) | -    | 4.5  | 6.5 |      |
|        |                                      | Differential              | Fast channel (max speed) | -    | 4.5  | 7.5 |      |
|        |                                      |                           | Slow channel (max speed) | -    | 4.5  | 5.5 |      |
| EO     | Offset error                         | Single ended              | Fast channel (max speed) | -    | 2    | 5   |      |
|        |                                      |                           | Slow channel (max speed) | -    | 2.5  | 5   |      |
|        |                                      | Differential              | Fast channel (max speed) | -    | 2    | 3.5 |      |
|        |                                      |                           | Slow channel (max speed) | -    | 2.5  | 3   |      |
| EG     | Gain error                           | Single ended              | Fast channel (max speed) | -    | 4.5  | 7   |      |
|        |                                      |                           | Slow channel (max speed) | -    | 3.5  | 6   |      |
|        |                                      | Differential              | Fast channel (max speed) | -    | 3.5  | 4   |      |
|        |                                      |                           | Slow channel (max speed) | -    | 3.5  | 5   |      |
| ED     | Differential linearity error         | Single ended              | Fast channel (max speed) | -    | 1    | 3.5 |      |
|        |                                      |                           | Slow channel (max speed) | -    | 1    | 3.5 |      |
|        |                                      | Differential              | Fast channel (max speed) | -    | 1    | 2   |      |
|        |                                      |                           | Slow channel (max speed) | -    | 1    | 2   |      |
| EL     | Integral linearity error             | Single ended              | Fast channel (max speed) | -    | 2.5  | 4.5 |      |
|        |                                      |                           | Slow channel (max speed) | -    | 2.5  | 4.5 |      |
|        |                                      | Differential              | Fast channel (max speed) | -    | 2    | 2.5 |      |
|        |                                      |                           | Slow channel (max speed) | -    | 2    | 2.5 |      |
| ENOB   | Effective number of bits             | Single ended              | Fast channel (max speed) | 10   | 10.4 | -   | bits |
|        |                                      |                           | Slow channel (max speed) | 10   | 10.4 | -   |      |
|        |                                      | Differential              | Fast channel (max speed) | 10.6 | 10.7 | -   |      |
|        |                                      |                           | Slow channel (max speed) | 10.6 | 10.7 | -   |      |
| SINAD  | Signal-to-noise and distortion ratio | Single ended              | Fast channel (max speed) | 62   | 64   | -   | dB   |
|        |                                      |                           | Slow channel (max speed) | 62   | 64   | -   |      |
|        |                                      | Differential              | Fast channel (max speed) | 65   | 66   | -   |      |
|        |                                      |                           | Slow channel (max speed) | 65   | 66   | -   |      |
| SNR    | Signal-to-noise ratio                | Single ended              | Fast channel (max speed) | 63   | 65   | -   |      |
|        |                                      |                           | Slow channel (max speed) | 63   | 65   | -   |      |
|        |                                      | Differential              | Fast channel (max speed) | 66   | 67   | -   |      |
|        |                                      |                           | Slow channel (max speed) | 66   | 67   | -   |      |

**Table 113. ADC accuracy - limited test conditions 3<sup>(1)</sup>(2)(3) (continued)**

| Sym-<br>bol | Parameter                 | Conditions <sup>(4)</sup>  |                          | Min                      | Typ | Max | Unit |    |
|-------------|---------------------------|--|--------------------------|--------------------------|-----|-----|------|----|
| THD         | Total harmonic distortion | ADC clock frequency ≤ 80 MHz,<br>Sampling rate ≤ 5.33 Msps,<br>1.65 V ≤ V <sub>DDA</sub> = V <sub>REF+</sub> ≤ 3.6 V,<br>Voltage scaling Range 1<br>(ADC clock frequency ≤ 58 MHz for LQFP144) | Single ended             | Fast channel (max speed) | -   | -69 | -67  | dB |
|             |                           |  |                          | Slow channel (max speed) | -   | -71 | -67  |    |
|             |                           | Differential   | Fast channel (max speed) | -                        | -72 | -71 |      |    |
|             |                           |  | Slow channel (max speed) | -                        | -72 | -71 |      |    |

1. Guaranteed by design.
2. ADC DC accuracy values are measured after internal calibration.
3. ADC accuracy vs. negative Injection Current: Injecting negative current on any analog input pins should be avoided as this significantly reduces the accuracy of the conversion being performed on another analog input. It is recommended to add a Schottky diode (pin to ground) to analog pins which may potentially inject negative current.
4. The I/O analog switch voltage booster is enable when V<sub>DDA</sub> < 2.4 V (BOOSTEN = 1 in the SYSCFG\_CFGR1 when V<sub>DDA</sub> < 2.4 V). It is disable when V<sub>DDA</sub> ≥ 2.4 V. No oversampling.

Table 114. ADC accuracy - limited test conditions 4<sup>(1)(2)(3)</sup>

| Symbol | Parameter                            | Conditions <sup>(4)</sup> |                          | Min  | Typ  | Max | Unit |
|--------|--------------------------------------|---------------------------|--------------------------|------|------|-----|------|
| ET     | Total unadjusted error               | Single ended              | Fast channel (max speed) | -    | 5    | 5.4 | LSB  |
|        |                                      |                           | Slow channel (max speed) | -    | 4    | 5   |      |
|        |                                      | Differential              | Fast channel (max speed) | -    | 4    | 5   |      |
|        |                                      |                           | Slow channel (max speed) | -    | 3.5  | 4.5 |      |
| EO     | Offset error                         | Single ended              | Fast channel (max speed) | -    | 2    | 4   |      |
|        |                                      |                           | Slow channel (max speed) | -    | 2    | 4   |      |
|        |                                      | Differential              | Fast channel (max speed) | -    | 2    | 3.5 |      |
|        |                                      |                           | Slow channel (max speed) | -    | 2    | 3.5 |      |
| EG     | Gain error                           | Single ended              | Fast channel (max speed) | -    | 4    | 4.5 |      |
|        |                                      |                           | Slow channel (max speed) | -    | 4    | 4.5 |      |
|        |                                      | Differential              | Fast channel (max speed) | -    | 3    | 4   |      |
|        |                                      |                           | Slow channel (max speed) | -    | 3    | 4   |      |
| ED     | Differential linearity error         | Single ended              | Fast channel (max speed) | -    | 1    | 1.5 |      |
|        |                                      |                           | Slow channel (max speed) | -    | 1    | 1.5 |      |
|        |                                      | Differential              | Fast channel (max speed) | -    | 1    | 1.2 |      |
|        |                                      |                           | Slow channel (max speed) | -    | 1    | 1.2 |      |
| EL     | Integral linearity error             | Single ended              | Fast channel (max speed) | -    | 2.5  | 3   |      |
|        |                                      |                           | Slow channel (max speed) | -    | 2.5  | 3   |      |
|        |                                      | Differential              | Fast channel (max speed) | -    | 2    | 2.5 |      |
|        |                                      |                           | Slow channel (max speed) | -    | 2    | 2.5 |      |
| ENOB   | Effective number of bits             | Single ended              | Fast channel (max speed) | 10.2 | 10.5 | -   | bits |
|        |                                      |                           | Slow channel (max speed) | 10.2 | 10.5 | -   |      |
|        |                                      | Differential              | Fast channel (max speed) | 10.6 | 10.7 | -   |      |
|        |                                      |                           | Slow channel (max speed) | 10.6 | 10.7 | -   |      |
| SINAD  | Signal-to-noise and distortion ratio | Single ended              | Fast channel (max speed) | 63   | 65   | -   | dB   |
|        |                                      |                           | Slow channel (max speed) | 63   | 65   | -   |      |
|        |                                      | Differential              | Fast channel (max speed) | 65   | 66   | -   |      |
|        |                                      |                           | Slow channel (max speed) | 65   | 66   | -   |      |
| SNR    | Signal-to-noise ratio                | Single ended              | Fast channel (max speed) | 64   | 65   | -   |      |
|        |                                      |                           | Slow channel (max speed) | 64   | 65   | -   |      |
|        |                                      | Differential              | Fast channel (max speed) | 66   | 67   | -   |      |
|        |                                      |                           | Slow channel (max speed) | 66   | 67   | -   |      |

**Table 114. ADC accuracy - limited test conditions 4<sup>(1)(2)(3)</sup> (continued)**

| Sym-<br>bol | Parameter                 | Conditions <sup>(4)</sup>  |              | Min                      | Typ | Max | Unit |    |
|-------------|---------------------------|--|--------------|--------------------------|-----|-----|------|----|
| THD         | Total harmonic distortion | ADC clock frequency ≤ 26 MHz,<br>1.65 V ≤ V <sub>DDA</sub> = VREF+ ≤ 3.6 V,<br>Voltage scaling Range 2 | Single ended | Fast channel (max speed) | -   | -71 | -69  | dB |
|             |                           |  |              | Slow channel (max speed) | -   | -71 | -69  |    |
|             |                           |  | Differential | Fast channel (max speed) | -   | -73 | -72  |    |
|             |                           |  |              | Slow channel (max speed) | -   | -73 | -72  |    |

1. Guaranteed by design.
2. ADC DC accuracy values are measured after internal calibration.
3. ADC accuracy vs. negative Injection Current: Injecting negative current on any analog input pins should be avoided as this significantly reduces the accuracy of the conversion being performed on another analog input. It is recommended to add a Schottky diode (pin to ground) to analog pins which may potentially inject negative current.
4. The I/O analog switch voltage booster is enable when V<sub>DDA</sub> < 2.4 V (BOOSTEN = 1 in the SYSCFG\_CFGR1 when V<sub>DDA</sub> < 2.4 V). It is disable when V<sub>DDA</sub> ≥ 2.4 V. No oversampling.

Figure 43. ADC accuracy characteristics

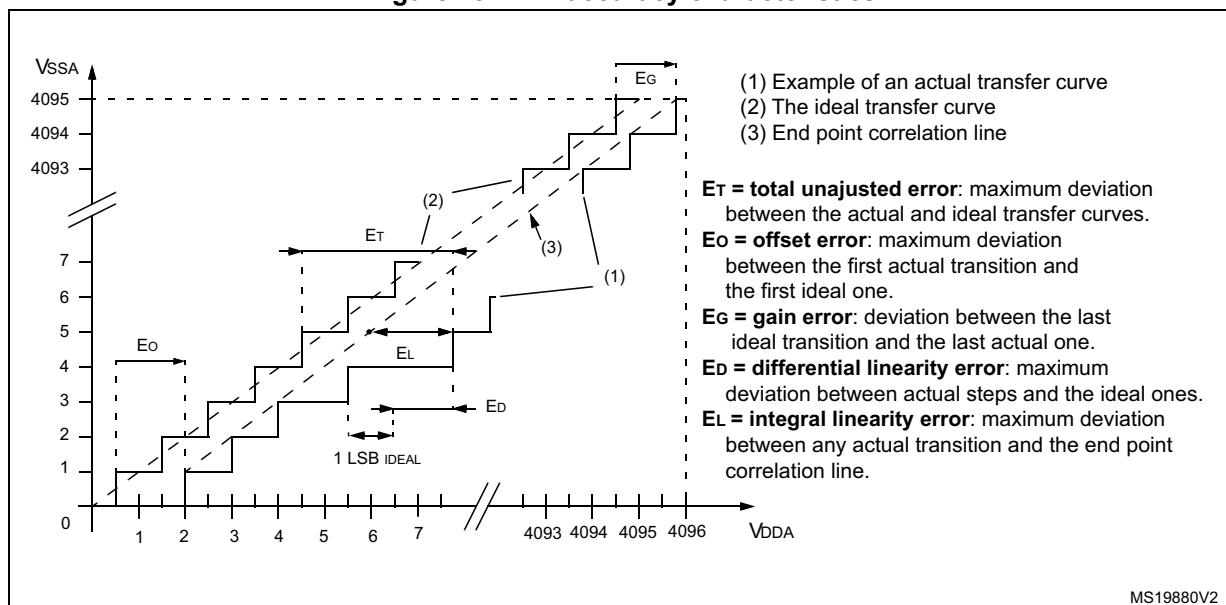
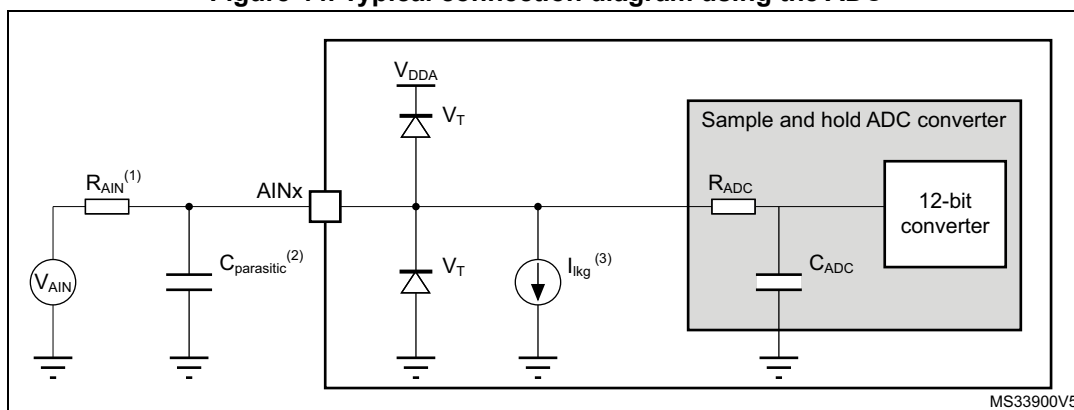


Figure 44. Typical connection diagram using the ADC



1. Refer to [Table 109: ADC characteristics](#) for the values of  $R_{AIN}$  and  $C_{ADC}$ .
2.  $C_{parasitic}$  represents the capacitance of the PCB (dependent on soldering and PCB layout quality) plus the pad capacitance (refer to [Table 102: I/O static characteristics](#) for the value of the pad capacitance). A high  $C_{parasitic}$  value downgrades the conversion accuracy. To remedy this,  $f_{ADC}$  should be reduced.
3. Refer to [Table 102: I/O static characteristics](#) for the values of  $I_{kg}$ .

**General PCB design guidelines**

Power supply decoupling should be performed as shown in the corresponding power supply scheme. The 10 nF capacitor should be ceramic (good quality) and it should be placed as close as possible to the chip.



5.3.20 Digital-to-Analog converter characteristics

Table 115. DAC characteristics<sup>(1)</sup>

| Symbol                             | Parameter  | Conditions  | Min                           | Typ  | Max                     | Unit |    |
|------------------------------------|--|---|-------------------------------|------|-------------------------|------|----|
| V <sub>DDA</sub>                   | Analog supply voltage for DAC ON   | DAC output buffer OFF, DAC_OUT pin not connected (internal connection only) | 1.71                          | -    | 3.6                     | V    |    |
|                                    |  | Other modes   | 1.80                          | -    |                         |      |    |
| V <sub>REF+</sub>                  | Positive reference voltage   | DAC output buffer OFF, DAC_OUT pin not connected (internal connection only) | 1.71                          | -    | V <sub>DDA</sub>        |      |    |
|                                    |  | Other modes   | 1.80                          | -    |                         |      |    |
| V <sub>REF-</sub>                  | Negative reference voltage   | -   | V <sub>SSA</sub>              |      |                         |      |    |
| R <sub>L</sub>                     | Resistive load   | DAC output buffer ON  | connected to V <sub>SSA</sub> | 5    | -                       |      | -  |
|                                    |  | connected to V <sub>DDA</sub>   | 25                            | -    | -                       |      |    |
| R <sub>O</sub>                     | Output Impedance   | DAC output buffer OFF   | 9.6                           | 11.7 | 13.8                    | kΩ   |    |
| R <sub>BON</sub>                   | Output impedance sample and hold mode, output buffer ON  | V <sub>DD</sub> = 2.7 V   | -                             | -    | 2                       | kΩ   |    |
|                                    |  | V <sub>DD</sub> = 2.0 V   | -                             | -    | 3.5                     |      |    |
| R <sub>BOFF</sub>                  | Output impedance sample and hold mode, output buffer OFF   | V <sub>DD</sub> = 2.7 V   | -                             | -    | 16.5                    | kΩ   |    |
|                                    |  | V <sub>DD</sub> = 2.0 V   | -                             | -    | 18.0                    |      |    |
| C <sub>L</sub>                     | Capacitive load  | DAC output buffer ON  | -                             | -    | 50                      | pF   |    |
| C <sub>SH</sub>                    |  | Sample and hold mode  | -                             | 0.1  | 1                       | μF   |    |
| V <sub>DAC_OUT</sub>               | Voltage on DAC_OUT output  | DAC output buffer ON  | 0.2                           | -    | V <sub>REF+</sub> - 0.2 | V    |    |
|                                    |  | DAC output buffer OFF   | 0                             | -    | V <sub>REF+</sub>       |      |    |
| t <sub>SETTLING</sub>              | Settling time (full scale: for a 12-bit code transition between the lowest and the highest input codes when DAC_OUT reaches final value ±0.5LSB, ±1 LSB, ±2 LSB, ±4 LSB, ±8 LSB) | Normal mode DAC output buffer ON<br>CL ≤ 50 pF,<br>RL ≥ 5 kΩ                | ±0.5 LSB                      | -    | 1.7                     | 3    | μs |
|                                    |  |   | ±1 LSB                        | -    | 1.6                     | 2.9  |    |
|                                    |  |   | ±2 LSB                        | -    | 1.55                    | 2.85 |    |
|                                    |  |   | ±4 LSB                        | -    | 1.48                    | 2.8  |    |
|                                    |  |   | ±8 LSB                        | -    | 1.4                     | 2.75 |    |
|                                    |  | Normal mode DAC output buffer OFF, ±1LSB, CL = 10 pF                        | -                             | 2    | 2.5                     |      |    |
| t <sub>WAKEUP</sub> <sup>(2)</sup> | Wakeup time from off state (setting the ENx bit in the DAC Control register) until final value ±1 LSB  | Normal mode DAC output buffer ON<br>CL ≤ 50 pF, RL ≥ 5 kΩ                   | -                             | 4.2  | 7.5                     | μs   |    |
|                                    |  | Normal mode DAC output buffer OFF, CL ≤ 10 pF                               | -                             | 2    | 5                       |      |    |
| PSRR                               | V <sub>DDA</sub> supply rejection ratio  | Normal mode DAC output buffer ON<br>CL ≤ 50 pF, RL = 5 kΩ, DC               | -                             | -80  | -28                     | dB   |    |

Table 115. DAC characteristics<sup>(1)</sup> (continued)

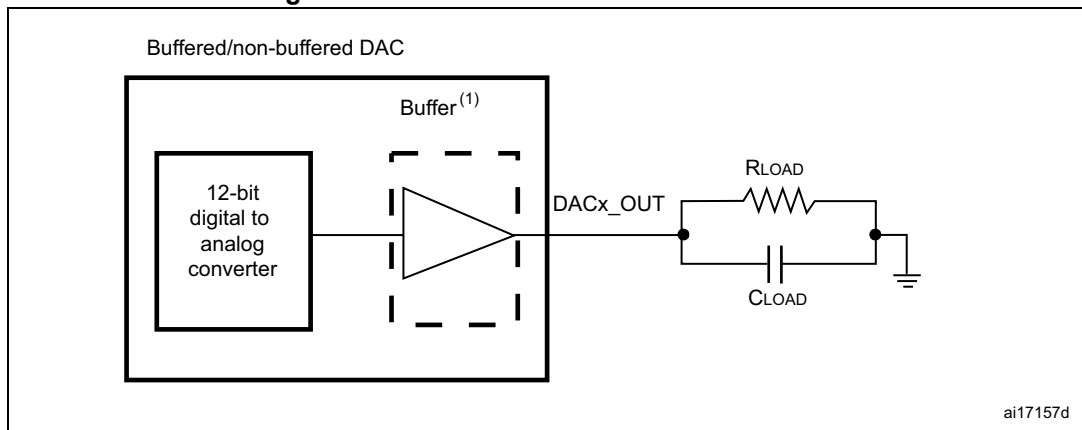
| Symbol                | Parameter   | Conditions  | Min                          | Typ  | Max  | Unit          |               |
|-----------------------|---|---|------------------------------|--|--|---------------|---------------|
| $T_{W\_to\_W}$        | Minimal time between two consecutive writes into the DAC_DORx register to guarantee a correct DAC_OUT for a small variation of the input code (1 LSB)<br>DAC_MCR:MODEx[2:0] = 000 or 001<br>DAC_MCR:MODEx[2:0] = 010 or 011 | $CL \leq 50 \text{ pF}$ , $RL \geq 5 \text{ k}\Omega$   | 1                            | -  | -  | $\mu\text{s}$ |               |
|                       |   | $CL \leq 10 \text{ pF}$                                 | 1.4                          | -  | -  | $\mu\text{s}$ |               |
| $t_{\text{SAMP}}$     | Sampling time in sample and hold mode (code transition between the lowest input code and the highest input code when DACOUT reaches final value $\pm 1\text{LSB}$ )   | DAC_OUT pin connected                                   |                              |  |  | ms            |               |
|                       |   | DAC output buffer ON, $C_{\text{SH}} = 100 \text{ nF}$  | -                            | 0.7  | 3.5  |               |               |
|                       |   | DAC output buffer OFF, $C_{\text{SH}} = 100 \text{ nF}$ | -                            | 10.5   | 18   |               |               |
|                       |   | DAC_OUT pin not connected (internal connection only)    |                              |  |  | $\mu\text{s}$ |               |
|                       |   | DAC output buffer OFF                                   | -                            | 2  | 3.5  | $\mu\text{s}$ |               |
| $I_{\text{leak}}$     | Output leakage current  | Sample and hold mode, DAC_OUT pin connected             | -                            | -  | -(3)   | nA            |               |
| $C_{\text{int}}$      | Internal sample and hold capacitor  | -   | 5.2                          | 7  | 8.8  | pF            |               |
| $t_{\text{TRIM}}$     | Middle code offset trim time  | DAC output buffer ON                                    | 50                           | -  | -  | $\mu\text{s}$ |               |
| $V_{\text{offset}}$   | Middle code offset for 1 trim code step   | $V_{\text{REF+}} = 3.6 \text{ V}$                       | -                            | 1500   | -  | $\mu\text{V}$ |               |
|                       |   | $V_{\text{REF+}} = 1.8 \text{ V}$                       | -                            | 750  | -  |               |               |
| $I_{\text{DDA(DAC)}}$ | DAC consumption from $V_{\text{DDA}}$   | DAC output buffer ON                                    | No load, middle code (0x800) | -  | 315  | 500           | $\mu\text{A}$ |
|                       |   |   | No load, worst code (0xF1C)  | -  | 450  | 670           |               |
|                       |   | DAC output buffer OFF                                   | No load, middle code (0x800) | -  | -  | 0.2           |               |
|                       |   | Sample and hold mode, $C_{\text{SH}} = 100 \text{ nF}$  | -                            | $315 \times \frac{T_{\text{on}}}{T_{\text{on}} + T_{\text{off}}}$ <sup>(4)</sup> | $670 \times \frac{T_{\text{on}}}{T_{\text{on}} + T_{\text{off}}}$ <sup>(4)</sup> |               |               |

Table 115. DAC characteristics<sup>(1)</sup> (continued)

| Symbol                 | Parameter                              | Conditions   | Min                          | Typ | Max                                   | Unit                                  |    |
|------------------------|--|--|------------------------------|-----|---------------------------------------|---------------------------------------|----|
| I <sub>DDV</sub> (DAC) | DAC consumption from V <sub>REF+</sub> | DAC output buffer ON   | No load, middle code (0x800) | -   | 185                                   | 240                                   | μA |
|                        |  |  | No load, worst code (0xF1C)  | -   | 340                                   | 400                                   |    |
|                        |  | DAC output buffer OFF  | No load, middle code (0x800) | -   | 155                                   | 205                                   |    |
|                        |  | Sample and hold mode, buffer ON, C <sub>SH</sub> = 100 nF, worst case  |                              | -   | 185 x Ton/(Ton + Toff) <sup>(4)</sup> | 400 x Ton/(Ton + Toff) <sup>(4)</sup> |    |
|                        |  | Sample and hold mode, buffer OFF, C <sub>SH</sub> = 100 nF, worst case |                              | -   | 155 x Ton/(Ton + Toff) <sup>(4)</sup> | 205 x Ton/(Ton + Toff) <sup>(4)</sup> |    |

1. Guaranteed by design.
2. In buffered mode, the output can overshoot above the final value for low input code (starting from min value).
3. Refer to [Table 102: I/O static characteristics](#).
4. Ton is the Refresh phase duration. Toff is the Hold phase duration. Refer to RM0351 reference manual for more details.

Figure 45. 12-bit buffered / non-buffered DAC



1. The DAC integrates an output buffer that can be used to reduce the output impedance and to drive external loads directly without the use of an external operational amplifier. The buffer can be bypassed by configuring the BOFFx bit in the DAC\_CR register.

Table 116. DAC accuracy ranges 0/1<sup>(1)</sup>

| Symbol    | Parameter                                    | Conditions   | Min                       | Typ  | Max  | Unit |     |
|-----------|--|--|---------------------------|------|------|------|-----|
| DNL       | Differential non linearity <sup>(2)</sup>    | DAC output buffer ON   | -                         | -    | ±2   | LSB  |     |
|           |  | DAC output buffer OFF  | -                         | -    | ±2   |      |     |
| -         | monotonicity                                 | 10 bits  | guaranteed                |      |      |      |     |
| INL       | Integral non linearity <sup>(3)</sup>        | DAC output buffer ON<br>CL ≤ 50 pF, RL ≥ 5 kΩ                      | -                         | -    | ±4   |      |     |
|           |  | DAC output buffer OFF<br>CL ≤ 50 pF, no RL                         | -                         | -    | ±4   |      |     |
| Offset    | Offset error at code 0x800 <sup>(3)</sup>    | DAC output buffer ON<br>CL ≤ 50 pF, RL ≥ 5 kΩ                      | V <sub>REF+</sub> = 3.6 V | -    | -    |      | ±12 |
|           |  |  | V <sub>REF+</sub> = 1.8 V | -    | -    |      | ±25 |
|           |  | DAC output buffer OFF<br>CL ≤ 50 pF, no RL                         |                           | -    | -    |      | ±8  |
| Offset1   | Offset error at code 0x001 <sup>(4)</sup>    | DAC output buffer OFF<br>CL ≤ 50 pF, no RL                         | -                         | -    | ±5   |      |     |
| OffsetCal | Offset Error at code 0x800 after calibration | DAC output buffer ON<br>CL ≤ 50 pF, RL ≥ 5 kΩ                      | V <sub>REF+</sub> = 3.6 V | -    | -    |      | ±5  |
|           |  |  | V <sub>REF+</sub> = 1.8 V | -    | -    | ±7   |     |
| Gain      | Gain error <sup>(5)</sup>                    | DAC output buffer ON<br>CL ≤ 50 pF, RL ≥ 5 kΩ                      | -                         | -    | ±0.5 | %    |     |
|           |  | DAC output buffer OFF<br>CL ≤ 50 pF, no RL                         | -                         | -    | ±0.5 |      |     |
| TUE       | Total unadjusted error                       | DAC output buffer ON<br>CL ≤ 50 pF, RL ≥ 5 kΩ                      | -                         | -    | ±30  | LSB  |     |
|           |  | DAC output buffer OFF<br>CL ≤ 50 pF, no RL                         | -                         | -    | ±12  |      |     |
| TUECal    | Total unadjusted error after calibration     | DAC output buffer ON<br>CL ≤ 50 pF, RL ≥ 5 kΩ                      | -                         | -    | ±23  | LSB  |     |
| SNR       | Signal-to-noise ratio                        | DAC output buffer ON<br>CL ≤ 50 pF, RL ≥ 5 kΩ<br>1 kHz, BW 500 kHz | -                         | 71.2 | -    | dB   |     |
|           |  | DAC output buffer OFF<br>CL ≤ 50 pF, no RL, 1 kHz<br>BW 500 kHz    | -                         | 71.6 | -    |      |     |
| THD       | Total harmonic distortion                    | DAC output buffer ON<br>CL ≤ 50 pF, RL ≥ 5 kΩ, 1 kHz               | -                         | -78  | -    | dB   |     |
|           |  | DAC output buffer OFF<br>CL ≤ 50 pF, no RL, 1 kHz                  | -                         | -79  | -    |      |     |

Table 116. DAC accuracy ranges 0/1<sup>(1)</sup> (continued)

| Symbol | Parameter                            | Conditions   | Min | Typ  | Max | Unit |
|--------|--------------------------------------|--|-----|------|-----|------|
| SINAD  | Signal-to-noise and distortion ratio | DAC output buffer ON<br>CL ≤ 50 pF, RL ≥ 5 kΩ, 1 kHz | -   | 70.4 | -   | dB   |
|        |                                      | DAC output buffer OFF<br>CL ≤ 50 pF, no RL, 1 kHz    | -   | 71   | -   |      |
| ENOB   | Effective number of bits             | DAC output buffer ON<br>CL ≤ 50 pF, RL ≥ 5 kΩ, 1 kHz | -   | 11.4 | -   | bits |
|        |                                      | DAC output buffer OFF<br>CL ≤ 50 pF, no RL, 1 kHz    | -   | 11.5 | -   |      |

1. Guaranteed by design.
2. Difference between two consecutive codes - 1 LSB.
3. Difference between measured value at Code i and the value at Code i on a line drawn between Code 0 and last Code 4095.
4. Difference between the value measured at Code (0x001) and the ideal value.
5. Difference between ideal slope of the transfer function and measured slope computed from code 0x000 and 0xFF when buffer is OFF, and from code giving 0.2 V and (V<sub>REF+</sub> - 0.2) V when buffer is ON.

## 5.3.21 Voltage reference buffer characteristics

Table 117. VREFBUF characteristics<sup>(1)</sup>

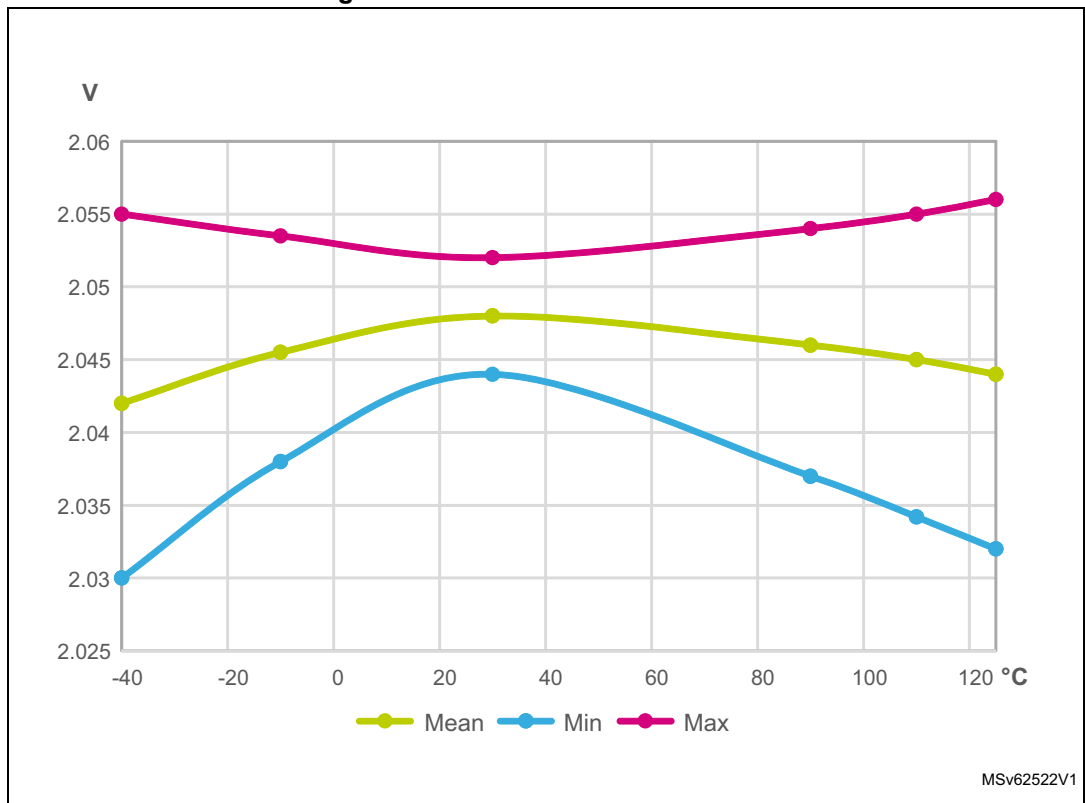
| Symbol                   | Parameter  | Conditions  |                           | Min                      | Typ        | Max                     | Unit             |
|--------------------------|--|---|---------------------------|--------------------------|------------|-------------------------|------------------|
| $V_{DDA}$                | Analog supply voltage                                      | Normal mode                                       | $V_{RS} = 0$              | 2.4                      | -          | 3.6                     | V                |
|                          |  |   | $V_{RS} = 1$              | 2.8                      | -          | 3.6                     |                  |
|                          |  | Degraded mode <sup>(2)</sup>                      | $V_{RS} = 0$              | 1.65                     | -          | 2.4                     |                  |
|                          |  |   | $V_{RS} = 1$              | 1.65                     | -          | 2.8                     |                  |
| $V_{REFBUF\_OUT}$        | Voltage reference output                                   | Normal mode<br>$I_{load}=100 \mu A/T=30^{\circ}C$ | $V_{RS} = 0$              | 2.044                    | 2.048      | 2.052                   |                  |
|                          |  |   | $V_{RS} = 1$              | 2.496                    | 2.5        | 2.504                   |                  |
|                          |  | Degraded mode <sup>(2)</sup>                      | $V_{RS} = 0$              | $V_{DDA}-250 \text{ mV}$ | -          | $V_{DDA}$               |                  |
|                          |  |   | $V_{RS} = 1$              | $V_{DDA}-250 \text{ mV}$ | -          | $V_{DDA}$               |                  |
| $\Delta V_{REFOUT\_VDD}$ | Voltage reference output spread over the main supply range | Normal mode                                       | $V_{RS}=0$                | -                        | -          | 5                       | mV               |
|                          |  |   | $V_{RS}=1$                | -                        | -          | 4                       | mV               |
| TRIM                     | Trim step resolution                                       | -   | -                         | -                        | $\pm 0.05$ | $\pm 0.1$               | %                |
| CL                       | Load capacitor   | -   | -                         | 0.5                      | 1          | 1.5                     | $\mu F$          |
| esr                      | Equivalent Serial Resistor of Cloud                        | -   | -                         | -                        | -          | 2                       | $\Omega$         |
| $I_{load}$               | Static load current  | -   | -                         | -                        | -          | 4                       | mA               |
| $I_{line\_reg}$          | Line regulation  | $2.8 \text{ V} \leq V_{DDA} \leq 3.6 \text{ V}$   | $I_{load} = 500 \mu A$    | -                        | -          | 2000                    | ppm/V            |
|                          |  |   | $I_{load} = 4 \text{ mA}$ | -                        | 100        | 500                     |                  |
| $I_{load\_reg}$          | Load regulation  | $500 \mu A \leq I_{load} \leq 4 \text{ mA}$       | Normal mode               | -                        | 50         | 500                     | ppm/mA           |
| $T_{Coeff}$              | Temperature coefficient                                    | $-40^{\circ}C < T_J < +125^{\circ}C$              |                           | -                        | -          | $T_{coeff\_vrefint+50}$ | ppm/ $^{\circ}C$ |
|                          |  | $0^{\circ}C < T_J < +50^{\circ}C$                 |                           | -                        | -          | $T_{coeff\_vrefint+50}$ |                  |
| PSRR                     | Power supply rejection                                     | DC  |                           | 40                       | 55         | -                       | dB               |
|                          |  | 100 kHz   |                           | 25                       | 40         | -                       |                  |
| $t_{START}$              | Start-up time  | $CL = 0.5 \mu F^{(3)}$                            |                           | -                        | 300        | 350                     | $\mu s$          |
|                          |  | $CL = 1.1 \mu F^{(3)}$                            |                           | -                        | 500        | 650                     |                  |
|                          |  | $CL = 1.5 \mu F^{(3)}$                            |                           | -                        | 650        | 800                     |                  |

Table 117. VREFBUF characteristics<sup>(1)</sup> (continued)

| Symbol             | Parameter  | Conditions             |   | Min | Typ | Max | Unit    |
|--------------------|--|------------------------|---|-----|-----|-----|---------|
| $I_{INRUSH}$       | Control of maximum DC current drive on VREFBUF_OUT during start-up phase (4) | -                      | - | -   | 8   | -   | mA      |
| $I_{DDA}(VREFBUF)$ | VREFBUF consumption from $V_{DDA}$   | $I_{load} = 0 \mu A$   |   | -   | 16  | 25  | $\mu A$ |
|                    |  | $I_{load} = 500 \mu A$ |   | -   | 18  | 30  |         |
|                    |  | $I_{load} = 4 mA$      |   | -   | 35  | 50  |         |

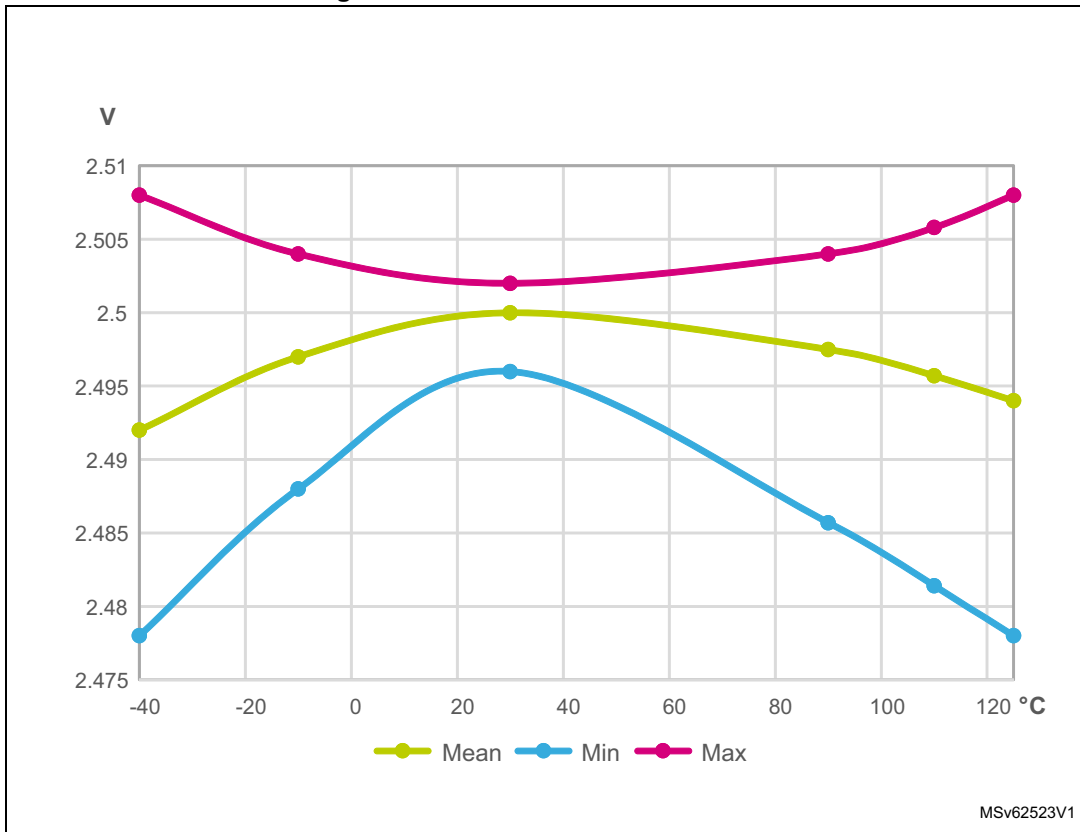
1. Guaranteed by design and characterization result, unless otherwise specified.
2. In degraded mode, the voltage reference buffer can not maintain accurately the output voltage which follows ( $V_{DDA}$  - drop voltage).
3. The capacitive load must include a 100 nF capacitor in order to cut-off the high frequency noise.
4. To correctly control the VREFBUF inrush current during start-up phase and scaling change, the  $V_{DDA}$  voltage should be in the range [2.4 V to 3.6 V] and [2.8 V to 3.6 V] respectively for  $V_{RS} = 0$  and  $V_{RS} = 1$ .

Figure 46. VREFBUF in case  $V_{RS} = 0$



MSv62522V1

Figure 47. VREFBUF in case VRS = 1





## 5.3.22 Comparator characteristics

Table 118. COMP characteristics<sup>(1)</sup>

| Symbol               | Parameter  | Conditions                | Min                  | Typ     | Max       | Unit    |         |
|----------------------|--|---------------------------|----------------------|---------|-----------|---------|---------|
| $V_{DDA}$            | Analog supply voltage  | -                         | 1.62                 | -       | 3.6       | V       |         |
| $V_{IN}$             | Comparator input voltage range                                   | -                         | 0                    | -       | $V_{DDA}$ |         |         |
| $V_{BG}^{(2)}$       | Scaler input voltage   | -                         | $V_{REFINT}$         |         |           |         |         |
| $V_{SC}$             | Scaler offset voltage  | -                         | -                    | $\pm 5$ | $\pm 10$  | mV      |         |
| $I_{DDA(SCALER)}$    | Scaler static consumption from $V_{DDA}$                         | BRG_EN=0 (bridge disable) | -                    | 200     | 300       | nA      |         |
|                      |  | BRG_EN=1 (bridge enable)  | -                    | 0.8     | 1         | $\mu A$ |         |
| $t_{START\_SCALER}$  | Scaler startup time  | -                         | -                    | 100     | 200       | $\mu s$ |         |
| $t_{START}$          | Comparator startup time to reach propagation delay specification | High-speed mode           | $V_{DDA} \geq 2.7 V$ | -       | -         | 5       | $\mu s$ |
|                      |  |                           | $V_{DDA} < 2.7 V$    | -       | -         | 7       |         |
|                      |  | Medium mode               | $V_{DDA} \geq 2.7 V$ | -       | -         | 15      |         |
|                      |  |                           | $V_{DDA} < 2.7 V$    | -       | -         | 25      |         |
| Ultra-low-power mode | -  | -                         | -                    | 80      |           |         |         |
| $t_D^{(3)}$          | Propagation delay for 200 mV step with 100 mV overdrive          | High-speed mode           | $V_{DDA} \geq 2.7 V$ | -       | 55        | 80      | ns      |
|                      |  |                           | $V_{DDA} < 2.7 V$    | -       | 65        | 100     |         |
|                      |  | Medium mode               | $V_{DDA} \geq 2.7 V$ | -       | 0.55      | 0.9     | $\mu s$ |
|                      |  |                           | $V_{DDA} < 2.7 V$    | -       | 0.65      | 1       |         |
| Ultra-low-power mode | -  | -                         | 5                    | 12      |           |         |         |
| $V_{offset}$         | Comparator offset error  | Full common mode range    | -                    | $\pm 5$ | $\pm 20$  | mV      |         |
| $V_{hys}$            | Comparator hysteresis  | No hysteresis             |                      | -       | 0         | -       | mV      |
|                      |  | Low hysteresis            |                      | -       | 8         | -       |         |
|                      |  | Medium hysteresis         |                      | -       | 15        | -       |         |
|                      |  | High hysteresis           |                      | -       | 27        | -       |         |

Table 118. COMP characteristics<sup>(1)</sup> (continued)

| Symbol          | Parameter                             | Conditions           |  | Min | Typ  | Max  | Unit    |
|-----------------|---------------------------------------|----------------------|--|-----|------|------|---------|
| $I_{DDA(Comp)}$ | Comparator consumption from $V_{DDA}$ | Ultra-low-power mode | Static   | -   | 400  | 600  | nA      |
|                 |                                       |                      | With 50 kHz $\pm 100$ mV overdrive square signal | -   | 1200 | -    |         |
|                 |                                       | Medium mode          | Static   | -   | 5    | 7    | $\mu A$ |
|                 |                                       |                      | With 50 kHz $\pm 100$ mV overdrive square signal | -   | 6    | -    |         |
|                 |                                       | High-speed mode      | Static   | -   | 70   | 100  |         |
|                 |                                       |                      | With 50 kHz $\pm 100$ mV overdrive square signal | -   | 75   | -    |         |
| $I_{bias}$      | Comparator input bias current         | -                    |  | -   | -    | -(4) | nA      |

1. Guaranteed by design, unless otherwise specified.
2. Refer to [Table 32: Embedded internal voltage reference](#).
3. Guaranteed by characterization results.
4. Mostly I/O leakage when used in analog mode. Refer to  $I_{Ikg}$  parameter in [Table 102: I/O static characteristics](#).

### 5.3.23 Operational amplifiers characteristics

Table 119. OPAMP characteristics<sup>(1)</sup>

| Symbol                       | Parameter  | Conditions                | Min | Typ      | Max       | Unit             |
|------------------------------|--|---------------------------|-----|----------|-----------|------------------|
| $V_{DDA}$                    | Analog supply voltage  | -                         | 1.8 | -        | 3.6       | V                |
| CMIR                         | Common mode input range  | -                         | 0   | -        | $V_{DDA}$ | V                |
| $V_{Ioffset}$                | Input offset voltage   | 25 °C, No Load on output. | -   | -        | $\pm 1.5$ | mV               |
|                              |  | All voltage/Temp.         | -   | -        | $\pm 3$   |                  |
| $\Delta V_{Ioffset}$         | Input offset voltage drift   | Normal mode               | -   | $\pm 5$  | -         | $\mu V/^\circ C$ |
|                              |  | Low-power mode            | -   | $\pm 10$ | -         |                  |
| TRIMOFFSETP<br>TRIMLPOFFSETP | Offset trim step at low common input voltage ( $0.1 \times V_{DDA}$ )  | -                         | -   | 0.8      | 1.1       | mV               |
| TRIMOFFSETN<br>TRIMLPOFFSETN | Offset trim step at high common input voltage ( $0.9 \times V_{DDA}$ ) | -                         | -   | 1        | 1.35      |                  |

Table 119. OPAMP characteristics<sup>(1)</sup> (continued)

| Symbol                            | Parameter   | Conditions     |  | Min                    | Typ  | Max  | Unit |
|-----------------------------------|---|----------------|--|------------------------|------|------|------|
| I <sub>LOAD</sub>                 | Drive current   | Normal mode    | V <sub>DDA</sub> ≥ 2 V   | -                      | -    | 500  | μA   |
|                                   |   | Low-power mode |  | -                      | -    | 100  |      |
| I <sub>LOAD_PGA</sub>             | Drive current in PGA mode                                 | Normal mode    | V <sub>DDA</sub> ≥ 2 V   | -                      | -    | 450  |      |
|                                   |   | Low-power mode |  | -                      | -    | 50   |      |
| R <sub>LOAD</sub>                 | Resistive load (connected to VSSA or to VDDA)             | Normal mode    | V <sub>DDA</sub> < 2 V   | 4                      | -    | -    | kΩ   |
|                                   |   | Low-power mode |  | 20                     | -    | -    |      |
| R <sub>LOAD_PGA</sub>             | Resistive load in PGA mode (connected to VSSA or to VDDA) | Normal mode    | V <sub>DDA</sub> < 2 V   | 4.5                    | -    | -    |      |
|                                   |   | Low-power mode |  | 40                     | -    | -    |      |
| C <sub>LOAD</sub>                 | Capacitive load   | -              |  | -                      | -    | 50   | pF   |
| CMRR                              | Common mode rejection ratio                               | Normal mode    |  | -                      | -85  | -    | dB   |
|                                   |   | Low-power mode |  | -                      | -90  | -    |      |
| PSRR                              | Power supply rejection ratio                              | Normal mode    | C <sub>LOAD</sub> ≤ 50 pf, R <sub>LOAD</sub> ≥ 4 kΩ DC                         | 70                     | 85   | -    | dB   |
|                                   |   | Low-power mode | C <sub>LOAD</sub> ≤ 50 pf, R <sub>LOAD</sub> ≥ 20 kΩ DC                        | 72                     | 90   | -    |      |
| GBW                               | Gain Bandwidth Product                                    | Normal mode    | V <sub>DDA</sub> ≥ 2.4 V (OPA_RANGE = 1)                                       | 550                    | 1600 | 2200 | kHz  |
|                                   |   | Low-power mode |  | 100                    | 420  | 600  |      |
|                                   |   | Normal mode    | V <sub>DDA</sub> < 2.4 V (OPA_RANGE = 0)                                       | 250                    | 700  | 950  |      |
|                                   |   | Low-power mode |  | 40                     | 180  | 280  |      |
| SR <sup>(2)</sup>                 | Slew rate (from 10 and 90% of output voltage)             | Normal mode    | V <sub>DDA</sub> ≥ 2.4 V   | -                      | 700  | -    | V/ms |
|                                   |   | Low-power mode |  | -                      | 180  | -    |      |
|                                   |   | Normal mode    | V <sub>DDA</sub> < 2.4 V   | -                      | 300  | -    |      |
|                                   |   | Low-power mode |  | -                      | 80   | -    |      |
| AO                                | Open loop gain  | Normal mode    |  | 55                     | 110  | -    | dB   |
|                                   |   | Low-power mode |  | 45                     | 110  | -    |      |
| V <sub>OHSAT</sub> <sup>(2)</sup> | High saturation voltage                                   | Normal mode    | I <sub>load</sub> = max or R <sub>load</sub> = min Input at V <sub>DDA</sub> . | V <sub>DDA</sub> - 100 | -    | -    | mV   |
|                                   |   | Low-power mode |  | V <sub>DDA</sub> - 50  | -    | -    |      |
| V <sub>OLSAT</sub> <sup>(2)</sup> | Low saturation voltage                                    | Normal mode    | I <sub>load</sub> = max or R <sub>load</sub> = min Input at 0.                 | -                      | -    | 100  |      |
|                                   |   | Low-power mode |  | -                      | -    | 50   |      |
| Φ <sub>m</sub>                    | Phase margin  | Normal mode    |  | -                      | 74   | -    | °    |
|                                   |   | Low-power mode |  | -                      | 66   | -    |      |

Table 119. OPAMP characteristics<sup>(1)</sup> (continued)

| Symbol                  | Parameter   | Conditions   |   | Min | Typ    | Max | Unit  |
|-------------------------|---|--|---|-----|--------|-----|-------|
| GM                      | Gain margin   | Normal mode  |   | -   | 13     | -   | dB    |
|                         |   | Low-power mode                                       |   | -   | 20     | -   |       |
| t <sub>WAKEUP</sub>     | Wake up time from OFF state.                                | Normal mode  | C <sub>LOAD</sub> ≤ 50 pf,<br>R <sub>LOAD</sub> ≥ 4 kΩ<br>follower configuration  | -   | 5      | 10  | μs    |
|                         |   | Low-power mode                                       | C <sub>LOAD</sub> ≤ 50 pf,<br>R <sub>LOAD</sub> ≥ 20 kΩ<br>follower configuration | -   | 10     | 30  |       |
| I <sub>bias</sub>       | OPAMP input bias current                                    | General purpose input (all packages except UFBGA132) |   | -   | -      | (3) | nA    |
|                         |   | Dedicated input (UFBGA132)                           | T <sub>J</sub> ≤ 75 °C  | -   | -      | 1   |       |
|                         |   |  | T <sub>J</sub> ≤ 85 °C  | -   | -      | 3   |       |
|                         |   |  | T <sub>J</sub> ≤ 105 °C   | -   | -      | 8   |       |
| T <sub>J</sub> ≤ 125 °C | -   |  | -   | 15  |        |     |       |
| PGA gain <sup>(2)</sup> | Non inverting gain value                                    | -  |   | -   | 2      | -   | -     |
|                         |   |  |   | -   | 4      | -   |       |
|                         |   |  |   | -   | 8      | -   |       |
|                         |   |  |   | -   | 16     | -   |       |
| R <sub>network</sub>    | R2/R1 internal resistance values in PGA mode <sup>(4)</sup> | PGA Gain = 2   |   | -   | 80/80  | -   | kΩ/kΩ |
|                         |   | PGA Gain = 4   |   | -   | 120/40 | -   |       |
|                         |   | PGA Gain = 8   |   | -   | 140/20 | -   |       |
|                         |   | PGA Gain = 16  |   | -   | 150/10 | -   |       |
| Delta R                 | Resistance variation (R1 or R2)                             | -  |   | -15 | -      | 15  | %     |
| PGA gain error          | PGA gain error  | -  |   | -1  | -      | 1   | %     |
| PGA BW                  | PGA bandwidth for different non inverting gain              | Gain = 2   | -   | -   | GBW/2  | -   | MHz   |
|                         |   | Gain = 4   | -   | -   | GBW/4  | -   |       |
|                         |   | Gain = 8   | -   | -   | GBW/8  | -   |       |
|                         |   | Gain = 16  | -   | -   | GBW/16 | -   |       |

Table 119. OPAMP characteristics<sup>(1)</sup> (continued)

| Symbol                                 | Parameter                               | Conditions     |                                     | Min | Typ | Max | Unit   |
|--|---|----------------|-------------------------------------|-----|-----|-----|--------|
| en                                     | Voltage noise density                   | Normal mode    | at 1 kHz, Output loaded with 4 kΩ   | -   | 500 | -   | nV/√Hz |
|  |   | Low-power mode | at 1 kHz, Output loaded with 20 kΩ  | -   | 600 | -   |        |
|  |   | Normal mode    | at 10 kHz, Output loaded with 4 kΩ  | -   | 180 | -   |        |
|  |   | Low-power mode | at 10 kHz, Output loaded with 20 kΩ | -   | 290 | -   |        |
| I <sub>DDA(OPAMP)</sub> <sup>(2)</sup> | OPAMP consumption from V <sub>DDA</sub> | Normal mode    | no Load, quiescent mode             | -   | 120 | 260 | μA     |
|  |   | Low-power mode |                                     | -   | 45  | 100 |        |

1. Guaranteed by design, unless otherwise specified.
2. Guaranteed by characterization results.
3. Mostly I/O leakage, when used in analog mode. Refer to I<sub>lkg</sub> parameter in [Table 102: I/O static characteristics](#).
4. R2 is the internal resistance between OPAMP output and OPAMP inverting input. R1 is the internal resistance between OPAMP inverting input and ground. The PGA gain = 1+R2/R1

### 5.3.24 Temperature sensor characteristics

Table 120. TS characteristics

| Symbol  | Parameter  | Min   | Typ     | Max     | Unit                   |
|---|--|-------|---------|---------|------------------------|
| $T_L^{(1)}$   | $V_{TS}$ linearity with temperature  | -     | $\pm 1$ | $\pm 2$ | $^{\circ}\text{C}$     |
| Avg_Slope <sup>(2)</sup>                            | Average slope  | 2.3   | 2.5     | 2.7     | mV/ $^{\circ}\text{C}$ |
| $V_{30}$  | Voltage at 30 $^{\circ}\text{C}$ ( $\pm 5$ $^{\circ}\text{C}$ ) <sup>(3)</sup> | 0.742 | 0.76    | 0.785   | V                      |
| $t_{\text{START}}^{(1)}$<br>(TS_BUF) <sup>(1)</sup> | Sensor Buffer Start-up time in continuous mode <sup>(4)</sup>                  | -     | 8       | 15      | $\mu\text{s}$          |
| $t_{\text{START}}^{(1)}$                            | Start-up time when entering in continuous mode <sup>(4)</sup>                  | -     | 70      | 120     | $\mu\text{s}$          |
| $t_{\text{S\_temp}}^{(1)}$                          | ADC sampling time when reading the temperature                                 | 5     | -       | -       | $\mu\text{s}$          |
| $I_{\text{DD}}(\text{TS})^{(1)}$                    | Temperature sensor consumption from $V_{\text{DD}}$ , when selected by ADC     | -     | 4.7     | 7       | $\mu\text{A}$          |

1. Guaranteed by design.
2. Guaranteed by characterization results.
3. Measured at  $V_{\text{DDA}} = 3.0 \text{ V} \pm 10 \text{ mV}$ . The  $V_{30}$  ADC conversion result is stored in the TS\_CAL1 byte. Refer to [Table 14: Temperature sensor calibration values](#).
4. Continuous mode means Run/Sleep modes, or temperature sensor enable in Low-power run/Low-power sleep modes.

### 5.3.25 $V_{\text{BAT}}$ monitoring characteristics

Table 121.  $V_{\text{BAT}}$  monitoring characteristics<sup>(1)</sup>

| Symbol                     | Parameter                               | Min | Typ | Max | Unit          |
|----------------------------|---|-----|-----|-----|---------------|
| R                          | Resistor bridge for $V_{\text{BAT}}$    | -   | 39  | -   | k $\Omega$    |
| Q                          | Ratio on $V_{\text{BAT}}$ measurement   | -   | 3   | -   | -             |
| $E_r^{(2)}$                | Error on Q                              | -10 | -   | 10  | %             |
| $t_{\text{S\_vbat}}^{(2)}$ | ADC sampling time when reading the VBAT | 12  | -   | -   | $\mu\text{s}$ |

1.  $1.55 \text{ V} < V_{\text{BAT}} < 3.6 \text{ V}$
2. Guaranteed by design.

Table 122.  $V_{\text{BAT}}$  charging characteristics

| Symbol          | Parameter                 | Conditions | Min | Typ | Max | Unit       |
|-----------------|---------------------------|------------|-----|-----|-----|------------|
| $R_{\text{BC}}$ | Battery charging resistor | VBRS = 0   | -   | 5   | -   | k $\Omega$ |
|                 |                           | VBRS = 1   | -   | 1.5 | -   |            |

### 5.3.26 Temperature and $V_{DD}$ thresholds monitoring

Temperature and upper  $V_{DD}$  voltage monitoring characteristics for tamper detection are detailed in the table below:

**Table 123. Temp and  $V_{DD}$  monitoring characteristics**

| Symbol               | Parameter  | Conditions | Min | Typ                 | Max | Unit |
|----------------------|--|------------|-----|---------------------|-----|------|
| TEMP <sub>high</sub> | High temperature threshold monitoring              | -          | 115 | 123 <sup>(1)</sup>  | 130 | °C   |
| TEMP <sub>low</sub>  | Low temperature threshold monitoring               | -          | -45 | -36 <sup>(1)</sup>  | -30 |      |
| VDD <sub>high</sub>  | High VDD supply monitoring                         | -          | 3.6 | 3.65 <sup>(1)</sup> | 3.7 | V    |
| TPWM <sub>on</sub>   | Minimum PWM ON time in case of periodic monitoring | -          | -   | 400 <sup>(2)</sup>  | -   | μs   |

1. Guaranteed by characterization results.

2. Guaranteed by design.

### 5.3.27 DFSDM characteristics

Unless otherwise specified, the parameters given in [Table 124](#) for DFSDM are derived from tests performed under the ambient temperature,  $f_{APB2}$  frequency and  $V_{DD}$  supply voltage conditions summarized in [Table 27: General operating conditions](#).

- Output speed is set to OSPEEDRy[1:0] = 10
- Capacitive load C = 30 pF
- Measurement points are done at CMOS levels:  $0.5 \times V_{DD}$

Refer to [Section 5.3.15: I/O port characteristics](#) for more details on the input/output alternate function characteristics (DFSDM1\_CKINy, DFSDM1\_DATINy, DFSDM1\_CKOUT for DFSDM).

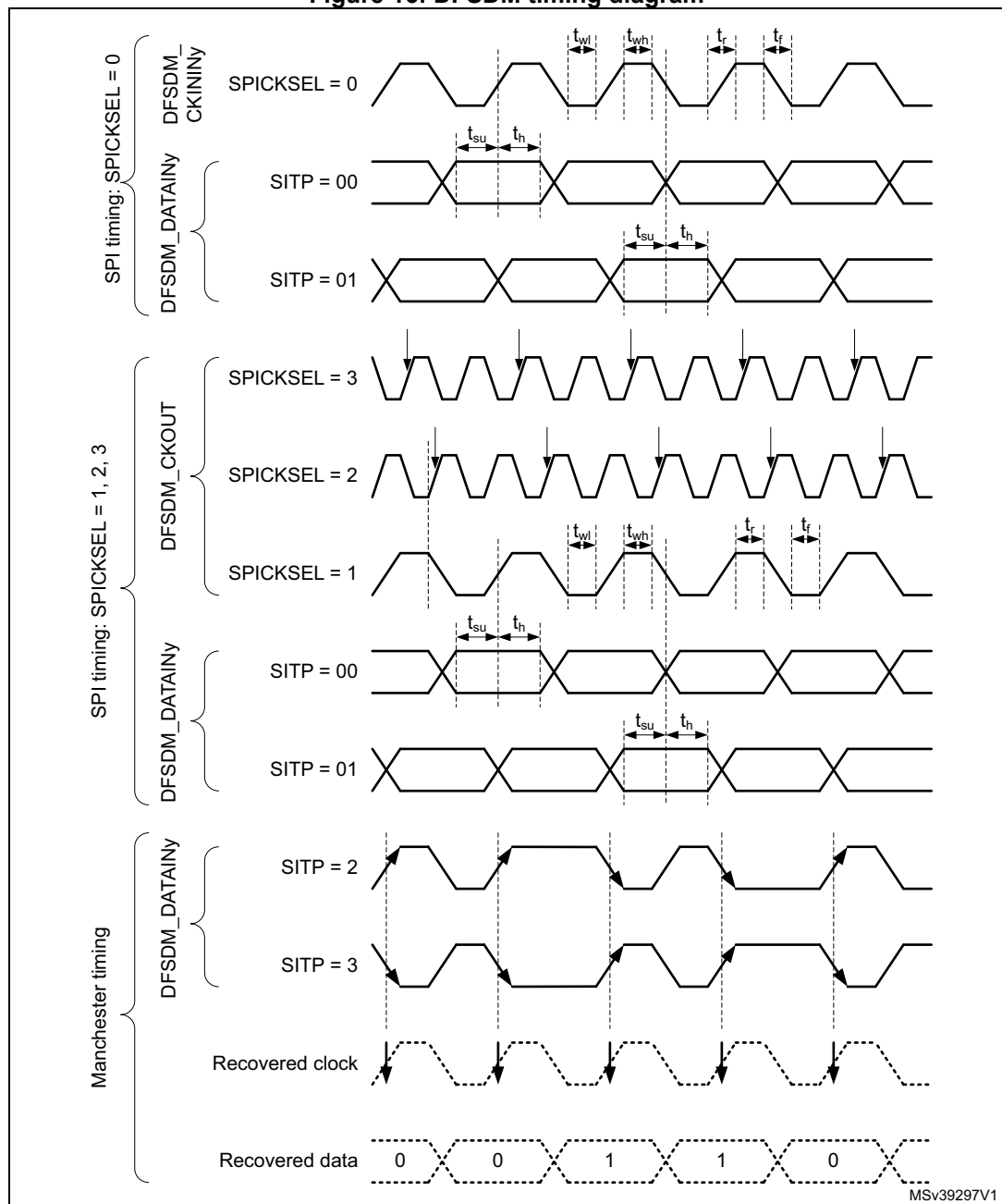
Table 124. DFSDM measured timing 1.71 to 3.6 V<sup>(1)</sup>

| Symbol   | Parameter                                       | Conditions   | Min                                      | Typ                  | Max                                     | Unit |
|--|---|--|--|----------------------|---|------|
| f <sub>DFSDMCLK</sub>                          | DFSDM clock                                     | 1.71 < V <sub>DD</sub> < 3.6 V   | -  | -                    | f <sub>SYSCLK</sub>                     | MHz  |
| f <sub>CKIN</sub><br>(1/T <sub>CKIN</sub> )    | Input clock frequency                           | SPI mode (SITP[1:0]=0,1),<br>External clock mode<br>(SPICKSEL[1:0]=0),<br>1.71 < V <sub>DD</sub> < 3.6 V           | -  | -                    | 20                                      |      |
|  |   | SPI mode (SITP[1:0]=0,1),<br>External clock mode<br>(SPICKSEL[1:0]=0),<br>2.7 < V <sub>DD</sub> < 3.6 V            | -  | -                    | 20                                      |      |
|  |   | SPI mode (SITP[1:0]=0,1),<br>Internal clock mode<br>(SPICKSEL[1:0]≠0),<br>1.71 < V <sub>DD</sub> < 3.6 V           | -  | -                    | 20                                      |      |
|  |   | SPI mode (SITP[1:0]=0,1),<br>Internal clock mode<br>(SPICKSEL[1:0]≠0),<br>2.7 < V <sub>DD</sub> < 3.6 V            | -  | -                    | 20                                      |      |
| f <sub>CKOUT</sub>                             | Output clock frequency                          | 1.71 < V <sub>DD</sub> < 3.6 V   | -  | -                    | 20                                      |      |
| DuCY <sub>CKOUT</sub>                          | Output clock frequency duty cycle               | 1.71 < V <sub>DD</sub> < 3.6 V   | 45                                       | 50                   | 55                                      | %    |
| t <sub>wh(CKIN)</sub><br>t <sub>wl(CKIN)</sub> | Input clock high and low time                   | SPI mode (SITP[1:0]=0,1),<br>External clock mode<br>(SPICKSEL[1:0]=0),<br>1.71 < V <sub>DD</sub> < 3.6 V           | T <sub>CKIN</sub> /2-0.5                 | T <sub>CKIN</sub> /2 | -                                       | ns   |
| t <sub>su</sub>                                | Data input setup time                           | SPI mode (SITP[1:0]=0,1),<br>External clock mode<br>(SPICKSEL[1:0]=0),<br>1.71 < V <sub>DD</sub> < 3.6 V           | 3  | -                    | -                                       |      |
| t <sub>h</sub>                                 | Data input hold time                            | SPI mode (SITP[1:0]=0,1),<br>External clock mode<br>(SPICKSEL[1:0]=0),<br>1.71 < V <sub>DD</sub> < 3.6 V           | 2.5                                      | -                    | -                                       |      |
| T <sub>Manchester</sub>                        | Manchester data period (recovered clock period) | Manchester mode<br>(SITP[1:0]=2,3),<br>Internal clock mode<br>(SPICKSEL[1:0]≠0),<br>1.71 < V <sub>DD</sub> < 3.6 V | (CKOUTDIV +1) *<br>T <sub>DFSDMCLK</sub> | -                    | (2*CKOUTDIV) *<br>T <sub>DFSDMCLK</sub> |      |

1. Data based on characterization results, not tested in production.



Figure 16: DFSDM timing diagram



### 5.3.28 Timer characteristics

The parameters given in the following tables are guaranteed by design.

Refer to [Section 5.3.15: I/O port characteristics](#) for details on the input/output alternate function characteristics (output compare, input capture, external clock, PWM output).

**Table 125. TIMx<sup>(1)</sup> characteristics**

| Symbol                 | Parameter                                    | Conditions                     | Min   | Max                     | Unit                 |
|------------------------|--|--------------------------------|-------|-------------------------|----------------------|
| t <sub>res(TIM)</sub>  | Timer resolution time                        | -                              | 1     | -                       | t <sub>TIMxCLK</sub> |
|                        |  | f <sub>TIMxCLK</sub> = 110 MHz | 8.33  | -                       | ns                   |
| f <sub>EXT</sub>       | Timer external clock frequency on CH1 to CH4 | -                              | 0     | f <sub>TIMxCLK</sub> /2 | MHz                  |
|                        |  | f <sub>TIMxCLK</sub> = 110 MHz | 0     | 55                      | MHz                  |
| Res <sub>TIM</sub>     | Timer resolution                             | TIMx (except TIM2 and TIM5)    | -     | 16                      | bit                  |
|                        |  | TIM2 and TIM5                  | -     | 32                      |                      |
| t <sub>COUNTER</sub>   | 16-bit counter clock period                  | -                              | 1     | 65536                   | t <sub>TIMxCLK</sub> |
|                        |  | f <sub>TIMxCLK</sub> = 110 MHz | 0.009 | 595.78                  | μs                   |
| t <sub>MAX_COUNT</sub> | Maximum possible count with 32-bit counter   | -                              | -     | 65536 × 65536           | t <sub>TIMxCLK</sub> |
|                        |  | f <sub>TIMxCLK</sub> = 110 MHz | -     | 39.045                  | s                    |

1. TIMx is used as a general term in which x stands for 1,2,3,4,5,6,7,8,15,16 or 17.

**Table 126. IWDG min/max timeout period at 32 kHz (LSI)<sup>(1)</sup>**

| Prescaler divider | PR[2:0] bits | Min timeout RL[11:0]= 0x000 | Max timeout RL[11:0]= 0xFFFF | Unit |
|-------------------|--------------|-----------------------------|------------------------------|------|
| /4                | 0            | 0.125                       | 512                          | ms   |
| /8                | 1            | 0.250                       | 1024                         |      |
| /16               | 2            | 0.500                       | 2048                         |      |
| /32               | 3            | 1.0                         | 4096                         |      |
| /64               | 4            | 2.0                         | 8192                         |      |
| /128              | 5            | 4.0                         | 16384                        |      |
| /256              | 6 or 7       | 8.0                         | 32768                        |      |

1. The exact timings still depend on the phasing of the APB interface clock versus the LSI clock so that there is always a full RC period of uncertainty.

**Table 127. WWDG min/max timeout value at 110 MHz (PCLK)**

| Prescaler | WDGTB | Min timeout value | Max timeout value | Unit |
|-----------|-------|-------------------|-------------------|------|
| 1         | 0     | 0.037             | 2.368             | ms   |
| 2         | 1     | 0.074             | 4.736             |      |
| 4         | 2     | 0.149             | 9.536             |      |
| 8         | 3     | 0.298             | 19.072            |      |

### 5.3.29 Communication interfaces characteristics

#### I<sup>2</sup>C interface characteristics

The I2C interface meets the timings requirements of the I<sup>2</sup>C-bus specification and user manual rev. 03 for:

- Standard-mode (Sm): with a bit rate up to 100 kbit/s
- Fast-mode (Fm): with a bit rate up to 400 kbit/s
- Fast-mode Plus (Fm+): with a bit rate up to 1 Mbit/s.

The I2C timings requirements are guaranteed by design when the I2C peripheral is properly configured (refer to RM0351 reference manual).

The SDA and SCL I/O requirements are met with the following restrictions: the SDA and SCL I/O pins are not “true” open-drain. When configured as open-drain, the PMOS connected between the I/O pin and V<sub>DDIOx</sub> is disabled, but is still present. Only FT\_f I/O pins support Fm+ low level output current maximum requirement. Refer to [Section 5.3.15: I/O port characteristics](#) for the I2C I/Os characteristics.

All I2C SDA and SCL I/Os embed an analog filter. Refer to [Table 128](#) below for the analog filter characteristics:

**Table 128. I2C analog filter characteristics<sup>(1)</sup>**

| Symbol          | Parameter  | Min               | Max                | Unit |
|-----------------|--|-------------------|--------------------|------|
| t <sub>AF</sub> | Maximum pulse width of spikes that are suppressed by the analog filter | 50 <sup>(2)</sup> | 260 <sup>(3)</sup> | ns   |

1. Guaranteed by design.
2. Spikes with widths below t<sub>AF(min)</sub> are filtered.
3. Spikes with widths above t<sub>AF(max)</sub> are not filtered

**SPI characteristics**

Unless otherwise specified, the parameters given in [Table 129](#) for SPI are derived from tests performed under the ambient temperature,  $f_{PCLKx}$  frequency and supply voltage conditions summarized in [Table 27: General operating conditions](#).

- Output speed is set to  $OSPEEDRy[1:0] = 11$
- Capacitive load  $C = 30 \text{ pF}$
- Measurement points are done at CMOS levels:  $0.5V_{DD}$

Refer to [Section 5.3.15: I/O port characteristics](#) for more details on the input/output alternate function characteristics (NSS, SCK, MOSI, MISO for SPI).

**Table 129. SPI characteristics<sup>(1)</sup>**

| Symbol               | Parameter             | Conditions   | Min     | Typ   | Max <sup>(2)</sup> | Unit |
|----------------------|-----------------------|--|---------|-------|--------------------|------|
| fSCK<br>1/tc(SCK)    | SPI clock frequency   | Master mode<br>2.7<VDD<3.6<br>Voltage ranges 0/1                         | -       | -     | 55                 | MHz  |
|                      |                       | Master mode<br>1.71<VDD<3.6<br>Voltage ranges 0/1                        |         |       | 44                 |      |
|                      |                       | Master transmitter mode<br>1.71<VDD<3.6<br>Voltage ranges 0/1            |         |       | 55                 |      |
|                      |                       | Slave receiver mode 1.71<VDD<3.6<br>Voltage ranges 0/1                   |         |       | 55                 |      |
|                      |                       | Slave mode transmitter/full duplex<br>2.7<VDD<3.6<br>Voltage ranges 0/1  |         |       | 36                 |      |
|                      |                       | Slave mode transmitter/full duplex<br>1.71<VDD<3.6<br>Voltage ranges 0/1 |         |       | 23                 |      |
|                      |                       | Slave mode transmitter/full duplex<br>1.71<VDD<3.6<br>Voltage range 2    |         |       | 20                 |      |
|                      |                       | Slave mode transmitter/full duplex<br>1.08<VDD<1.32 <sup>(3)</sup>       |         |       | 12                 |      |
| tsu(NSS)             | NSS setup time        | Slave mode, SPI presc = 2  | 4×Tpclk | -     | -                  | -    |
| th(NSS)              | NSS hold time         | Slave mode, SPI presc = 2  | 2TTPclk | -     | -                  |      |
| tw(SCKH)<br>tw(SCKL) | SCK high and low time | Master mode  | Tpclk-1 | Tpclk | Tpclk+1            |      |

**Table 129. SPI characteristics<sup>(1)</sup> (continued)**

| Symbol   | Parameter                | Conditions                                     | Min | Typ  | Max <sup>(2)</sup> | Unit |
|----------|--------------------------|--|-----|------|--------------------|------|
| tsu(MI)  | Data input setup time    | Master mode                                    | 2   | -    | -                  | ns   |
| tsu(SI)  |                          | Slave mode                                     | 1.5 | -    | -                  |      |
| th(MI)   | Data input hold time     | Master mode                                    | 7.5 | -    | -                  |      |
| th(SI)   |                          | Slave mode                                     | 3   | -    | -                  |      |
| ta(SO)   | Data output access time  | Slave mode                                     | 9   | -    | 34                 |      |
| tdis(SO) | Data output disable time | Slave mode                                     | 9   | -    | 16                 |      |
| tv(SO)   | Data output valid time   | Slave mode 2.7<VDD<3.6V<br>Voltage ranges 0/1  | -   | 9    | 13.75              |      |
|          |                          | Slave mode 1.71<VDD<3.6V<br>Voltage ranges 0/1 | -   | 9    | 21.5               |      |
|          |                          | Slave mode 1.71<VDD<3.6V<br>Voltage range 2    | -   | 11.5 | 24.5               |      |
|          |                          | Slave mode <sup>(3)</sup><br>1.08<VDD<1.32V    | -   | 28.5 | 40.5               |      |
| tv(MO)   |                          | Master mode                                    | -   | 0    | 1                  |      |
| th(SO)   | Data output hold time    | Slave mode<br>1.71<VDD<3.6V                    | 7.5 | -    | -                  |      |
|          |                          | Slave mode <sup>(3)</sup><br>1.08<VDD<1.32V    | 21  | -    | -                  |      |
| th(MO)   |                          | Master mode                                    | 0   | -    | -                  |      |

1. Guaranteed by characterization results.
2. Maximum frequency in Slave transmitter mode is determined by the sum of tv(SO) and tsu(MI) which has to fit into SCK low or high phase preceding the SCK sampling edge. This value can be achieved when the SPI communicates with a master having tsu(MI) = 0 while Duty(SCK) = 50%.
3. SPI mapped on GPIOG port which is supplied by VDDIO2 specified down to 1.08 V. SPI is tested in this voltage.

Figure 48. SPI timing diagram - slave mode and CPHA = 0

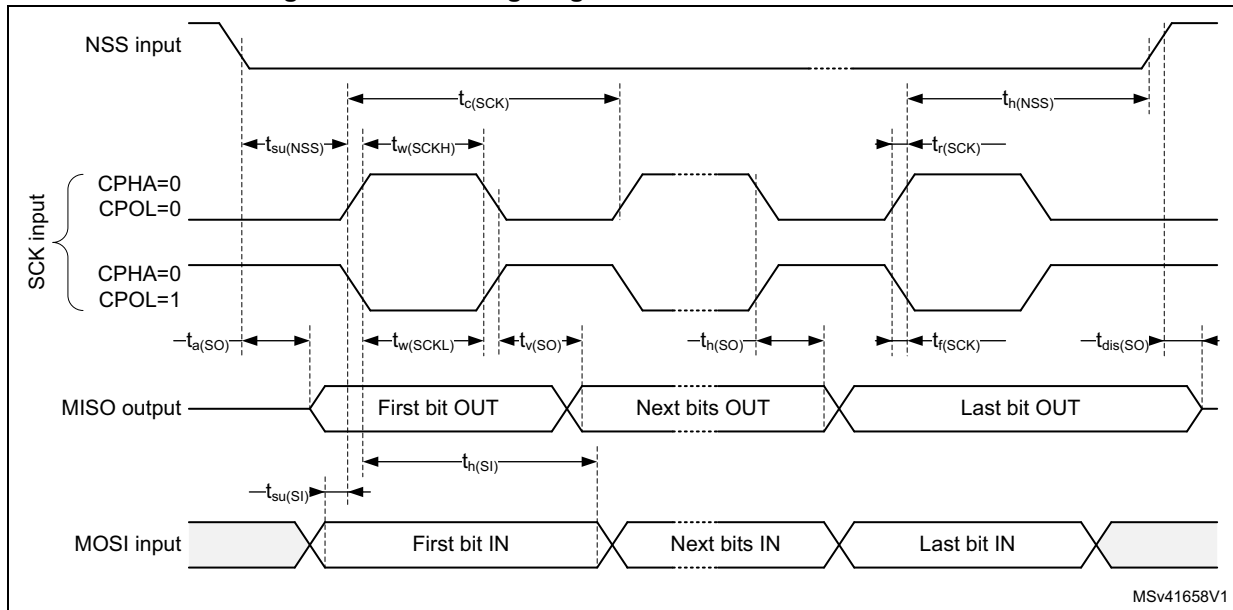
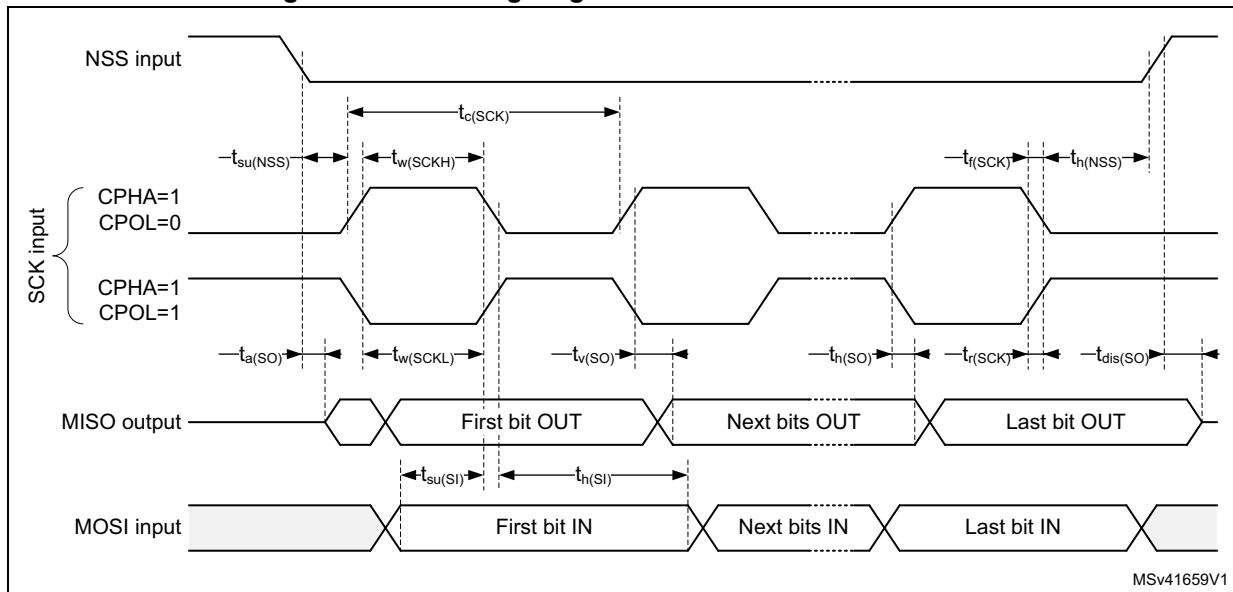
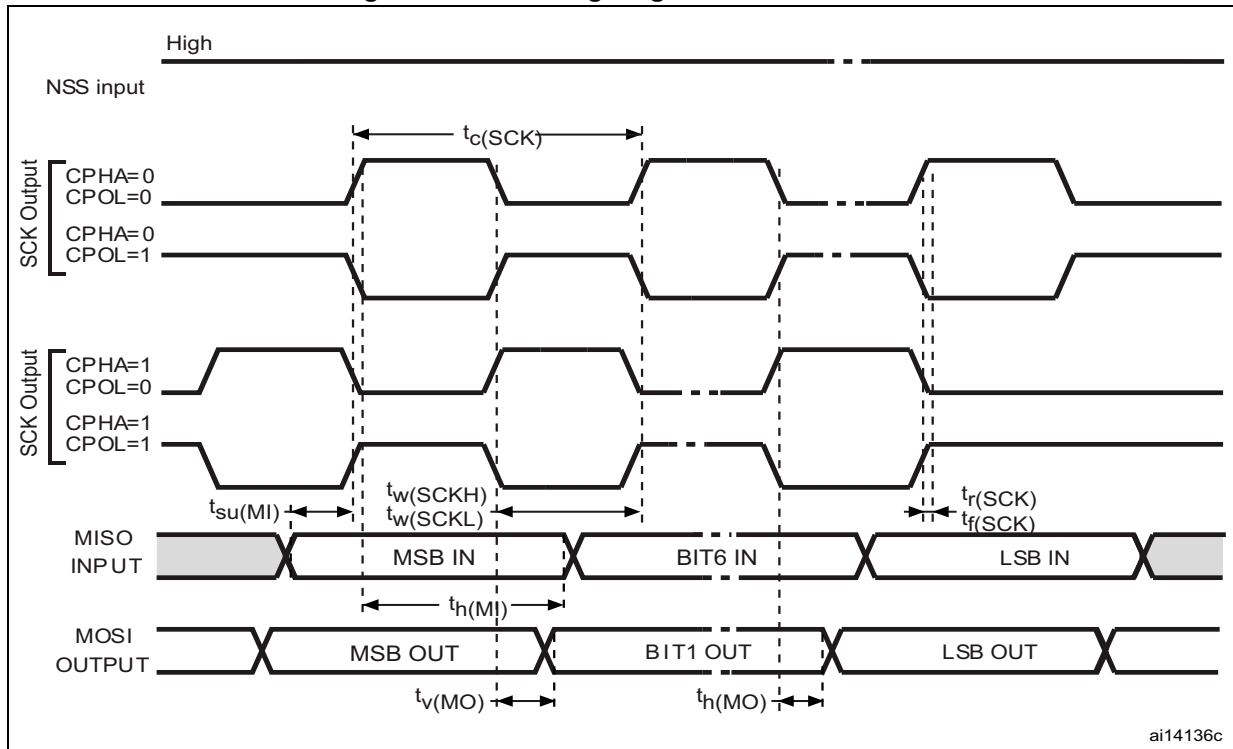


Figure 49. SPI timing diagram - slave mode and CPHA = 1



1. Measurement points are done at CMOS levels: 0.3  $V_{DD}$  and 0.7  $V_{DD}$ .

Figure 50. SPI timing diagram - master mode



1. Measurement points are done at CMOS levels: 0.3  $V_{DD}$  and 0.7  $V_{DD}$ .

### SAI characteristics

Unless otherwise specified, the parameters given in [Table 130](#) for SAI are derived from tests performed under the ambient temperature,  $f_{PCLKx}$  frequency and  $V_{DD}$  supply voltage conditions summarized in [Table 27: General operating conditions](#), with the following configuration:

- Output speed is set to  $OSPEEDRy[1:0] = 10$
- Capacitive load  $C = 30$  pF
- Measurement points are done at CMOS levels:  $0.5V_{DD}$

Refer to [Section 5.3.15: I/O port characteristics](#) for more details on the input/output alternate function characteristics (CK,SD,FS).

Table 130. SAI characteristics<sup>(1)</sup>

| Symbol    | Parameter                          | Conditions   | Min | Max  | Unit |
|-----------|------------------------------------|--|-----|------|------|
| $f_{MCK}$ | SAI Main clock output              | -  | -   | 50   | MHz  |
| $f_{CK}$  | SAI clock frequency <sup>(2)</sup> | Master Transmitter<br>2.7<=VDD<=3.6<br>Voltage ranges 0/1  | -   | 23.5 |      |
|           |                                    | Master Transmitter<br>1.71<=VDD<=3.6<br>Voltage ranges 0/1 | -   | 16   |      |
|           |                                    | Master Receiver<br>Voltage ranges 0/1                      | -   | 16   |      |
|           |                                    | Slave Transmitter<br>2.7<=VDD<=3.6<br>Voltage ranges 0/1   | -   | 26   |      |
|           |                                    | Slave Transmitter<br>1.71<=VDD<=3.6<br>Voltage ranges 0/1  | -   | 20   |      |
|           |                                    | Slave Receiver<br>Voltage ranges 0/1                       | -   | 50   |      |
|           |                                    | Voltage range 2  | -   | 13   |      |



Table 130. SAI characteristics<sup>(1)</sup> (continued)

| Symbol              | Parameter              | Conditions   | Min | Max | Unit |
|---------------------|------------------------|--|-----|-----|------|
| $t_{v(FS)}$         | FS valid time          | Master mode<br>2.7<=VDD<=3.6                             | -   | 21  | ns   |
|                     |                        | Master mode<br>1.71<=VDD<=3.6                            | -   | 25  |      |
| $t_{h(FS)}$         | FS hold time           | Master mode  | 10  | -   |      |
| $t_{su(FS)}$        | FS setup time          | Slave mode   | 1.5 | -   |      |
| $t_{h(FS)}$         | FS hold time           | Slave mode   | 2.5 | -   |      |
| $t_{su(SD\_A\_MR)}$ | Data input setup time  | Master receiver  | 1   | -   |      |
| $t_{su(SD\_B\_SR)}$ |                        | Slave receiver   | 1.5 | -   |      |
| $t_{h(SD\_A\_MR)}$  | Data input hold time   | Master receiver  | 5   | -   |      |
| $t_{h(SD\_B\_SR)}$  |                        | Slave receiver   | 0   | -   |      |
| $t_{v(SD\_B\_ST)}$  | Data output valid time | Slave transmitter (after enable edge)<br>2.7<=VDD<=3.6   | -   | 19  |      |
|                     |                        | Slave transmitter (after enable edge)<br>1.71<=VDD<=3.6  | -   | 25  |      |
| $t_{h(SD\_B\_ST)}$  | Data output hold time  | Slave transmitter (after enable edge)                    | 10  | -   |      |
| $t_{v(SD\_A\_MT)}$  | Data output valid time | Master transmitter (after enable edge)<br>2.7<=VDD<=3.6  | -   | 17  |      |
|                     |                        | Master transmitter (after enable edge)<br>1.71<=VDD<=3.6 | -   | 25  |      |
| $t_{h(SD\_A\_MT)}$  | Data output hold time  | Master transmitter (after enable edge)                   | 9   | -   |      |

1. Guaranteed by characterization results.
2. 2.APB clock frequency must be at least twice SAI clock frequency.

Figure 51. SAI master timing waveforms

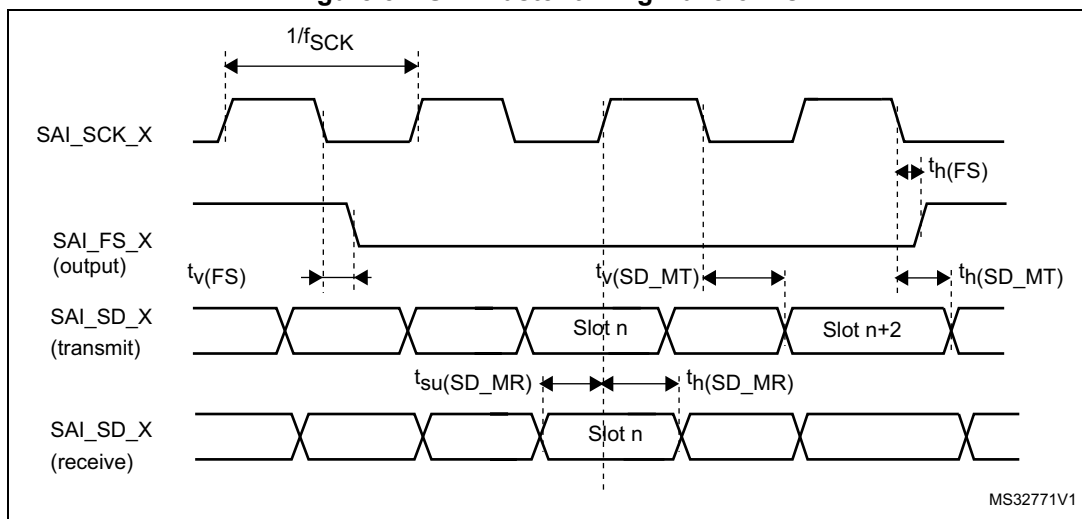
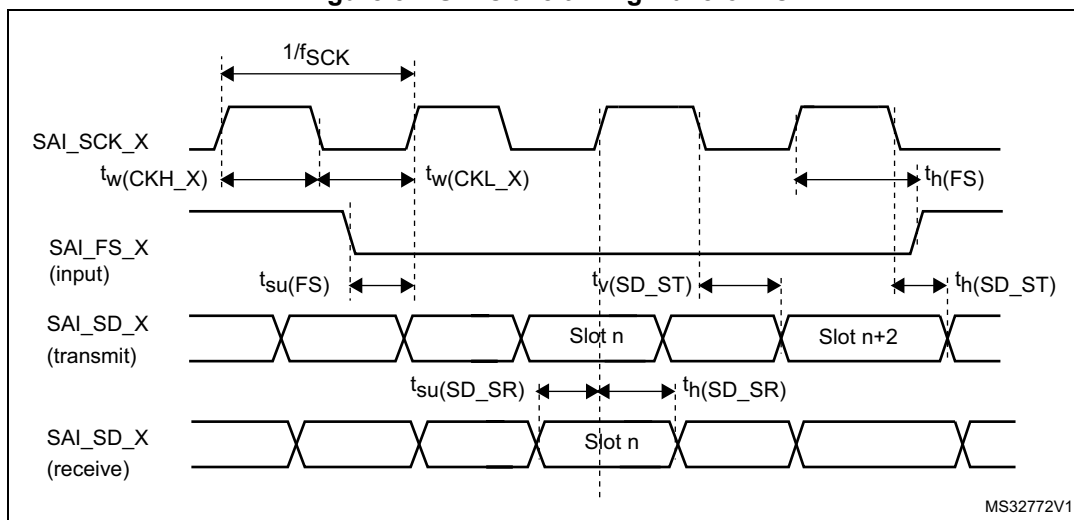


Figure 52. SAI slave timing waveforms



MS32772V1

**CAN (controller area network) interface**

Refer to [Section 5.3.15: I/O port characteristics](#) for more details on the input/output alternate function characteristics (FDCAN\_TX and FDCAN\_RX).

**USART characteristics**

Unless otherwise specified, the parameters given in [Table 131](#) for USART are derived from tests performed under the ambient temperature, f<sub>PCLKx</sub> frequency and VDD supply voltage conditions summarized in [Table 27: General operating conditions](#), with the following configuration:

- Output speed is set to OSPEEDRy[1:0] = 11
- Capacitive load C=30pF
- Measurement points are done at CMOS levels: 0.5VDD

Refer to [Section 5.3.15: I/O port characteristics](#) for more details on the input/output alternate function characteristics (NSS, CK, TX, RX for USART).

Table 131. USART characteristics<sup>(1)</sup>

| Symbol           | Parameter           | Conditions                             | Min | Typ | Max | Unit |
|------------------|---------------------|--|-----|-----|-----|------|
| f <sub>SCK</sub> | SPI clock frequency | Master mode<br>1.71<VDD<3.6            | -   | -   | 13  | MHz  |
|                  |                     | Slave receiver mode<br>1.71<VDD<3.6    | -   | -   | 36  |      |
|                  |                     | Slave mode transmitter<br>2.7<VDD<3.6  | -   | -   | 19  |      |
|                  |                     | Slave mode transmitter<br>1.71<VDD<3.6 | -   | -   | 26  |      |

Table 131. USART characteristics<sup>(1)</sup> (continued)

| Symbol               | Parameter              | Conditions                  | Min        | Typ      | Max        | Unit |
|----------------------|------------------------|-----------------------------|------------|----------|------------|------|
| tsu(NSS)             | NSS setup time         | Slave mode                  | Tker +4    | -        | -          | -    |
| th(NSS)              | NSS hold time          | Slave mode                  | 1          | -        | -          |      |
| tw(SCKH)<br>tw(SCKL) | SCK high and low time  | Master mode                 | 1/fsck/2-1 | 1/fsck/2 | 1/fsck/2+1 | ns   |
| tsu(MI)              | Data input setup time  | Master mode                 | 22.5       | -        | -          |      |
| tsu(SI)              |                        | Slave mode                  | 1          | -        | -          |      |
| th(MI)               | Data input hold time   | Master mode                 | 0          | -        | -          |      |
| th(SI)               |                        | Slave mode                  | 3          | -        | -          |      |
| tv(SO)               | Data output valid time | Slave mode<br>2.7<VDD<3.6V  | -          | 14.5     | 19         |      |
|                      |                        | Slave mode<br>1.71<VDD<3.6V | -          | 14.5     | 26         |      |
| tv(MO)               |                        | Master mode                 | -          | 1.5      | 3          |      |
| th(SO)               | Data output hold time  | Slave mode<br>1.71<VDD<3.6V | 12         | -        | -          |      |
| th(MO)               |                        | Master mode                 | 1          | -        | -          |      |

1. Guaranteed by characterization results, not tested in production.

Figure 53. USART master mode timing diagram

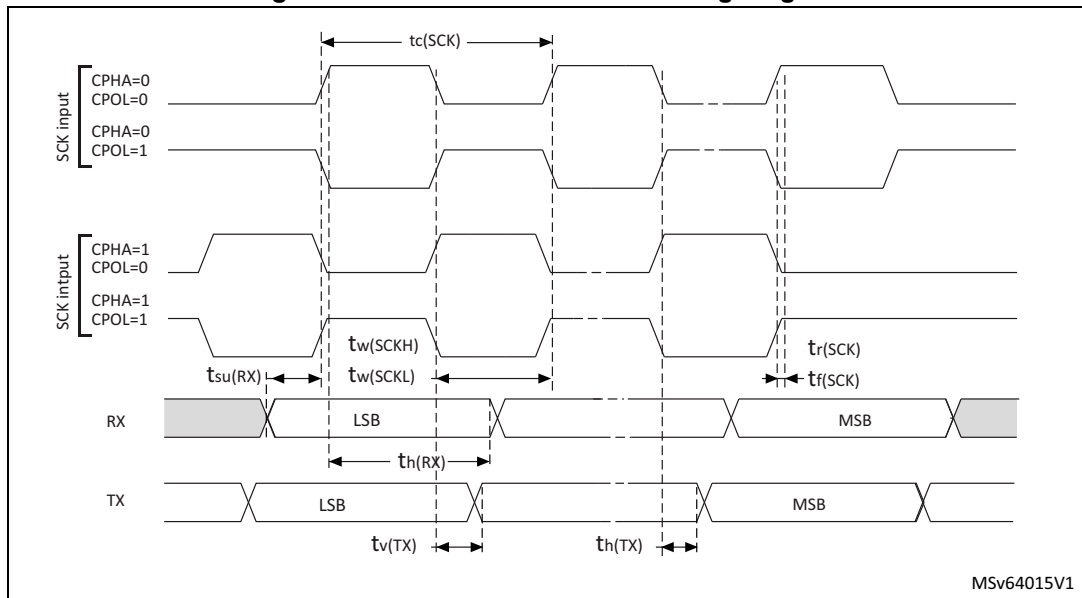
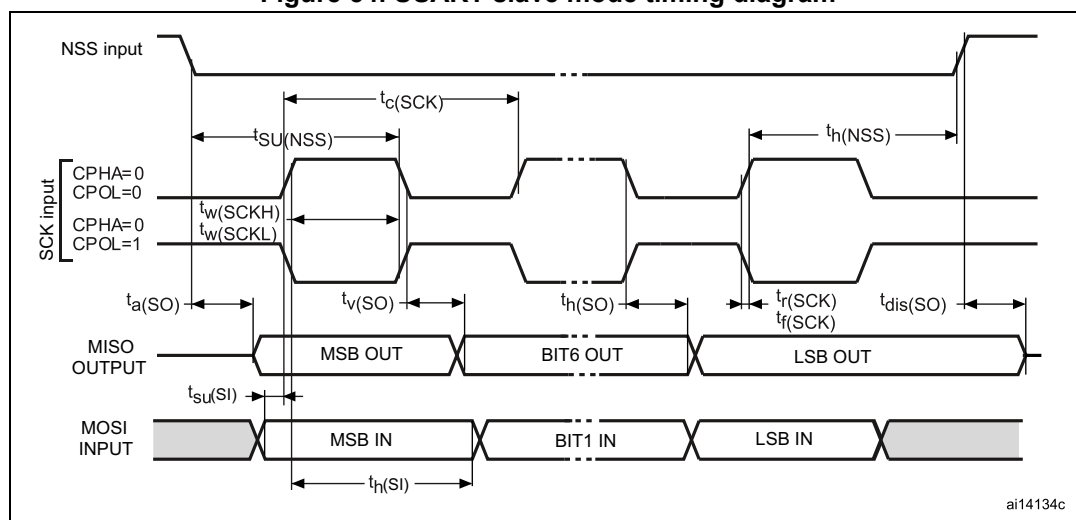


Figure 54. USART slave mode timing diagram



### 5.3.30 FSMC characteristics

Unless otherwise specified, the parameters given in [Table 132](#) to [Table 145](#) for the FMC interface are derived from tests performed under the ambient temperature,  $f_{HCLK}$  frequency and  $V_{DD}$  supply voltage conditions summarized in [Table 27: General operating conditions](#), with the following configuration:

- Output speed is set to  $OSPEEDRy[1:0] = 11$
- Capacitive load  $C = 30$  pF
- Measurement points are done at CMOS levels:  $0.5 \times V_{DD}$

Refer to [Section 5.3.15: I/O port characteristics](#) for more details on the input/output characteristics.

#### Asynchronous waveforms and timings

[Figure 55](#) through [Figure 58](#) represent asynchronous waveforms and [Table 132](#) through [Table 139](#) provide the corresponding timings. The results shown in these tables are obtained with the following FMC configuration:

- AddressSetupTime (ADDSET) = 0x1
- AddressHoldTime (ADDHLD) = 0x1
- DataHoldTime = 0x1
- ByteLaneSetup (NBLSET) = 0x1
- DataSetupTime (DATAST) = 0x1 (except for asynchronous NWAIT mode, DataSetupTime = 0x5)
- DataHoldTime (DATAHLD) = 0x1 (1THCLK for read operations and 2THCLK for write operations)
- BusTurnAroundDuration = 0x0
- Capacitive load CL = 30 pF

In all timing tables, the THCLK is the HCLK clock period.

Figure 55. Asynchronous non-multiplexed SRAM/PSRAM/NOR read waveforms



**Table 132. Asynchronous non-multiplexed SRAM/PSRAM/NOR read timings<sup>(1)</sup>**

| Symbol        | Parameter                             | Min         | Max        | Unit |
|---------------|---------------------------------------|-------------|------------|------|
| tw(NE)        | FMC_NE low time                       | 3THCLK- 0.5 | 3 THCLK+1  | ns   |
| tv(NOE_NE)    | FMC_NEx low to FMC_NOE low            | 0           | 1          |      |
| tw(NOE)       | FMC_NOE low time                      | 2THCLK -0.5 | 2THCLK + 1 |      |
| th(NE_NOE)    | FMC_NOE high to FMC_NE high hold time | THCLK       | -          |      |
| tv(A_NE)      | FMC_NEx low to FMC_A valid            | -           | 1          |      |
| th(A_NOE)     | Address hold time after FMC_NOE high  | 2THCLK-1    | -          |      |
| tsu(Data_NE)  | Data to FMC_NEx high setup time       | THCLK +14   | -          |      |
| tsu(Data_NOE) | Data to FMC_NOEx high setup time      | 14          | -          |      |
| th(Data_NOE)  | Data hold time after FMC_NOE high     | 0           | -          |      |
| th(Data_NE)   | Data hold time after FMC_NEx high     | 0           | -          |      |
| tv(NADV_NE)   | FMC_NEx low to FMC_NADV low           | -           | 0          |      |
| tw(NADV)      | FMC_NADV low time                     | -           | THCLK+1.5  |      |

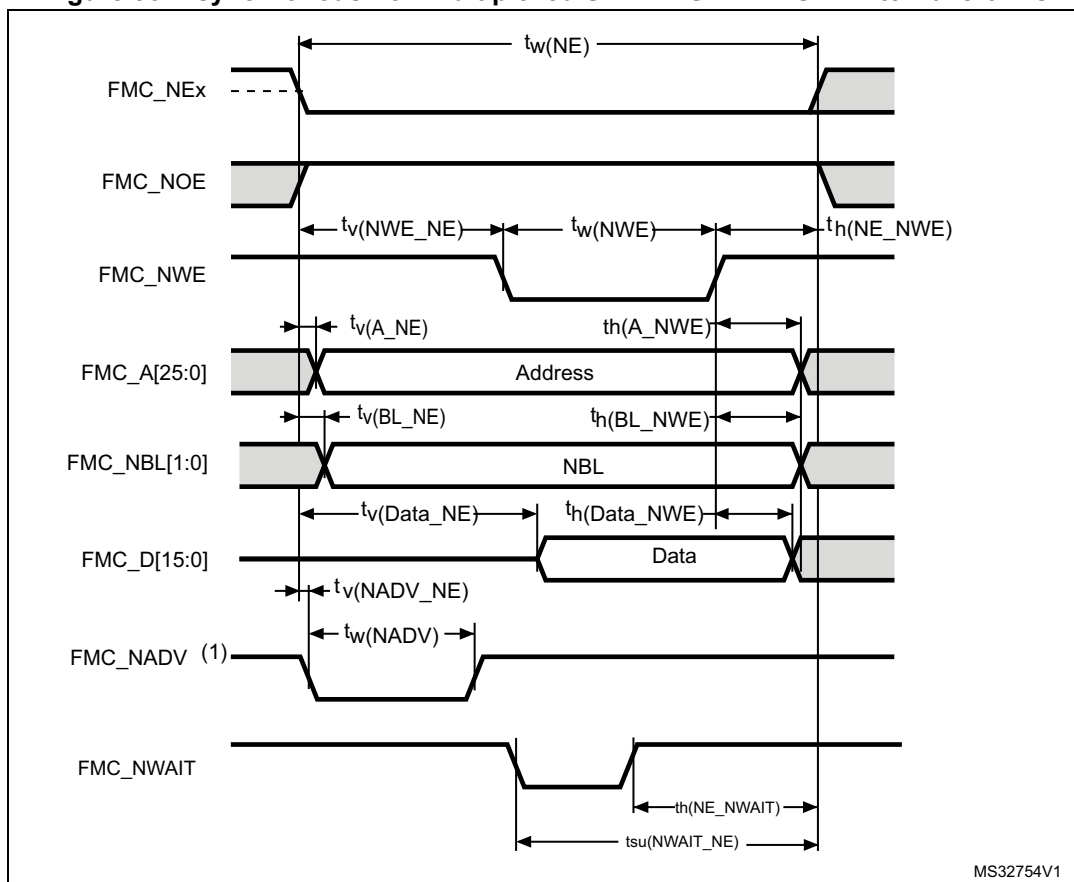
1. Guaranteed by characterization results, not tested in production.

**Table 133. Asynchronous non-multiplexed SRAM/PSRAM/NOR read-NWAIT timings<sup>(1)</sup>**

| Symbol        | Parameter                                 | Min          | Max         | Unit |
|---------------|---|--------------|-------------|------|
| tw(NE)        | FMC_NE low time                           | 8THCLK-0.5   | 8THCLK+1    | ns   |
| tw(NOE)       | FMC_NWE low time                          | 7THCLK -0.5  | 7THCLK +0.5 |      |
| tw(NWAIT)     | FMC_NWAIT low time                        | THCLK        | -           |      |
| tsu(NWAIT_NE) | FMC_NWAIT valid before FMC_NEx high       | 5THCLK +12.5 | -           |      |
| th(NE_NWAIT)  | FMC_NEx hold time after FMC_NWAIT invalid | 4THCLK+12    | -           |      |

1. Guaranteed by characterization results, not tested in production.

Figure 56. Asynchronous non-multiplexed SRAM/PSRAM/NOR write waveforms



MS32754V1

Table 134. Asynchronous non-multiplexed SRAM/PSRAM/NOR write timings<sup>(1)</sup>

| Symbol       | Parameter                             | Min        | Max        | Unit |
|--------------|---------------------------------------|------------|------------|------|
| tw(NE)       | FMC_NE low time                       | 4THCLK-0.5 | 4THCLK+1   | Ns   |
| tv(NWE_NE)   | FMC_NEx low to FMC_NWE low            | THCLK-0.5  | THCLK +1   | -    |
| tw(NWE)      | FMC_NWE low time                      | THCLK-0.5  | THCLK+1    |      |
| th(NE_NWE)   | FMC_NWE high to FMC_NE high hold time | 2THCLK-0.5 | -          |      |
| tv(A_NE)     | FMC_NEx low to FMC_A valid            | -          | 0          |      |
| th(A_NWE)    | Address hold time after FMC_NWE high  | 2THCLK-1   | -          |      |
| tv(BL_NE)    | FMC_NEx low to FMC_BL valid           | -          | THCLK      |      |
| th(BL_NWE)   | FMC_BL hold time after FMC_NWE high   | 2THCLK-0.5 | -          |      |
| tv(Data_NE)  | FMC_NEx low to Data valid             | -          | THCLK+3    |      |
| th(Data_NWE) | Data hold time after FMC_NWE high     | 2THCLK+1   | -          |      |
| tv(NADV_NE)  | FMC_NEx low to FMC_NADV low           | -          | 1          |      |
| tw(NADV)     | FMC_NADV low time                     | -          | THCLK+ 1.5 |      |

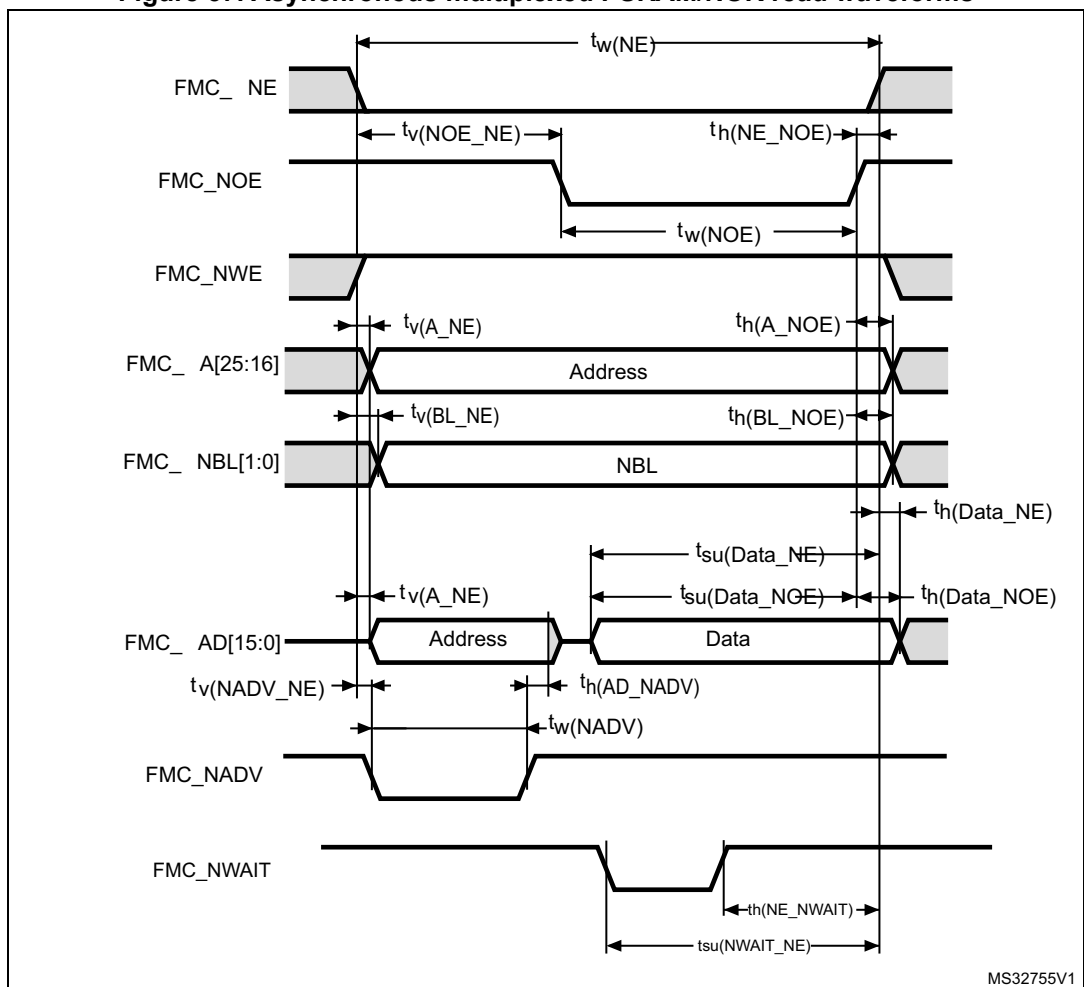
1. Guaranteed by characterization results, not tested in production.

**Table 135. Asynchronous non-multiplexed SRAM/PSRAM/NOR write-NWAIT timings<sup>(1)</sup>**

| Symbol        | Parameter                                 | Min        | Max        | Unit |
|---------------|---|------------|------------|------|
| tw(NE)        | FMC_NE low time                           | 9THCLK-0.5 | 9THCLK+1.5 | ns   |
| tw(NWE)       | FMC_NWE low time                          | 6THCLK-0.5 | 6THCLK+1   |      |
| tsu(NWAIT_NE) | FMC_NWAIT valid before FMC_NEx high       | 7THCLK+13  | -          |      |
| th(NE_NWAIT)  | FMC_NEx hold time after FMC_NWAIT invalid | 5THCLK+13  | -          |      |

1. Guaranteed by characterization results, not tested in production.

**Figure 57. Asynchronous multiplexed PSRAM/NOR read waveforms**



MS32755V1



**Table 136. Asynchronous multiplexed PSRAM/NOR read timings<sup>(1)</sup>**

| Symbol        | Parameter  | Min                                      | Max       | Unit |
|---------------|--|--|-----------|------|
| tw(NE)        | FMC_NE low time                                      | 4THCLK-0.5                               | 4THCLK+1  | Ns   |
| tv(NOE_NE)    | FMC_NEx low to FMC_NOE low                           | 2THCLK -0.5                              | 2THCLK+1  |      |
| tw(NOE)       | FMC_NOE low time                                     | THCLK-0.5                                | THCLK+0.5 |      |
| th(NE_NOE)    | FMC_NOE high to FMC_NE high hold time                | THCLK-1                                  | -         |      |
| tv(A_NE)      | FMC_NEx low to FMC_A valid                           | -  | 3         |      |
| tv(NADV_NE)   | FMC_NEx low to FMC_NADV low                          | 0.5                                      | 1.5       |      |
| tw(NADV)      | FMC_NADV low time                                    | THCLK                                    | THCLK+1.5 |      |
| th(AD_NADV)   | FMC_AD(address) valid hold time after FMC_NADV high) | THCLK-3                                  | -         |      |
| th(A_NOE)     | Address hold time after FMC_NOE high                 | Address holded until next read operation | -         |      |
| tsu(Data_NE)  | Data to FMC_NEx high setup time                      | THCLK+14                                 | -         |      |
| tsu(Data_NOE) | Data to FMC_NOE high setup time                      | 14                                       | -         |      |
| th(Data_NE)   | Data hold time after FMC_NEx high                    | 0  | -         |      |
| th(Data_NOE)  | Data hold time after FMC_NOE high                    | 0  | -         |      |

1. Guaranteed by characterization results, not tested in production.

**Table 137. Asynchronous multiplexed PSRAM/NOR read-NWAIT timings<sup>(1)</sup>**

| Symbol        | Parameter                                 | Min         | Max       | Unit |
|---------------|---|-------------|-----------|------|
| tw(NE)        | FMC_NE low time                           | 8THCLK-0.5  | 9THCLK+1  | Ns   |
| tw(NOE)       | FMC_NOE low time                          | 5THCLK -0.5 | 6THCLK +1 |      |
| tsu(NWAIT_NE) | FMC_NWAIT valid before FMC_NEx high       | 5THCLK+12   | -         |      |
| th(NE_NWAIT)  | FMC_NEx hold time after FMC_NWAIT invalid | 4THCLK+11   | -         |      |

1. Guaranteed by characterization results, not tested in production.

Figure 58. Asynchronous multiplexed PSRAM/NOR write waveforms



**Table 138. Asynchronous multiplexed PSRAM/NOR write timings<sup>(1)</sup>**

| Symbol        | Parameter  | Min                                       | Max        | Unit |
|---------------|--|---|------------|------|
| tw(NE)        | FMC_NE low time                                      | 5THCLK-0.5                                | 5THCLK+1   | ns   |
| tv(NWE_NE)    | FMC_NEx low to FMC_NWE low                           | THCLK- 0.5                                | THCLK+ 1   |      |
| tw(NWE)       | FMC_NWE low time                                     | 2THCLK-0.5                                | 2THCLK+0.5 |      |
| th(NE_NWE)    | FMC_NWE high to FMC_NE high hold time                | 2THCLK-0.5                                | -          |      |
| tv(A_NE)      | FMC_NEx low to FMC_A valid                           | -   | 3          |      |
| tv(NADV_NE)   | FMC_NEx low to FMC_NADV low                          | 0   | 1          |      |
| tw(NADV)      | FMC_NADV low time                                    | THCLK+0.5                                 | THCLK+1.5  |      |
| th(AD_NADV)   | FMC_AD(address) valid hold time after FMC_NADV high) | THCLK-3                                   | -          |      |
| th(A_NWE)     | Address hold time after FMC_NWE high                 | Address holded until next write operation | -          |      |
| th(BL_NWE)    | FMC_BL hold time after FMC_NWE high                  | 2THCLK-0.5                                | -          |      |
| tv(BL_NE)     | FMC_NEx low to FMC_BL valid                          | -   | THCLK      |      |
| tv(Data_NADV) | FMC_NADV high to Data valid                          | -   | THCLK+2    |      |
| th(Data_NWE)  | Data hold time after FMC_NWE high                    | 2THCLK+0.5                                | -          |      |

1. Guaranteed by characterization results, not tested in production.

**Table 139. Asynchronous multiplexed PSRAM/NOR write-NWAIT timings<sup>(1)</sup>**

| Symbol        | Parameter                                 | Min         | Max        | Unit |
|---------------|---|-------------|------------|------|
| tw(NE)        | FMC_NE low time                           | 10THCLK-0.5 | 10THCLK+1  | ns   |
| tw(NWE)       | FMC_NWE low time                          | 7THCLK-0.5  | 7THCLK+0.5 |      |
| tsu(NWAIT_NE) | FMC_NWAIT valid before FMC_NEx high       | 7THCLK+11.5 | -          |      |
| th(NE_NWAIT)  | FMC_NEx hold time after FMC_NWAIT invalid | 5THCLK+12.5 | -          |      |

1. Guaranteed by characterization results, not tested in production.

**Synchronous waveforms and timings**

Figure 59 through Figure 62 represent synchronous waveforms and Table 140 through Table 143 provide the corresponding timings. The results shown in these tables are obtained with the following FMC configuration:

- BurstAccessMode = FMC\_BurstAccessMode\_Enable
- MemoryType = FMC\_MemoryType\_CRAM
- WriteBurst = FMC\_WriteBurst\_Enable
- CLKDivision = 1
- DataLatency = 1 for NOR Flash; DataLatency = 0 for PSRAM



In all timing tables, the  $T_{HCLK}$  is the HCLK clock period.

- Maximum FMC\_CLK = 55MHz for CLKDIV=0x1 and 42MHz CLKDIV=0x0 for  $2.7V < VDD < 3.6V$
- Maximum FMC\_CLK = 55MHz for CLKDIV=0x1 and 26MHz CLKDIV=0x0 for  $1.71V < VDD < 1.9V$  with  $CL=20pF$

**Figure 59. Synchronous multiplexed NOR/PSRAM read timings**

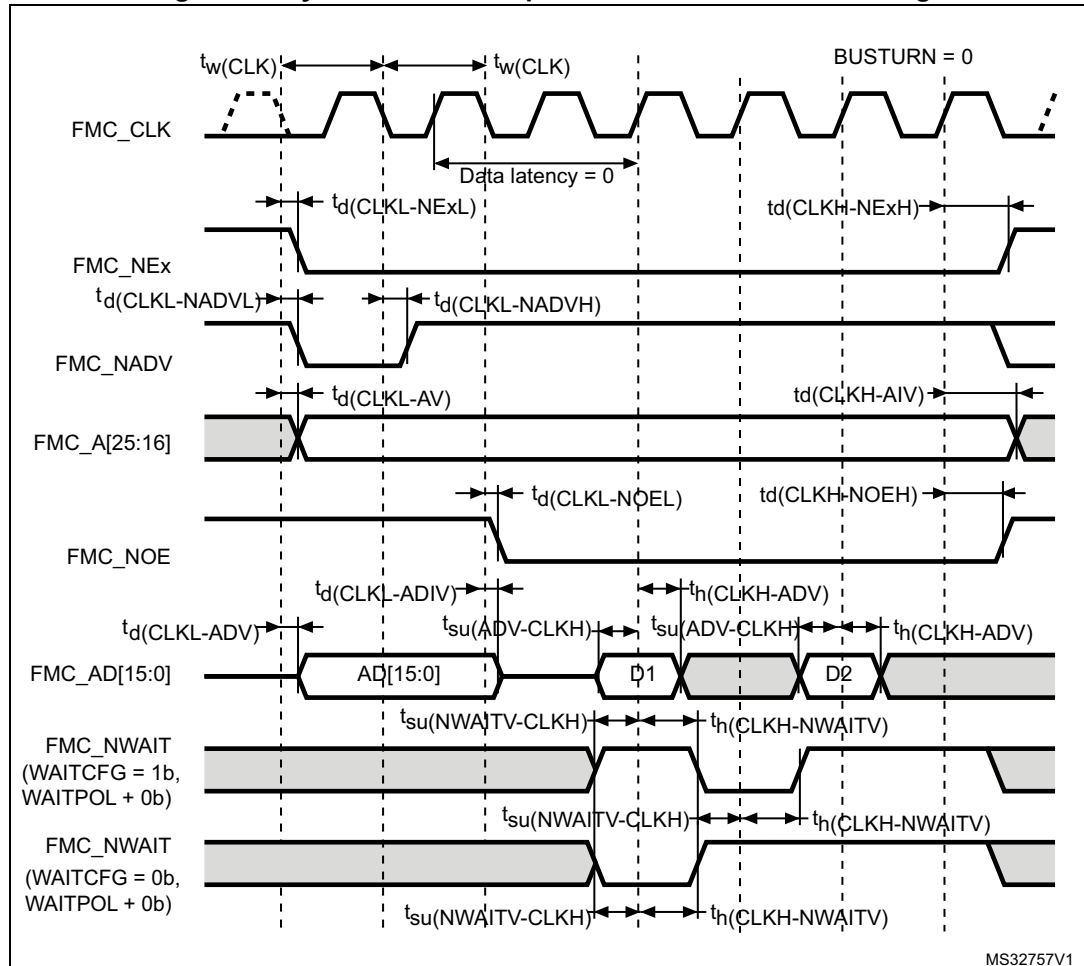


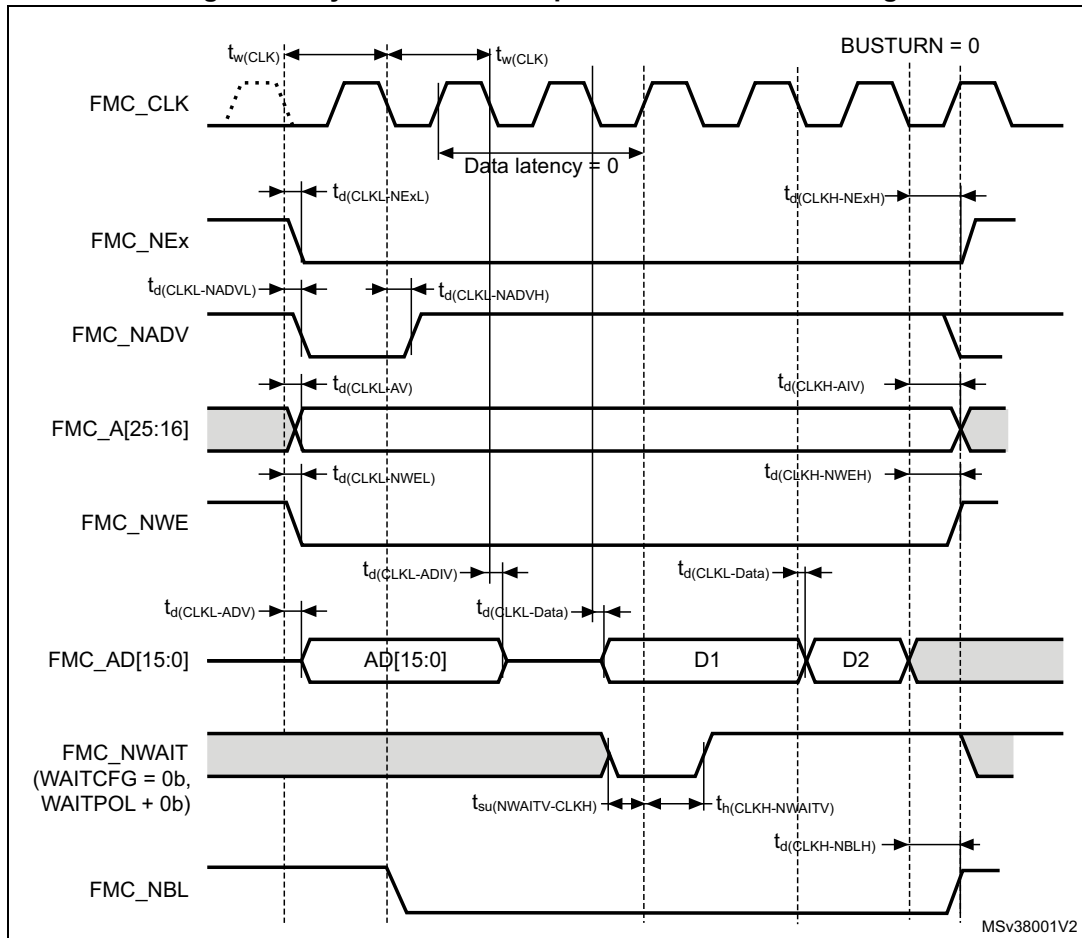
Table 140. Synchronous multiplexed NOR/PSRAM read timings<sup>(1)(2)</sup>

| Symbol          | Parameter                                    | Min                           | Max | Unit |
|-----------------|--|-------------------------------|-----|------|
| tw(CLK)         | FMC_CLK period                               | $R \cdot THCLK - 0.5^{(2)}$   | -   | ns   |
| td(CLKL-NExL)   | FMC_CLK low to FMC_NEx low (x=0..2)          | -                             | 2.5 |      |
| td(CLKH_NExH)   | FMC_CLK high to FMC_NEx high (x= 0...2)      | $R \cdot THCLK / 2 + 1^{(2)}$ | -   |      |
| td(CLKL-NADVl)  | FMC_CLK low to FMC_NADV low                  | -                             | 2.5 |      |
| td(CLKL-NADVh)  | FMC_CLK low to FMC_NADV high                 | 2                             | -   |      |
| td(CLKL-AV)     | FMC_CLK low to FMC_Ax valid (x=16...25)      | -                             | 5.5 |      |
| td(CLKH-AIV)    | FMC_CLK high to FMC_Ax invalid (x=16...25)   | $R \cdot THCLK / 2 + 1^{(2)}$ | -   |      |
| td(CLKL-NOEL)   | FMC_CLK low to FMC_NOE low                   | -                             | 2   |      |
| td(CLKH-NOEH)   | FMC_CLK high to FMC_NOE high                 | $R \cdot THCLK / 2 + 1^{(2)}$ | -   |      |
| td(CLKL-ADV)    | FMC_CLK low to FMC_AD[15:0] valid            | -                             | 3   |      |
| td(CLKL-ADIV)   | FMC_CLK low to FMC_AD[15:0] invalid          | 0                             | -   |      |
| tsu(ADV-CLKH)   | FMC_A/D[15:0] valid data before FMC_CLK high | 2                             | -   |      |
| th(CLKH-ADV)    | FMC_A/D[15:0] valid data after FMC_CLK high  | 4                             | -   |      |
| tsu(NWAIT-CLKH) | FMC_NWAIT valid before FMC_CLK high          | 1.5                           | -   |      |
| th(CLKH-NWAIT)  | FMC_NWAIT valid after FMC_CLK high           | 4                             | -   |      |

1. Guaranteed by characterization results, not tested in production.

2. Clock ratio  $R = (HCLK \text{ period} / FMC\_CLK \text{ period})$ .

Figure 60. Synchronous multiplexed PSRAM write timings



**Table 141. Synchronous multiplexed PSRAM write timings<sup>(1)(2)</sup>**

| Symbol          | Parameter                                  | Min                                | Max  | Unit |
|-----------------|--|------------------------------------|------|------|
| tw(CLK)         | FMC_CLK period, VDD range= 2.7 to 3.6 V    | $R \cdot TH_{CLK} - 0.5^{(2)}$     | -    | ns   |
| td(CLKL-NExL)   | FMC_CLK low to FMC_NEx low (x=0..2)        | -                                  | 2.5  |      |
| td(CLKH-NExH)   | FMC_CLK high to FMC_NEx high (x= 0...2)    | $R \cdot TH_{CLK} / 2 + 1^{(2)}$   | -    |      |
| td(CLKL-NADVl)  | FMC_CLK low to FMC_NADV low                | -                                  | 2.5  |      |
| td(CLKL-NADVh)  | FMC_CLK low to FMC_NADV high               | 2                                  | -    |      |
| td(CLKL-AV)     | FMC_CLK low to FMC_Ax valid (x=16...25)    | -                                  | 5.75 |      |
| td(CLKH-AIV)    | FMC_CLK high to FMC_Ax invalid (x=16...25) | $R \cdot TH_{CLK} / 2 + 1^{(2)}$   | -    |      |
| td(CLKL-NWEL)   | FMC_CLK low to FMC_NWE low                 | -                                  | 2    |      |
| td(CLKH-NWEH)   | FMC_CLK high to FMC_NWE high               | $R \cdot TH_{CLK} / 2 + 1^{(2)}$   | -    |      |
| td(CLKL-ADV)    | FMC_CLK low to FMC_AD[15:0] valid          | -                                  | 3    |      |
| td(CLKL-ADIV)   | FMC_CLK low to FMC_AD[15:0] invalid        | 0                                  | -    |      |
| td(CLKL-DATA)   | FMC_A/D[15:0] valid data after FMC_CLK low | -                                  | 3.5  |      |
| td(CLKL-NBLL)   | FMC_CLK low to FMC_NBL low                 | 1                                  | -    |      |
| td(CLKH-NBLH)   | FMC_CLK high to FMC_NBL high               | $R \cdot TH_{CLK} / 2 + 1.5^{(2)}$ | -    |      |
| tsu(NWAIT-CLKH) | FMC_NWAIT valid before FMC_CLK high        | 1.5                                | -    |      |
| th(CLKH-NWAIT)  | FMC_NWAIT valid after FMC_CLK high         | 4                                  | -    |      |

1. Guaranteed by characterization results, not tested in production.
2. Clock ratio R = (HCLK period / FMC\_CLK period).

Figure 61. Synchronous non-multiplexed NOR/PSRAM read timings





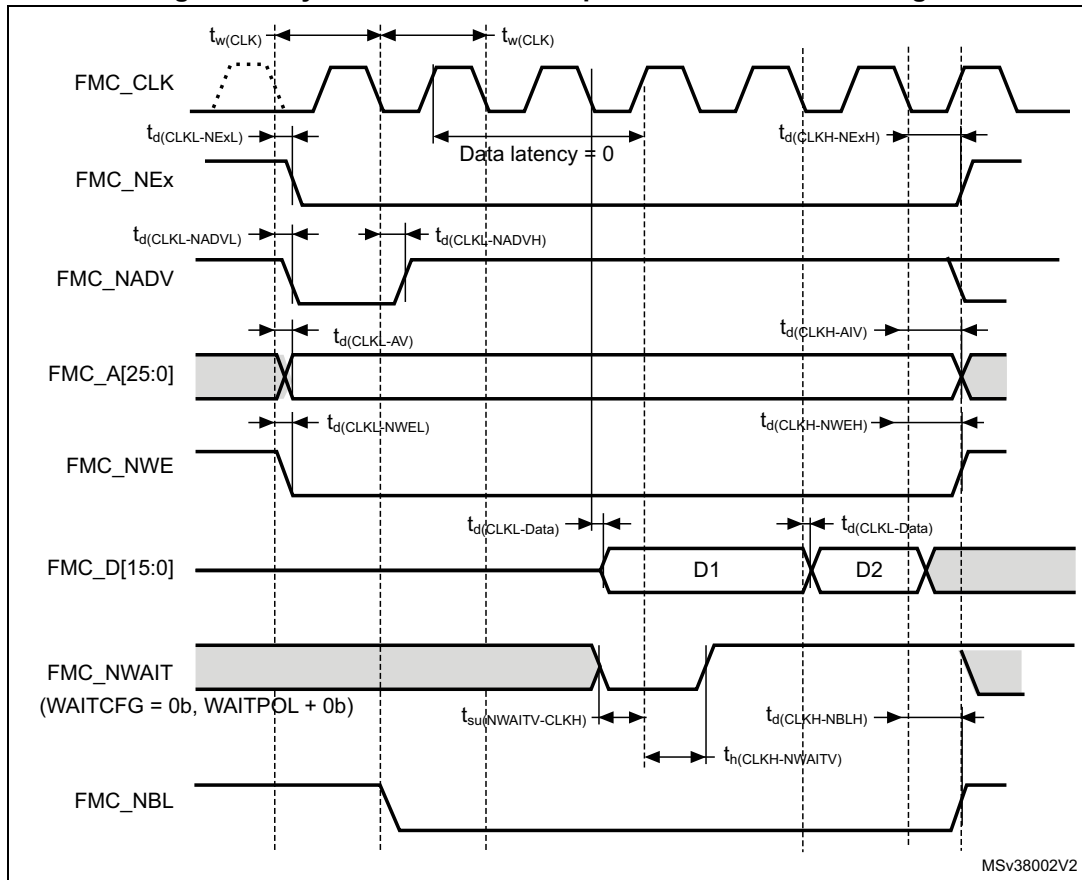
**Table 142. Synchronous non-multiplexed NOR/PSRAM read timings<sup>(1)(2)</sup>**

| Symbol          | Parameter                                  | Min                             | Max | Unit |
|-----------------|--|---------------------------------|-----|------|
| tw(CLK)         | FMC_CLK period                             | $R \cdot THCLK - 0.5^{(2)}$     | -   | ns   |
| td(CLKL-NExL)   | FMC_CLK low to FMC_NEx low (x=0..2)        | -                               | 2.5 |      |
| td(CLKH-NExH)   | FMC_CLK high to FMC_NEx high (x= 0..2)     | $R \cdot THCLK / 2 + 1^{(2)}$   | -   |      |
| td(CLKL-NADVl)  | FMC_CLK low to FMC_NADV low                | -                               | 2.5 |      |
| td(CLKL-NADVh)  | FMC_CLK low to FMC_NADV high               | 2                               | -   |      |
| td(CLKL-AV)     | FMC_CLK low to FMC_Ax valid (x=0..25)      | -                               | 5.5 |      |
| td(CLKH-AIV)    | FMC_CLK high to FMC_Ax invalid (x=0..25)   | $R \cdot THCLK / 2 + 0.5^{(2)}$ | -   |      |
| td(CLKL-NOEL)   | FMC_CLK low to FMC_NOE low                 | -                               | 2   |      |
| td(CLKH-NOEH)   | FMC_CLK high to FMC_NOE high               | $R \cdot THCLK / 2 + 1^{(2)}$   | -   |      |
| tsu(DV-CLKH)    | FMC_D[15:0] valid data before FMC_CLK high | 2                               | -   |      |
| th(CLKH-DV)     | FMC_D[15:0] valid data after FMC_CLK high  | 4                               | -   |      |
| tsu(NWAIT-CLKH) | FMC_NWAIT valid before FMC_CLK high        | 1.5                             | -   |      |
| th(CLKH-NWAIT)  | FMC_NWAIT valid after FMC_CLK high         | 4                               | -   |      |

1. Guaranteed by characterization results, not tested in production.

2. Clock ratio R = (HCLK period / FMC\_CLK period).

Figure 62. Synchronous non-multiplexed PSRAM write timings



**Table 143. Synchronous non-multiplexed PSRAM write timings<sup>(1)(2)</sup>**

| Symbol          | Parameter                                | Min                             | Max | Unit |
|-----------------|--|---------------------------------|-----|------|
| tw(CLK)         | FMC_CLK period                           | $R \cdot THCLK - 0.5^{(2)}$     | -   | ns   |
| td(CLK-L-NExL)  | FMC_CLK low to FMC_NEx low (x=0..2)      | -                               | 2.5 |      |
| td(CLK-H-NExH)  | FMC_CLK high to FMC_NEx high (x=0..2)    | $R \cdot THCLK / 2 + 1^{(2)}$   | -   |      |
| td(CLK-L-NADV)  | FMC_CLK low to FMC_NADV low              | -                               | 2.5 |      |
| td(CLK-L-NADVH) | FMC_CLK low to FMC_NADV high             | 2                               | -   |      |
| td(CLK-L-AV)    | FMC_CLK low to FMC_Ax valid (x=0..25)    | -                               | 5.5 |      |
| td(CLK-H-AIV)   | FMC_CLK high to FMC_Ax invalid (x=0..25) | $R \cdot THCLK / 2 + 0.5^{(2)}$ | -   |      |
| td(CLK-L-NWEL)  | FMC_CLK low to FMC_NWE low               | -                               | 2   |      |
| td(CLK-H-NWEH)  | FMC_CLK high to FMC_NWE high             | $R \cdot THCLK / 2 + 1^{(2)}$   | -   |      |
| td(CLK-L-Data)  | FMC_D[15:0] valid data after FMC_CLK low | -                               | 3.5 |      |
| td(CLK-L-NBLL)  | FMC_CLK low to FMC_NBL low               | 1                               | -   |      |
| td(CLK-H-NBLH)  | FMC_CLK high to FMC_NBL high             | $R \cdot THCLK / 2 + 1.5^{(2)}$ | -   |      |
| tsu(NWAIT-CLKH) | FMC_NWAIT valid before FMC_CLK high      | 1.5                             | -   |      |
| th(CLK-H-NWAIT) | FMC_NWAIT valid after FMC_CLK high       | 4                               | -   |      |

1. Guaranteed by characterization results, not tested in production.

2. Clock ratio R = (HCLK period / FMC\_CLK period).

**NAND controller waveforms and timings**

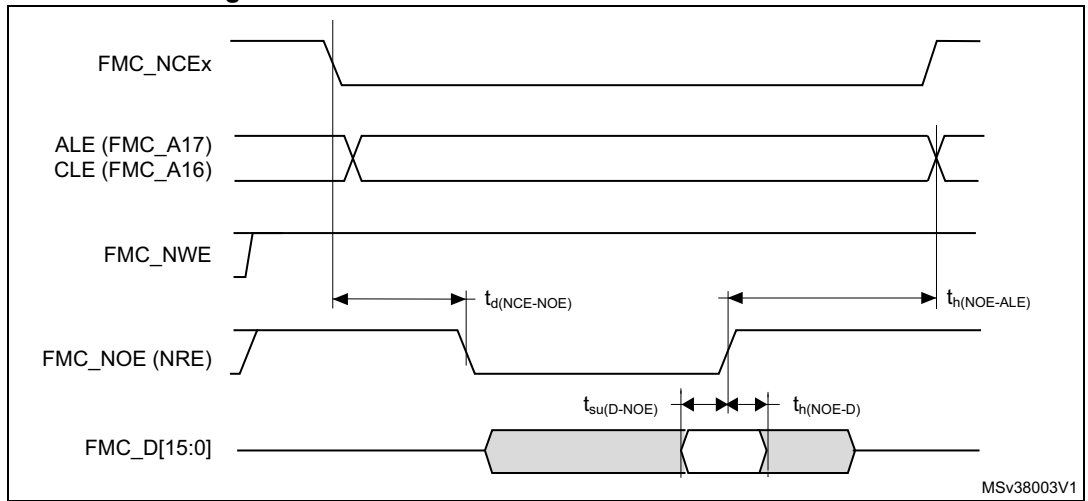
Figure 63 through Figure 66 represent synchronous waveforms, and Table 144 and Table 145 provide the corresponding timings. The results shown in these tables are obtained with the following FMC configuration:

- COM.FMC\_SetupTime = 0x01
- COM.FMC\_WaitSetupTime = 0x03
- COM.FMC\_HoldSetupTime = 0x02
- COM.FMC\_HiZSetupTime = 0x01
- ATT.FMC\_SetupTime = 0x01
- ATT.FMC\_WaitSetupTime = 0x03
- ATT.FMC\_HoldSetupTime = 0x02
- ATT.FMC\_HiZSetupTime = 0x01
- Bank = FMC\_Bank\_NAND
- MemoryDataWidth = FMC\_MemoryDataWidth\_16b
- ECC = FMC\_ECC\_Enable
- ECCPageSize = FMC\_ECCPageSize\_512Bytes
- TCLRSetupTime = 0
- TARSetupTime = 0



In all timing tables, the  $T_{HCLK}$  is the HCLK clock period.

**Figure 63. NAND controller waveforms for read access**



**Figure 64. NAND controller waveforms for write access**

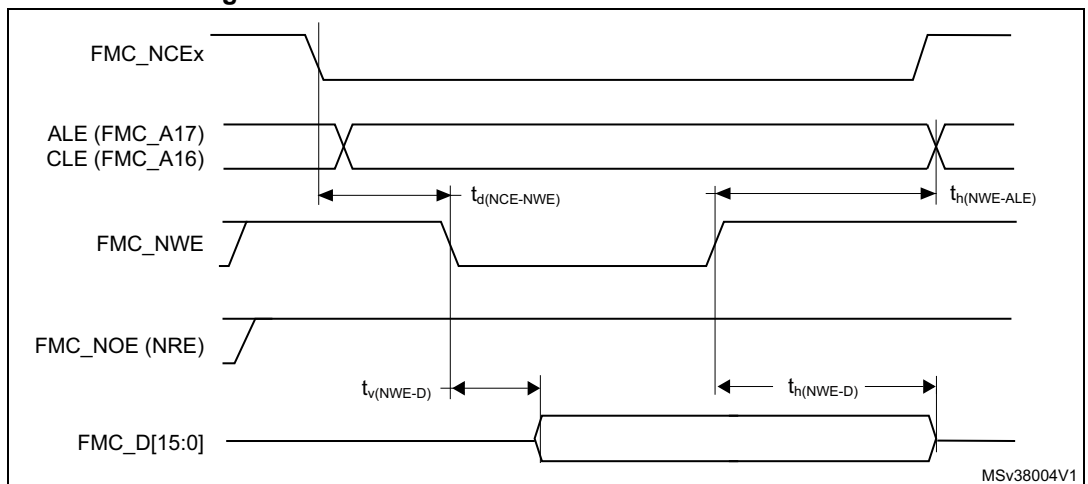


Figure 65. NAND controller waveforms for common memory read access

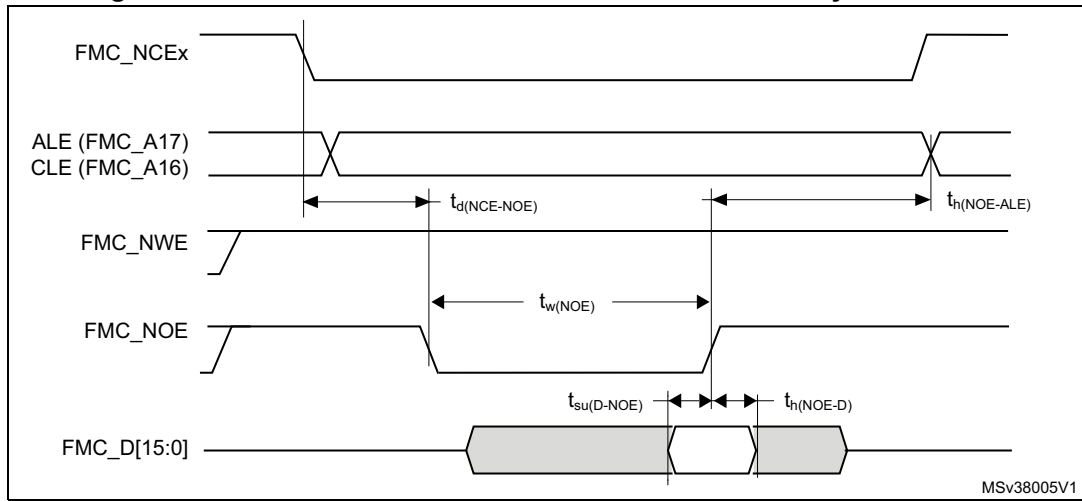


Figure 66. NAND controller waveforms for common memory write access

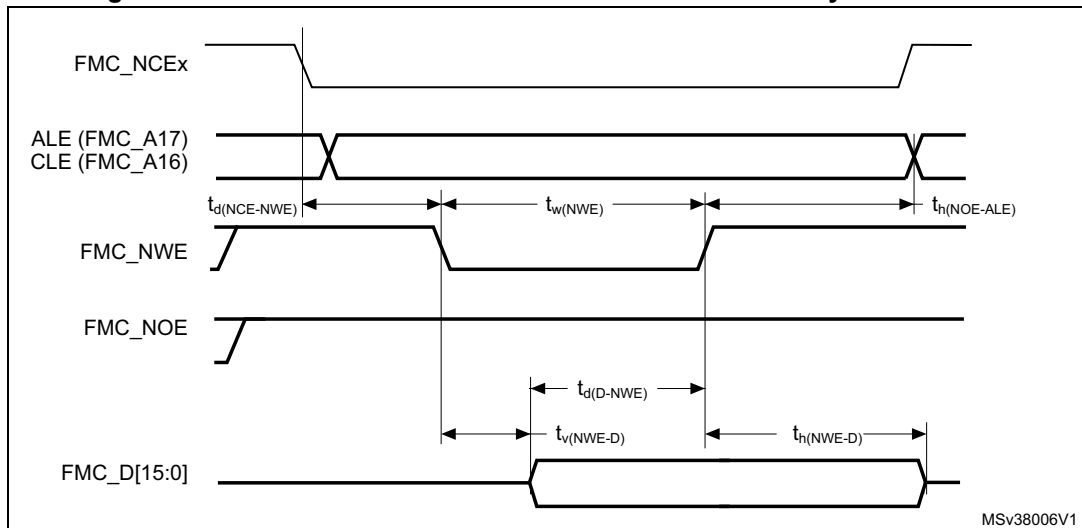


Table 144. Switching characteristics for NAND Flash read cycles<sup>(1)</sup>

| Symbol          | Parameter                                  | Min            | Max            | Unit |
|-----------------|--|----------------|----------------|------|
| $T_w(NOE)$      | FMC_NOE low width                          | $4THCLK - 0.5$ | $4THCLK + 0.5$ | ns   |
| $T_{su}(D-NOE)$ | FMC_D[15-0] valid data before FMC_NOE high | 14             | -              |      |
| $T_h(NOE-D)$    | FMC_D[15-0] valid data after FMC_NOE high  | 0              | -              |      |
| $T_d(ALE-NOE)$  | FMC_ALE valid before FMC_NOE low           | -              | $3THCLK - 1$   |      |
| $T_h(NOE-ALE)$  | FMC_NWE high to FMC_ALE invalid            | $3THCLK - 0.5$ | -              |      |

1. Guaranteed by characterization results, not tested in production.

Table 145. Switching characteristics for NAND Flash write cycles<sup>(1)</sup>

| Symbol                   | Parameter                             | Min          | Max        | Unit |
|--------------------------|---------------------------------------|--------------|------------|------|
| T <sub>w</sub> (NWE)     | FMC_NWE low width                     | 4THCLK - 0.5 | 4THCLK+0.5 | ns   |
| T <sub>v</sub> (NWE-D)   | FMC_NWE low to FMC_D[15-0] valid      | 0            | -          |      |
| T <sub>h</sub> (NWE-D)   | FMC_NWE high to FMC_D[15-0] invalid   | 2THCLK       | -          |      |
| T <sub>d</sub> (D-NWE)   | FMC_D[15-0] valid before FMC_NWE high | 5THCLK - 1   | -          |      |
| T <sub>d</sub> (ALE_NWE) | FMC_ALE valid before FMC_NWE low      | -            | 3THCLK-1   |      |
| T <sub>h</sub> (NWE-ALE) | FMC_NWE high to FMC_ALE invalid       | 3THCLK-0.5   | -          |      |

1. Guaranteed by characterization results, not tested in production.

### 5.3.31 OCTOSPI characteristics

Unless otherwise specified, the parameters given in [Table 146](#), [Table 147](#) and [Table 148](#) for OCTOSPI are derived from tests performed under the ambient temperature,  $f_{AHB}$  frequency and  $V_{DD}$  supply voltage conditions summarized in [Table 27: General operating conditions](#), with the following configuration:

- Output speed is set to OSPEEDRy[1:0] = 11
- For DTR(with DQS)/HyperBus the delay resister is set to DLYCFGR[3:0]=4

Refer to [Section 5.3.15: I/O port characteristics](#) for more details on the input/output alternate function characteristics.

The following table summarizes the parameters measured in SDR mode.

**Table 146. OCTOSPI<sup>(1)</sup> characteristics in SDR mode<sup>(2)</sup>**

| Symbol  | Parameter                                       | Conditions   | Min                          | Typ | Max                     | Unit |
|---------|---|--|------------------------------|-----|-------------------------|------|
| F(CLK)  | OCTOSPI clock frequency                         | 1.71<V <sub>DD</sub> <3.6<br>Voltage ranges 0/1<br>20 pF | -                            | -   | 54                      | MHz  |
|         |   | 2.7<V <sub>DD</sub> <3.6<br>Voltage ranges 0/1<br>20pF   | -                            | -   | 90                      |      |
|         |   | 1.71<V <sub>DD</sub> <3.6<br>Voltage ranges 0/1<br>15pF  | -                            | -   | 56                      |      |
|         |   | 1.71<V <sub>DD</sub> <3.6<br>Voltage range 2<br>CL=20pF  | -                            | -   | 26                      |      |
| tw(CKH) | OCTOSPI clock high and low time                 | PRESCALER[7:0] =<br>n = 0,1,3,5                          | t(CK)/2 - 0.5                | -   | t(CK)/2                 | ns   |
| tw(CKL) |   |  | t(CK)/2 - 0.5                | -   | t(CK)/2                 |      |
| tw(CKH) | OCTOSPI clock high and low time<br>Odd division | PRESCALER[7:0] =<br>n = 2,4,6,8                          | (n/2)*t(CK)/<br>(n+1)- 0.5   | -   | (n/2)*t(CK)/<br>(n+1)   |      |
| tw(CKL) |   |  | (n/2+1)*t(CK)/<br>(n+1) -0.5 | -   | (n/2+1)*<br>t(CK)/(n+1) |      |
| ts(IN)  | Data input setup time                           | Voltage ranges 0/1                                       | 1.5                          | -   | -                       |      |
|         |   | Voltage range 2  | 2                            | -   | -                       |      |
| th(IN)  | Data input hold time                            | Voltage ranges 0/1                                       | 4                            | -   | -                       |      |
|         |   | Voltage range 2  | 5.25                         | -   | -                       |      |
| tv(OUT) | Data output valid time                          | Voltage ranges 0/1                                       | -                            | 0.5 | 2                       |      |
|         |   | Voltage range 2  | -                            | 0.5 | 1.5                     |      |
| th(OUT) | Data output hold time                           | Voltage ranges 0/1                                       | -0.5                         | -   | -                       |      |
|         |   | Voltage range 2  | -0.75                        | -   | -                       |      |

1. Values in the table applies to octal and quad SPI mode.
2. Guaranteed by characterization results.

The following table summarizes the parameters measured in DTR mode (no DQS).

**Table 147. OCTOSPI<sup>(1)</sup> characteristics in DTR mode (no DQS)<sup>(2)</sup>**

| Symbol             | Parameter                                       | Conditions   | Min                          | Typ              | Max                         | Unit          |
|--------------------|---|--|------------------------------|------------------|-----------------------------|---------------|
| F(CLK)             | OCTOSPI clock frequency                         | 1.71<V <sub>DD</sub> <3.6<br>Voltage ranges 0/1<br>20 pF | -                            | -                | 56                          | MHz           |
|                    |   | 2.7<V <sub>DD</sub> <3.6<br>Voltage ranges 0/1<br>20 pF  | -                            | -                | 60                          |               |
|                    |   | 1.71<V <sub>DD</sub> <3.6<br>Voltage ranges 0/1<br>15 pF | -                            | -                | 60                          |               |
|                    |   | 1.71<V <sub>DD</sub> <3.6<br>Voltage range 2             | -                            | -                | 26                          |               |
| tw(CKH)            | OCTOSPI clock high and low time                 | PRESCALER[7:0] =<br>n = 0,1,3,5                          | t(CK)/2<br>-0.5              | -                | t(CK)/2+0.5                 | ns            |
| tw(CKL)            |   |  | t(CK)/2<br>-0.5              | -                | t(CK)/2+0.5                 |               |
| tw(CKH)            | OCTOSPI clock high and low time<br>Odd division | PRESCALER[7:0] =<br>n = 2,4,6,8                          | (n/2)×t(CK)/(n+1)-<br>0.5    | -                | (n/2)×t(CK)/(n+1)+<br>0.5   |               |
| tw(CKL)            |   |  | (n/2+1)×t(CK)/<br>(n+1) -0.5 | -                | (n/2+1)×t(CK)/<br>(n+1)+0.5 |               |
| tsr(IN), tsf(IN)   | Data input setup time                           | Voltage ranges 0/1                                       | 2.5                          | -                | -                           |               |
|                    |   | Voltage range 2  | 1.5                          | -                | -                           |               |
| thr(IN), thf(IN)   | Data input hold time                            | Voltage ranges 0/1                                       | 3                            | -                | -                           |               |
|                    |   | Voltage range 2  | 4                            | -                | -                           |               |
| tvr(OUT), tvf(OUT) | Data output valid time                          | Voltage ranges 0/1                                       | DHQC=0                       | -                | 5.5                         | 7.25          |
|                    |   |  | DHQC=1<br>Pres=1,2<br>...    | -                | Tpclk<br>/4<br>+0.5         | Tpclk/4<br>+2 |
|                    |   | Voltage range 2<br>DHQC=0                                | -                            | 8                | 10                          |               |
| thr(OUT), thf(OUT) | Data output hold time                           | Voltage ranges 0/1                                       | DHQC=0                       | 5                | -                           | -             |
|                    |   |  | DHQC=1<br>Pres=1,2<br>...    | Tpclk/4<br>-0.25 | -                           | -             |
|                    |   | Voltage range 2<br>DHQC=0                                | 8                            | -                | -                           |               |

1. Values in the table applies to octal and quad SPI mode.
2. Guaranteed by characterization results.



The following table summarizes the parameters measured in DTR mode (with DQS) / HyperBus.

**Table 148. OCTOSPI characteristics in DTR mode (with DQS)<sup>(1)</sup>/Octal and HyperBus**

| Symbol                  | Parameter  | Conditions   | Min                          | Typ | Max                       | Unit |
|-------------------------|--|--|------------------------------|-----|---------------------------|------|
| F(CLK)                  | OCTOSPI clock frequency                          | 1.71<V <sub>DD</sub> <3.6<br>Voltage ranges 0/1<br>20 pF | -                            | -   | 58 <sup>(2)</sup>         | MHz  |
|                         |  | 2.7<V <sub>DD</sub> <3.6<br>Voltage ranges 0/1<br>20 pF  | -                            | -   | 76 <sup>(2)</sup>         |      |
|                         |  | 1.71<V <sub>DD</sub> <3.6<br>Voltage range 2<br>20 pF    | -                            | -   | 26 <sup>(2)</sup>         |      |
| tw(CKH)                 | OCTOSPI clock high and low time<br>Even division | -  | t(CK)/2<br>-1                | -   | t(CK)/2<br>+0.5           | ns   |
| tw(CKL)                 |  |  | t(CK)/2<br>-0.5              | -   | t(CK)/2+0.5               |      |
| tw(CKH)                 | OCTOSPI clock high and low time<br>Odd division  | -  | (n/2)*t(CK)/(n+1)<br>-0.5    | -   | (n/2)*t(CK)/(n+1)<br>+0.5 |      |
| tw(CKL)                 |  |  | (n/2+1)*t(CK)/(n+1)<br>- 0.5 | -   | (n/2+1)*t(CK)/(n+1)+0.5   |      |
| tv(CK)                  | Clock valid time                                 | -  | -                            | -   | t(CK) + 2                 |      |
| th(CK)                  | Clock hold time                                  | -  | t(CK)/2<br>-0.5              | -   | -                         |      |
| VODr(CK) <sup>(3)</sup> | CK,CK# crossing level on CK rising edge          | V <sub>DD</sub> =1v8                                     | 832                          | -   | 1050                      | mV   |
| VODf(CK) <sup>(3)</sup> | CK,CK# crossing level on CK falling edge         | V <sub>DD</sub> =1v8                                     | 840                          | -   | 1071                      |      |

**Table 148. OCTOSPI characteristics in DTR mode (with DQS)<sup>(1)</sup>/Octal and HyperBus (continued)**

| Symbol             | Parameter                     | Conditions             | Min                 | Typ           | Max                          | Unit |              |
|--------------------|-------------------------------|------------------------|---------------------|---------------|------------------------------|------|--------------|
| tw(CS)             | Chip select high time         | -                      | 3×t(CK)             | -             | -                            | ns   |              |
| tv(DQ)             | Data input valid time         | -                      | 0                   | -             | -                            |      |              |
| tv(DS)             | Data strobe input valid time  |                        |                     |               |                              |      |              |
| th(DS)             | Data strobe input hold time   | -                      | 0                   | -             | -                            |      |              |
| tv(RWDS)           | Data strobe output valid time | -                      | -                   | -             | 3×t(CK)                      |      |              |
| tsr(DQ),tsf(DQ)    | Data input setup time         | Voltage ranges 0/1     | -0.75               | -             | t(CK)/2 -5.75 <sup>(4)</sup> |      |              |
|                    |                               | Voltage range 2        | -2.25               | -             | t(CK)/2 -8 <sup>(4)</sup>    |      |              |
| thr(DQ),thf(DQ)    | Data input hold time          | Voltage ranges 0/1     | 3.75                | -             | -                            |      |              |
|                    |                               | Voltage range 2        | 4.75                | -             | -                            |      |              |
| tvr(OUT), tvf(OUT) | Data output valid time        | Voltage ranges 0/1     | DHQC=0              | -             | 5.75                         |      | 7.75         |
|                    |                               |                        | DHQC=1 Pres=1, 2... | -             | Tpclk/4 +0.75                |      | Tpclk/4 +2.5 |
|                    |                               | Voltage range 2 DHQC=0 | -                   | 8             | 11                           |      |              |
| thr(OUT), thf(OUT) | Data output hold time         | Voltage ranges 0/1     | DHQC=0              | 3.25          | -                            |      | -            |
|                    |                               |                        | DHQC=1 Pres=1, 2... | Tpclk/4 -0.25 | -                            | -    |              |
|                    |                               | Voltage range 2 DHQC=0 | 6.5                 | -             | -                            |      |              |

1. Guaranteed by characterization results.
2. Maximum frequency values are given for a RWDS to DQ skew of maximum +/-1.0 ns.
3. (PA3/PF11), (PF10/PB12), (PF10/PB5), (PE10/PF11), (PA3/PE9) and (PE10/PB5) clk/clk# pair usage is recommended in order to respect HyperMemory AC differential crossing voltage margins.
4. Data input setup time maximum does not take into account the data level switching duration.

Figure 67. OCTOSPI timing diagram - SDR mode

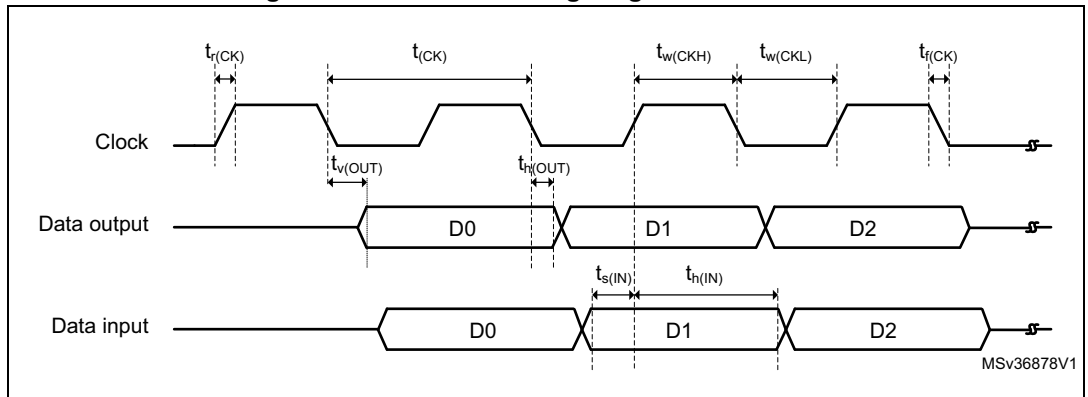


Figure 68. OCTOSPI timing diagram - DDR mode

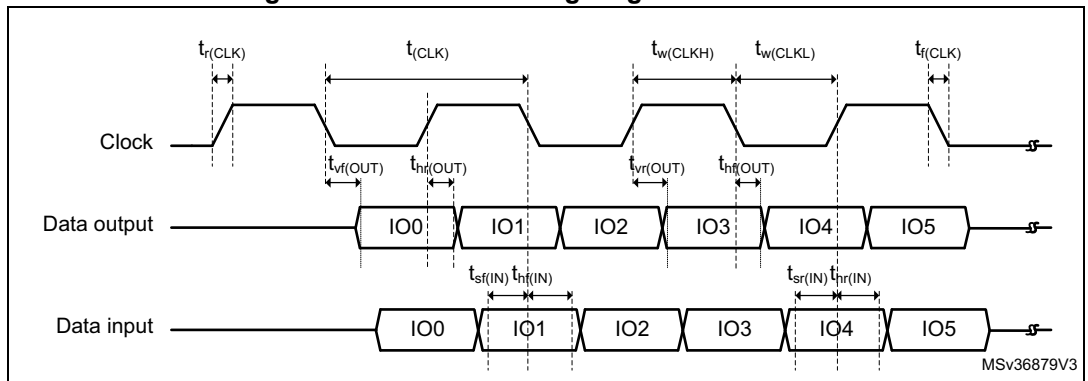


Figure 69. OCTOSPI HyperBus clock

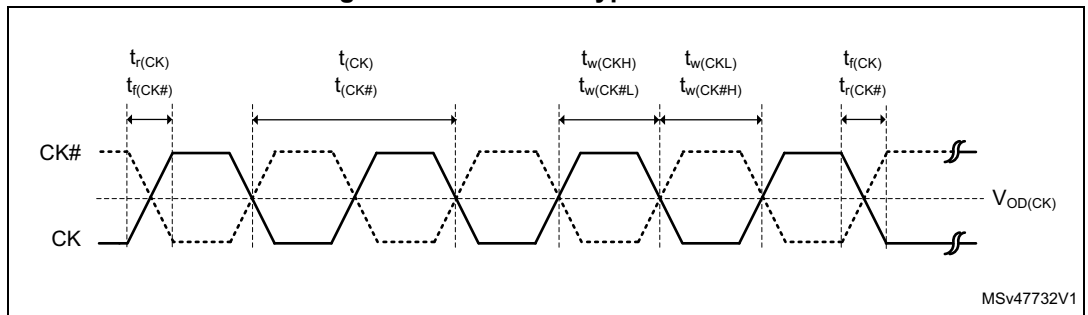


Figure 70. OCTOSPI HyperBus read

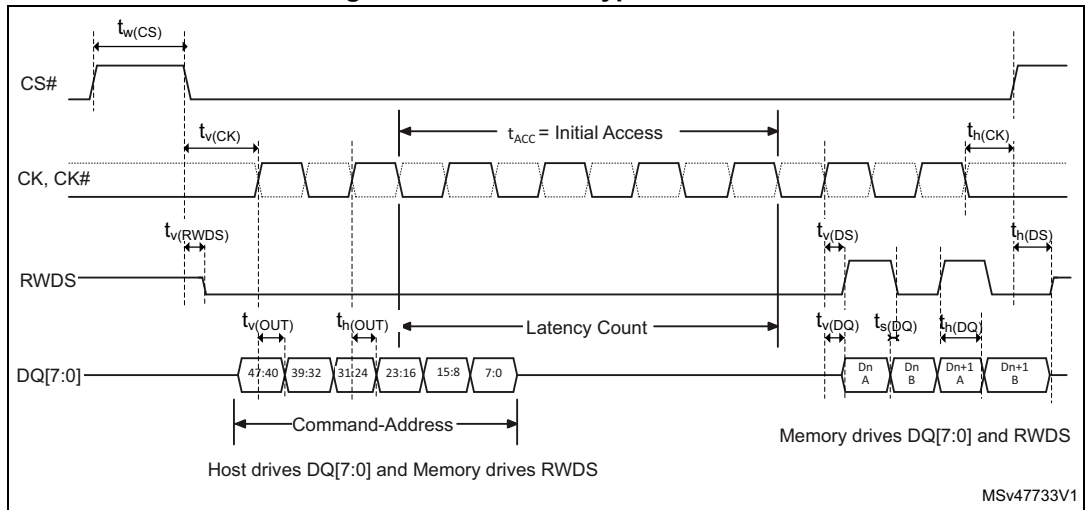


Figure 71. OCTOSPI HyperBus read with double latency

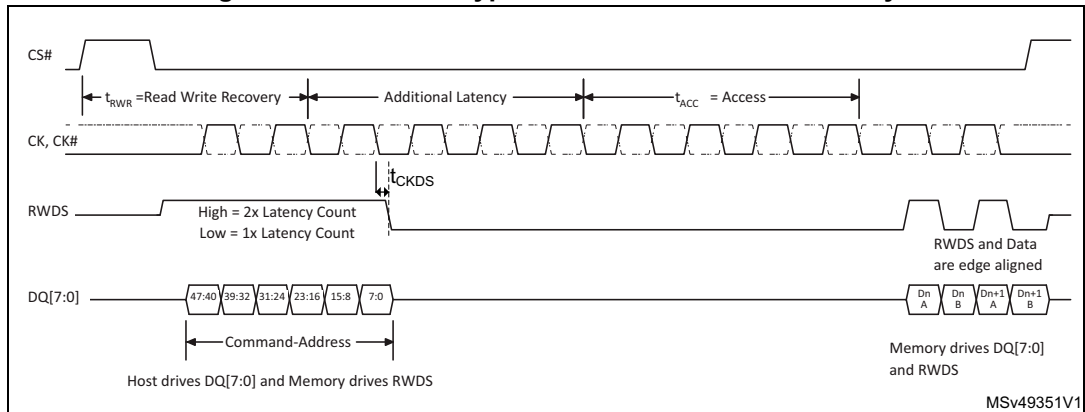
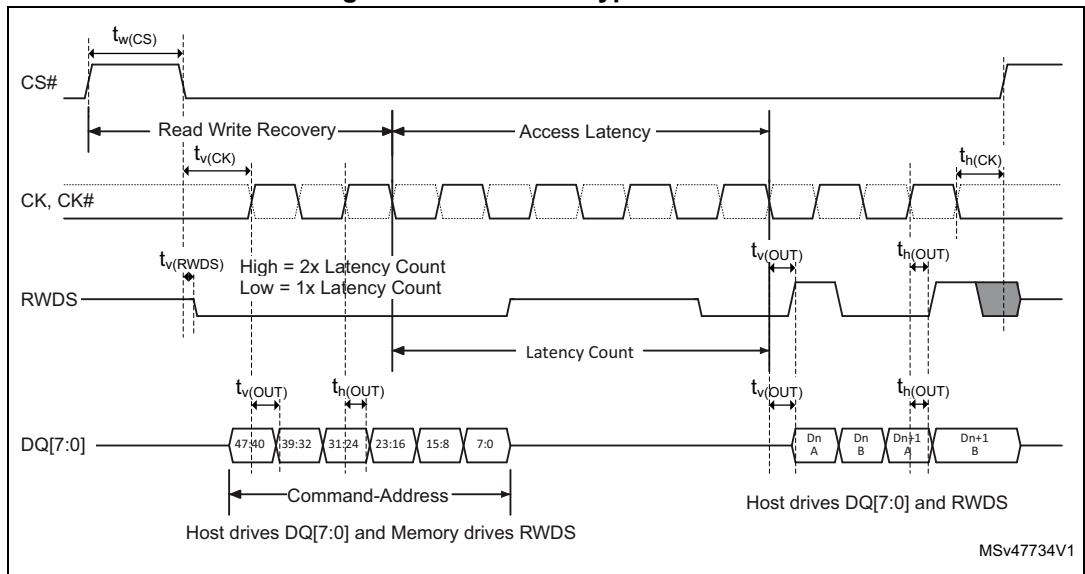


Figure 72. OCTOSPI HyperBus write



**Delay block**

Unless otherwise specified, the parameters given in [Table 149](#) for delay block are derived from tests performed under the ambient temperature, fPCLKx frequency and VDD supply voltage conditions summarized in [Table 27: General operating conditions](#) with the configuration shown in the figure below.

**Table 149. Dynamics characteristics: delay block characteristics**

| Symbol            | Parameter     | Conditions | Min  | Typ  | Max  | Unit |
|-------------------|---------------|------------|------|------|------|------|
| t <sub>init</sub> | Initial delay | -          | 1175 | 1375 | 1450 | ps   |
| t <sub>Δ</sub>    | Unit delay    | -          | 250  | 500  | 750  |      |

**5.3.32 SD/SDIO/MMC card host interfaces (SDMMC)**

Unless otherwise specified, the parameters given in [Table 150](#) and [Table 151](#) for SDIO are derived from tests performed under the ambient temperature, fPCLKx frequency and VDD supply voltage conditions summarized in [Table 27: General operating conditions](#) with the following configuration:

- Output speed is set to OSPEEDRy[1:0] = 11
- Capacitive load C = 30 pF
- Measurement points are done at CMOS levels: 0.5V<sub>DD</sub>

Refer to [Section 5.3.15: I/O port characteristics](#) for more details on the input/output characteristics.

**Table 150. Dynamics characteristics: SD / eMMC characteristics, VDD=2.7V to 3.6 V<sup>(1)</sup>**

| Symbol   | Parameter                             | Conditions             | Min | Typ | Max | Unit |
|--|---------------------------------------|------------------------|-----|-----|-----|------|
| f <sub>PP</sub>  | Clock frequency in data transfer mode | -                      | 0   | -   | 70  | MHz  |
| -  | SDIO_CK/fPCLK2 frequency ratio        | -                      | -   | -   | 8/3 | -    |
| t <sub>W(CKL)</sub>  | Clock low time                        | f <sub>pp</sub> =52MHz | 8.5 | 9.5 | -   | ns   |
| t <sub>W(CKH)</sub>  | Clock high time                       | f <sub>pp</sub> =52MHz | 8.5 | 9.5 | -   |      |
| <b>CMD, D inputs (referenced to CK) in eMMC legacy/SDR/DDR and SD HS/SDR<sup>(2)</sup>/DDR<sup>(2)</sup> mode</b>  |                                       |                        |     |     |     |      |
| t <sub>ISU</sub>   | Input setup time HS                   | -                      | 2.5 | -   | -   | ns   |
| t <sub>IHD</sub>   | Input hold time HS                    | -                      | 1   | -   | -   |      |
| <b>CMD, D outputs (referenced to CK) in eMMC legacy/SDR/DDR and SD HS/SDR<sup>(2)</sup>/DDR<sup>(2)</sup> mode</b> |                                       |                        |     |     |     |      |
| t <sub>OV</sub>  | Output valid time HS                  | -                      | -   | 5   | 6   | ns   |
| t <sub>OH</sub>  | Output hold time HS                   | -                      | 4.5 | -   | -   |      |
| <b>CMD, D inputs (referenced to CK) in SD default mode</b>   |                                       |                        |     |     |     |      |
| t <sub>ISUD</sub>  | Input setup time SD                   | -                      | 2.5 | -   | -   | ns   |
| t <sub>IHD</sub>   | Input hold time SD                    | -                      | 1   | -   | -   |      |

**Table 150. Dynamics characteristics: SD / eMMC characteristics, VDD=2.7V to 3.6 V<sup>(1)</sup> (continued)**

| Symbol  | Parameter                    | Conditions | Min | Typ | Max | Unit |
|---|------------------------------|------------|-----|-----|-----|------|
| <b>CMD, D outputs (referenced to CK) in SD default mode</b> |                              |            |     |     |     |      |
| tOVD  | Output valid default time SD | -          | -   | 1   | 2.5 | ns   |
| tOHD  | Output hold default time SD  | -          | 0.5 | -   | -   |      |

1. Guaranteed by characterization results.
2. For SD 1.8 V support, an external voltage converter is needed.

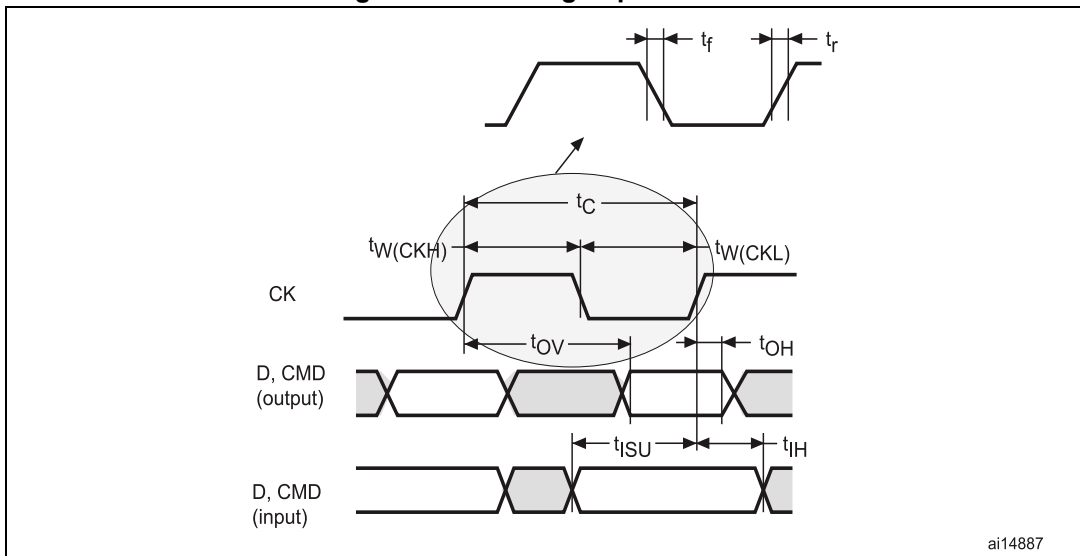
**Table 151. Dynamics characteristics: eMMC characteristics VDD=1.71 V to 1.9 V<sup>(1)(2)</sup>**

| Symbol  | Parameter                             | Conditions  | Min | Typ | Max | Unit |
|---|---------------------------------------|-------------|-----|-----|-----|------|
| fPP   | Clock frequency in data transfer mode | -           | 0   | -   | 52  | MHz  |
| -   | SDIO_CK/fPCLK2 frequency ratio        | -           | -   | -   | 8/3 | -    |
| tW(CKL)   | Clock low time                        | fpp =52 MHz | 8.5 | 9.5 | -   | ns   |
| tW(CKH)   | Clock high time                       | fpp =52 MHz | 8.5 | 9.5 | -   |      |
| <b>CMD, D inputs (referenced to CK) in eMMC mode</b>  |                                       |             |     |     |     |      |
| tISU  | Input setup time HS                   | -           | 2.5 | -   | -   | ns   |
| tIH   | Input hold time HS                    | -           | 2   | -   | -   |      |
| <b>CMD, D outputs (referenced to CK) in eMMC mode</b> |                                       |             |     |     |     |      |
| tOV   | Output valid time HS                  | -           | -   | 5.5 | 6.5 | ns   |
| tOH   | Output hold time HS                   | -           | 4   | -   | -   |      |

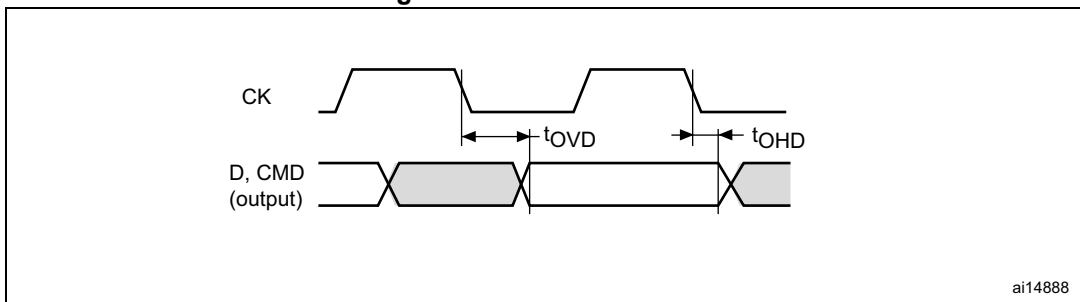
1. Guaranteed by characterization results.
2. Cload=20 pF.

See the different SDMMC diagrams in [Figure 73](#), [Figure 74](#) and [Figure 75](#) below.

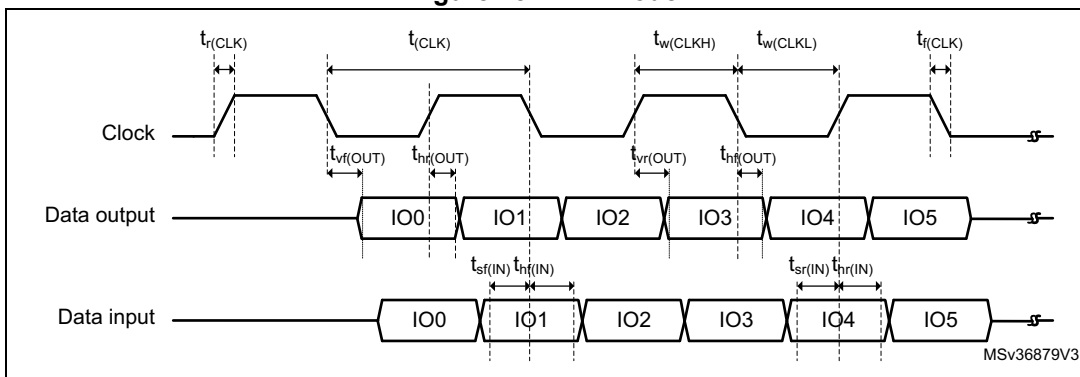
**Figure 73. SDIO high-speed mode**



**Figure 74. SD default mode**



**Figure 75. DDR mode**



### 5.3.33 UCPD characteristics

UCPD controller complies with USB Type-C Rev 1.2 and USB Power Delivery Rev 3.0 specifications.

**Table 152. UCPD characteristics**

| Symbol   | Parameter                     | Conditions           | Min   | Typ | Max   | Unit |
|----------|-------------------------------|----------------------|-------|-----|-------|------|
| $V_{DD}$ | UCPD operating supply voltage | Sink mode only       | 3.0   | 3.3 | 3.6   | V    |
|          |                               | Sink and source mode | 3.135 | 3.3 | 3.465 |      |



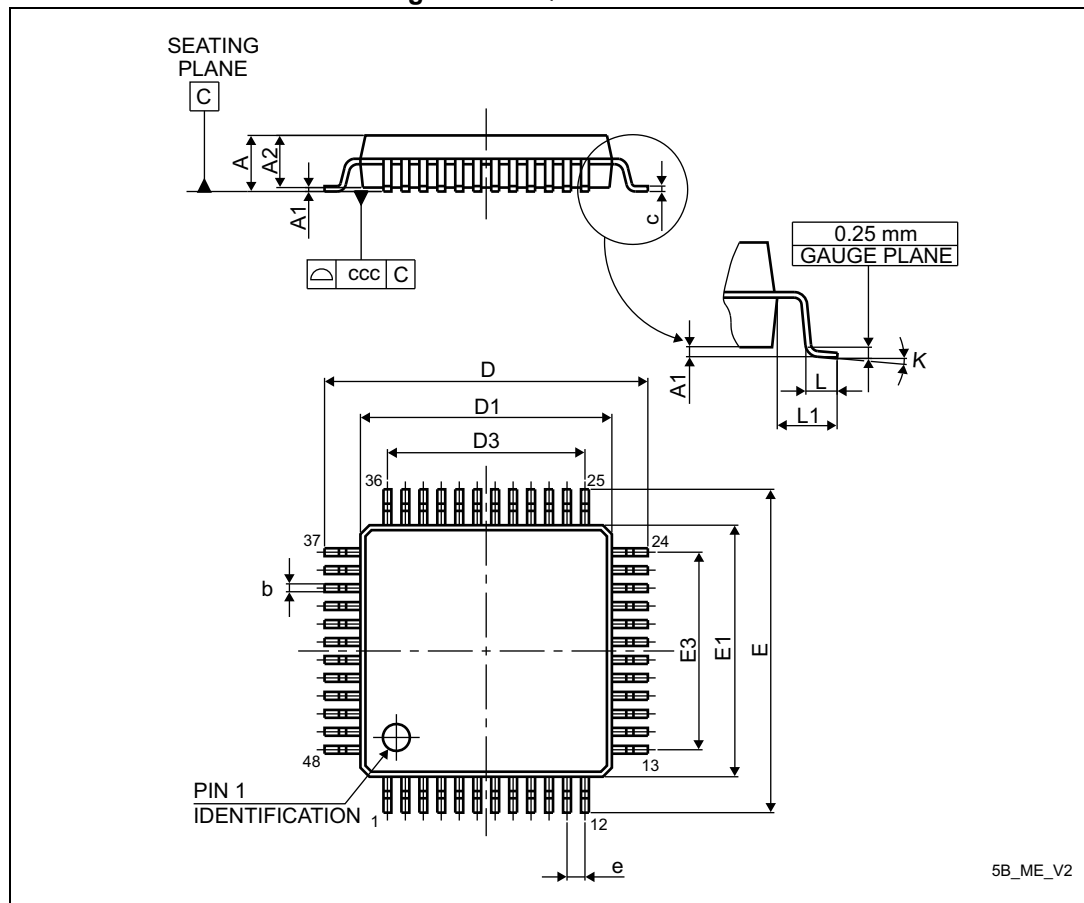
## 6 Package information

In order to meet environmental requirements, ST offers these devices in different grades of ECOPACK packages, depending on their level of environmental compliance. ECOPACK specifications, grade definitions and product status are available at: [www.st.com](http://www.st.com). ECOPACK is an ST trademark.

### 6.1 LQFP48 package information

LQFP48 is a 48-pin, 7 x 7 mm, low-profile quad flat package.

Figure 76. LQFP48 outline



1. Drawing is not to scale.

Table 153. LQFP48 mechanical data

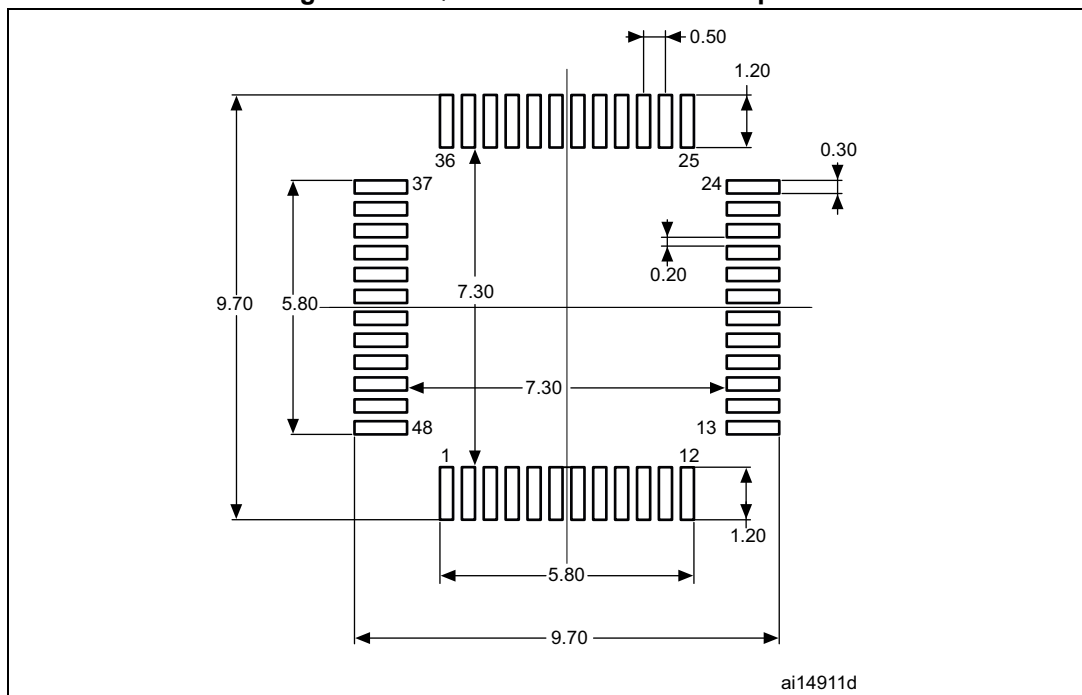
| Symbol | millimeters |       |       | inches <sup>(1)</sup> |        |        |
|--------|-------------|-------|-------|-----------------------|--------|--------|
|        | Min         | Typ   | Max   | Min                   | Typ    | Max    |
| A      | -           | -     | 1.600 | -                     | -      | 0.0630 |
| A1     | 0.050       | -     | 0.150 | 0.0020                | -      | 0.0059 |
| A2     | 1.350       | 1.400 | 1.450 | 0.0531                | 0.0551 | 0.0571 |

Table 153. LQFP48 mechanical data (continued)

| Symbol | millimeters |       |       | inches <sup>(1)</sup> |        |        |
|--------|-------------|-------|-------|-----------------------|--------|--------|
|        | Min         | Typ   | Max   | Min                   | Typ    | Max    |
| b      | 0.170       | 0.220 | 0.270 | 0.0067                | 0.0087 | 0.0106 |
| c      | 0.090       | -     | 0.200 | 0.0035                | -      | 0.0079 |
| D      | 8.800       | 9.000 | 9.200 | 0.3465                | 0.3543 | 0.3622 |
| D1     | 6.800       | 7.000 | 7.200 | 0.2677                | 0.2756 | 0.2835 |
| D3     | -           | 5.500 | -     | -                     | 0.2165 | -      |
| E      | 8.800       | 9.000 | 9.200 | 0.3465                | 0.3543 | 0.3622 |
| E1     | 6.800       | 7.000 | 7.200 | 0.2677                | 0.2756 | 0.2835 |
| E3     | -           | 5.500 | -     | -                     | 0.2165 | -      |
| e      | -           | 0.500 | -     | -                     | 0.0197 | -      |
| L      | 0.450       | 0.600 | 0.750 | 0.0177                | 0.0236 | 0.0295 |
| L1     | -           | 1.000 | -     | -                     | 0.0394 | -      |
| k      | 0°          | 3.5°  | 7°    | 0°                    | 3.5°   | 7°     |
| ccc    | -           | -     | 0.080 | -                     | -      | 0.0031 |

1. Values in inches are converted from mm and rounded to 4 decimal digits.

Figure 77. LQFP48 recommended footprint



1. Dimensions are expressed in millimeters.

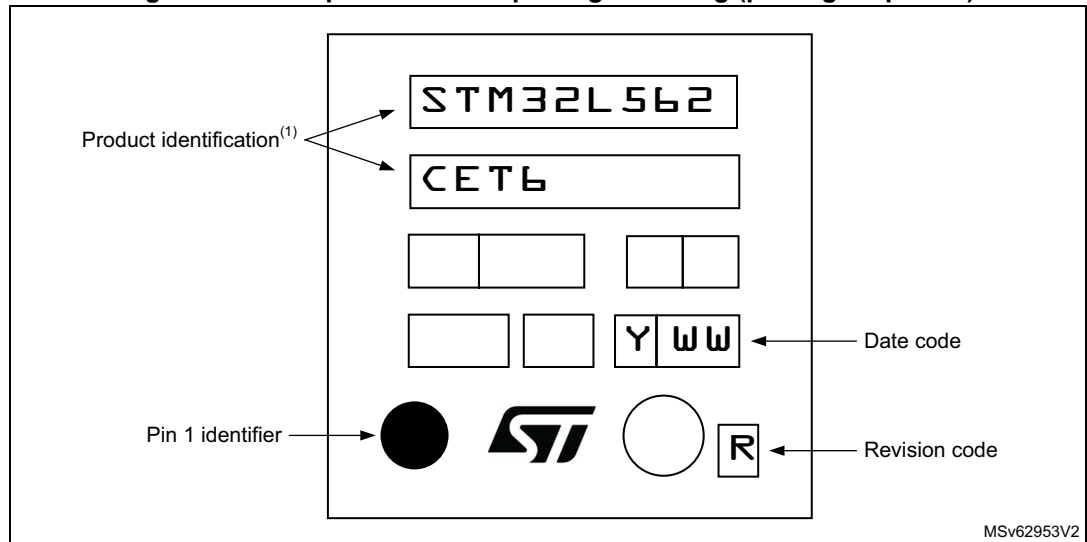
### Device marking for LQFP48

The following figure gives an example of topside marking orientation versus pin 1 identifier location.

The printed markings may differ depending on the supply chain.

Other optional marking or inset/upset marks, which also depend on supply chain operations, are not indicated below.

**Figure 78. Example of LQFP48 package marking (package top view)**

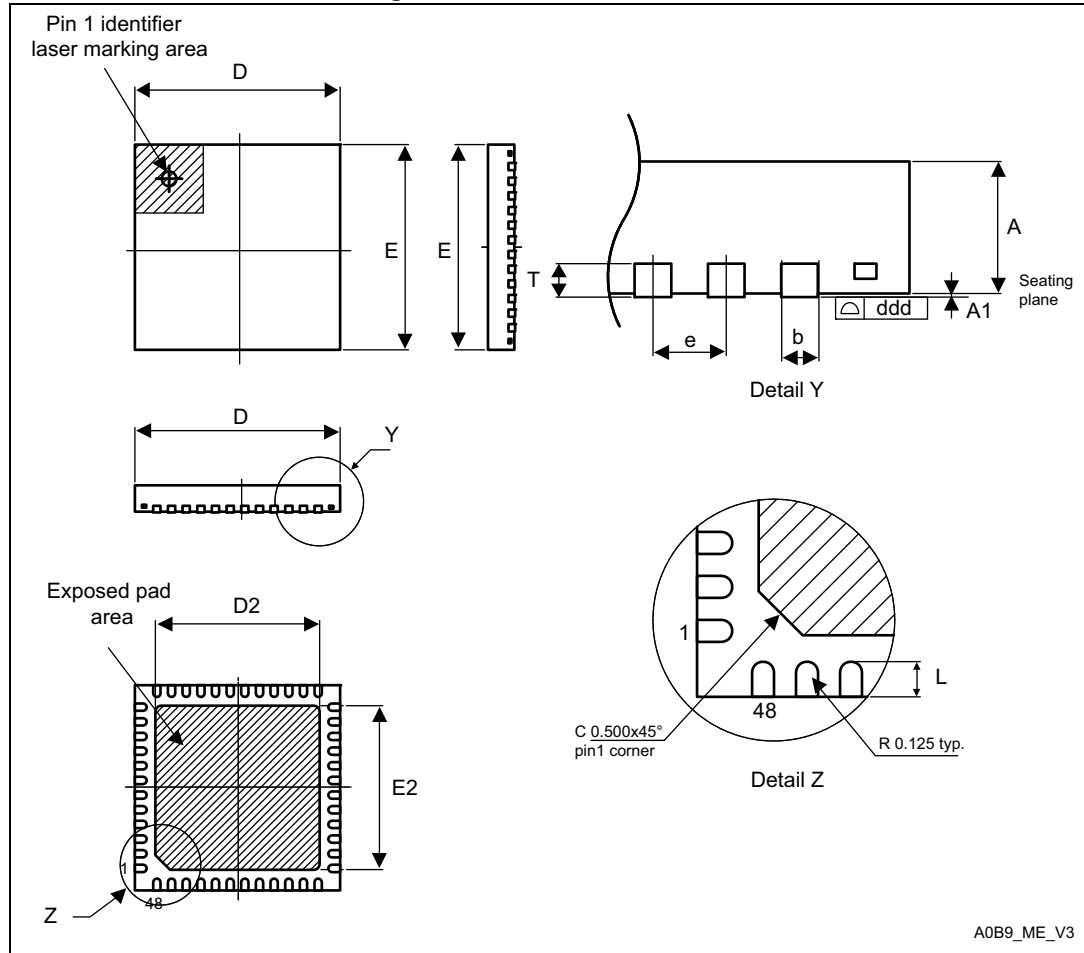


1. Parts marked as ES or E or accompanied by an Engineering Sample notification letter are not yet qualified and therefore not approved for use in production. ST is not responsible for any consequences resulting from such use. In no event will ST be liable for the customer using any of these engineering samples in production. ST's Quality department must be contacted prior to any decision to use these engineering samples to run a qualification activity.

## 6.2 UFQFPN48 package information

UFQFPN48 is a 48-lead, 7 x 7 mm, 0.5 mm pitch, ultra thin fine pitch quad flat package.

Figure 79. UFQFPN48 outline



1. Drawing is not to scale.
2. All leads/pads should also be soldered to the PCB to improve the lead/pad solder joint life.
3. There is an exposed die pad on the underside of the UFQFPN package. It is recommended to connect and solder this back-side pad to PCB ground.

Table 154. UFQFPN48 mechanical data

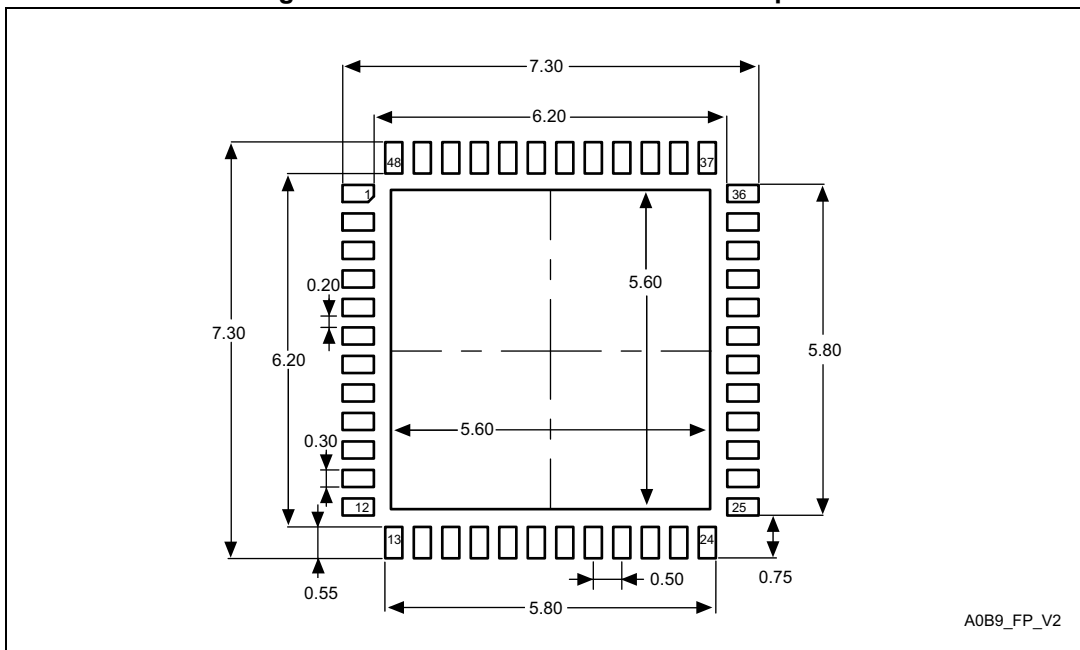
| Symbol | millimeters |       |       | inches <sup>(1)</sup> |        |        |
|--------|-------------|-------|-------|-----------------------|--------|--------|
|        | Min         | Typ   | Max   | Min                   | Typ    | Max    |
| A      | 0.500       | 0.550 | 0.600 | 0.0197                | 0.0217 | 0.0236 |
| A1     | 0.000       | 0.020 | 0.050 | 0.0000                | 0.0008 | 0.0020 |
| D      | 6.900       | 7.000 | 7.100 | 0.2717                | 0.2756 | 0.2795 |
| E      | 6.900       | 7.000 | 7.100 | 0.2717                | 0.2756 | 0.2795 |
| D2     | 5.500       | 5.600 | 5.700 | 0.2165                | 0.2205 | 0.2244 |
| E2     | 5.500       | 5.600 | 5.700 | 0.2165                | 0.2205 | 0.2244 |

Table 154. UFQFPN48 mechanical data (continued)

| Symbol | millimeters |       |       | inches <sup>(1)</sup> |        |        |
|--------|-------------|-------|-------|-----------------------|--------|--------|
|        | Min         | Typ   | Max   | Min                   | Typ    | Max    |
| L      | 0.300       | 0.400 | 0.500 | 0.0118                | 0.0157 | 0.0197 |
| T      | -           | 0.152 | -     | -                     | 0.0060 | -      |
| b      | 0.200       | 0.250 | 0.300 | 0.0079                | 0.0098 | 0.0118 |
| e      | -           | 0.500 | -     | -                     | 0.0197 | -      |
| ddd    | -           | -     | 0.080 | -                     | -      | 0.0031 |

1. Values in inches are converted from mm and rounded to 4 decimal digits.

Figure 80. UFQFPN48 recommended footprint



1. Dimensions are expressed in millimeters.

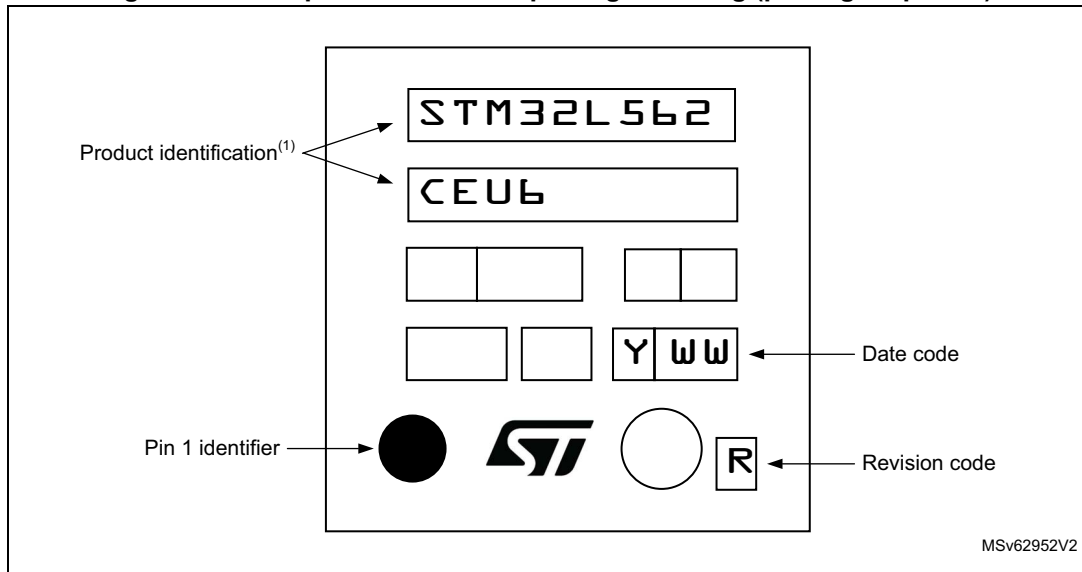
**Device marking for UFQFPN48 (7 x 7)**

The following figure gives an example of topside marking orientation versus pin 1 identifier location.

The printed markings may differ depending on the supply chain.

Other optional marking or inset/upset marks, which also depend on supply chain operations, are not indicated below.

Figure 81. Example of UFQFPN48 package marking (package top view)

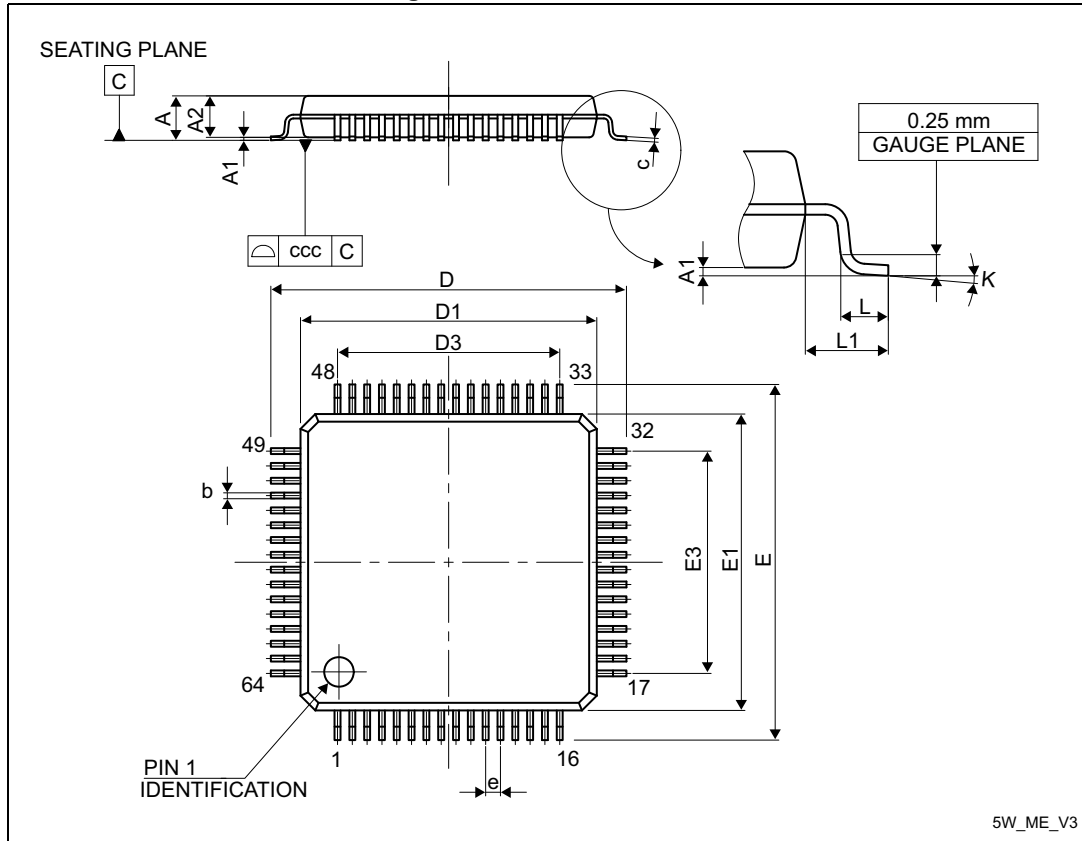


1. Parts marked as ES or E or accompanied by an Engineering Sample notification letter are not yet qualified and therefore not approved for use in production. ST is not responsible for any consequences resulting from such use. In no event will ST be liable for the customer using any of these engineering samples in production. ST's Quality department must be contacted prior to any decision to use these engineering samples to run a qualification activity.

### 6.3 LQFP64 package information

LQFP64 is a 64-pin, 10 x 10 mm, low-profile quad flat package.

Figure 82. LQFP64 outline



1. Drawing is not to scale.

Table 155. LQFP64 mechanical data

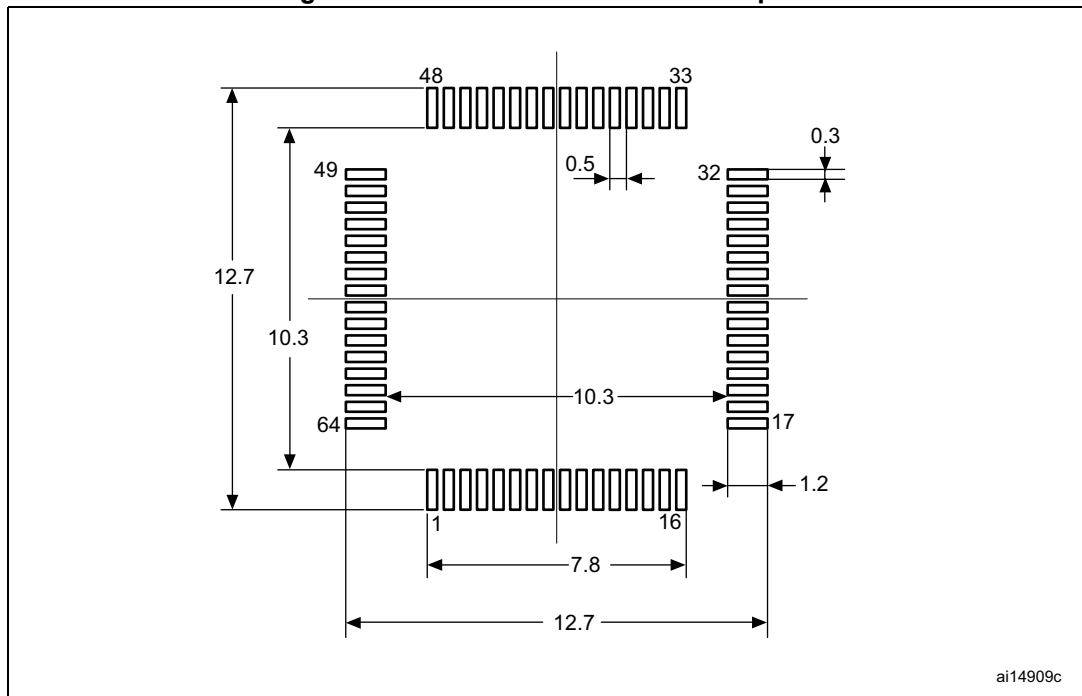
| Symbol | millimeters |        |       | inches <sup>(1)</sup> |        |        |
|--------|-------------|--------|-------|-----------------------|--------|--------|
|        | Min         | Typ    | Max   | Min                   | Typ    | Max    |
| A      | -           | -      | 1.600 | -                     | -      | 0.0630 |
| A1     | 0.050       | -      | 0.150 | 0.0020                | -      | 0.0059 |
| A2     | 1.350       | 1.400  | 1.450 | 0.0531                | 0.0551 | 0.0571 |
| b      | 0.170       | 0.220  | 0.270 | 0.0067                | 0.0087 | 0.0106 |
| c      | 0.090       | -      | 0.200 | 0.0035                | -      | 0.0079 |
| D      | -           | 12.000 | -     | -                     | 0.4724 | -      |
| D1     | -           | 10.000 | -     | -                     | 0.3937 | -      |
| D3     | -           | 7.500  | -     | -                     | 0.2953 | -      |
| E      | -           | 12.000 | -     | -                     | 0.4724 | -      |
| E1     | -           | 10.000 | -     | -                     | 0.3937 | -      |

**Table 155. LQFP64 mechanical data (continued)**

| Symbol | millimeters |       |       | inches <sup>(1)</sup> |        |        |
|--------|-------------|-------|-------|-----------------------|--------|--------|
|        | Min         | Typ   | Max   | Min                   | Typ    | Max    |
| E3     | -           | 7.500 | -     | -                     | 0.2953 | -      |
| e      | -           | 0.500 | -     | -                     | 0.0197 | -      |
| K      | 0°          | 3.5°  | 7°    | 0°                    | 3.5°   | 7°     |
| L      | 0.450       | 0.600 | 0.750 | 0.0177                | 0.0236 | 0.0295 |
| L1     | -           | 1.000 | -     | -                     | 0.0394 | -      |
| ccc    | -           | -     | 0.080 | -                     | -      | 0.0031 |

1. Values in inches are converted from mm and rounded to 4 decimal digits.

**Figure 83. LQFP64 recommended footprint**



1. Dimensions are expressed in millimeters.

**Device marking for LQFP64 (10 x 10)**

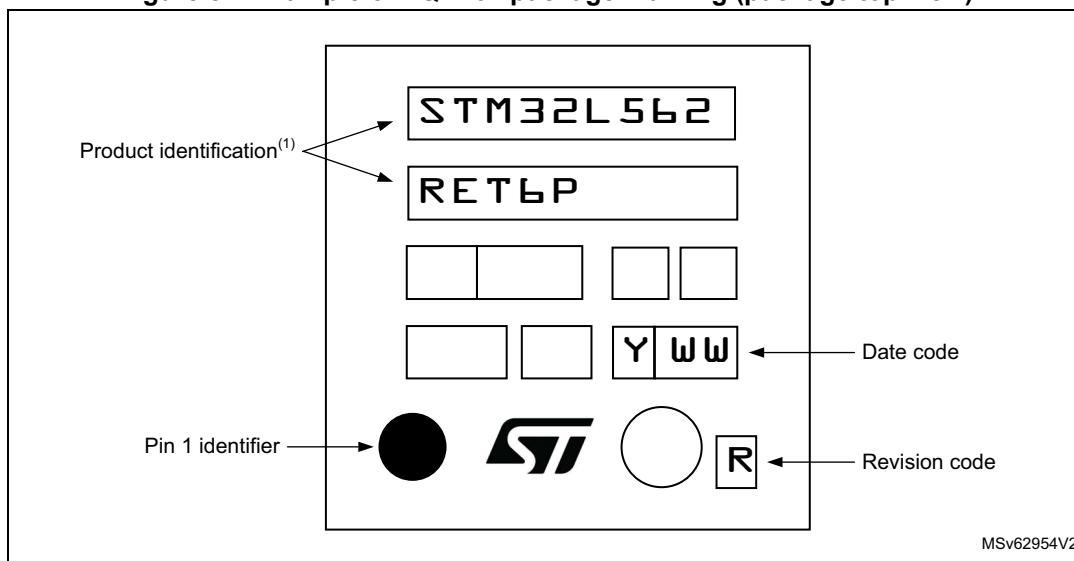
The following figure gives an example of topside marking orientation versus pin 1 identifier location.

The printed markings may differ depending on the supply chain.

Other optional marking or inset/upset marks, which also depend on supply chain operations, are not indicated below.



Figure 84. Example of LQFP64 package marking (package top view)

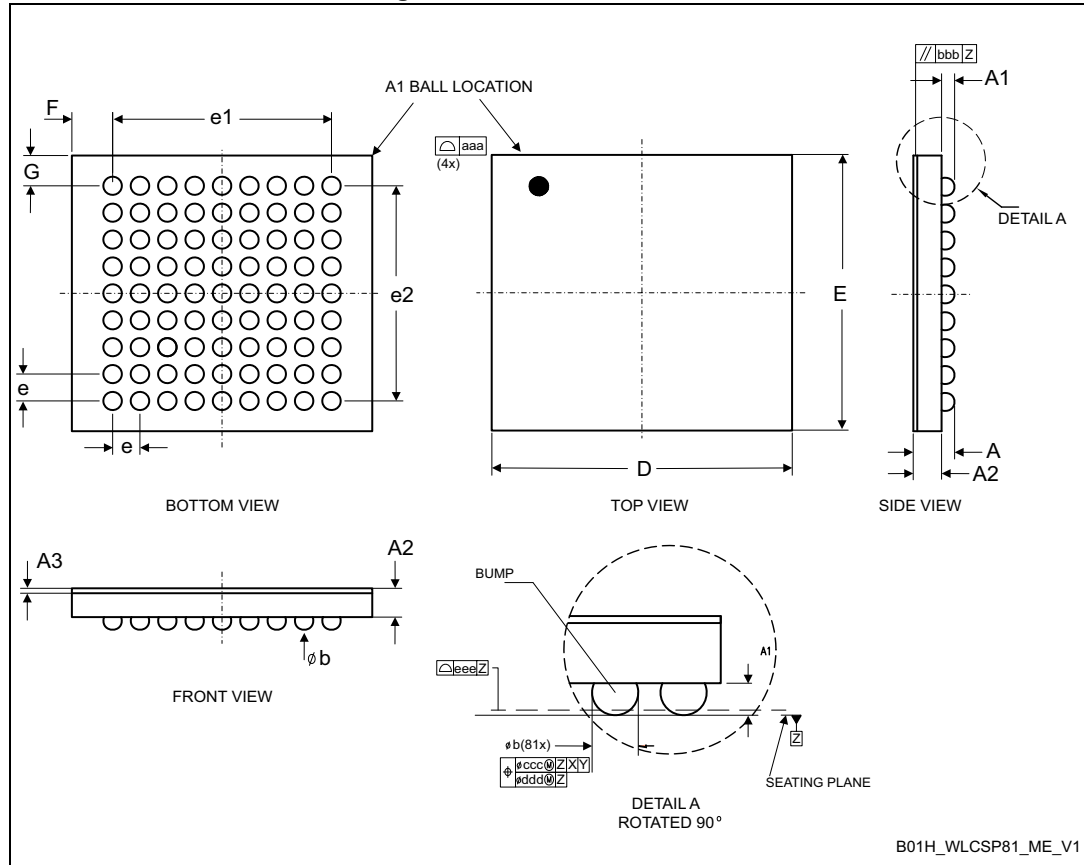


1. Parts marked as ES or E or accompanied by an Engineering Sample notification letter are not yet qualified and therefore not approved for use in production. ST is not responsible for any consequences resulting from such use. In no event will ST be liable for the customer using any of these engineering samples in production. ST's Quality department must be contacted prior to any decision to use these engineering samples to run a qualification activity.

### 6.4 WLCSP81 package information

WLCSP81 is a 81-ball, 4.36 x 4.07 mm, 0.4 mm pitch, wafer level chip scale package.

Figure 85. WLCSP81 outline



1. Drawing is not to scale.
2. Dimension is measured at the maximum bump diameter parallel to primary datum Z.
3. Primary datum Z and seating plane are defined by the spherical crowns of the bump.
4. Bump position designation per JESD 95-1, SPP-010.

Table 156. WLCSP81 mechanical data

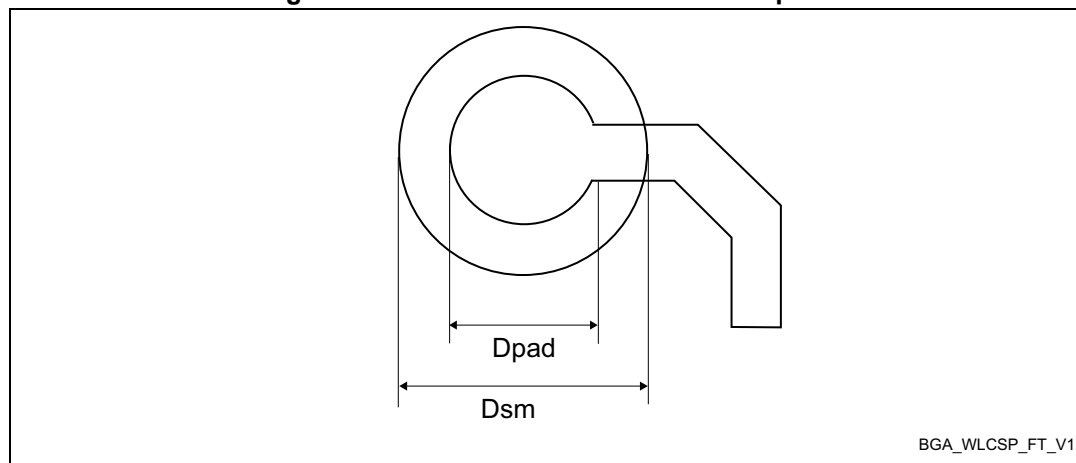
| Symbol            | millimeters |       |      | inches <sup>(1)</sup> |       |       |
|-------------------|-------------|-------|------|-----------------------|-------|-------|
|                   | Min         | Typ   | Max  | Min                   | Typ   | Max   |
| A <sup>(2)</sup>  | -           | -     | 0.59 | -                     | -     | 0.023 |
| A1                | -           | 0.18  | -    | -                     | 0.007 | -     |
| A2                | -           | 0.38  | -    | -                     | 0.015 | -     |
| A3 <sup>(3)</sup> | -           | 0.025 | -    | -                     | 0.001 | -     |
| b                 | 0.22        | 0.25  | 0.28 | 0.009                 | 0.010 | 0.011 |
| D                 | 4.33        | 4.36  | 4.39 | 0.170                 | 0.172 | 0.173 |
| E                 | 4.05        | 4.07  | 4.09 | 0.159                 | 0.160 | 0.161 |

**Table 156. WLCSP81 mechanical data (continued)**

| Symbol           | millimeters |       |     | inches <sup>(1)</sup> |       |     |
|------------------|-------------|-------|-----|-----------------------|-------|-----|
|                  | Min         | Typ   | Max | Min                   | Typ   | Max |
| e                | -           | 0.40  | -   | -                     | 0.016 | -   |
| e1               | -           | 3.20  | -   | -                     | 0.126 | -   |
| e2               | -           | 3.20  | -   | -                     | 0.126 | -   |
| F <sup>(4)</sup> | -           | 0.580 | -   | -                     | 0.023 | -   |
| G <sup>(4)</sup> | -           | 0.435 | -   | -                     | 0.017 | -   |
| aaa              | -           | 0.10  | -   | -                     | 0.004 | -   |
| bbb              | -           | 0.10  | -   | -                     | 0.004 | -   |
| ccc              | -           | 0.10  | -   | -                     | 0.004 | -   |
| ddd              | -           | 0.05  | -   | -                     | 0.002 | -   |
| eee              | -           | 0.05  | -   | -                     | 0.002 | -   |

1. Values in inches are converted from mm and rounded to 4 decimal digits.
2. The maximum total package height is calculated by the RSS method (Root Sum Square) using nominal and tolerances values of A1 and A2.
3. Back side coating. Nominal dimension is rounded to the 3rd decimal place resulting from process capability.
4. Calculated dimensions are rounded to the 3rd decimal place.

**Figure 86. WLCSP 81 recommended footprint**



1. Dimensions are expressed in millimeters.

**Table 157. WLCSP81 recommended PCB design rules**

| Dimension         | Recommended values   |
|-------------------|--|
| Pitch             | 0.4 mm   |
| Dpad              | 0,225 mm   |
| Dsm               | 0.290 mm typ. (depends on soldermask registration tolerance) |
| Stencil opening   | 0.250 mm   |
| Stencil thickness | 0.100 mm   |

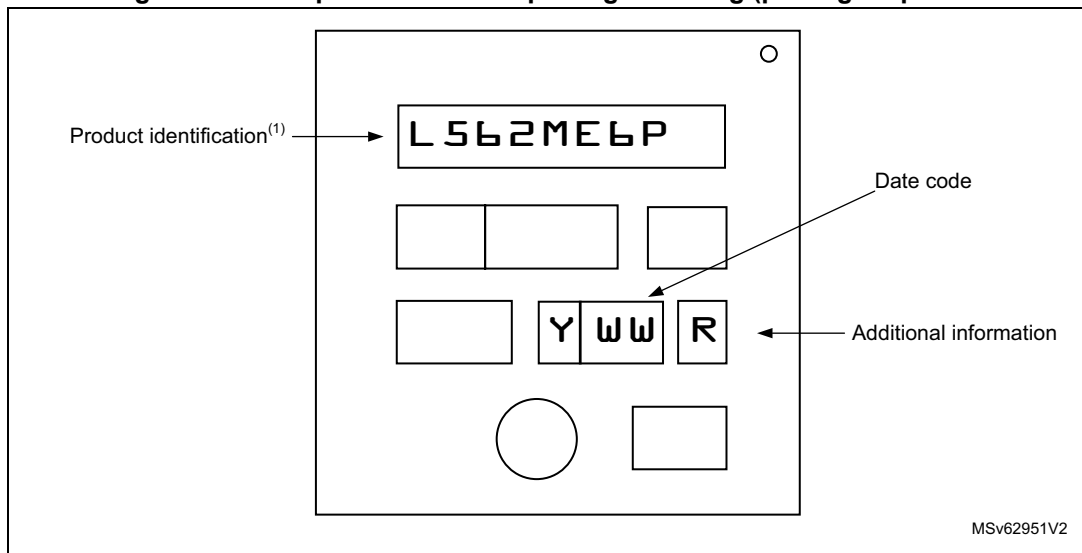
**Device marking for WLCSP81**

The following figure gives an example of topside marking orientation versus ball A1 identifier location.

The printed markings may differ depending on the supply chain.

Other optional marking or inset/upset marks, which also depend on supply chain operations, are not indicated below.

**Figure 87. Example of WLCSP81 package marking (package top view)**

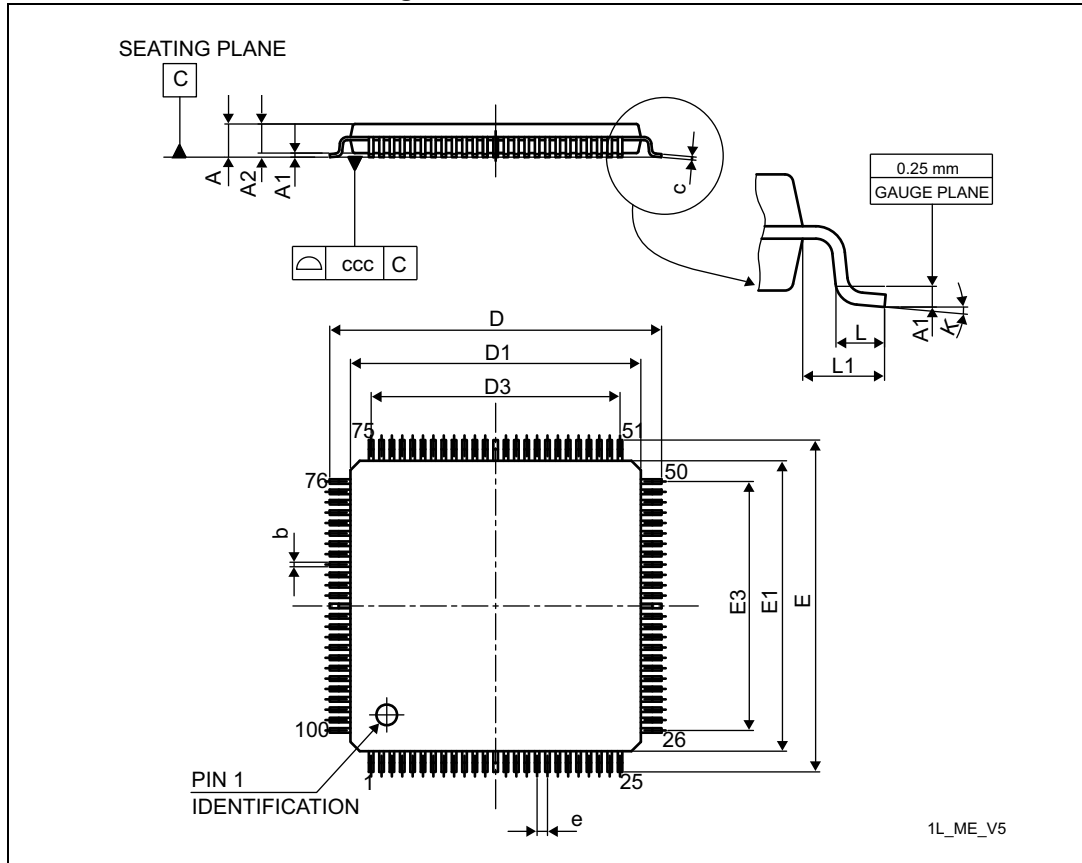


1. Parts marked as ES or E or accompanied by an Engineering Sample notification letter are not yet qualified and therefore not approved for use in production. ST is not responsible for any consequences resulting from such use. In no event will ST be liable for the customer using any of these engineering samples in production. ST's Quality department must be contacted prior to any decision to use these engineering samples to run a qualification activity.

### 6.5 LQFP100 package information

LQFP100 is a 100-pin, 14 x 14 mm low-profile quad flat package.

Figure 88. LQFP100 outline



1. Drawing is not to scale.

Table 158. LQFP100 mechanical data

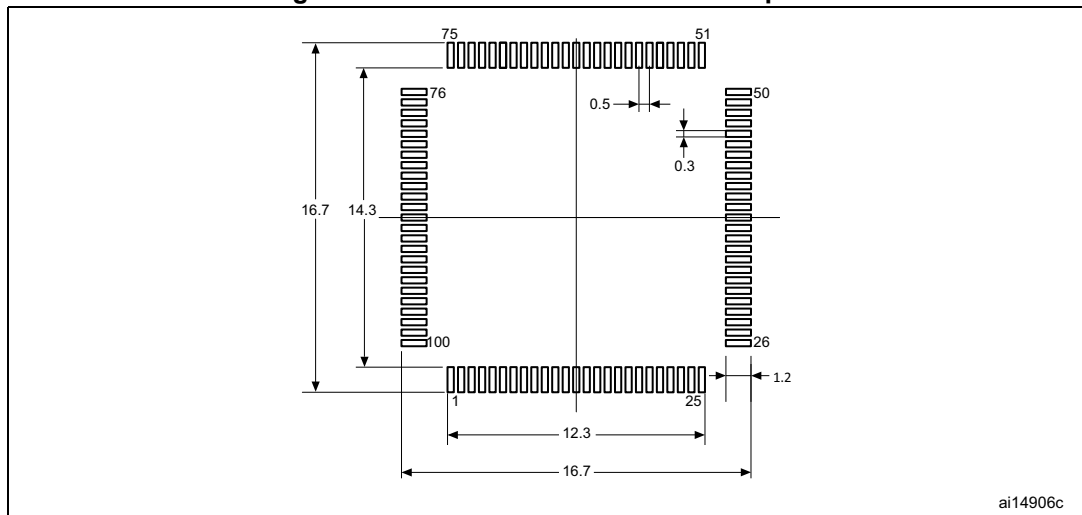
| Symbol | millimeters |        |        | inches <sup>(1)</sup> |        |        |
|--------|-------------|--------|--------|-----------------------|--------|--------|
|        | Min         | Typ    | Max    | Min                   | Typ    | Max    |
| A      | -           | -      | 1.600  | -                     | -      | 0.0630 |
| A1     | 0.050       | -      | 0.150  | 0.0020                | -      | 0.0059 |
| A2     | 1.350       | 1.400  | 1.450  | 0.0531                | 0.0551 | 0.0571 |
| b      | 0.170       | 0.220  | 0.270  | 0.0067                | 0.0087 | 0.0106 |
| c      | 0.090       | -      | 0.200  | 0.0035                | -      | 0.0079 |
| D      | 15.800      | 16.000 | 16.200 | 0.6220                | 0.6299 | 0.6378 |
| D1     | 13.800      | 14.000 | 14.200 | 0.5433                | 0.5512 | 0.5591 |
| D3     | -           | 12.000 | -      | -                     | 0.4724 | -      |
| E      | 15.800      | 16.000 | 16.200 | 0.6220                | 0.6299 | 0.6378 |

Table 158. LQFP100 mechanical data (continued)

| Symbol | millimeters |        |        | inches <sup>(1)</sup> |        |        |
|--------|-------------|--------|--------|-----------------------|--------|--------|
|        | Min         | Typ    | Max    | Min                   | Typ    | Max    |
| E1     | 13.800      | 14.000 | 14.200 | 0.5433                | 0.5512 | 0.5591 |
| E3     | -           | 12.000 | -      | -                     | 0.4724 | -      |
| e      | -           | 0.500  | -      | -                     | 0.0197 | -      |
| L      | 0.450       | 0.600  | 0.750  | 0.0177                | 0.0236 | 0.0295 |
| L1     | -           | 1.000  | -      | -                     | 0.0394 | -      |
| k      | 0.0°        | 3.5°   | 7.0°   | 0.0°                  | 3.5°   | 7.0°   |
| ccc    | -           | -      | 0.080  | -                     | -      | 0.0031 |

1. Values in inches are converted from mm and rounded to 4 decimal digits.

Figure 89. LQFP100 recommended footprint



1. Dimensions are expressed in millimeters.

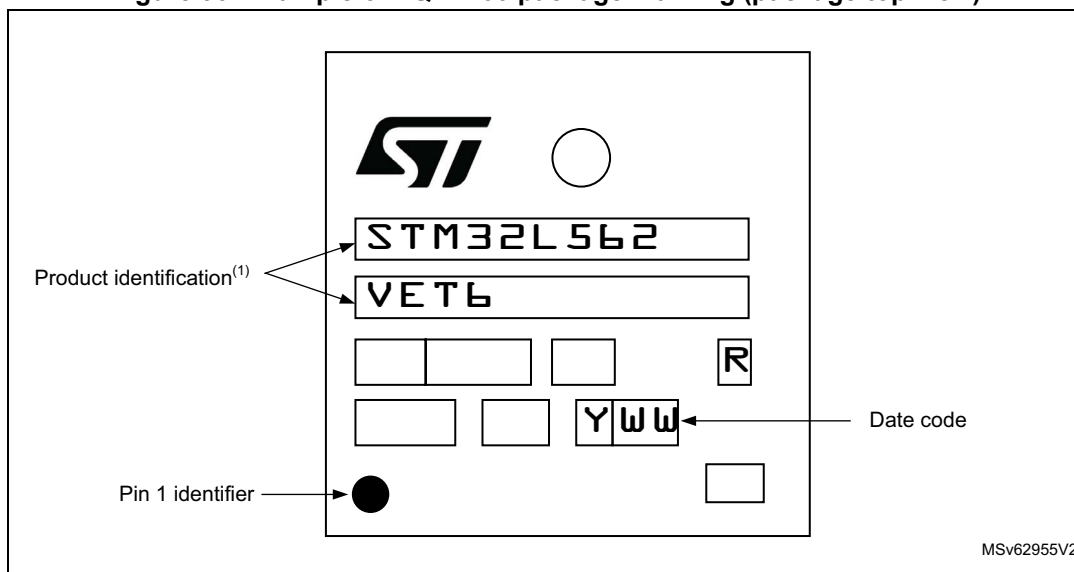
**Device marking for LQFP100**

The following figure gives an example of topside marking orientation versus pin 1 identifier location.

The printed markings may differ depending on the supply chain.

Other optional marking or inset/upset marks, which also depend on supply chain operations, are not indicated below.

Figure 90. Example of LQFP100 package marking (package top view)

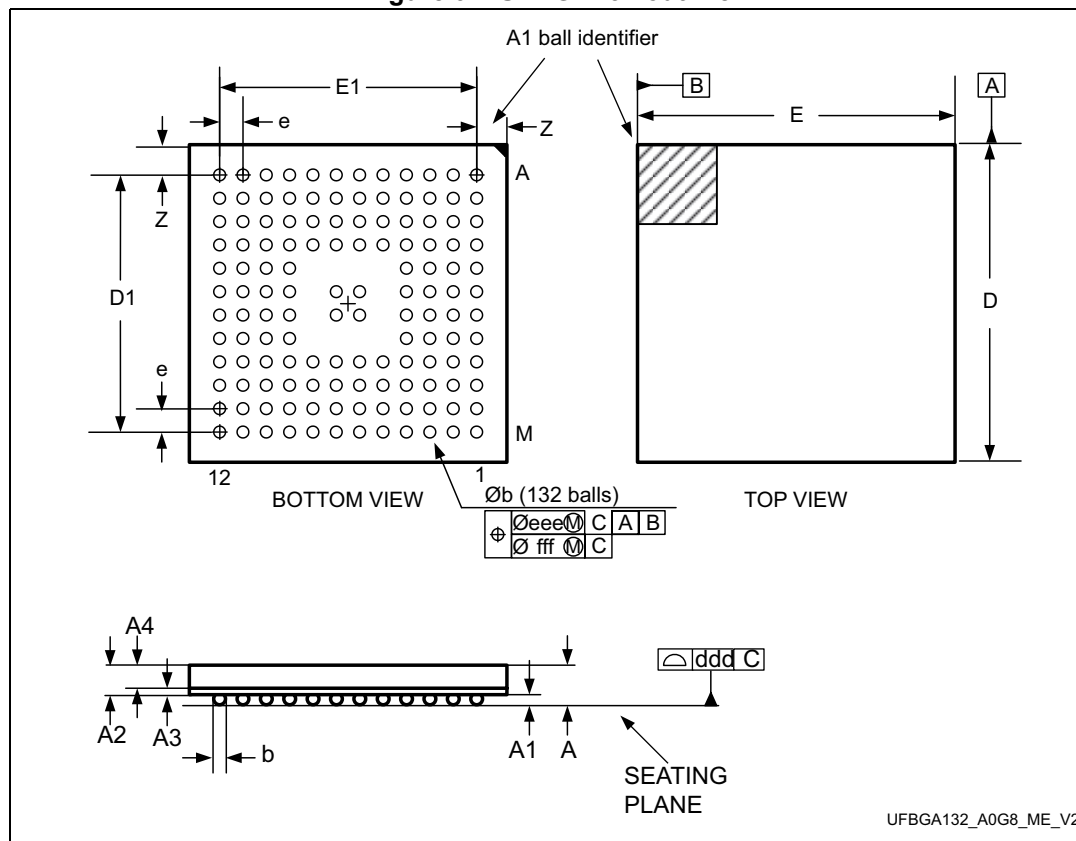


1. Parts marked as ES or E or accompanied by an Engineering Sample notification letter are not yet qualified and therefore not approved for use in production. ST is not responsible for any consequences resulting from such use. In no event will ST be liable for the customer using any of these engineering samples in production. ST's Quality department must be contacted prior to any decision to use these engineering samples to run a qualification activity.

## 6.6 UFBGA132 package information

UFBGA132 is a 132-pin, 7 x 7 mm, ultra thin fine pitch ball grid array package.

Figure 91. UFBGA132 outline



1. Drawing is not to scale.

Table 159. UFBGA132 mechanical data

| Symbol | millimeters |       |       | inches <sup>(1)</sup> |        |        |
|--------|-------------|-------|-------|-----------------------|--------|--------|
|        | Min         | Typ   | Max   | Min                   | Typ    | Max    |
| A      | -           | -     | 0.600 | -                     | -      | 0.0236 |
| A1     | -           | -     | 0.110 | -                     | -      | 0.0043 |
| A2     | -           | 0.450 | -     | -                     | 0.0177 | -      |
| A3     | -           | 0.130 | -     | -                     | 0.0051 | -      |
| A4     | -           | 0.320 | -     | -                     | 0.0126 | -      |
| b      | 0.240       | 0.290 | 0.340 | 0.0094                | 0.0114 | 0.0134 |
| D      | 6.850       | 7.000 | 7.150 | 0.2697                | 0.2756 | 0.2815 |
| D1     | -           | 5.500 | -     | -                     | 0.2165 | -      |
| E      | 6.850       | 7.000 | 7.150 | 0.2697                | 0.2756 | 0.2815 |
| E1     | -           | 5.500 | -     | -                     | 0.2165 | -      |
| e      | -           | 0.500 | -     | -                     | 0.0197 | -      |

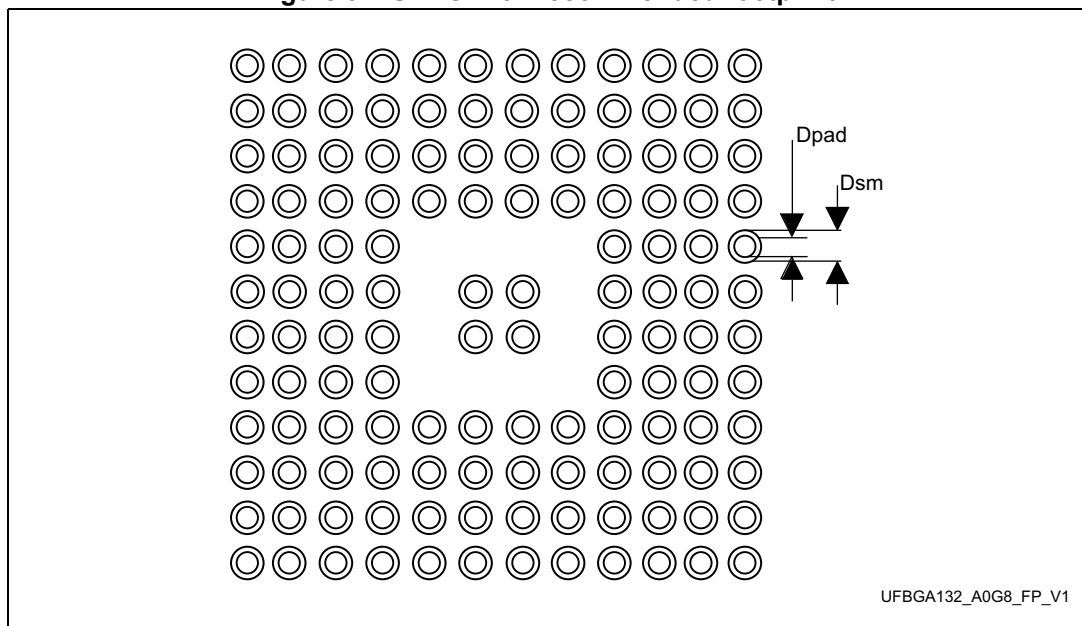


**Table 159. UFBGA132 mechanical data (continued)**

| Symbol | millimeters |       |     | inches <sup>(1)</sup> |        |     |
|--------|-------------|-------|-----|-----------------------|--------|-----|
|        | Min         | Typ   | Max | Min                   | Typ    | Max |
| Z      | -           | 0.750 | -   | -                     | 0.0295 | -   |
| ddd    | -           | 0.080 | -   | -                     | 0.0031 | -   |
| eee    | -           | 0.150 | -   | -                     | 0.0059 | -   |
| fff    | -           | 0.050 | -   | -                     | 0.0020 | -   |

1. Values in inches are converted from mm and rounded to 4 decimal digits.

**Figure 92. UFBGA132 recommended footprint**



**Table 160. UFBGA132 recommended PCB design rules (0.5 mm pitch BGA)**

| Dimension         | Recommended values   |
|-------------------|--|
| Pitch             | 0.5 mm   |
| Dpad              | 0.280 mm   |
| Dsm               | 0.370 mm typ. (depends on the soldermask registration tolerance) |
| Stencil opening   | 0.280 mm   |
| Stencil thickness | Between 0.100 mm and 0.125 mm                                    |
| Pad trace width   | 0.100 mm   |
| Ball diameter     | 0.280 mm   |

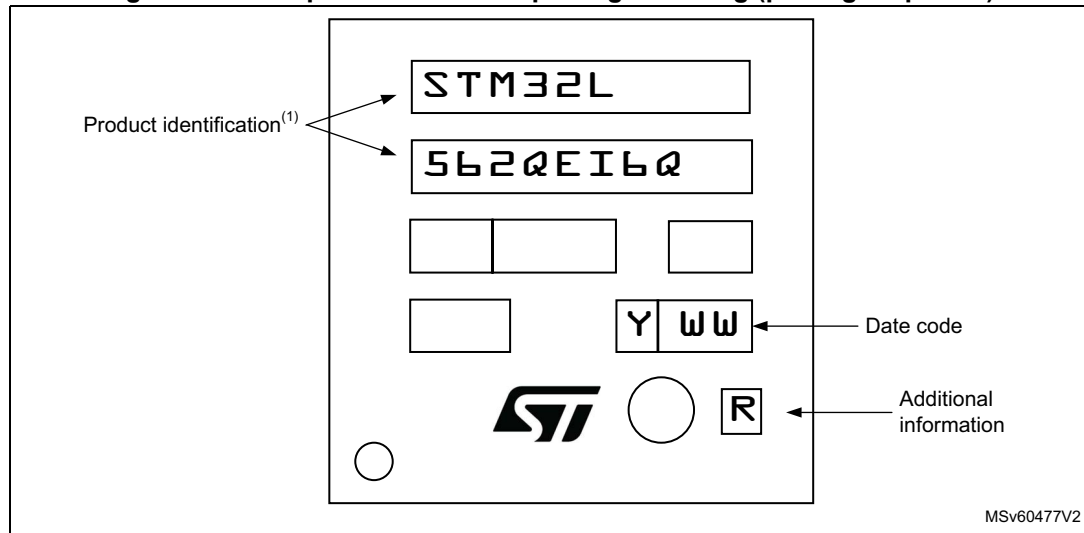
**Device marking for UFBGA132 (7 x 7)**

The following figure gives an example of topside marking orientation versus ball A1 identifier location.

The printed markings may differ depending on the supply chain.

Other optional marking or inset/upset marks, which also depend on supply chain operations, are not indicated below.

**Figure 93. Example of UFBGA132 package marking (package top view)**

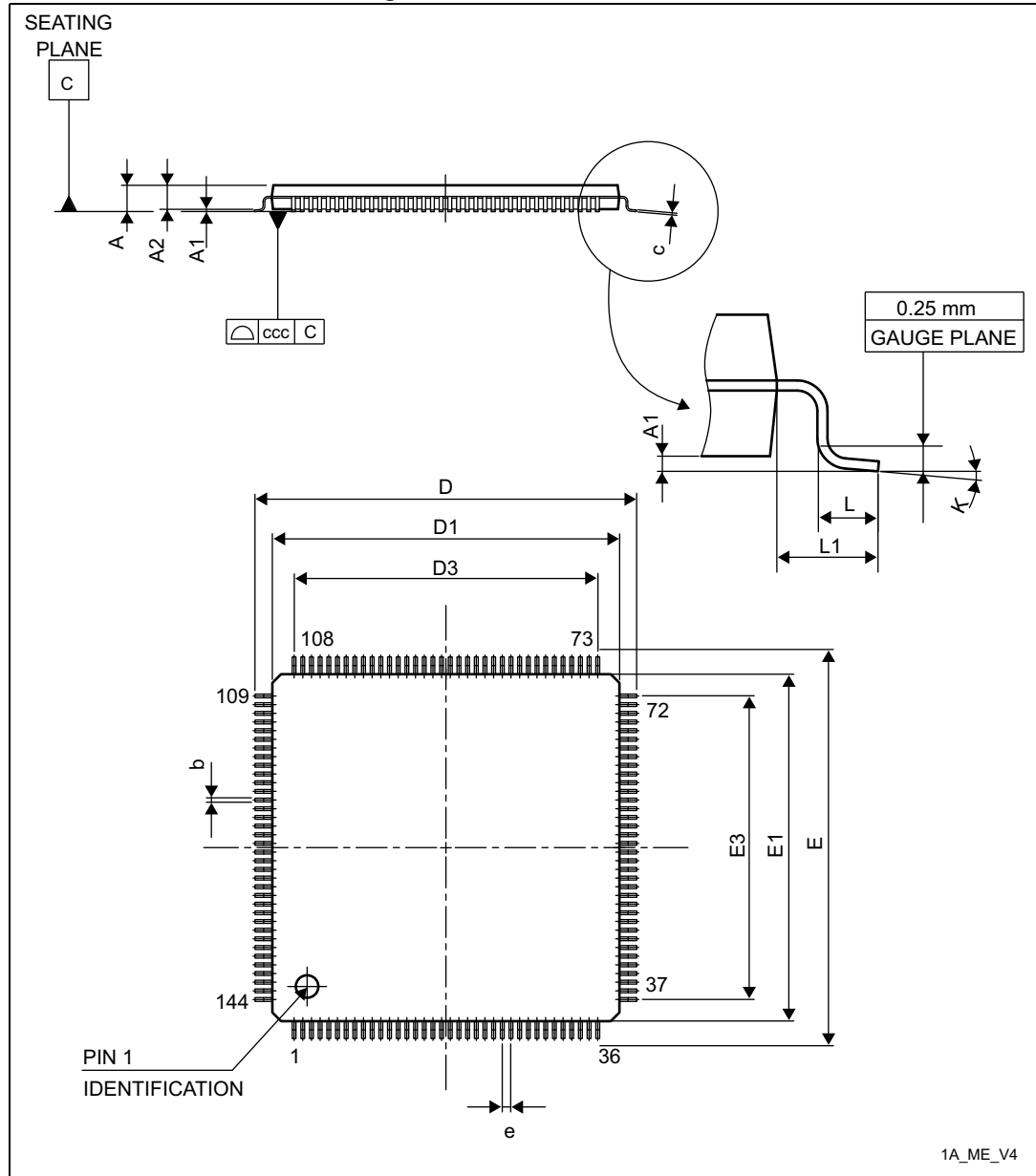


1. Parts marked as ES or E or accompanied by an Engineering Sample notification letter are not yet qualified and therefore not approved for use in production. ST is not responsible for any consequences resulting from such use. In no event will ST be liable for the customer using any of these engineering samples in production. ST's Quality department must be contacted prior to any decision to use these engineering samples to run a qualification activity.

### 6.7 LQFP144 package information

LQFP144 is a 144-pin, 20 x 20 mm low-profile quad flat package.

Figure 94. LQFP144 outline



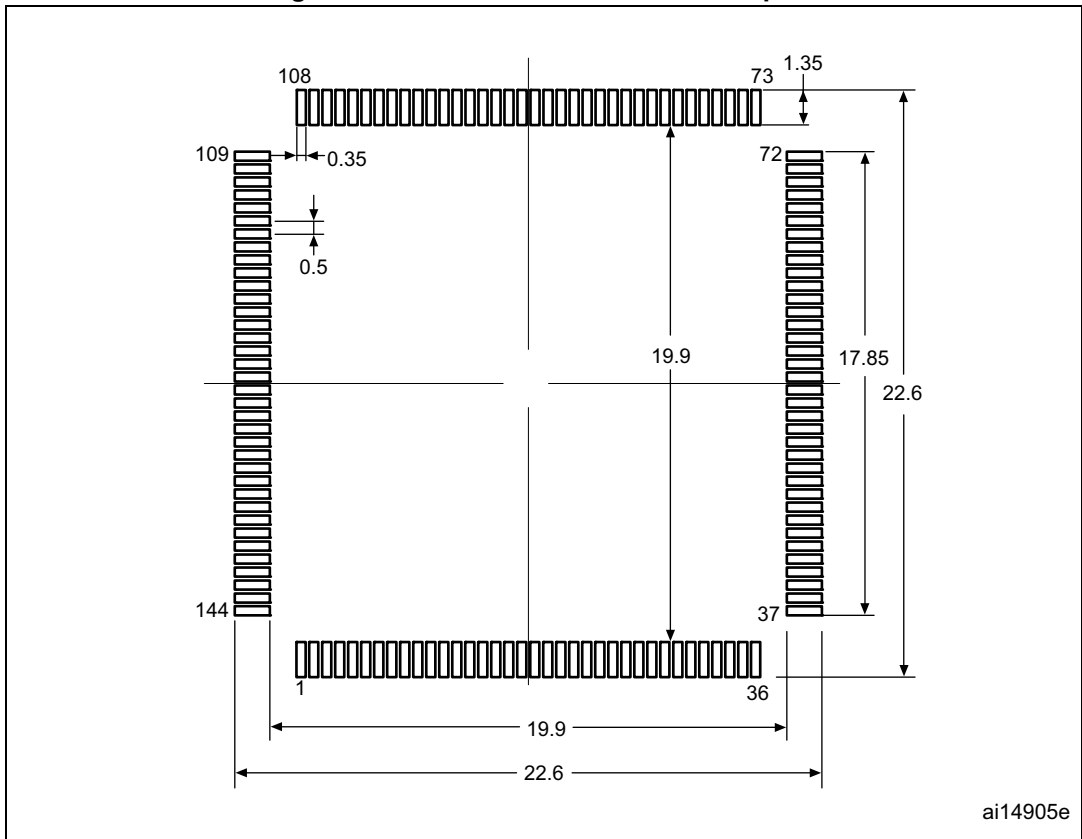
1. Drawing is not to scale.

Table 161. LQFP144 mechanical data

| Symbol | millimeters |        |        | inches <sup>(1)</sup> |        |        |
|--------|-------------|--------|--------|-----------------------|--------|--------|
|        | Min         | Typ    | Max    | Min                   | Typ    | Max    |
| A      | -           | -      | 1.600  | -                     | -      | 0.0630 |
| A1     | 0.050       | -      | 0.150  | 0.0020                | -      | 0.0059 |
| A2     | 1.350       | 1.400  | 1.450  | 0.0531                | 0.0551 | 0.0571 |
| b      | 0.170       | 0.220  | 0.270  | 0.0067                | 0.0087 | 0.0106 |
| c      | 0.090       | -      | 0.200  | 0.0035                | -      | 0.0079 |
| D      | 21.800      | 22.000 | 22.200 | 0.8583                | 0.8661 | 0.8740 |
| D1     | 19.800      | 20.000 | 20.200 | 0.7795                | 0.7874 | 0.7953 |
| D3     | -           | 17.500 | -      | -                     | 0.6890 | -      |
| E      | 21.800      | 22.000 | 22.200 | 0.8583                | 0.8661 | 0.8740 |
| E1     | 19.800      | 20.000 | 20.200 | 0.7795                | 0.7874 | 0.7953 |
| E3     | -           | 17.500 | -      | -                     | 0.6890 | -      |
| e      | -           | 0.500  | -      | -                     | 0.0197 | -      |
| L      | 0.450       | 0.600  | 0.750  | 0.0177                | 0.0236 | 0.0295 |
| L1     | -           | 1.000  | -      | -                     | 0.0394 | -      |
| k      | 0°          | 3.5°   | 7°     | 0°                    | 3.5°   | 7°     |
| ccc    | -           | -      | 0.080  | -                     | -      | 0.0031 |

1. Values in inches are converted from mm and rounded to 4 decimal digits.

Figure 95. LQFP144 recommended footprint



1. Dimensions are expressed in millimeters.

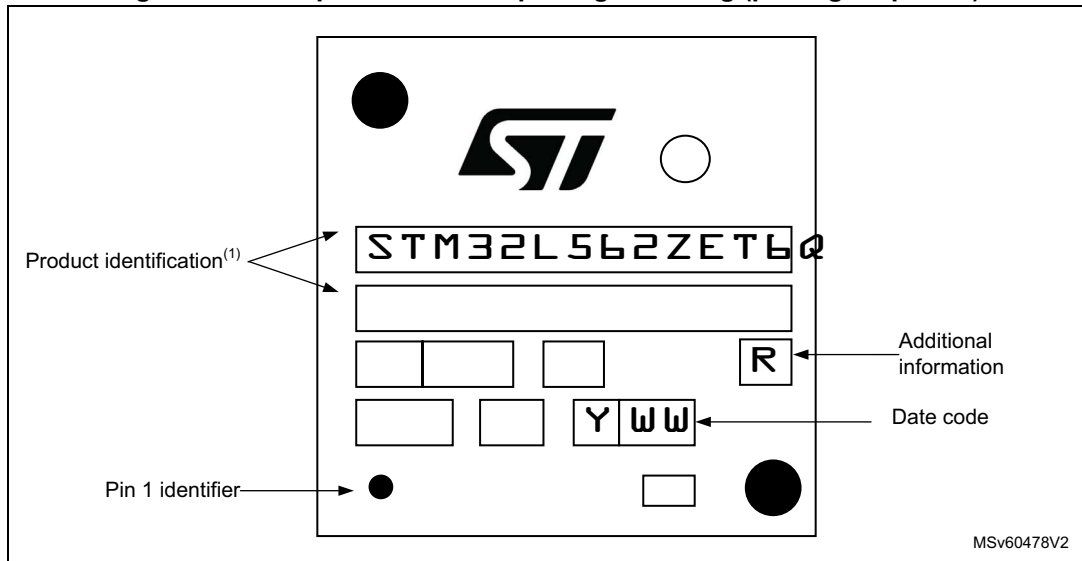
**Device marking for LQFP144**

The following figure gives an example of topside marking orientation versus pin 1 identifier location.

The printed markings may differ depending on the supply chain.

Other optional marking or inset/upset marks, which also depend on supply chain operations, are not indicated below.

Figure 96. Example of LQFP144 package marking (package top view)



1. Parts marked as ES or E or accompanied by an Engineering Sample notification letter are not yet qualified and therefore not approved for use in production. ST is not responsible for any consequences resulting from such use. In no event will ST be liable for the customer using any of these engineering samples in production. ST's Quality department must be contacted prior to any decision to use these engineering samples to run a qualification activity.

## 6.8 Thermal characteristics

The maximum chip-junction temperature,  $T_J \text{ max}$ , in degrees Celsius, may be calculated using the following equation:

$$T_J \text{ max} = T_A \text{ max} + (P_D \text{ max} \times \Theta_{JA})$$

Where:

- $T_A \text{ max}$  is the maximum ambient temperature in °C,
- $\Theta_{JA}$  is the package junction-to-ambient thermal resistance, in °C/W,
- $P_D \text{ max}$  is the sum of  $P_{INT \text{ max}}$  and  $P_{I/O \text{ max}}$  ( $P_D \text{ max} = P_{INT \text{ max}} + P_{I/O \text{ max}}$ ),
- $P_{INT \text{ max}}$  is the product of  $I_{DD}$  and  $V_{DD}$ , expressed in Watts. This is the maximum chip internal power.

$P_{I/O \text{ max}}$  represents the maximum power dissipation on output pins where:

$$P_{I/O \text{ max}} = \sum (V_{OL} \times I_{OL}) + \sum ((V_{DDIOx} - V_{OH}) \times I_{OH}),$$

taking into account the actual  $V_{OL} / I_{OL}$  and  $V_{OH} / I_{OH}$  of the I/Os at low and high level in the application.

**Table 162. Package thermal characteristics**

| Symbol        | Parameter   | Value | Unit |
|---------------|---|-------|------|
| $\Theta_{JA}$ | Thermal resistance junction-ambient<br>LQFP144 20 x 20 mm     | 47.4  | °C/W |
|               | Thermal resistance junction-ambient<br>LQFP100 - 14 x 14 mm   | 49.3  |      |
|               | Thermal resistance junction-ambient<br>LQFP64 10 x 10 mm      | 50.7  |      |
|               | Thermal resistance junction-ambient<br>LQFP48 7 x 7 mm        | 52.3  |      |
|               | Thermal resistance junction-ambient<br>UFQFPN48 7 x 7 mm      | 25.6  |      |
|               | Thermal resistance junction-ambient<br>UFBGA132 7 x 7 mm      | 39.6  |      |
|               | Thermal resistance junction-ambient<br>WLCSP81 4.36 x 4.07 mm | 45    |      |

Table 162. Package thermal characteristics (continued)

| Symbol        | Parameter   | Value | Unit |
|---------------|---|-------|------|
| $\Theta_{JC}$ | Thermal resistance junction-case<br>LQFP144 20 x 20 mm      | 13.5  | °C/W |
|               | Thermal resistance junction-case<br>LQFP100 - 14 x 14 mm    | 14    |      |
|               | Thermal resistance junction-case<br>LQFP64 10 x 10 mm       | 14.2  |      |
|               | Thermal resistance junction-case<br>LQFP48 7 x 7 mm         | 14.4  |      |
|               | Thermal resistance junction-case<br>UFQFPN48 7 x 7 mm       | 1.5   |      |
|               | Thermal resistance junction-case<br>UFBGA132 7 x 7 mm       | 38.1  |      |
|               | Thermal resistance junction-case<br>WLCSP81 4.36 x 4.07 mm  | 1.5   |      |
| $\Theta_{JB}$ | Thermal resistance junction-board<br>LQFP144 20 x 20 mm     | 43.3  | °C/W |
|               | Thermal resistance junction-board<br>LQFP100 - 14 x 14 mm   | 41.5  |      |
|               | Thermal resistance junction-board<br>LQFP64 10 x 10 mm      | 39.5  |      |
|               | Thermal resistance junction-board<br>LQFP48 7 x 7 mm        | 37.4  |      |
|               | Thermal resistance junction-board<br>UFQFPN48 7 x 7 mm      | 13.5  |      |
|               | Thermal resistance junction-board<br>UFBGA132 7 x 7 mm      | 13.2  |      |
|               | Thermal resistance junction-board<br>WLCSP81 4.36 x 4.07 mm | 27    |      |

### 6.8.1 Reference document

JESD51-2 Integrated Circuits Thermal Test Method Environment Conditions - Natural Convection (Still Air). Available from [www.jedec.org](http://www.jedec.org)

### 6.8.2 Selecting the product temperature range

When ordering the microcontroller, the temperature range is specified in the ordering information scheme shown in [Section 7: Ordering information](#).

Each temperature range suffix corresponds to a specific guaranteed ambient temperature at maximum dissipation and, to a specific maximum junction temperature.



As applications do not commonly use the STM32L562xx at maximum dissipation, it is useful to calculate the exact power consumption and junction temperature to determine which temperature range is best suited to the application.

The following examples show how to calculate the temperature range needed for a given application.

### Example 1: High-performance application

Assuming the following application conditions:

Maximum ambient temperature  $T_{Amax} = 82\text{ °C}$  (measured according to JESD51-2),  
 $I_{DDmax} = 50\text{ mA}$ ,  $V_{DD} = 3.5\text{ V}$ , maximum 20 I/Os used at the same time in output at low level with  $I_{OL} = 8\text{ mA}$ ,  $V_{OL} = 0.4\text{ V}$  and maximum 8 I/Os used at the same time in output at low level with  $I_{OL} = 20\text{ mA}$ ,  $V_{OL} = 1.3\text{ V}$

$$P_{INTmax} = 50\text{ mA} \times 3.5\text{ V} = 175\text{ mW}$$

$$P_{IOmax} = 20 \times 8\text{ mA} \times 0.4\text{ V} + 8 \times 20\text{ mA} \times 1.3\text{ V} = 272\text{ mW}$$

This gives:  $P_{INTmax} = 175\text{ mW}$  and  $P_{IOmax} = 272\text{ mW}$ :

$$P_{Dmax} = 175 + 272 = 447\text{ mW}$$

Using the values obtained in  $T_{Jmax}$  is calculated as follows:

– For LQFP100,  $49.3\text{ °C/W}$

$$T_{Jmax} = 82\text{ °C} + (49.3\text{ °C/W} \times 447\text{ mW}) = 82\text{ °C} + 22.04\text{ °C} = 104.04\text{ °C}$$

This is within the range of the suffix 6 version parts ( $-40 < T_J < 105\text{ °C}$ ) see [Section 7: Ordering information](#).

In this case, parts must be ordered at least with the temperature range suffix 6 (see [Section 7: Ordering information](#)).

*Note:* With this given  $P_{Dmax}$  we can find the  $T_{Amax}$  allowed for a given device temperature range (order code suffix 6 or 7).

$$\text{Suffix 6: } T_{Amax} = T_{Jmax} - (49.3\text{ °C/W} \times 447\text{ mW}) = 105 - 22.03 = 82.97\text{ °C}$$

$$\text{Suffix 3: } T_{Amax} = T_{Jmax} - (49.3\text{ °C/W} \times 447\text{ mW}) = 130 - 22.03 = 107.97\text{ °C}$$

### Example 2: High-temperature application

Using the same rules, it is possible to address applications that run at high ambient temperatures with a low dissipation, as long as junction temperature  $T_J$  remains within the specified range.

Assuming the following application conditions:

Maximum ambient temperature  $T_{Amax} = 100\text{ °C}$  (measured according to JESD51-2),  
 $I_{DDmax} = 20\text{ mA}$ ,  $V_{DD} = 3.5\text{ V}$ , maximum 20 I/Os used at the same time in output at low level with  $I_{OL} = 8\text{ mA}$ ,  $V_{OL} = 0.4\text{ V}$

$$P_{INTmax} = 20\text{ mA} \times 3.5\text{ V} = 70\text{ mW}$$

$$P_{IOmax} = 20 \times 8\text{ mA} \times 0.4\text{ V} = 64\text{ mW}$$

This gives:  $P_{INTmax} = 70\text{ mW}$  and  $P_{IOmax} = 64\text{ mW}$ :

$$P_{Dmax} = 70 + 64 = 134\text{ mW}$$

Thus:  $P_{Dmax} = 134\text{ mW}$

Using the values obtained in  $T_{Jmax}$  is calculated as follows:

– For LQFP100, 49.3 °C/W

$$T_{Jmax} = 100\text{ °C} + (49.3\text{ °C/W} \times 134\text{ mW}) = 100\text{ °C} + 6.6\text{ °C} = 106.6\text{ °C}$$

This is above the range of the suffix 6 version parts ( $-40 < T_J < 105\text{ °C}$ ).

In this case, parts must be ordered at least with the temperature range suffix 3 (see [Section 7: Ordering information](#)) unless we reduce the power dissipation in order to be able to use suffix 6 parts.

# 7 Ordering information

**Table 163. STM32L562xx ordering information scheme**

| Example:   | STM32   | L | 562 | V | E | T | 6 | Q | TR |
|--|---|---|-----|---|---|---|---|---|----|
| <b>Device family</b>   | <div style="border: 1px solid black; padding: 5px;"> <p>STM32 = Arm® based 32-bit microcontroller</p> <p><b>Product type</b><br/>L = ultra-low-power</p> <p><b>Device subfamily</b><br/>562 = STM32L562xx with AES, PKA, OTFDEC</p> <p><b>Pin count</b><br/>C = 48 pins<br/>R = 64 pins<br/>M = 81 pins<br/>V = 100 pins<br/>Q = 132 balls<br/>Z = 144 pins</p> <p><b>Flash memory size</b><br/>E = 512 Kbytes of Flash memory</p> <p><b>Package</b><br/>T = LQFP<br/>I = UFBGA<br/>U = UFQFPN<br/>Y = WLCSP</p> <p><b>Temperature range</b><br/>6 = Industrial temperature range, -40 to 85 °C (105 °C junction)<br/>3 = Industrial temperature range, -40 to 125 °C (130°C junction)</p> <p><b>Dedicated pinout</b><br/>Q = Dedicated pinout supporting SMPS step down converter<br/>P = Dedicated pinout supporting external SMPS</p> <p><b>Packing</b><br/>TR = tape and reel<br/>xxx = programmed parts</p> </div> |   |     |   |   |   |   |   |    |
| STM32 = Arm® based 32-bit microcontroller                        |   |   |     |   |   |   |   |   |    |
| <b>Product type</b>  |   |   |     |   |   |   |   |   |    |
| L = ultra-low-power  |   |   |     |   |   |   |   |   |    |
| <b>Device subfamily</b>  |   |   |     |   |   |   |   |   |    |
| 562 = STM32L562xx with AES, PKA, OTFDEC                          |   |   |     |   |   |   |   |   |    |
| <b>Pin count</b>   |   |   |     |   |   |   |   |   |    |
| C = 48 pins  |   |   |     |   |   |   |   |   |    |
| R = 64 pins  |   |   |     |   |   |   |   |   |    |
| M = 81 pins  |   |   |     |   |   |   |   |   |    |
| V = 100 pins   |   |   |     |   |   |   |   |   |    |
| Q = 132 balls  |   |   |     |   |   |   |   |   |    |
| Z = 144 pins   |   |   |     |   |   |   |   |   |    |
| <b>Flash memory size</b>   |   |   |     |   |   |   |   |   |    |
| E = 512 Kbytes of Flash memory                                   |   |   |     |   |   |   |   |   |    |
| <b>Package</b>   |   |   |     |   |   |   |   |   |    |
| T = LQFP   |   |   |     |   |   |   |   |   |    |
| I = UFBGA  |   |   |     |   |   |   |   |   |    |
| U = UFQFPN   |   |   |     |   |   |   |   |   |    |
| Y = WLCSP  |   |   |     |   |   |   |   |   |    |
| <b>Temperature range</b>   |   |   |     |   |   |   |   |   |    |
| 6 = Industrial temperature range, -40 to 85 °C (105 °C junction) |   |   |     |   |   |   |   |   |    |
| 3 = Industrial temperature range, -40 to 125 °C (130°C junction) |   |   |     |   |   |   |   |   |    |
| <b>Dedicated pinout</b>  |   |   |     |   |   |   |   |   |    |
| Q = Dedicated pinout supporting SMPS step down converter         |   |   |     |   |   |   |   |   |    |
| P = Dedicated pinout supporting external SMPS                    |   |   |     |   |   |   |   |   |    |
| <b>Packing</b>   |   |   |     |   |   |   |   |   |    |
| TR = tape and reel   |   |   |     |   |   |   |   |   |    |
| xxx = programmed parts   |   |   |     |   |   |   |   |   |    |

1. All packages are ECOPACK2 (RoHS compliant and free of brominated, chlorinated and antimony-oxide flame retardants).
2. For a list of available options (speed, package, etc.) or for further information on any aspect of this device, please contact your nearest ST sales office.

## 8 Revision history

**Table 164. Document revision history**

| Date        | Revision | Changes  |
|-------------|----------|--|
| 04-Oct-2019 | 1        | Initial release  |
| 11-Feb-2020 | 2        | <p>Updated <a href="#">Section : Features</a>.</p> <p>Updated <a href="#">Table 2: STM32L562xx features and peripheral counts</a>.</p> <p>Updated <a href="#">Figure 1: STM32L562xx block diagram</a>.</p> <p>Updated <a href="#">Section 3.1: Arm® Cortex®-M33 core with TrustZone® and FPU</a>.</p> <p>Updated <a href="#">Section 3.2: Art Accelerator – instruction cache (ICACHE)</a>.</p> <p>Updated <a href="#">Section 3.3: Memory protection unit</a>.</p> <p>Updated <a href="#">Section 3.4: Embedded Flash memory</a>.</p> <p>Updated <a href="#">Section 3.6: Boot modes</a>.</p> <p>Updated <a href="#">Table 5: Boot space versus RDP protection</a>.</p> <p>Updated <a href="#">Table 7: Securable peripherals by TZSC</a>.</p> <p>Updated <a href="#">Table 10: STM32L562xx modes overview</a>.</p> <p>Updated <a href="#">Table 11: Functionalities depending on the working mode</a>.</p> <p>Updated <a href="#">Table 12: STM32L562xx peripherals interconnect matrix</a>.</p> <p>Updated <a href="#">Figure 7: STM32L562xx clock tree</a>.</p> <p>Updated <a href="#">Section 3.17.1: Nested vectored interrupt controller (NVIC)</a>.</p> <p>Updated <a href="#">Section 3.21: Analog-to-digital converter (ADC)</a>.</p> <p>Removed information related to UFBGA132_ExtSMPS in <a href="#">Section 4: Pinouts and pin description</a>.</p> <p>Updated <a href="#">Table 24: Voltage characteristics</a>.</p> <p>Updated <a href="#">Table 27: General operating conditions</a>.</p> <p>Updated <a href="#">Table 33: Current consumption in Run and Low-power run modes, code with data processing running from Flash in single Bank, ICACHE ON in 2-way</a>.</p> <p>Updated <a href="#">Table 36: Current consumption in Run mode, code with data processing running from Flash in single bank, ICACHE ON in 2-way and power supplied by internal SMPS step down converter</a>.</p> <p>Updated <a href="#">Table 37: Current consumption in Run mode, code with data processing running from Flash in single bank, ICACHE ON in 1-way and power supplied by internal SMPS step down converter</a>.</p> |

**Table 164. Document revision history**

| Date        | Revision         | Changes   |
|-------------|------------------|---|
| 11-Feb-2020 | 2<br>(continued) | <p>Updated <a href="#">Table 38: Current consumption in Run mode, code with data processing running from Flash in single bank, ICACHE disabled and power supplied by internal SMPS step down converter.</a></p> <p>Updated <a href="#">Table 42: Current consumption in Run mode, code with data processing running from Flash in dual bank, ICACHE ON in 2-way and power supplied by internal SMPS step down converter.</a></p> <p>Updated <a href="#">Table 43: Current consumption in Run mode, code with data processing running from Flash in dual bank, ICACHE ON in 1-way and power supplied by internal SMPS step down converter.</a></p> <p>Updated <a href="#">Table 44: Current consumption in Run mode, code with data processing running from Flash in dual bank, ICACHE disabled and power supplied by internal SMPS step down converter.</a></p> <p>Updated <a href="#">Table 46: Current consumption in Run mode, code with data processing running from SRAM1 and power supplied by internal SMPS step down converter.</a></p> <p>Updated <a href="#">Table 47: Current consumption in Run and Low-power run modes, code with data processing running from SRAM2.</a></p> <p>Updated <a href="#">Table 48: Current consumption in Run mode, code with data processing running from SRAM2 and power supplied by internal SMPS step down converter.</a></p> <p>Updated <a href="#">Table 61: Current consumption in Sleep mode, Flash ON and power supplied by internal SMPS step down converter.</a></p> <p>Updated <a href="#">Table 76: Current consumption in Stop 2 mode.</a></p> <p>Updated <a href="#">Table 77: Current consumption in Stop 1 mode..</a></p> <p>Updated <a href="#">Table 79: Current consumption in Standby mode.</a></p> <p>Updated <a href="#">Table 80: Current consumption in Shutdown mode.</a></p> <p>Updated <a href="#">Table 81: Current consumption in VBAT mode.</a></p> <p>Updated <a href="#">Table 83: Low-power mode wakeup timings.</a></p> <p>Updated <a href="#">Table 99: ESD absolute maximum ratings.</a></p> <p>Updated <a href="#">Table 102: I/O static characteristics.</a></p> <p>Updated <a href="#">Table 103: Output voltage characteristics.</a></p> <p>Updated <a href="#">Table 104: I/O AC characteristics (All I/Os except FT_c).</a></p> <p>Updated <a href="#">Table 111: ADC accuracy - limited test conditions 1.</a></p> <p>Updated <a href="#">Table 112: ADC accuracy - limited test conditions 2.</a></p> |

**Table 164. Document revision history**

| Date        | Revision         | Changes  |
|-------------|------------------|--|
| 11-Feb-2020 | 2<br>(continued) | <p>Updated <a href="#">Table 113: ADC accuracy - limited test conditions 3</a>.</p> <p>Updated <a href="#">Table 114: ADC accuracy - limited test conditions 4</a>.</p> <p>Updated <a href="#">Table 117: VREFBUF characteristics</a>.</p> <p>Updated <a href="#">Table 119: OPAMP characteristics</a>.</p> <p>Updated <a href="#">Table 123: Temp and VDD monitoring characteristics</a>.</p> <p>Updated <a href="#">Table 129: SPI characteristics</a>.</p> <p>Updated <a href="#">Table 130: SAI characteristics</a>.</p> <p>Updated <a href="#">Table 146: OCTOSPI characteristics in SDR mode</a>.</p> <p>Updated <a href="#">Table 147: OCTOSPI characteristics in DTR mode (no DQS)</a>.</p> <p>Updated <a href="#">Table 148: OCTOSPI characteristics in DTR mode (with DQS)/Octal and HyperBus</a>.</p>   |
| 12-May-2020 | 3                | <p>Updated</p> <ul style="list-style-type: none"> <li>– <a href="#">Section 2: Description</a></li> <li>– <a href="#">Figure 1: STM32L562xx block diagram</a></li> <li>– <a href="#">Figure 2: STM32L562xx power supply overview</a></li> <li>– <a href="#">Figure 3: STM32L562xxxP power supply overview</a></li> <li>– <a href="#">Figure 12: STM32L562xx UFQFPN48 pinout</a></li> <li>– <a href="#">Figure 13: STM32L562xxxP UFQFPN48 external SMPS pinout</a></li> <li>– <a href="#">Section 5.3.2: SMPS step-down converter</a></li> <li>– <a href="#">Table 20: Legend/abbreviations used in the pinout table</a></li> </ul> <p>Updated title of <a href="#">Table 36</a>, <a href="#">Table 37</a>, <a href="#">Table 38</a>, <a href="#">Table 42</a>, <a href="#">Table 43</a>, <a href="#">Table 44</a>, <a href="#">Table 46</a>, <a href="#">Table 48</a>, <a href="#">Table 50</a>, <a href="#">Table 52</a>, <a href="#">Table 54</a>, <a href="#">Table 56</a>, <a href="#">Table 58</a>, <a href="#">Table 61</a>.</p> <p>Added:</p> <ul style="list-style-type: none"> <li>– <a href="#">Table 28: SMPS modes summary</a></li> <li>– <a href="#">Table 29: SMPS characteristics</a></li> <li>– <a href="#">Table 62: Current consumption in Run mode, code with data processing running from Flash in single bank, ICACHE ON in 2-way and power supplied by external SMPS</a>.</li> <li>– <a href="#">Table 63: Current consumption in Run mode, code with data processing running from Flash in single bank, ICACHE ON in 1-way and power supplied by external SMPS</a>.</li> <li>– <a href="#">Table 64: Current consumption in Run mode, code with data processing running from Flash in single bank, ICACHE disabled and power supplied by external SMPS..</a></li> </ul> |

**Table 164. Document revision history**

| Date        | Revision         | Changes   |
|-------------|------------------|---|
| 12-May-2020 | 3<br>(continued) | <ul style="list-style-type: none"> <li>– <i>Table 65: Current consumption in Run mode, code with data processing running from Flash in dual bank, ICACHE on in 2-way and power supplied by external SMPS.</i></li> <li>– <i>Table 66: Current consumption in Run mode, code with data processing running from Flash in dual bank, ICACHE on in 1-way and power supplied by external SMPS.</i></li> <li>– <i>Table 67: Current consumption in Run mode, code with data processing running from Flash in dual bank, ICACHE disabled and power supplied by external SMPS</i></li> <li>– <i>Table 68: Current consumption in Run mode, code with data processing running from SRAM1, and power supplied by external SMPS.</i></li> <li>– <i>Table 69: Current consumption in Run mode, code with data processing running from SRAM2, and power supplied by external SMPS.</i></li> <li>– <i>Table 70: Current consumption in Sleep mode, Flash ON and power supplied by external SMPS.</i></li> <li>– <i>Table 71: Current consumption in Run mode, code with data processing running from Flash, ICACHE on (2-way) and power supplied by external SMPS</i></li> <li>– <i>Table 72: Current consumption in Run mode, code with data processing running from Flash, ICACHE on (1-way) and power supplied by external SMPS</i></li> <li>– <i>Table 73: Current consumption in Run mode, code with data processing running from Flash, ICACHE disabled and power supplied by external SMPS</i></li> <li>– <i>Table 74: Current consumption in Run mode, code with data processing running from SRAM1, and power supplied by external SMPS</i></li> <li>– <i>Table 75: Current consumption in Run mode, code with data processing running from SRAM2, and power supplied by external SMPS</i></li> </ul> <p>Updated:</p> <ul style="list-style-type: none"> <li>– <i>Table 102: I/O static characteristics.</i></li> <li>– <i>Table 146: OCTOSPI characteristics in SDR mode.</i></li> <li>– <i>Table 147: OCTOSPI characteristics in DTR mode (no DQS)</i></li> <li>– <i>Table 148: OCTOSPI characteristics in DTR mode (with DQS)/Octal and HyperBus</i></li> <li>– <i>Table 150: Dynamics characteristics: SD / eMMC characteristics, VDD=2.7V to 3.6 V</i></li> <li>– <i>Table 151: Dynamics characteristics: eMMC characteristics VDD=1.71 V to 1.9 V</i></li> </ul> |

Table 164. Document revision history

| Date        | Revision | Changes  |
|-------------|----------|--|
| 29-Sep-2020 | 4        | Updated: <ul style="list-style-type: none"> <li>– <a href="#">Table 10: STM32L562xx modes overview.</a></li> <li>– <a href="#">Table 14: Temperature sensor calibration values</a></li> <li>– <a href="#">Table 21: STM32L562xx pin definitions</a></li> <li>– <a href="#">Table 77: Current consumption in Stop 1 mode</a></li> <li>– <a href="#">Table 80: Current consumption in Shutdown mode.</a></li> <li>– <a href="#">Table 83: Low-power mode wakeup timings</a></li> <li>– <a href="#">Table 117: VREFBUF characteristics</a></li> <li>– <a href="#">Table 121: V<sub>BAT</sub> monitoring characteristics</a></li> <li>– <a href="#">Section 3.28: True random number generator (RNG)</a></li> </ul> Added <ul style="list-style-type: none"> <li>– <a href="#">Figure 46: VREFBUF in case VRS = 0</a></li> <li>– <a href="#">Figure 47: VREFBUF in case VRS = 1</a></li> </ul> |



**IMPORTANT NOTICE – PLEASE READ CAREFULLY**

STMicroelectronics NV and its subsidiaries (“ST”) reserve the right to make changes, corrections, enhancements, modifications, and improvements to ST products and/or to this document at any time without notice. Purchasers should obtain the latest relevant information on ST products before placing orders. ST products are sold pursuant to ST’s terms and conditions of sale in place at the time of order acknowledgement.

Purchasers are solely responsible for the choice, selection, and use of ST products and ST assumes no liability for application assistance or the design of Purchasers’ products.

No license, express or implied, to any intellectual property right is granted by ST herein.

Resale of ST products with provisions different from the information set forth herein shall void any warranty granted by ST for such product.

ST and the ST logo are trademarks of ST. For additional information about ST trademarks, please refer to [www.st.com/trademarks](http://www.st.com/trademarks). All other product or service names are the property of their respective owners.

Information in this document supersedes and replaces information previously supplied in any prior versions of this document.

© 2020 STMicroelectronics – All rights reserved