

THIS DRAWING IS UNPUBLISHED.

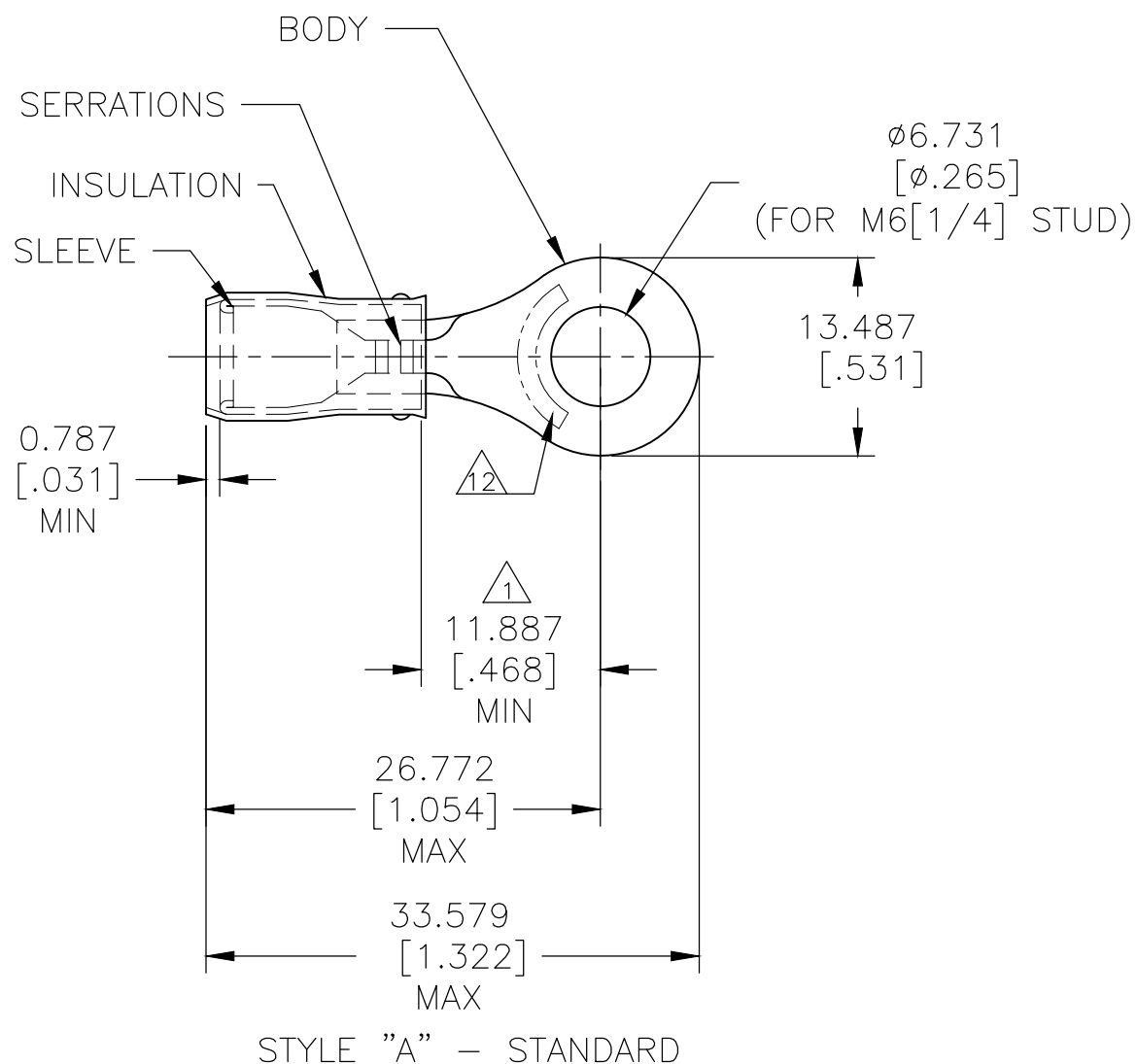
RELEASED FOR PUBLICATION

ALL RIGHTS RESERVED.

© COPYRIGHT - By -

REVISIONS

P	LTR	DESCRIPTION	DATE	DWN	APVD
	U1	REVISED PER ECO-17-007400	19DEC2017	RS	DR
	U2	REVISED PER ECO-19-007720	21MAY2020	KR	DR



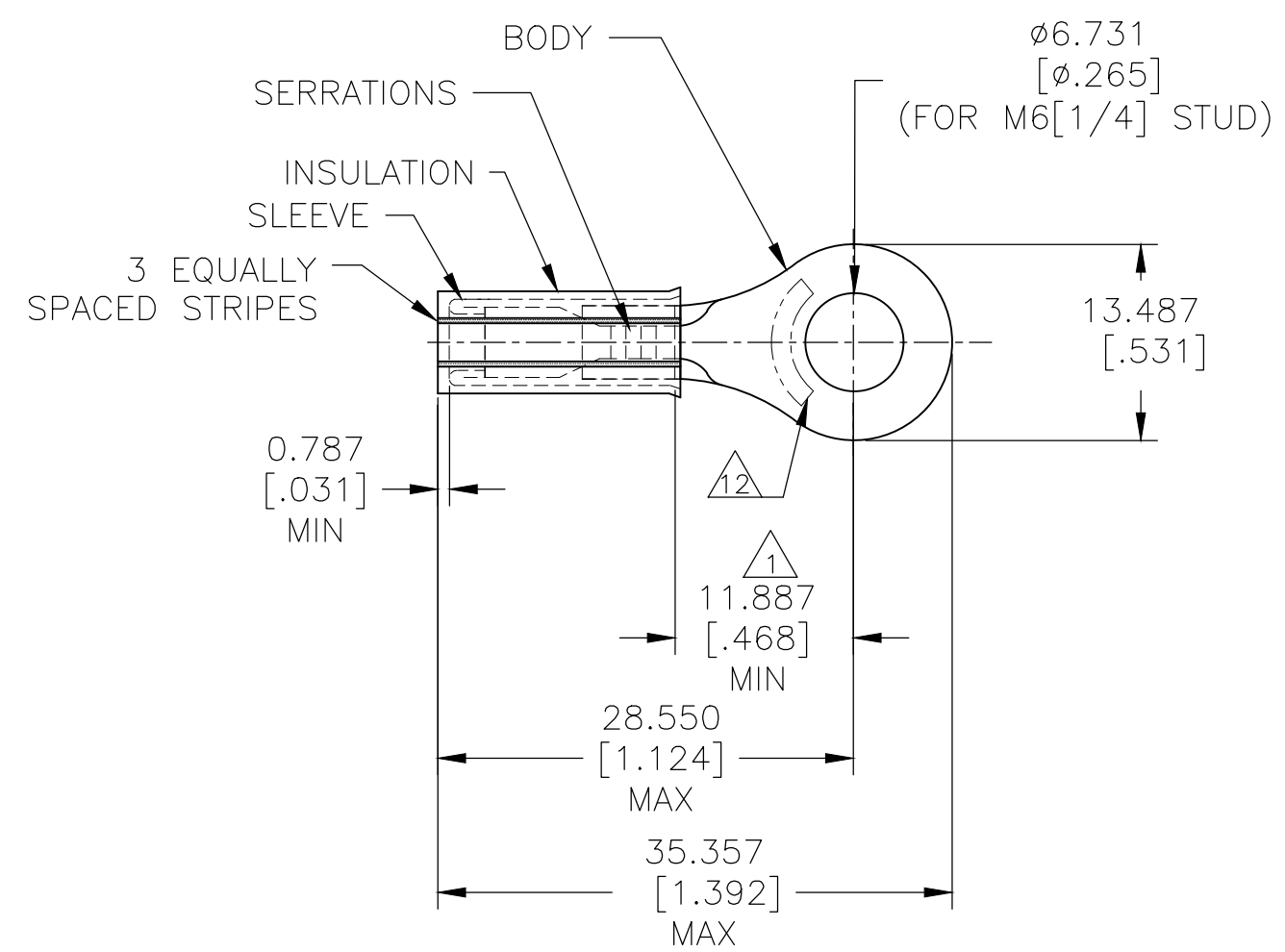
- 1 APPLIES FROM EDGE OF METAL WIRE BARREL TO CENTER OF STUD HOLE.
- 2 BODY MATERIAL THK 1.016±0.051 [.040±.002]
- 3 105°C[221°F] MAX OPERATING TEMPERATURE
- 4 300 VOLT MAX.
- 5 CIRCULAR MIN AREA: 2.62-6.64 mm<sup>2</sup> [5180-13100] SOLID OR STRANDED.
- 6 UL LISTED E13288 12-10 AWG STRANDED.
- 7 CSA CERTIFIED LR7189 12-10 AWG SOLID OR STRANDED.
- 8 MILITARY MS25036-157 CLASS 1.
- 9 MILITARY MS25036-157 CLASS 2.
- 10 MATERIAL:  
BODY & SLEEVE: COPPER PER ASTM B-152  
INSULATION: NYLON PER ASTM D-4066, TYPE 1.
- 11 FINISH:  
BODY & SLEEVE: TIN PLATE PER ASTM B-545  
INSULATION: COLOR-YELLOW.
- 12 STAMP AMP SEE TABLE, APPROX AS SHOWN.

		2500	NONE	12-10	3.810-5.842 [.150-.230]	12-10*	"A"	ON TAPE		2-320569-3	
		500	NONE	12-10	3.810-5.842 [.150-.230]	12-10*	"A"	LOOSE PIECE			320569
QTY	COLOR STRIPE	WIRE SIZE	FOR WIRE INSULATION OD	STAMP	STYLE	PACKAGING	PART NO.				

THIS DRAWING IS A CONTROLLED DOCUMENT.		DWN RAGHAVENDRA 08SEP2008	TE Connectivity		
		CHK T MICHIELUTTI 08SEP2008			
DIMENSIONS: mm [INCHES]		APVD T MICHIELUTTI 08SEP2008	NAME		
TOLERANCES UNLESS OTHERWISE SPECIFIED: 0 PLC ± - 1 PLC ± - 2 PLC ± - 3 PLC ± 0.127[.005] 4 PLC ± - ANGLES ± 0°30'		PRODUCT SPEC UL 486 A-B		TERMINAL RING TONGUE, NYLON, PIDG, WIRE SIZE: 12-10 AWG	
MATERIAL		APPLICATION SPEC 114-2157		SIZE	RESTRICTED TO
FINISH		WEIGHT -		CAGE CODE A300779	DRAWING NO C-320569
CUSTOMER DRAWING			SCALE 2:1	SHEET 1 OF 2	REV U2

THIS DRAWING IS UNPUBLISHED. RELEASED FOR PUBLICATION  
 © COPYRIGHT - By - ALL RIGHTS RESERVED.

REVISIONS					
P	LTR	DESCRIPTION	DATE	DWN	APVD
-	-	SEE SHEET 1	-	-	-



STYLE "B" - INSULATION RESTRICTING

- 1 APPLIES FROM EDGE OF METAL WIRE BARREL TO CENTER OF STUD HOLE.
- 2 BODY MATERIAL THK 1.016±0.051 [.040±.002]
- 3 105°C[221°F] MAX OPERATING TEMPERATURE
- 4 300 VOLT MAX.
- 5 CIRCULAR MIN AREA: 2.62-6.64 mm<sup>2</sup> [5180-13100] SOLID OR STRANDED.
- 6 MILITARY M7928/1-59 CLASS 1.
- 7 MILITARY M7928/1-66 CLASS 1.
- 8 MILITARY M7928/1-59 CLASS 2.
- 9 MILITARY M7928/1-66 CLASS 2.
- 10 MATERIAL:  
BODY & SLEEVE: COPPER PER ASTM B-152  
INSULATION: NYLON PER ASTM D-4066, TYPE 1.
- 11 FINISH:  
BODY: TIN PLATE PER ASTM B-545  
SLEEVE: NICKEL PLATE PER QQ-N-290  
INSULATION: COLOR-YELLOW.
- 12 STAMP AMP SEE TABLE, APPROX AS SHOWN.
- 13 CSA CERTIFIED STRANDED

13	500	BROWN	10	3.023-5.080 [.119-.200]	10*	"B"	LOOSE PIECE	7 9 2-320569-6
13	500	YELLOW	12	2.413-5.080 [.095-.200]	12*	"B"	LOOSE PIECE	6 8 2-320569-5
	QTY	COLOR STRIPE	WIRE SIZE	FOR WIRE INSULATION OD	STAMP	STYLE	PACKAGING	PART NO.

THIS DRAWING IS A CONTROLLED DOCUMENT.		DWN RAGHAVENDRA 08SEP2008	<b>STE</b> TE Connectivity		
DIMENSIONS: mm [INCHES]		CHK T MICHELUTTI 08SEP2008			
TOLERANCES UNLESS OTHERWISE SPECIFIED:		APVD T MICHELUTTI 08SEP2008	NAME		
0 PLC ± -		PRODUCT SPEC			
1 PLC ± -		APPLICATION SPEC			
2 PLC ± -		114-2157			
3 PLC ± 0.127[.005]		WEIGHT -			
4 PLC ± -		SIZE A3		CAGE CODE 00779	DRAWING NO C-320569
ANGLES ± 0°30'		RESTRICTED TO -		SCALE 2:1	
MATERIAL 10		FINISH 11		SHEET 2 OF 2	
CUSTOMER DRAWING			REV U2		