

C3216NP01H223J060AA

TDK Item Description : C3216NP01H223JT****

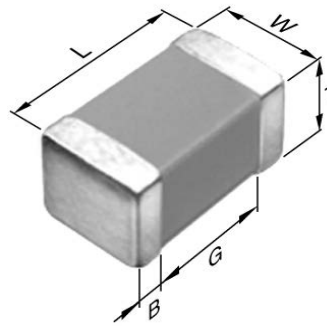


Application & Main Feature

Commercial Grade (High Temperature Application)

Series

C3216 [EIA 1206]



Dimensions

L	3.20mm ±0.20mm
W	1.60mm ±0.20mm
T	0.60mm ±0.15mm
B	0.20mm Min.
G	1.00mm Min.

Temperature Characteristic

NP0 (-55 to 150 degC 0+/-30ppm/degC)

Rated Voltage

1H(50Vdc)

Capacitance

22nF

Capacitance Tolerance

J (±5%)

Q Factor

1000 Min.

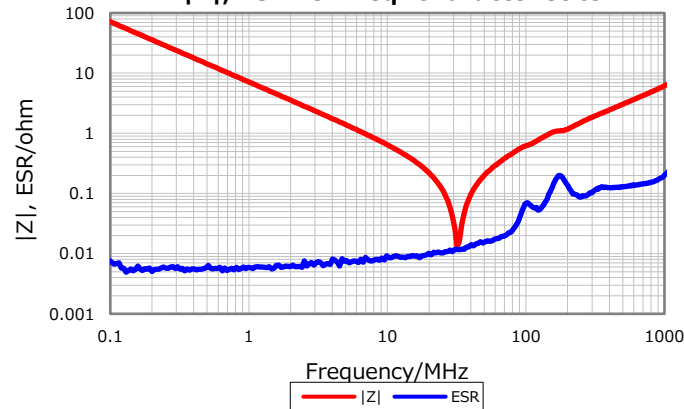
Insulation Resistance

10Gohm Min

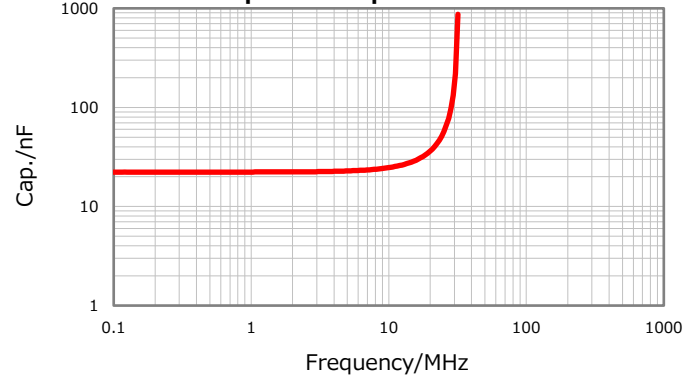
AEC-Q200

Not Applicable

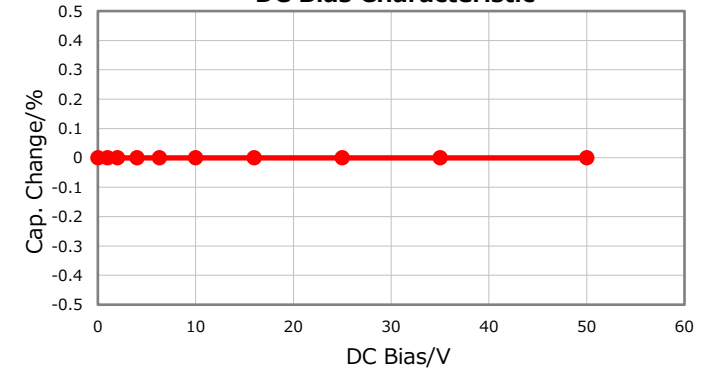
|Z|, ESR vs. Freq. Characteristics



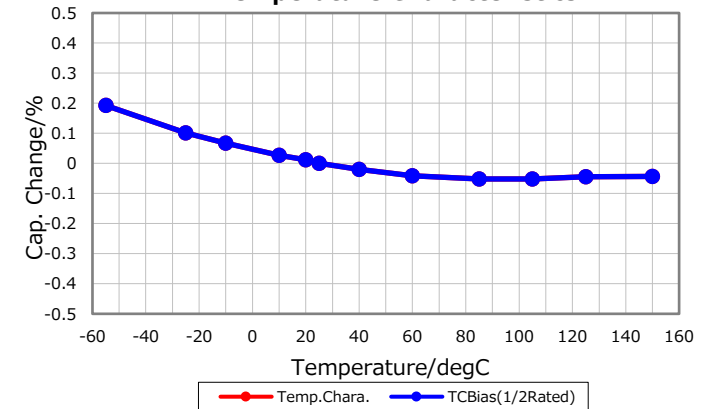
Cap. vs. Freq. Characteristic



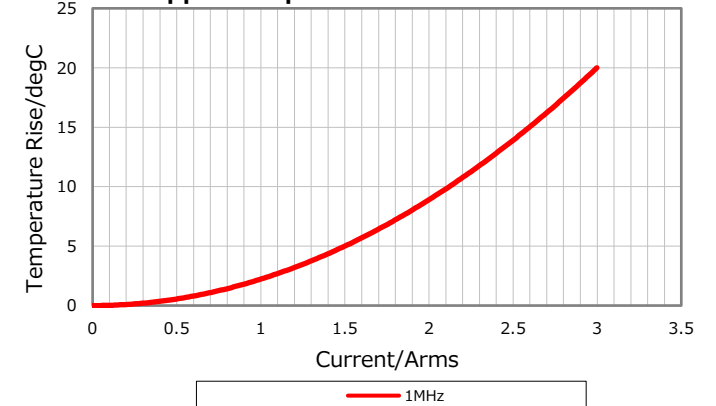
DC Bias Characteristic



Temperature Characteristics



Ripple Temperature Rise Characteristics



Characterization Sheet (Multilayer Ceramic Chip Capacitors)



All specifications are subject to change without notice.

May 22, 2019