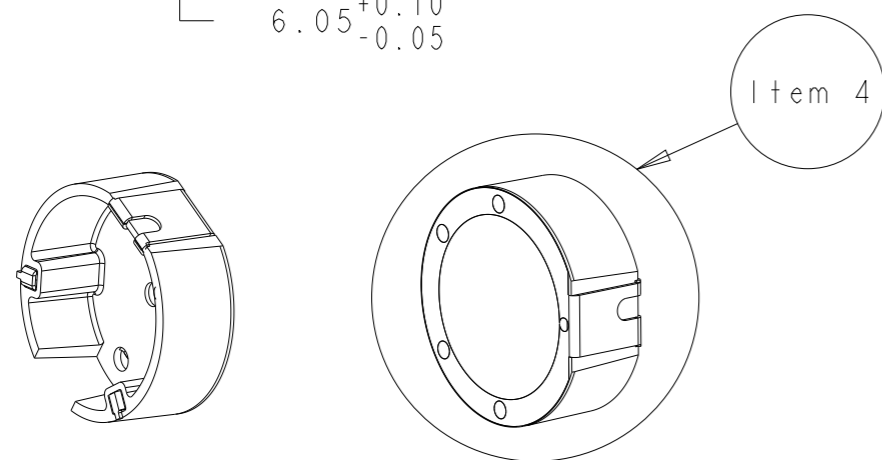
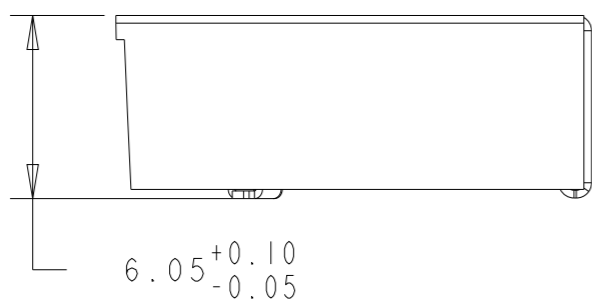
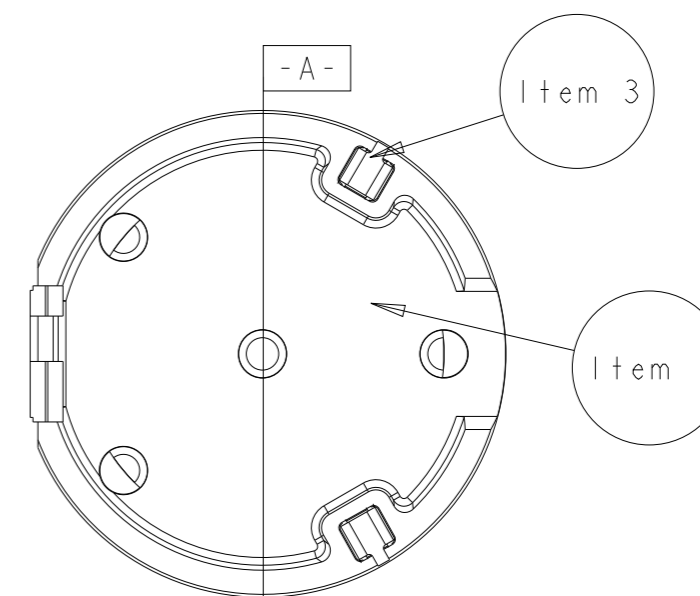
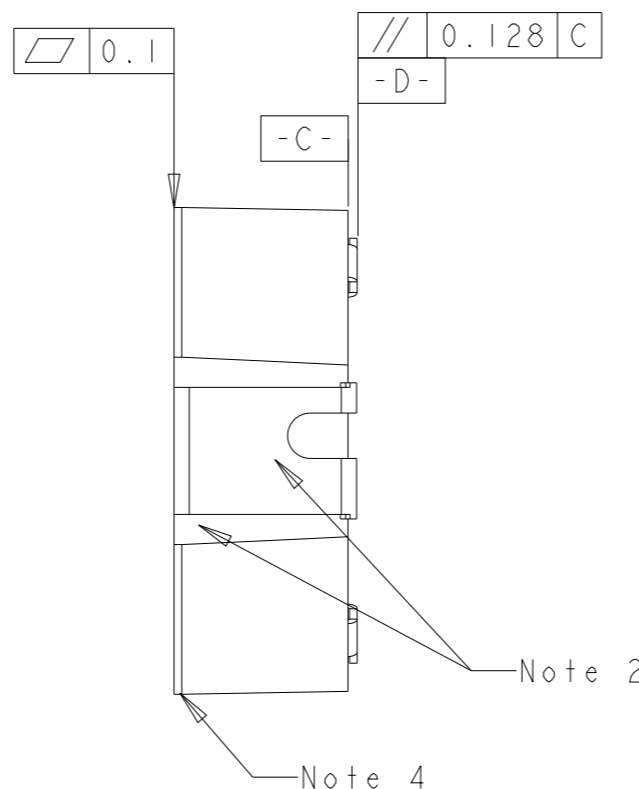
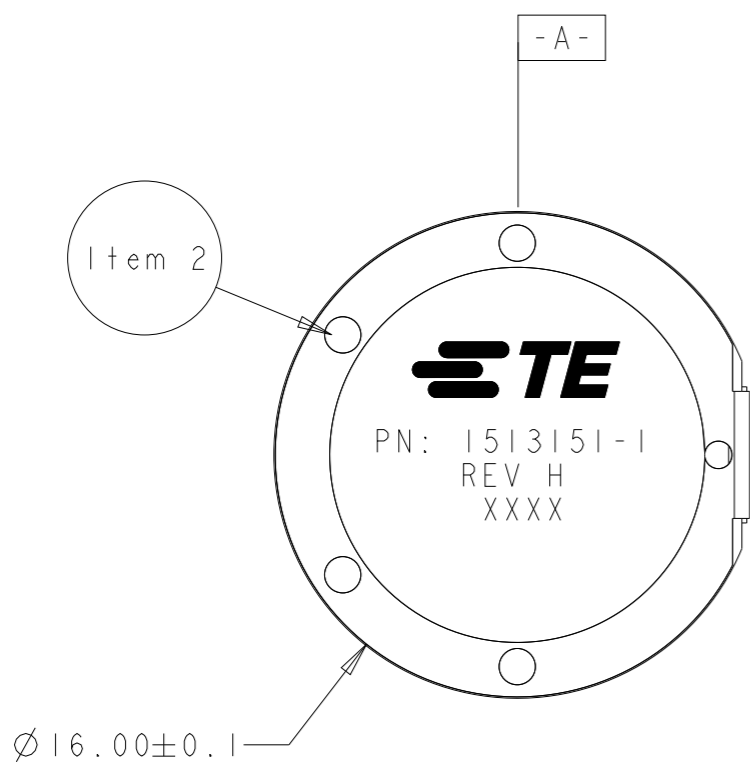


P	LTR	DESCRIPTION	DATE	DWN	APVD
	G1	REVISED PER ECO-11-005027	12MAR2011	RK	HMR
	H	REVISED PER ECN-21-116564	07SEP2021	DW	CY



1513151-1
SCALE 2:1

NOTES:

1. Material - Dow Questra WA550, 30% glass filled, natural color.
2. Item 2 insert molded into Item 1. Flat side wall of Item 2 to be flush with flat side wall in Item 1.
3. Item 3 press fit into Item 4.
4. No air gaps between components
5. General tolerance block applies unless otherwise specified.

ITEM NO.	QTY.	DESCRIPTION
1	1	OVERMOLDED METAL RING
2	1	METAL RING
3	2	ANCHOR TAB
4	1	ASSEMBLY

THIS DRAWING IS A CONTROLLED DOCUMENT.		DWN DJI	06OCT2003	STE TE Connectivity	
DIMENSIONS: mm		CHK -	APVD -		
TOLERANCES UNLESS OTHERWISE SPECIFIED:		PRODUCT SPEC -		SIZE A3	
0 PLC ±0.10		APPLICATION SPEC -		CAGE CODE 300779	DRAWING NO C-1513151
1 PLC ±0.10		WEIGHT -		RESTRICTED TO	
2 PLC ±0.05		CUSTOMER DRAWING		SCALE 4:1	SHEET 1 OF 1
3 PLC ±0.05				REV H	
4 PLC ±0.01					
ANGLES ±1°					
FINISH -					