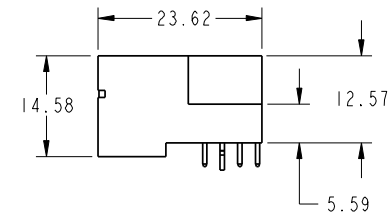
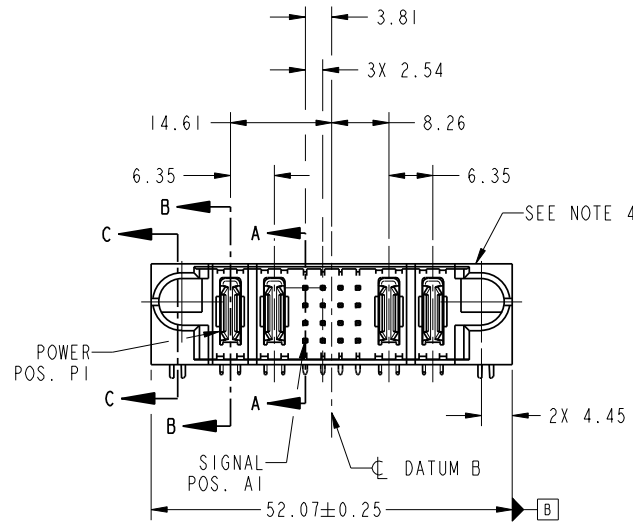
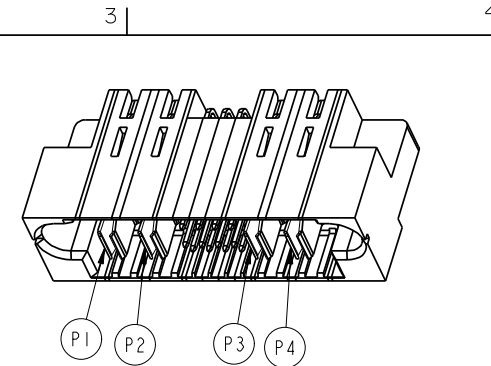


Tous droits strictement réservés. Reproduction ou communication o des liens interdite sous quelque forme que ce soit sans autorisation écrite du propriétaire. Propriete de c FCI. Droits de reproduction FCI.



All rights strictly reserved. Reproduction or issue to third parties in any form whatever is not permitted without written authority from the proprietor. Property of FCI. Copyright FCI.

PRODUCT NO.	ROWS	POWER		SIGNAL				POWER		E2	
		E1	P1	P2	1	2	3	4	P3		P4
51730-141-- NOTE 3	D C B A		PA	PA	HHHH	GGGG	SSSS	EEEE	PA	PA	



CODE	DIM "M" MATING LENGTH	DIM "W" MIN WIPE LENGTH	CONTACT TYPE
S	6.86	3.86	SIGNAL
PA	N/A	N/A	POWER
HA	N/A	N/A	HOLD-DOWN
G	5.59	2.59	SIGNAL
H	5.59	2.59	SIGNAL
E	5.59	2.59	SIGNAL

mat'l code				SEE NOTE		tolerances unless otherwise specified		CUSTOMER	
lfr	ecn no.	dr	date	linear	0.X ±0.5	projection		www.fciconnect.com	
A	DG08-0044	JC	02/26/08	angles	0.XX ±0.25	MM		title	
				dr	0.XXX ±0.1	1:1		2P + 16S + 2P RIGHT ANGLE SOLDER HEADER	
				engr	0° +2°			product family	
				chr				PwrBlade	
				appd				code	
								213	
sheet index	revision sheet	A	A	A	A			sheet	
		1	2	3	4			1 of 4	

size		dwg no		code	
A		51730-141		213	
scale		1:1		sheet	
				1 of 4	

Pro/E

cage code 22526

PDM: Rev:A

STATUS: Released

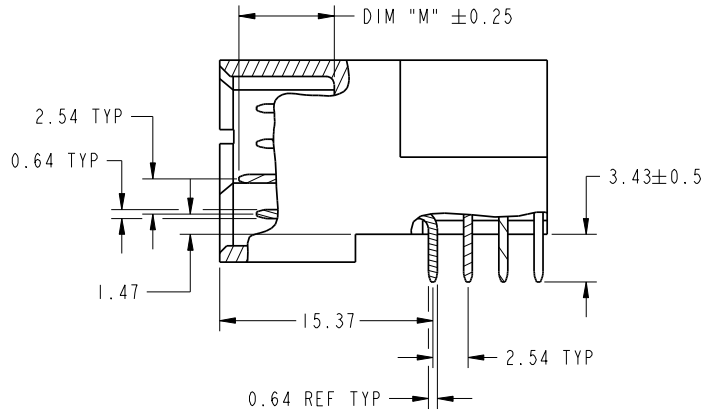
Printed: Dec 20, 2010

Tous droits strictement réservés. Reproduction ou communication o des liens interdite sous quelque forme que ce soit sans autorisation écrite du propriétaire. Propriete de c FCI. Droits de reproduction FCI.

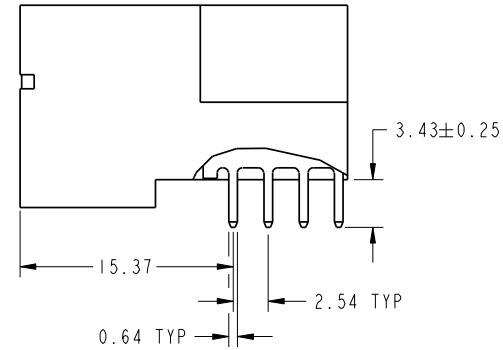
All rights strictly reserved. Reproduction or issue to third parties in any form whatever is not permitted without written authority from the proprietor. Property of FCI. Copyright FCI.



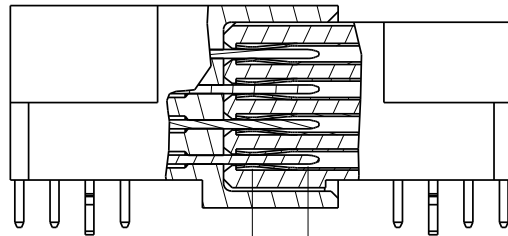
PRODUCT NUMBER  
51730-141...  
NOTE: 3



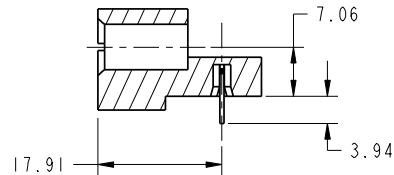
BROKEN-OUT SECTION A-A  
SCALE 2:1



SECTION B-B  
SCALE 2:1



DIM "W" MIN  
WIPE LENGTH  
SECTION SIG-SIG  
SCALE 2:1



SECTION C-C

mat'l code		SEE NOTE		tolerances unless otherwise specified		CUSTOMER		FCI		www.fciconnect.com	
lfr	ecn no.	dr	date	linear	0.X ±0.5	COPY		projection		title	
A				angles	0.XX ±0.25	MM		2P + 16S + 2P		RIGHT ANGLE SOLDER HEADER	
				dr	0.XXX ±0.1	1:1		product family		code	
				engr	0° ±2°	A		PwrBlade		213	
				chr		A		size		sheet	
				appd		A		51730-141		2 of 4	
sheet index	revision sheet										

Pro/E

cage code 22526

PDM: Rev:A

STATUS: Released

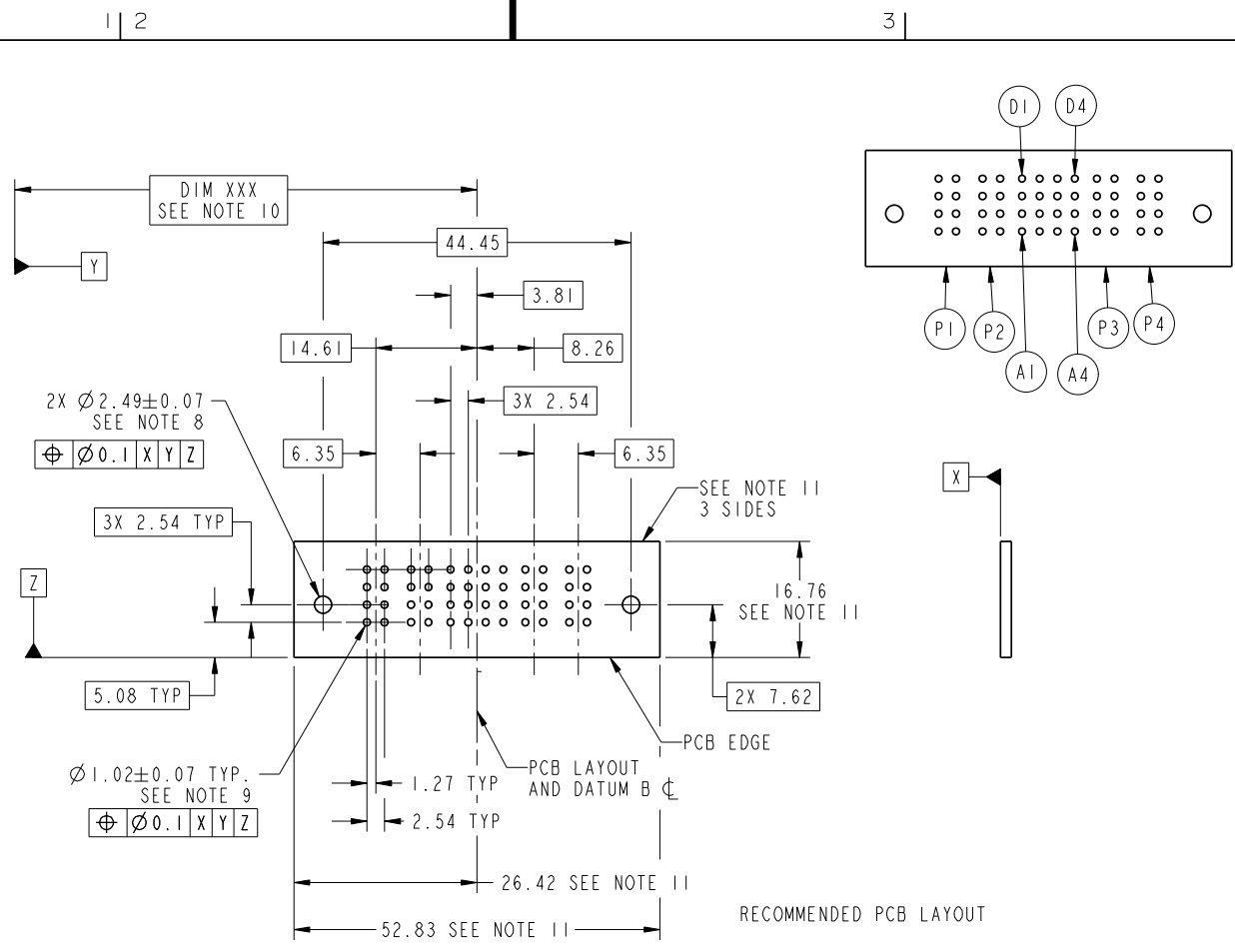
Printed: Dec 20, 2010

Tous droits strictement réservés. Reproduction ou communication o des liens interdite sous quelque forme que ce soit sans autorisation écrite du propriétaire. Propriete de c FCI. Droits de reproduction FCI.



All rights strictly reserved. Reproduction or issue to third parties in any form whatever is not permitted without written authority from the proprietor. Property of FCI. Copyright FCI.

PRODUCT NUMBER  
51730-141..  
NOTE: 3



mat'l code		SEE NOTE		tolerances unless otherwise specified		CUSTOMER		FCI		www.fciconnect.com	
ltr	ecn no.	dr	date	linear	0.X ±0.5	COPY		projection		title	
A				angles	0.XX ±0.25	MM		MM		2P + 16S + 2P RIGHT ANGLE SOLDER HEADER	
				dr	0.XXX ±0.1	scale		product family		code	
				engr	0° ±2°	1:1		PwrBlade		213	
				chr				size		sheet	
				appd				51730-141		3 of 4	
sheet index	revision sheet										

cage code 22526

Tous droits strictement réservés. Reproduction ou communication o des liens interdite sous quelque forme que ce soit sans autorisation écrite du propriétaire. Propriete de c FCI. Droits de reproduction FCI.



All rights strictly reserved. Reproduction or issue to third parties in any form whatever is not permitted without written authority from the proprietor. Property of FCI. Copyright FCI.

PRODUCT NUMBER  
51730-141--  
NOTE: 3

NOTES:

1. DIMENSIONS AND TOLERANCES ARE IN ACCORDANCE WITH ASME Y14.5M, 1994 UNLESS OTHERWISE SPECIFIED.

CONNECTOR NOTES:

- 2. HOUSING MATERIAL: UL 94 V-0 GLASS FILLED HIGH-TEMP THERMOPLASTIC  
POWER CONTACT MATERIAL: COPPER ALLOY  
SIGNAL PIN MATERIAL: COPPER ALLOY
- 3. PLATING:  
SEE PRINT 10064183 FOR PLATING SPEC OF 51730-141; 51730-141LF
- 4. MANUFACTURER'S NAME, P/N, AND DATE CODE TO APPEAR ON THIS SURFACE.
- 5. PRODUCT SPECIFICATION GS-12-149.  
APPLICATION SPECIFICATION BUS-20-067.

6. PACKAGED IN TRAYS.

PCB NOTES:

- 7. ALL HOLE DIAMETERS ARE FINISHED HOLE SIZE.
- 8. MOUNTING HOLES, WHERE APPLICABLE, ARE UNPLATED.
- 9.  $\varnothing 1.151 \pm 0.025$  DRILLED HOLES PLATED WITH  
0.008 MIN SnPb OR Sn OVER 0.03  
TO 0.08 Cu PLATING TO ACHIEVE  
 $\varnothing 1.02 \pm 0.07$  HOLE.
- 10. "DIM XXX" TO BE DETERMINED BY THE CUSTOMER.
- 11. CONNECTOR KEEP-OUT ZONE.

mat'l code				SEE NOTE		tolerances unless otherwise specified		CUSTOMER		FCI www.fciconnect.com	
lfr	ecn no.	dr	date	linear	$0.X \pm 0.5$	COPY		projection		title	
A					$0.XX \pm 0.25$					2P + 16S + 2P RIGHT ANGLE SOLDER HEADER	
				angles	$0^{\circ} \pm 2^{\circ}$					product family PwrBlade code 213	
				dr	Jerome Chen 01/18/08			size		dwg no 51730-141 sheet 4 of 4	
				engr	Jerome Chen 01/18/08			scale		A	
				chr	Gary Hsieh 01/18/08			1:1			
				appd	Joseph Hsia 01/18/08						
sheet index	revision sheet										



product family  
PwrBlade  
code 213  
dwg no 51730-141  
sheet 4 of 4

PDM: Rev:A

STATUS: Released

Printed: Dec 20, 2010

1 | 2

3 |

4

A

A

B

B

1 | 2

3 |

4

Pro/E

cage code 22526