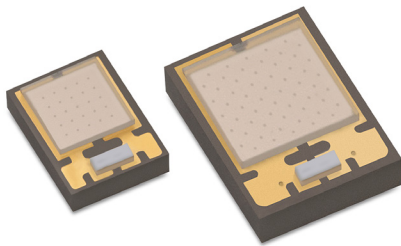




LUXEON UV U Line

Highest power density, superior efficiency, powered by leading Chip Scale Package (CSP) technology



At a micro package size compared to other ultraviolet and violet LEDs, LUXEON UV U Line LEDs are SMT devices that can be assembled in tight arrays with spacing of only 200 microns, which enables high power density (W/cm^2) systems for superior efficiency and design freedom. These products are undomed for precise optical control and include a portfolio of $1mm^2$ and $2mm^2$ die sizes covering ultraviolet and violet light. The superior power density, excellent robustness of CSP technology and real world efficacy enable leading performance and efficient solution development in a wide variety of UV specialty lighting applications.

FEATURES AND BENEFITS

Offering ultraviolet in 380-400nm and violet (400-420nm) for a range of options

Small 2.2 to 3.6 mm^2 SMT footprint enables highest W/cm^2 power density, design freedom

1A per mm^2 die size maximum drive current allows more power per LED

Up to 50%+ efficiency reduces heat output

AlN package R_{th} as low as 1.8 K/W for better thermal management

PRIMARY APPLICATIONS

Specialty Lighting

- Analytical Instrumentation
- Curing
- Medical
- Security
- UV Photoreaction

LUXEON UV U1 product performance at 500mA and 1000mA, T_j=25°C.

PEAK WAVELENGTH [1]	TYPICAL RADIOMETRIC POWER [2] (mW)		PART NUMBER
	500mA	1000mA	
415 ±5nm	725	1378	LHUV-0415-A070
405 ±5nm	675	1283	LHUV-0405-A065
	725	1378	LHUV-0405-A070
395 ±5nm	625	1188	LHUV-0395-A060
	675	1283	LHUV-0395-A065
385 ±5nm	425	808	LHUV-0385-A040
	475	903	LHUV-0385-A045

Notes:

1. Lumileds maintains a tolerance of ±2nm for peak wavelength measurements.
2. Lumileds maintains a tolerance of ±10% for radiometric power measurements.

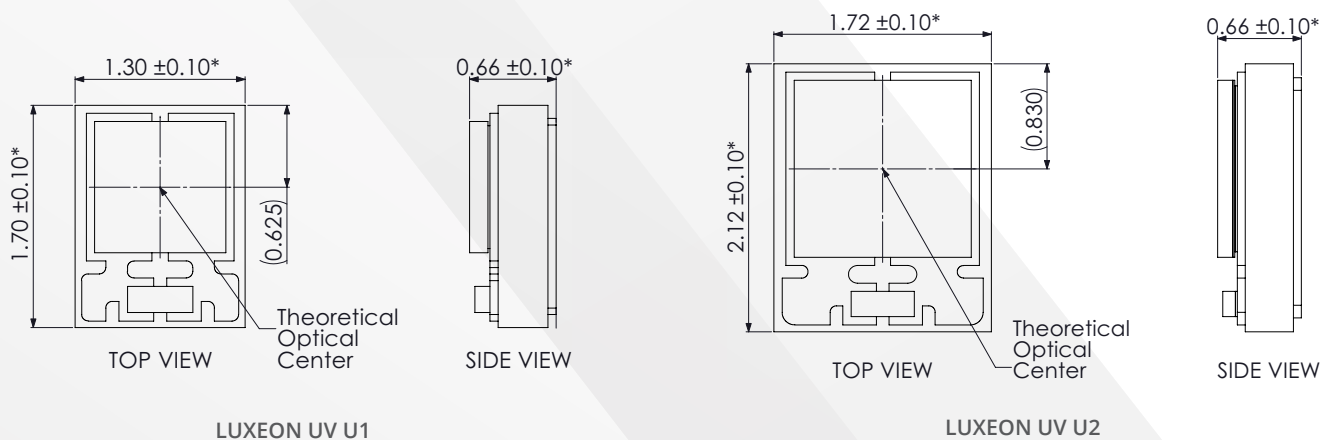
LUXEON UV U2 product performance at 1000mA and 2000mA, T_j=25°C.

PEAK WAVELENGTH [1]	TYPICAL RADIOMETRIC POWER [2] (mW)		PART NUMBER
	1000mA	2000mA	
410–420nm	1450	2610	L1F3-U410200014000
400–410nm	1300	2340	L1F3-U400200012000
390–400nm	1300	2340	L1F3-U390200012000
380–390nm	700	1260	L1F3-U380200006000
	900	1620	L1F3-U380200008000

Notes:

1. Lumileds maintains a tolerance of ±2nm for peak wavelength measurements.
2. Lumileds maintains a tolerance of ±10% for radiometric power measurements.

Mechanical Dimensions.



Notes:

1. Drawings are not to scale.
2. All dimensions are in millimeters.