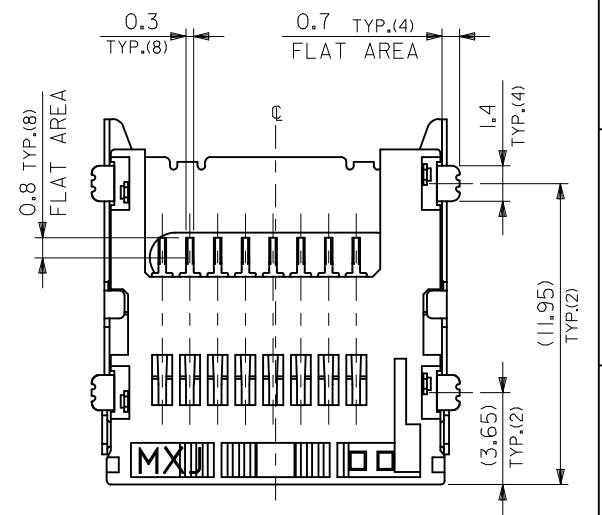
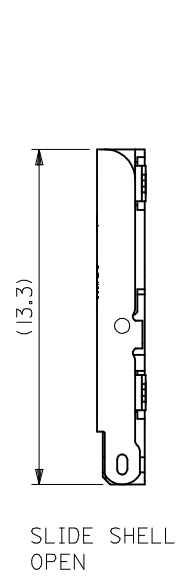
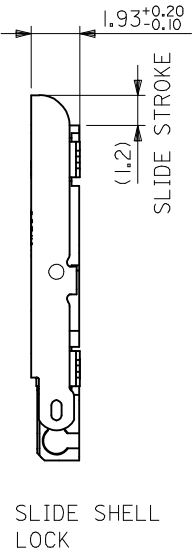
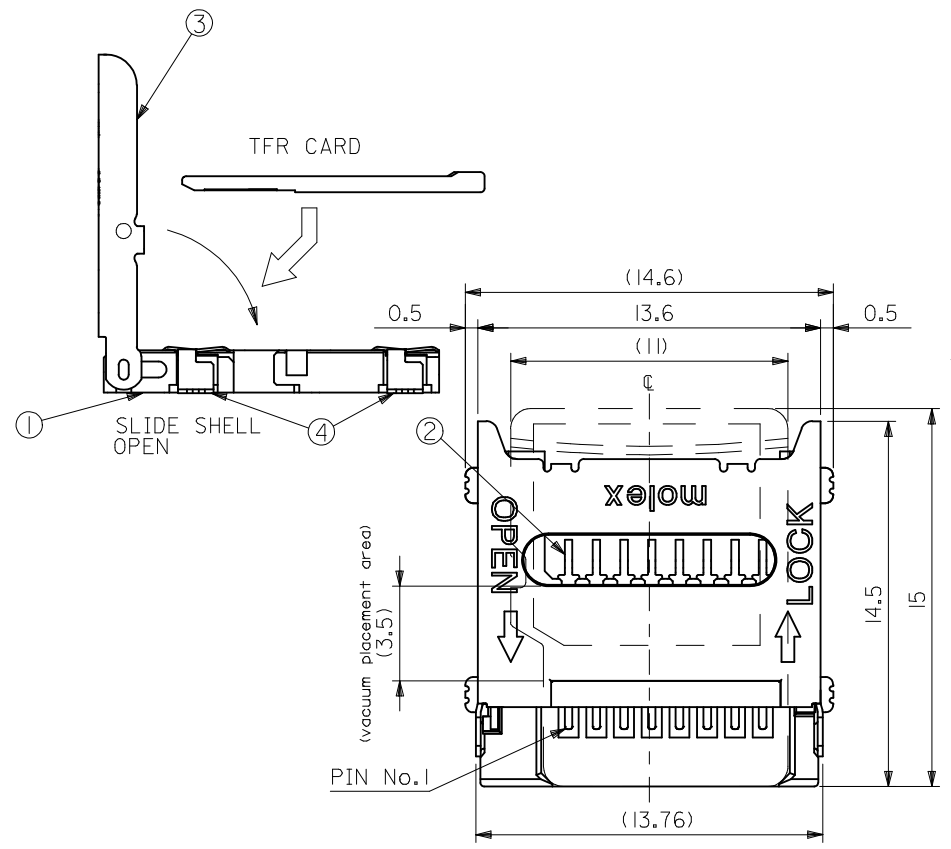


CONFIDENTIAL

NO.	PARTS DESCRIPTION	QTY	MATERIAL	FINISH
①	HOUSING	1	LIQUID CRYSTAL POLYMER (WHITE)	—
②	TERMINAL	8	COPPER ALLOY	CONTACT AREA:GOLD 0.5um MIN. SOLDER AREA:TIN 1.0um MIN. UNDER PLATING NICKEL 1.0um MIN.
③	SHELL	1	STAINLESS STEEL	—
④	NAIL	4	PHOSPHOR BRONZE	ALL OVER:TIN 1.0um MIN. UNDER PLATING NICKEL 1.0um MIN.

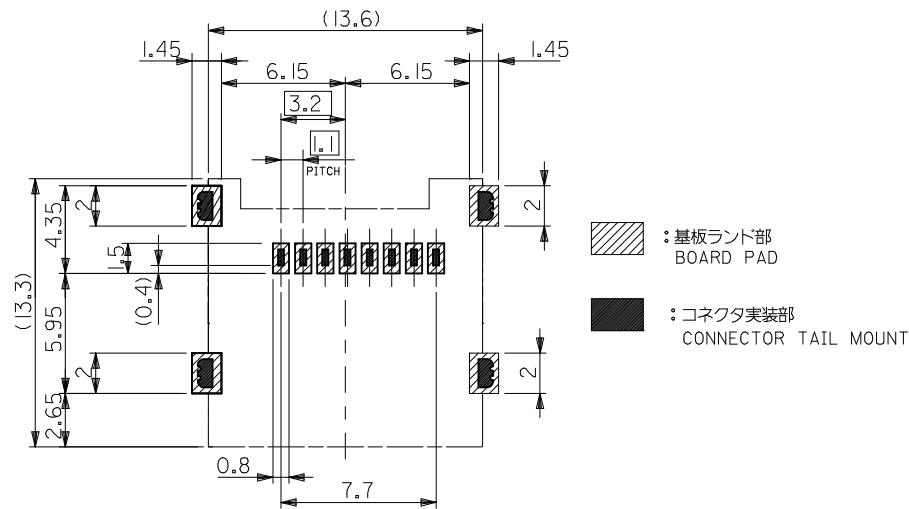


NOTE

1. EACH TERMINALS AND NAILS COPLANARITY TO BE 0.1MAX.
2. ELV AND RoHS COMPLIANT.

ORDER No.	500901-0801	500901-08**
CONNECTOR ONLY	500901-0829	
PACKAGE	MATERIAL No.	MODEL No.

REVISED EC NO: J2015-1023 DRWN: MISO GAYA 2015/02/04 CHKD: APPR: NUKITA 2015/02/06	GENERAL TOLERANCES (UNLESS SPECIFIED)			DIMENSION STYLE		SCALE	DESIGN UNITS	THIRD ANGLE PROJECTION  <b>TFR MEMORY CARD CONN. HINGE TYPE</b>  <b>molex</b> DOCUMENT NO. SD-500901-003 SHEET NO. 1 OF 2
	0.25 UNDER UNDER ±0.03			MM ONLY		5:1	METRIC	
	0.25 OVER 0.5 UNDER ±0.05			DRAWN BY TWATANABE		DATE 05/01/21	TITLE	
	0.5 OVER 1.0 UNDER ±0.1			CHECKED BY HTAKASE		DATE 05/01/21		
	1.0 OVER 10 UNDER ±0.2			APPROVED BY JMIYAZAWA		DATE 05/01/21		
30 OVER ±0.3			MATERIAL NO.		SEE CHART			
ANGULAR ±3 °			DRAFT WHERE APPLICABLE MUST REMAIN WITHIN DIMENSIONS		SIZE A3	THIS DRAWING CONTAINS INFORMATION THAT IS PROPRIETARY TO MOLEX INCORPORATED AND SHOULD NOT BE USED WITHOUT WRITTEN PERMISSION		



推奨基板寸法(上面図) 一般公差: ±0.05  
 RECOMMENDED P.C. BOARD LAYOUT(TOP VIEW)  
 GENERAL TOLERANCES : ±0.05

REVISED EC NO: J2015-1023 DRWN: MISOGAYA 2015/02/04 CHKD: APPR: NUKITA 2015/02/06	GENERAL TOLERANCES (UNLESS SPECIFIED)			DIMENSION STYLE MM ONLY		SCALE 5:1	DESIGN UNITS METRIC	THIRD ANGLE PROJECTION
	0.25 UNDER	UNDER	±0.03	DRAWN BY	DATE	TITLE		
	0.25 OVER	0.5 UNDER	±0.05	TWATANABE	05/01/21	TFR MEMORY CARD CONN. HINGE TYPE		
	0.5 OVER	1.0 UNDER	±0.1	CHECKED BY	DATE			
	1.0 OVER	10 UNDER	±---	HTAKASE	05/01/21			
10 OVER	30 UNDER	±---	APPROVED BY	DATE	DOCUMENT NO.			
30 OVER		±---	JMIYAZAWA	05/01/21	SD-500901-003			
ANGULAR	±---	°	MATERIAL NO.		SHEET NO.			
DRAFT WHERE APPLICABLE MUST REMAIN WITHIN DIMENSIONS			SIZE A3	THIS DRAWING CONTAINS INFORMATION THAT IS PROPRIETARY TO MOLEX INCORPORATED AND SHOULD NOT BE USED WITHOUT WRITTEN PERMISSION				

10

9

8

7

6

5

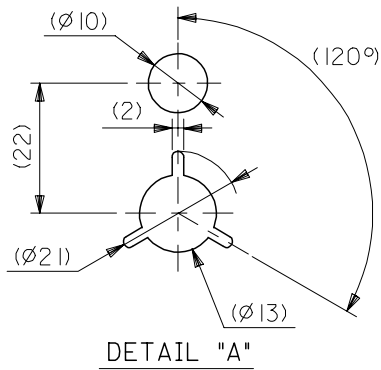
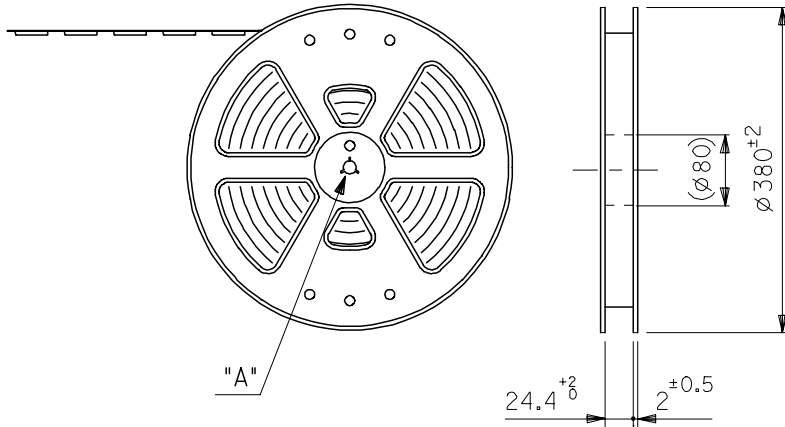
4

3

2

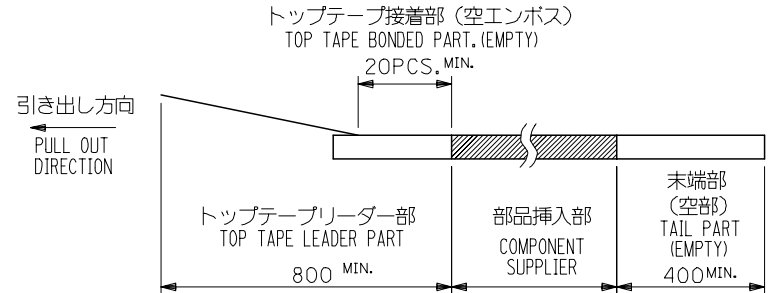
1

引き出し方向  
←  
PULL OUT  
DIRECTION

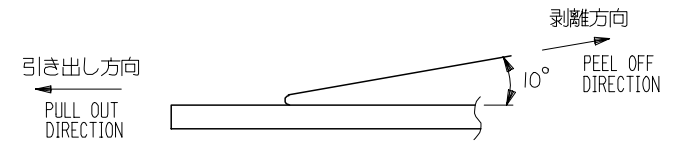


## NOTES

- 製品詳細寸法については、SD図面を参照下さい。  
THE DETAIL DIMENSIONS REFER TO SALES DRAWING.
- 梱包数量：1400個/リール  
NUMBER OF CONNECTORS : 1400PCS/REEL
- リードテープ長さ LEAD TAPE LENGTH



- トップテープの剥離強度：0.1N～1.3N (10.2gf～130gf) (剥離方向は下図参照)  
尚、本規格値は出荷時に適用。(但し、輸送時に剥離が発生しないこと。)  
PEEL FORCE OF TOP TAPE : 0.1N～1.3N (10.2gf～130gf)  
(PEEL DIRECTION AS SHOWN IN FOLLOWING FIG.)  
THIS REQUIREMENT SHOULD BE APPLIED AT SHIPMENT.  
PEEL OFF SHOULD NOT BE ALLOWED , DURING TRANSPORTATION.



## 5. 材料 (MATERIAL)

キャリアテープ (CARRIER TAPE) : ポリプロピレン (POLYPROPYLENE)  
トップテープ (TOPTAPE) : PET, PE, PEF  
リール (REEL) : ポリスチレン (PS) <リサイクル材を含む>  
POLYSTYRENE (PS) <RECYCLE MATERIAL CONTAINED>

REV	DESCRIPTION	GENERAL TOLERANCES (UNLESS SPECIFIED)		DIMENSION STYLE		SCALE	DESIGN UNITS	THIRD ANGLE PROJECTION	
		10 UNDER	±0.2	MM ONLY		---	METRIC	◎ □	
0	RELEASED EC NO: J2005-2205 DRAWN: SETO 2005/02/03 CHKD: WATANABE 2005/02/03 APPR: JMIYAZAWA 2005/02/08	10 OVER 30 UNDER	±0.25	DRAWN BY	DATE	TITLE			
		30 OVER	±0.3	TWATANABE	05/01/21	TFR MEMORY CARD CONN. EMBOSSD TAPE PACKAGE			
		ANGULAR	±3 °	CHECKED BY	DATE	MOLEX MOLEX INCORPORATED			
		DRAFT WHERE APPLICABLE MUST REMAIN WITHIN DIMENSIONS		APPROVED BY	DATE	DOCUMENT NO.		SHEET NO.	
				JMIYAZAWA	05/01/21	500901-0801		SD-500901-004	
				MATERIAL NO.		THIS DRAWING CONTAINS INFORMATION THAT IS PROPRIETARY TO MOLEX INCORPORATED AND SHOULD NOT BE USED WITHOUT WRITTEN PERMISSION		1 OF 2	

9

8

7

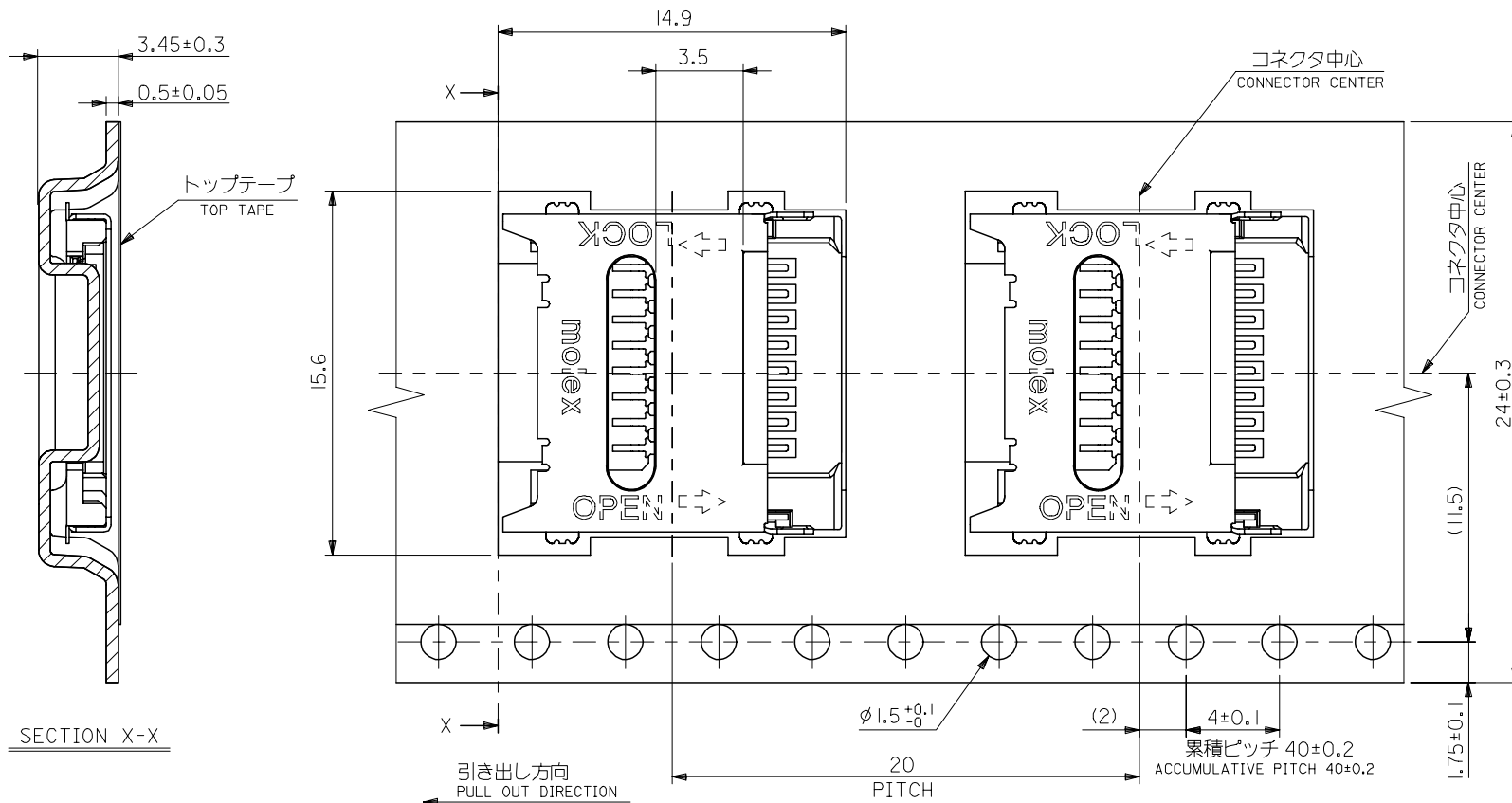
6

5

4

3

2



RELEASED EC NO: J2005-2205 DRWNGKSETO 2005/02/03 CHKD: TWATANABE 2005/02/03 APPR: JMIYAZAWA 2005/02/08	GENERAL TOLERANCES (UNLESS SPECIFIED)		DIMENSION STYLE MM ONLY		SCALE ---	DESIGN UNITS METRIC	THIRD ANGLE PROJECTION	
	10 UNDER	± ---	DRAWN BY TWATANABE	DATE 05/01/21	TITLE TFR MEMORY CARD CONN. EMBOSSD TAPE PACKAGE			
	10 OVER 30 UNDER	± ---	CHECKED BY HTAKASE	DATE 05/01/21	MOLEX INCORPORATED			
	30 OVER	± ---	APPROVED BY JMIYAZAWA	DATE 05/01/21	DOCUMENT NO. SD-500901-004			
	ANGULAR ±3 °		MATERIAL NO. 500901-0801		SHEET NO. 2 OF 2			
DRAFT WHERE APPLICABLE MUST REMAIN WITHIN DIMENSIONS		THIS DRAWING CONTAINS INFORMATION THAT IS PROPRIETARY TO MOLEX INCORPORATED AND SHOULD NOT BE USED WITHOUT WRITTEN PERMISSION						