



TAI-SAW TECHNOLOGY CO., LTD.

No. 3, Industrial 2nd Rd., Ping-Chen Industrial District,
Taoyuan, 324, Taiwan, R.O.C.

TEL: 886-3-4690038 FAX: 886-3-4697532

E-mail: tstsales@mail.taisaw.com Web: www.taisaw.com

Approval Sheet For Product Specification

Issued Date:

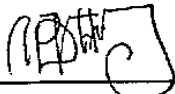
Product Name: SAW Filter 897.5 MHz SMD 3X3 mm

TST Parts No.:TA1003A

Customer Parts No.: _____

Company: _____
Division: _____
Approved by : _____
Date: _____

Checked by: David Chang 張閱智

Approval by: Francis Chen 

Date: 2009/03/26



TAI-SAW TECHNOLOGY CO., LTD.

No. 3, Industrial 2nd Rd., Ping-Chen Industrial District,
Taoyuan, 324, Taiwan, R.O.C.

TEL: 886-3-4690038 FAX: 886-3-4697532

E-mail: tstsales@mail.taisaw.com Web: www.taisaw.com

SAW Filter 897.5 MHz

MODEL NO.: TA1003A

REV. NO.:1

A. MAXIMUM RATING:

1. Input Power Level: 20 dB_m
2. DC voltage: 3 V
3. Operating Temperature: -20°C to +75°C
4. Storage Temperature: -40°C to +85°C

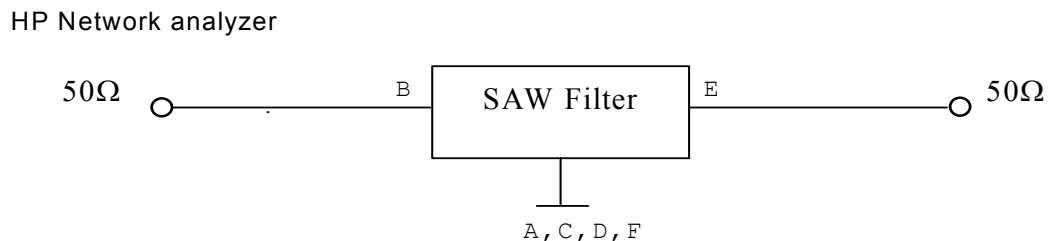
RoHS Compliant
Lead free
Lead-free soldering

B. ELECTRICAL CHARACTERISTICS:

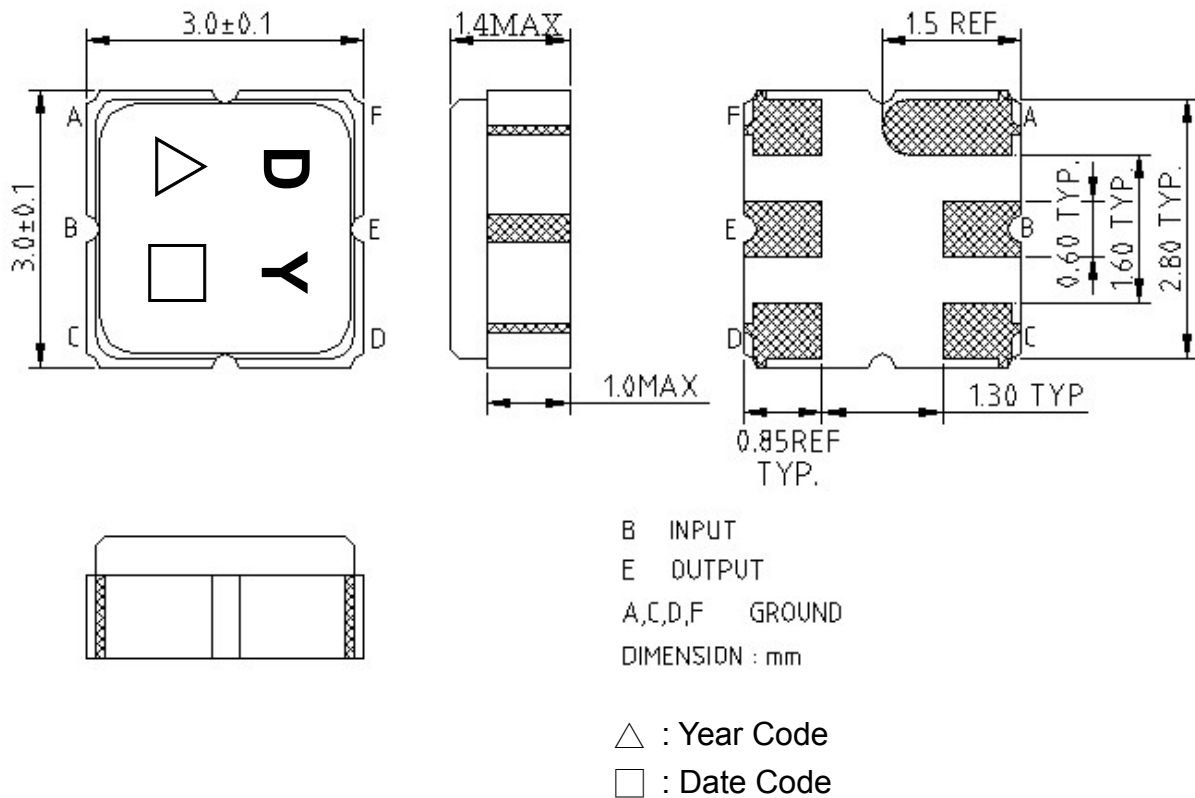
Item	Unit	Min.	Typ.	Max.
Center frequency F_c	MHz	-	897.5	-
Insertion loss (880 ~ 915 MHz) IL	dB	-	2.1	3.0
Amplitude ripple (880 ~ 915 MHz)	dB	-	1.0	2.0
Attenuation (Reference level from 0 dB)				
D.C. ~ 860 MHz	dB	17	19	-
925 ~ 935 MHz	dB	5	12.4	-
935 ~ 960 MHz	dB	20	24	-
980 ~ 2000 MHz	dB	20	22	-
VSWR (880 ~ 915 MHz)		-	2	2.6
Source impedance Z_s	Ω	-	50	-
Load impedance Z_L	Ω	-	50	-

Note1. The standard definitions is in JIS C 6703

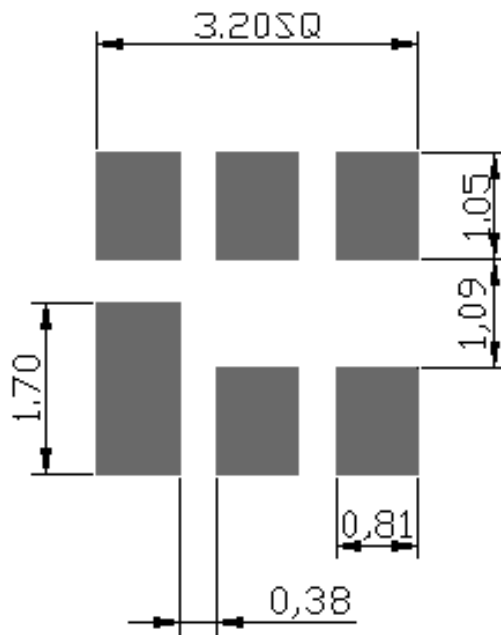
C. MEASUREMENT CIRCUIT:



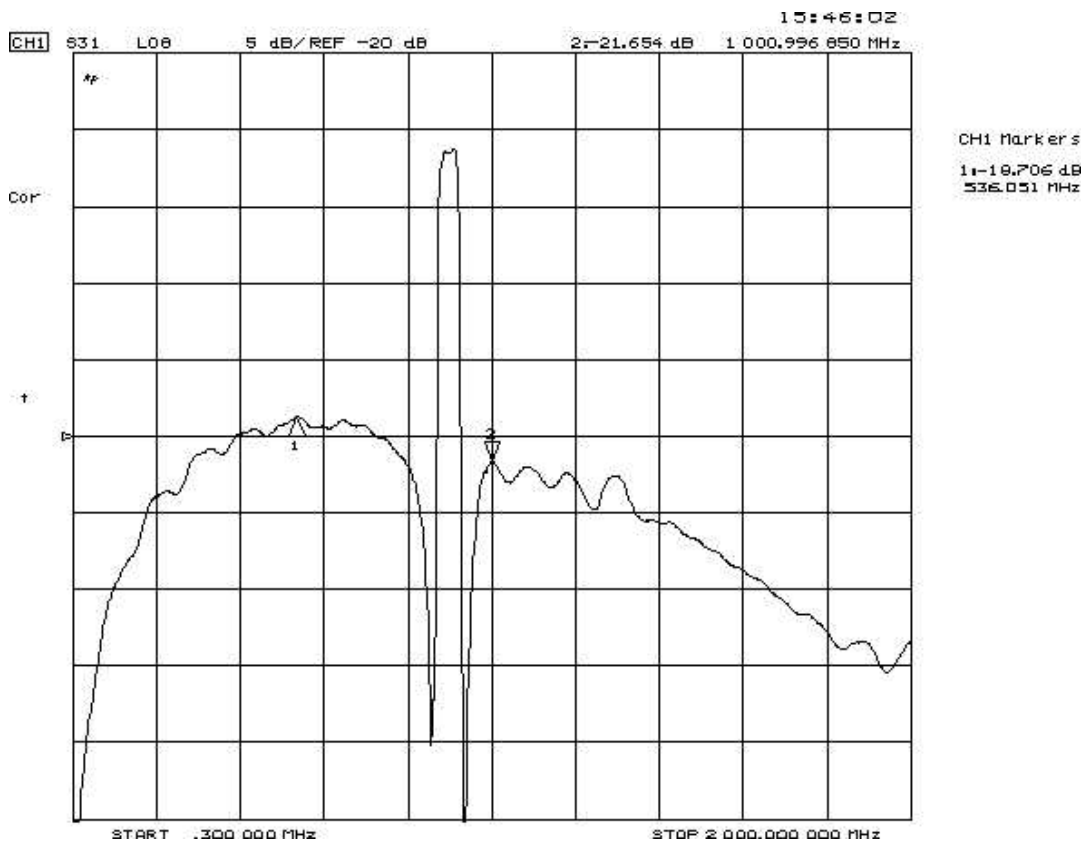
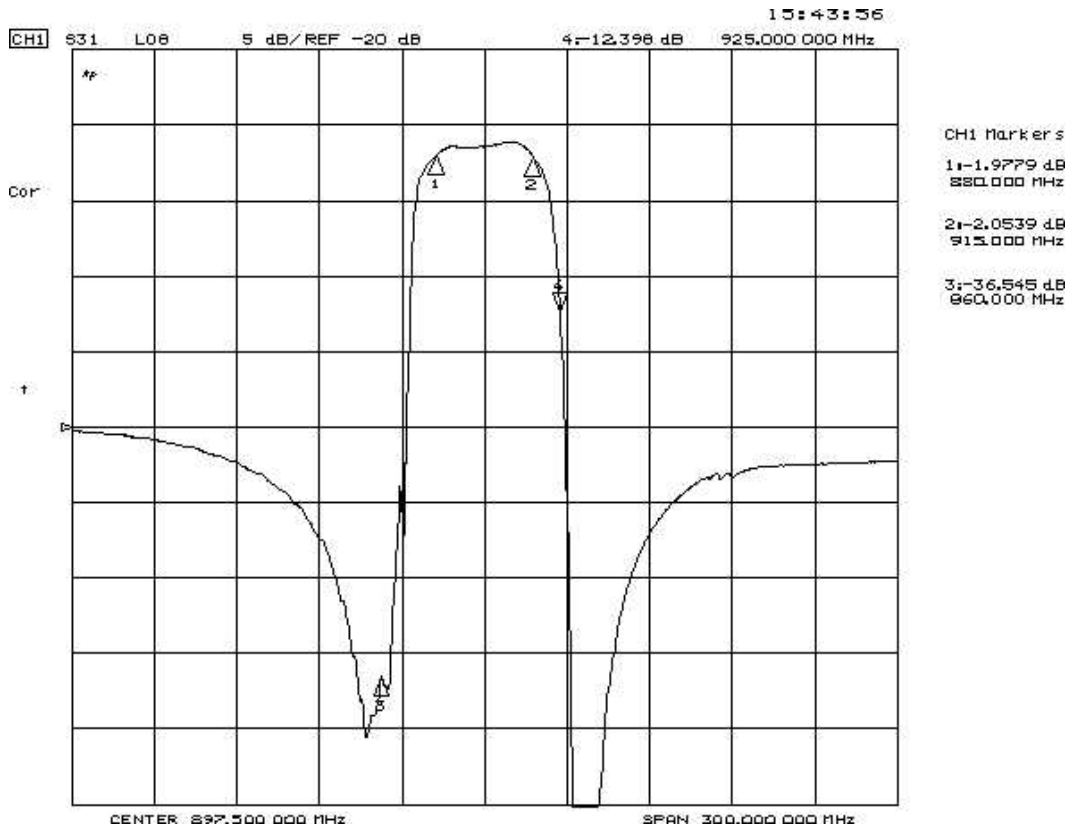
D. OUTLINE DRAWING:



E. PCB Footprint:

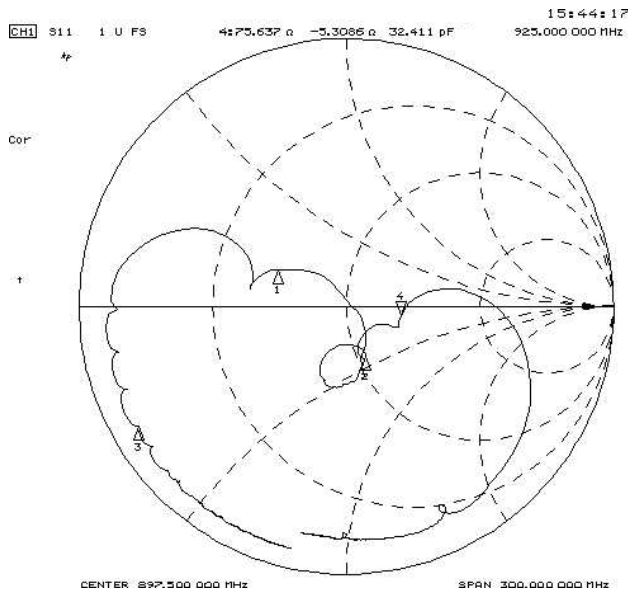
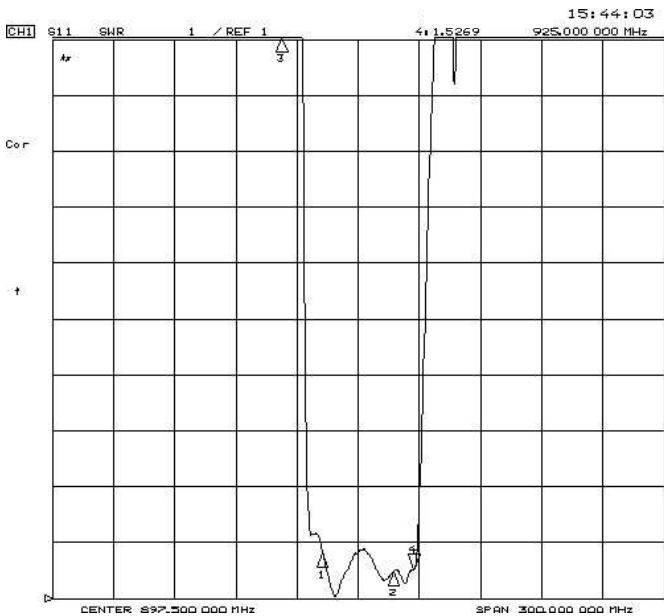


F. Frequency Characteristics : Transfer function

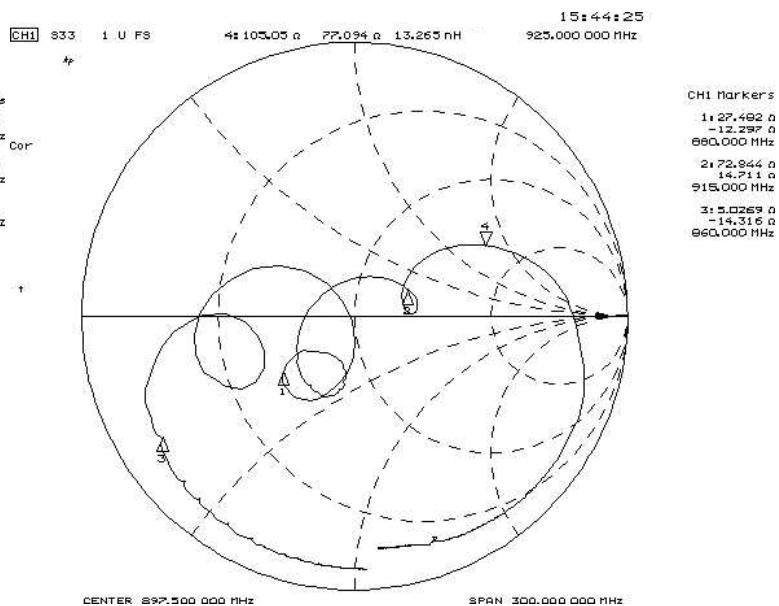
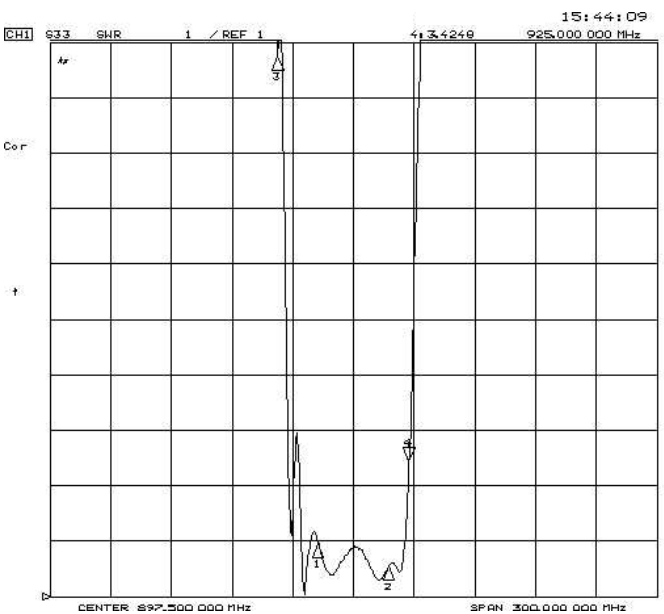


Reflections Functions :

S11

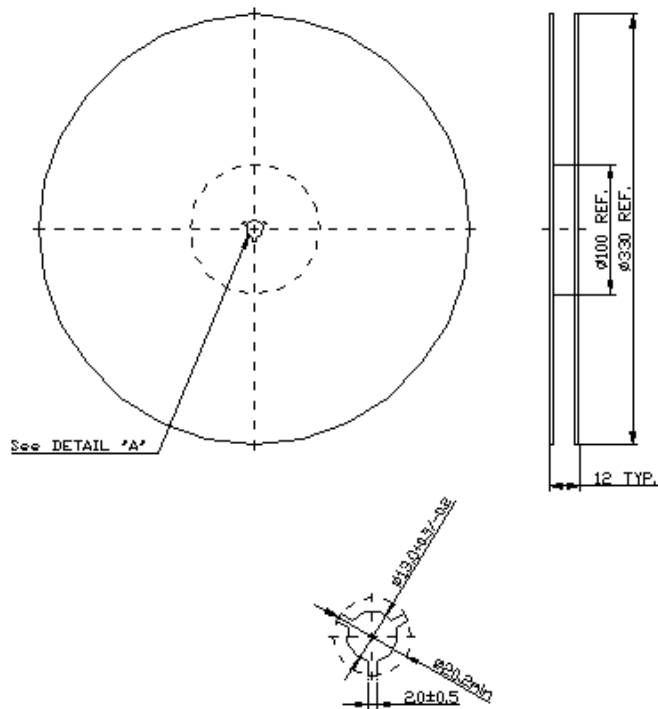


S22



G. PACKING:

1. REEL DIMENSION



2. TAPE DIMENSION

