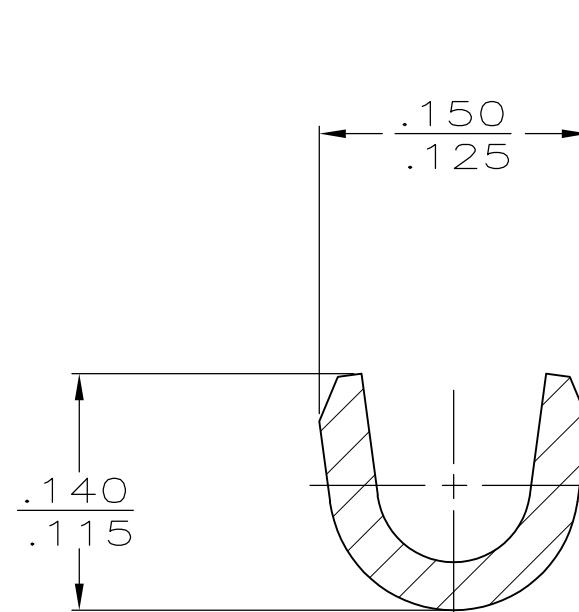
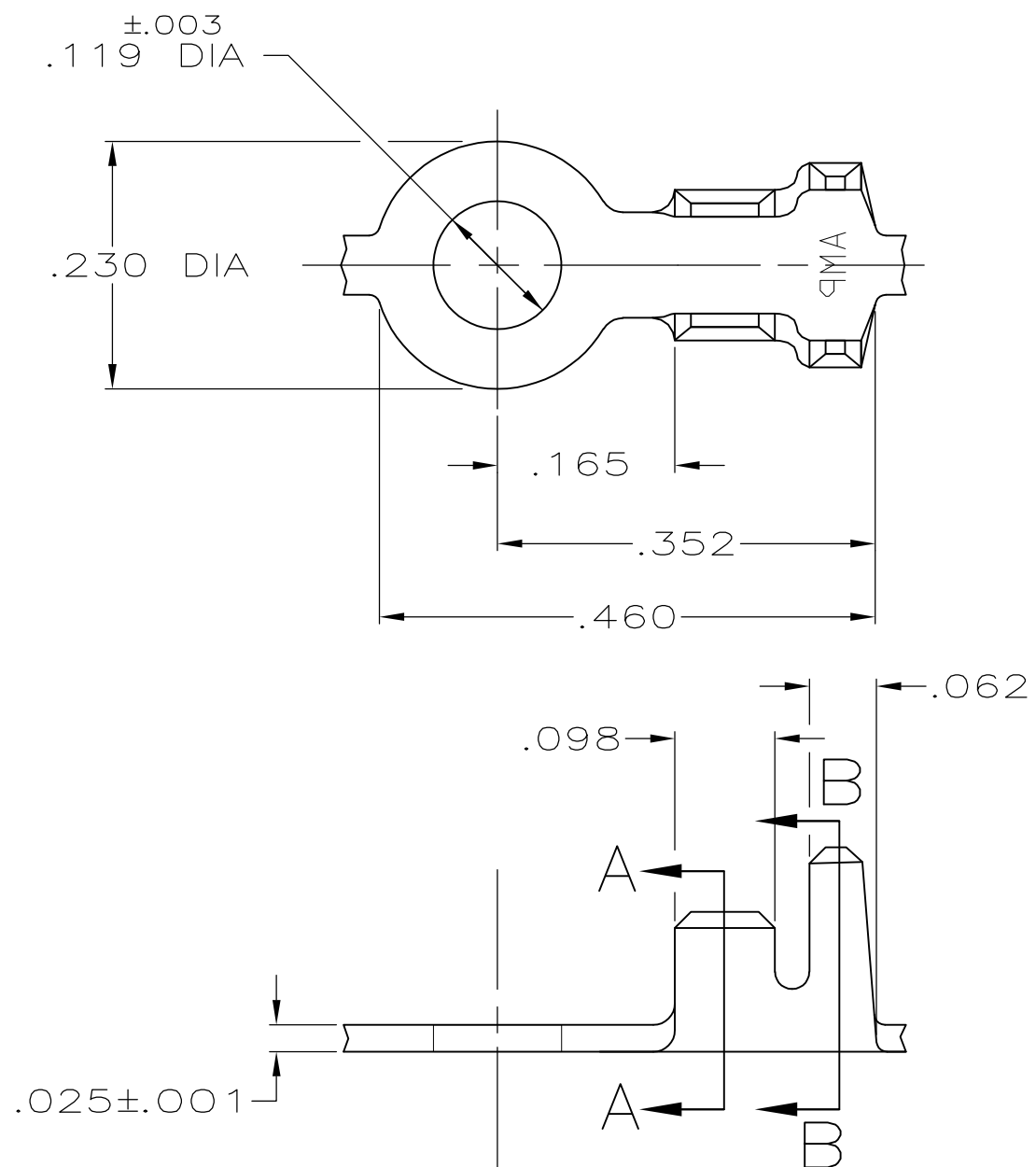


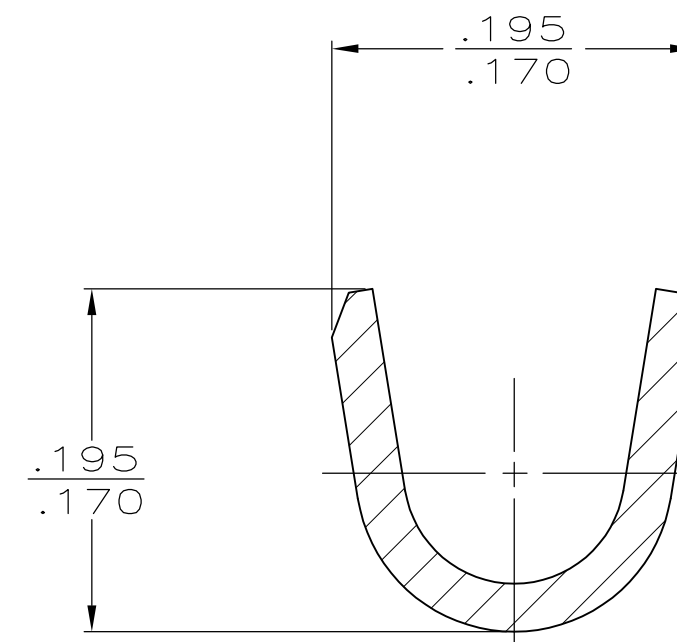
THIS DRAWING IS UNPUBLISHED. RELEASED FOR PUBLICATION
 © COPYRIGHT - By - ALL RIGHTS RESERVED.

LOC	DIST	REVISIONS			
P	LTR	DESCRIPTION	DATE	DWN	APVD
AF	50	E1	REVISED PER ECR-12-003339	22FEB12	JR PD

1. CONTINUOUS STRIP ON REELS



SECTION A-A
SCALE 10:1



SECTION B-B
SCALE 10:1

FINISH	INSULATION RANGE	WIRE SIZE	PART NO
-	.100-.135 DIA	20-16 AWG	61386-2
TIN	.100-.135 DIA	20-16 AWG	61386-1

THIS DRAWING IS A CONTROLLED DOCUMENT.		DWN P FORTNEY 3/21/90	STE TE Connectivity														
DIMENSIONS: INCHES		CHK JR RUTH 3/21/90															
TOLERANCES UNLESS OTHERWISE SPECIFIED:		APVD G YETTER 3/21/90	NAME - RING -														
<table border="0"> <tr><td>0 PLC</td><td>± -</td></tr> <tr><td>1 PLC</td><td>± -</td></tr> <tr><td>2 PLC</td><td>± -</td></tr> <tr><td>3 PLC</td><td>± .015</td></tr> <tr><td>4 PLC</td><td>± -</td></tr> <tr><td>ANGLES</td><td>± -</td></tr> </table>		0 PLC	± -	1 PLC	± -	2 PLC	± -	3 PLC	± .015	4 PLC	± -	ANGLES	± -	PRODUCT SPEC -	APPLICATION SPEC -		
0 PLC	± -																
1 PLC	± -																
2 PLC	± -																
3 PLC	± .015																
4 PLC	± -																
ANGLES	± -																
MATERIAL #1 HARD BRASS	FINISH SEE TABLE	WEIGHT -	SIZE A3	CAGE CODE 00779	DRAWING NO C-61386	RESTRICTED TO -											
CUSTOMER DRAWING			SCALE 6:1	SHEET 1 OF 1	REV E1												