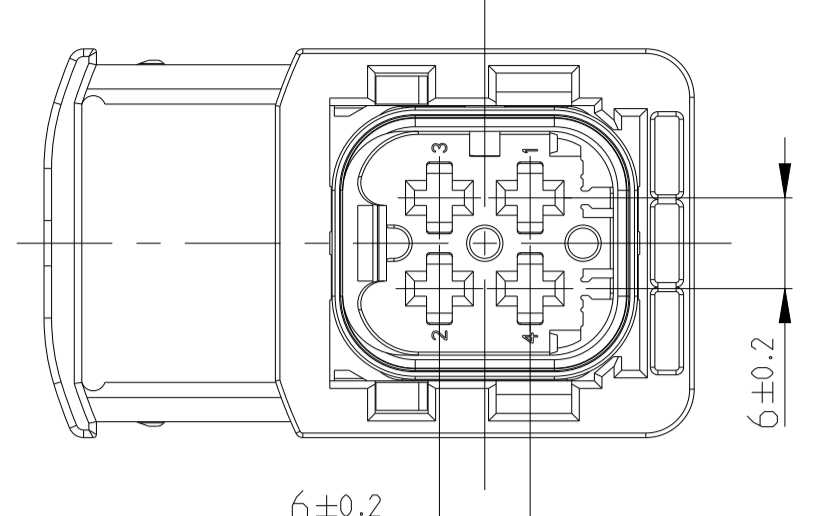
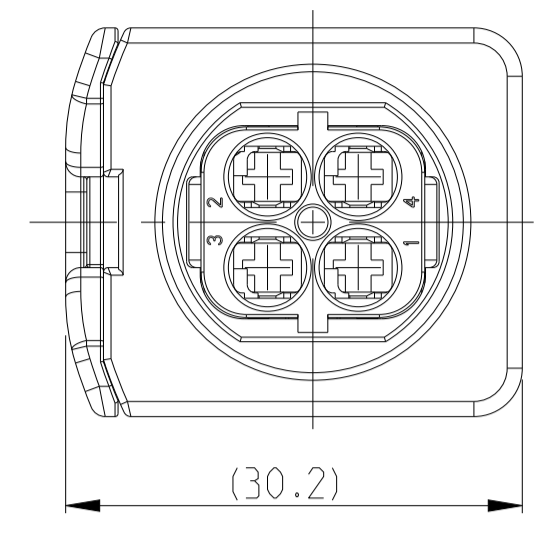


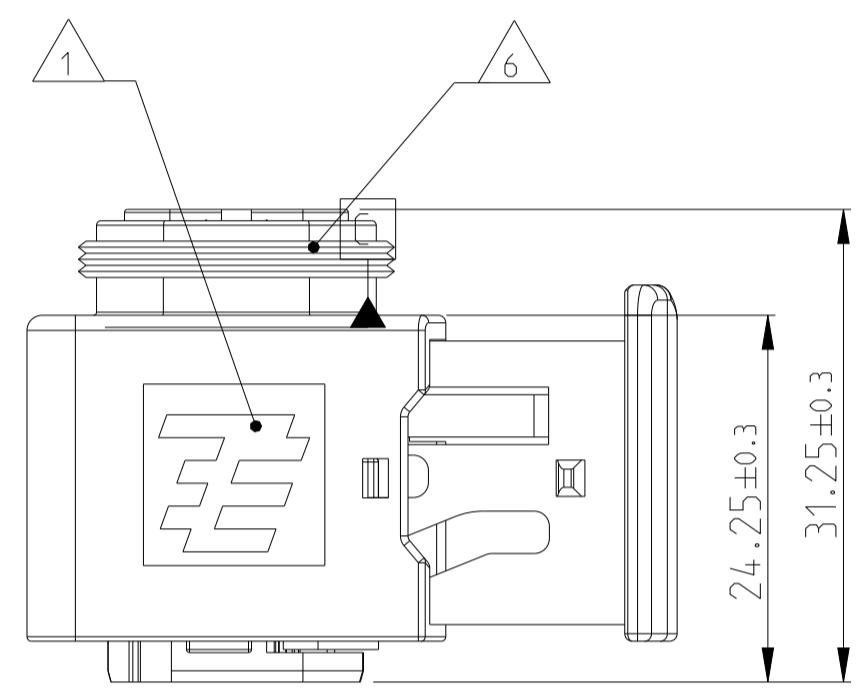
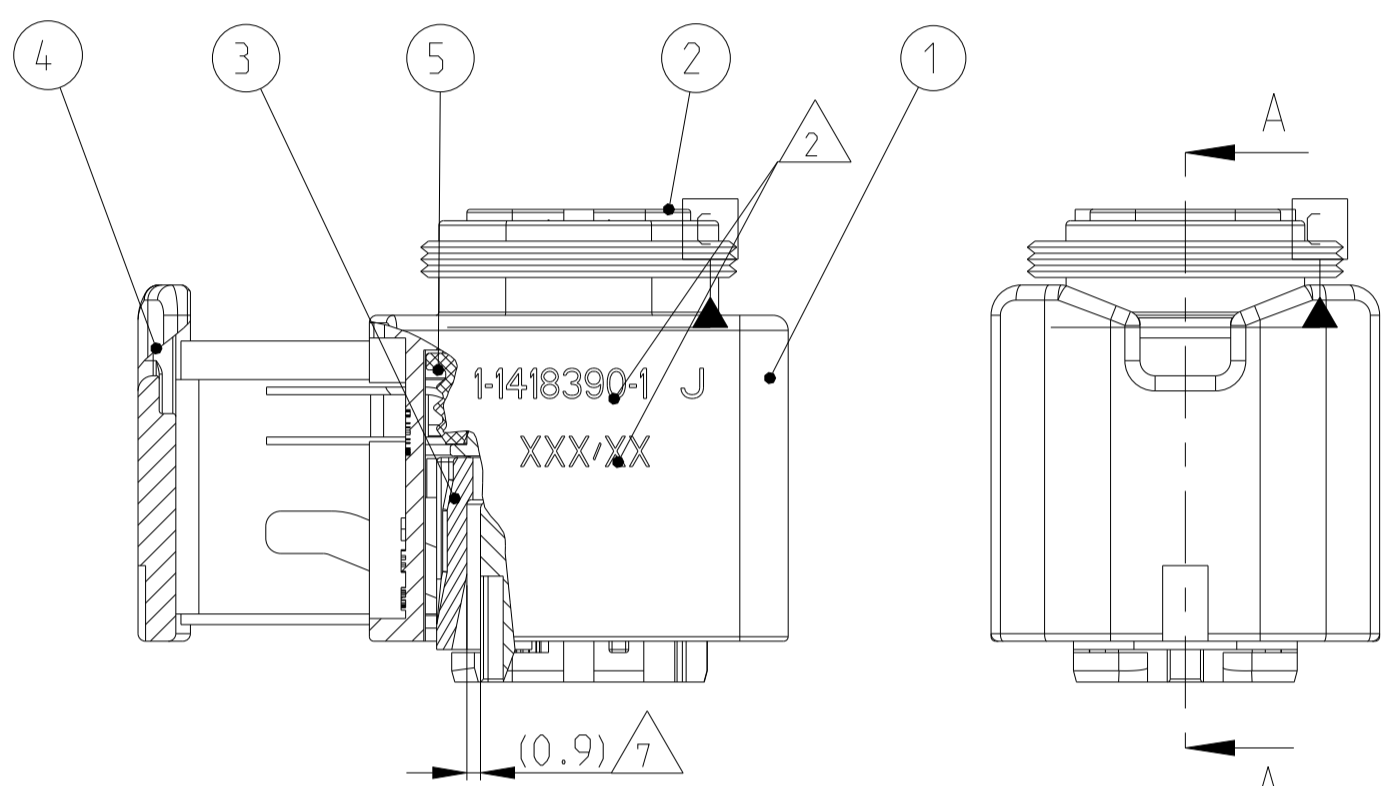
DELIVERY CONDITION:
Lieferzustand:
SECONDARY LOCKING AND SLIDE IN PRE-LOCKED POSITION
2. Kontaktsicherung und Schieber in Vorraststellung



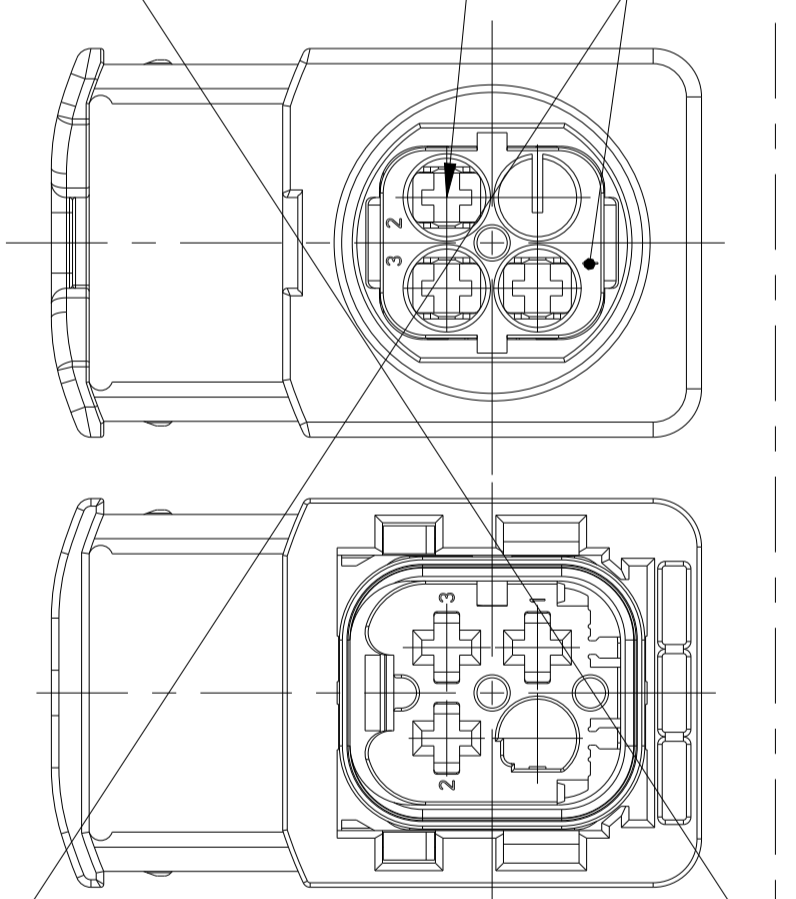
SLIDE IN LOCKED POSITION
Schieber in Verriegelungsposition



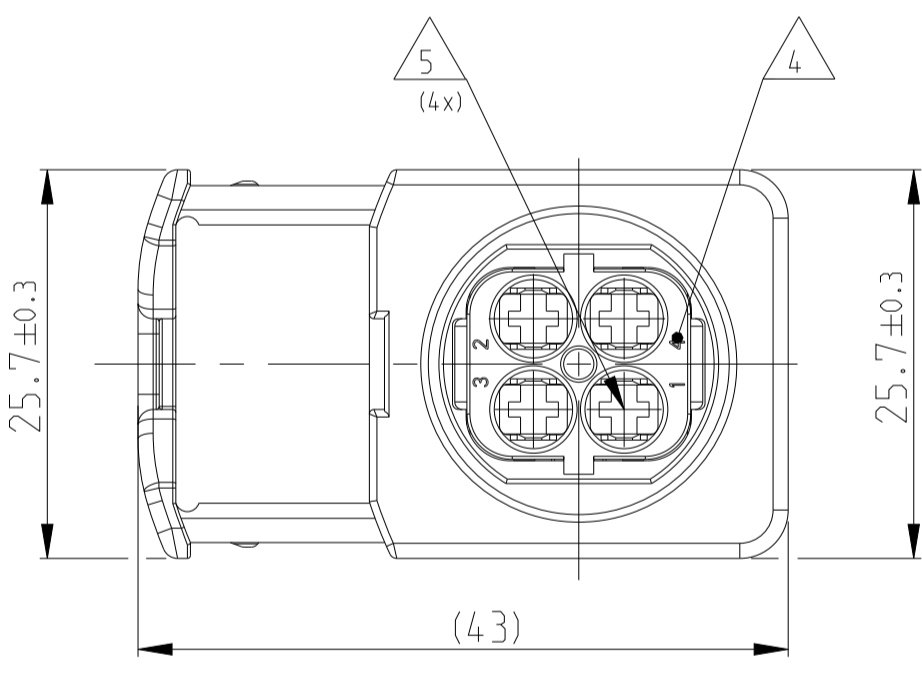
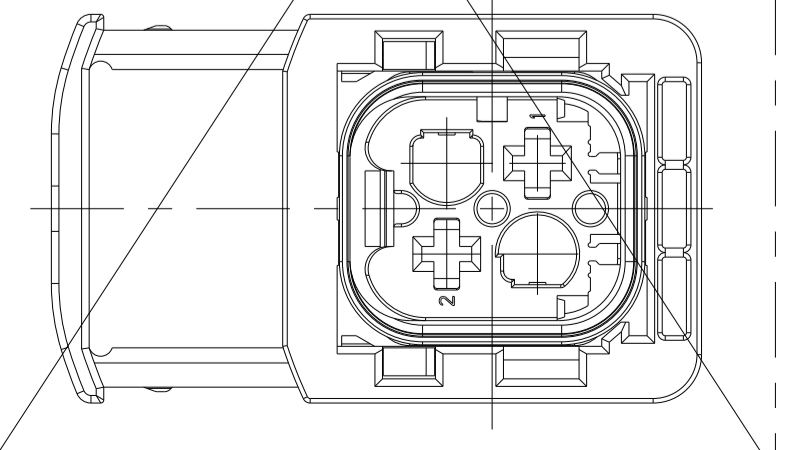
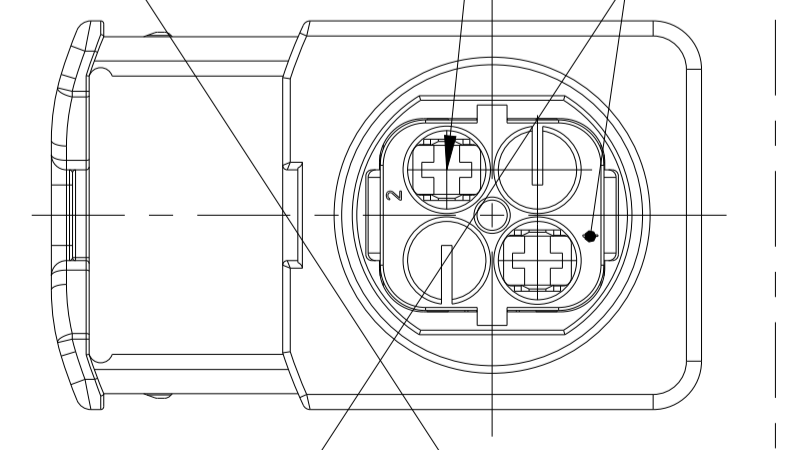
SECTION A-A Schnitt



3POS. VERSION
3pol. Version
PN X-1418390-2



2POS. VERSION
2pol. Version
PN X-1418390-3



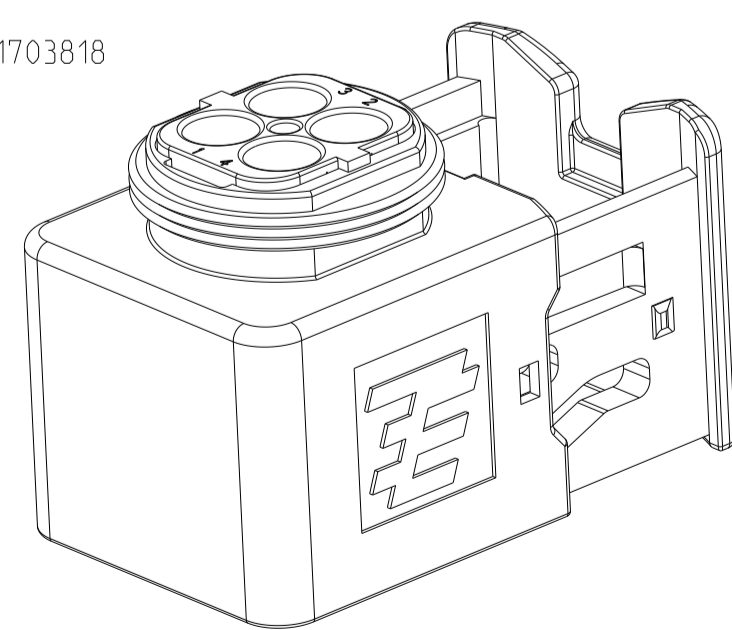
TE ORDER-NO.	REV.	NO. OF POS.	CODE	COLOR OF CVITY BLOCK	QUANTITY	ITEM NO	NO ASSY
TE Bestell-Nr.		Polzahl	Kodierung	Farbe des Kammerblocks	Stueck		
4-1418390-3	G	2	D	BLUE	1	1	14
3-1418390-3	G	2	C	GREEN	1	1	13
2-1418390-3	G	2	B	GREY	1	1	12
1-1418390-3	G	2	A	BLACK	1	1	11
4-1418390-2	G	3	D	BLUE	1	1	10
3-1418390-2	G	3	C	GREEN	1	1	9
2-1418390-2	G	3	B	GREY	1	1	8
1-1418390-2	G	3	A	BLACK	1	1	7
6-1418390-1	J	4	F	RED	1	1	6
5-1418390-1	J	4	E	VIOLET	1	1	5
4-1418390-1	J	4	D	BLUE	1	1	4
3-1418390-1	J	4	C	GREEN	1	1	3
2-1418390-1	J	4	B	GREY	1	1	2
1-1418390-1	J	4	A	BLACK	1	1	1

RECEPTACLE HOUSING	BLACK	GREY	GREEN	BLUE	VIOLET	RED	WHITE	YELLOW	ITEM NO
1 POS. CAVITY BLOCK, CODE "A"	1	1	1	1	1	1	1	1	1
2 POS. CAVITY BLOCK, CODE "B"	1	1	1	1	1	1	1	1	2
3 POS. CAVITY BLOCK, CODE "C"	1	1	1	1	1	1	1	1	3
4 POS. CAVITY BLOCK, CODE "D"	1	1	1	1	1	1	1	1	4
5 POS. CAVITY BLOCK, CODE "E"	1	1	1	1	1	1	1	1	5
6 POS. CAVITY BLOCK, CODE "F"	1	1	1	1	1	1	1	1	6
7 POS. CAVITY BLOCK, CODE "A"	1	1	1	1	1	1	1	1	7
8 POS. CAVITY BLOCK, CODE "B"	1	1	1	1	1	1	1	1	8
9 POS. CAVITY BLOCK, CODE "C"	1	1	1	1	1	1	1	1	9
10 POS. CAVITY BLOCK, CODE "D"	1	1	1	1	1	1	1	1	10
11 POS. CAVITY BLOCK, CODE "E"	1	1	1	1	1	1	1	1	11
12 POS. CAVITY BLOCK, CODE "F"	1	1	1	1	1	1	1	1	12
13 POS. CAVITY BLOCK, CODE "A"	1	1	1	1	1	1	1	1	13
14 POS. CAVITY BLOCK, CODE "B"	1	1	1	1	1	1	1	1	14
15 POS. CAVITY BLOCK, CODE "C"	1	1	1	1	1	1	1	1	15
16 POS. CAVITY BLOCK, CODE "D"	1	1	1	1	1	1	1	1	16
17 POS. CAVITY BLOCK, CODE "E"	1	1	1	1	1	1	1	1	17
18 POS. CAVITY BLOCK, CODE "F"	1	1	1	1	1	1	1	1	18
19 POS. CAVITY BLOCK, CODE "A"	1	1	1	1	1	1	1	1	19
20 POS. CAVITY BLOCK, CODE "B"	1	1	1	1	1	1	1	1	20
21 POS. CAVITY BLOCK, CODE "C"	1	1	1	1	1	1	1	1	21
22 POS. CAVITY BLOCK, CODE "D"	1	1	1	1	1	1	1	1	22
23 POS. CAVITY BLOCK, CODE "E"	1	1	1	1	1	1	1	1	23
24 POS. CAVITY BLOCK, CODE "F"	1	1	1	1	1	1	1	1	24
25 POS. CAVITY BLOCK, CODE "A"	1	1	1	1	1	1	1	1	25
26 POS. CAVITY BLOCK, CODE "B"	1	1	1	1	1	1	1	1	26
27 POS. CAVITY BLOCK, CODE "C"	1	1	1	1	1	1	1	1	27
28 POS. CAVITY BLOCK, CODE "D"	1	1	1	1	1	1	1	1	28
29 POS. CAVITY BLOCK, CODE "E"	1	1	1	1	1	1	1	1	29
30 POS. CAVITY BLOCK, CODE "F"	1	1	1	1	1	1	1	1	30
31 POS. CAVITY BLOCK, CODE "A"	1	1	1	1	1	1	1	1	31
32 POS. CAVITY BLOCK, CODE "B"	1	1	1	1	1	1	1	1	32
33 POS. CAVITY BLOCK, CODE "C"	1	1	1	1	1	1	1	1	33
34 POS. CAVITY BLOCK, CODE "D"	1	1	1	1	1	1	1	1	34
35 POS. CAVITY BLOCK, CODE "E"	1	1	1	1	1	1	1	1	35
36 POS. CAVITY BLOCK, CODE "F"	1	1	1	1	1	1	1	1	36
37 POS. CAVITY BLOCK, CODE "A"	1	1	1	1	1	1	1	1	37
38 POS. CAVITY BLOCK, CODE "B"	1	1	1	1	1	1	1	1	38
39 POS. CAVITY BLOCK, CODE "C"	1	1	1	1	1	1	1	1	39
40 POS. CAVITY BLOCK, CODE "D"	1	1	1	1	1	1	1	1	40
41 POS. CAVITY BLOCK, CODE "E"	1	1	1	1	1	1	1	1	41
42 POS. CAVITY BLOCK, CODE "F"	1	1	1	1	1	1	1	1	42
43 POS. CAVITY BLOCK, CODE "A"	1	1	1	1	1	1	1	1	43
44 POS. CAVITY BLOCK, CODE "B"	1	1	1	1	1	1	1	1	44
45 POS. CAVITY BLOCK, CODE "C"	1	1	1	1	1	1	1	1	45
46 POS. CAVITY BLOCK, CODE "D"	1	1	1	1	1	1	1	1	46
47 POS. CAVITY BLOCK, CODE "E"	1	1	1	1	1	1	1	1	47
48 POS. CAVITY BLOCK, CODE "F"	1	1	1	1	1	1	1	1	48
49 POS. CAVITY BLOCK, CODE "A"	1	1	1	1	1	1	1	1	49
50 POS. CAVITY BLOCK, CODE "B"	1	1	1	1	1	1	1	1	50
51 POS. CAVITY BLOCK, CODE "C"	1	1	1	1	1	1	1	1	51
52 POS. CAVITY BLOCK, CODE "D"	1	1	1	1	1	1	1	1	52
53 POS. CAVITY BLOCK, CODE "E"	1	1	1	1	1	1	1	1	53
54 POS. CAVITY BLOCK, CODE "F"	1	1	1	1	1	1	1	1	54
55 POS. CAVITY BLOCK, CODE "A"	1	1	1	1	1	1	1	1	55
56 POS. CAVITY BLOCK, CODE "B"	1	1	1	1	1	1	1	1	56
57 POS. CAVITY BLOCK, CODE "C"	1	1	1	1	1	1	1	1	57
58 POS. CAVITY BLOCK, CODE "D"	1	1	1	1	1	1	1	1	58
59 POS. CAVITY BLOCK, CODE "E"	1	1	1	1	1	1	1	1	59
60 POS. CAVITY BLOCK, CODE "F"	1	1	1	1	1	1	1	1	60
61 POS. CAVITY BLOCK, CODE "A"	1	1	1	1	1	1	1	1	61
62 POS. CAVITY BLOCK, CODE "B"	1	1	1	1	1	1	1	1	62
63 POS. CAVITY BLOCK, CODE "C"	1	1	1	1	1	1	1	1	63
64 POS. CAVITY BLOCK, CODE "D"	1	1	1	1	1	1	1	1	64
65 POS. CAVITY BLOCK, CODE "E"	1	1	1	1	1	1	1	1	65
66 POS. CAVITY BLOCK, CODE "F"	1	1	1	1	1	1	1	1	66
67 POS. CAVITY BLOCK, CODE "A"	1	1	1	1	1	1	1	1	67
68 POS. CAVITY BLOCK, CODE "B"	1	1	1	1	1	1	1	1	68
69 POS. CAVITY BLOCK, CODE "C"	1	1	1	1	1	1	1	1	69
70 POS. CAVITY BLOCK, CODE "D"	1	1	1	1	1	1	1	1	70
71 POS. CAVITY BLOCK, CODE "E"	1	1	1	1	1	1	1	1	71
72 POS. CAVITY BLOCK, CODE "F"	1	1	1	1	1	1	1	1	72
73 POS. CAVITY BLOCK, CODE "A"	1	1	1	1	1	1	1	1	73
74 POS. CAVITY BLOCK, CODE "B"	1	1	1	1	1	1	1	1	74
75 POS. CAVITY BLOCK, CODE "C"	1	1	1	1	1	1	1	1	75
76 POS. CAVITY BLOCK, CODE "D"	1	1	1	1	1	1	1	1	76
77 POS. CAVITY BLOCK, CODE "E"	1	1	1	1	1	1	1	1	77
78 POS. CAVITY BLOCK, CODE "F"	1	1	1	1	1	1	1	1	78
79 POS. CAVITY BLOCK, CODE "A"	1	1	1	1	1	1	1	1	79
80 POS. CAVITY BLOCK, CODE "B"	1	1	1	1	1	1	1	1	80
81 POS. CAVITY BLOCK, CODE "C"	1	1	1	1	1	1	1	1	81
82 POS. CAVITY BLOCK, CODE "D"	1	1	1	1	1	1	1	1	82
83 POS. CAVITY BLOCK, CODE "E"	1	1	1	1	1	1	1	1	83
84 POS. CAVITY BLOCK, CODE "F"	1	1	1	1	1	1	1	1	84
85 POS. CAVITY BLOCK, CODE "A"	1	1	1	1	1	1	1	1	85
86 POS. CAVITY BLOCK, CODE "B"	1	1	1	1	1	1	1	1	86
87 POS. CAVITY BLOCK, CODE "C"	1	1	1	1	1	1	1	1	87
88 POS. CAVITY BLOCK, CODE "D"	1	1	1	1	1	1	1	1	88
89 POS. CAVITY BLOCK, CODE "E"	1	1	1	1	1	1	1	1	89
90 POS. CAVITY BLOCK, CODE "F"	1	1	1	1	1	1	1	1	90
91 POS. CAVITY BLOCK, CODE "A"	1	1	1	1	1	1	1	1	91
92 POS. CAVITY BLOCK, CODE "B"	1	1	1	1	1	1	1	1	92
93 POS. CAVITY BLOCK, CODE "C"	1	1	1	1	1	1	1	1	93
94 POS. CAVITY BLOCK, CODE "D"	1	1	1	1	1	1	1	1	94
95 POS. CAVITY BLOCK, CODE "E"	1	1	1	1	1	1	1	1	95
96 POS. CAVITY BLOCK, CODE "F"	1	1	1	1	1	1	1	1	96
97 POS. CAVITY BLOCK, CODE "A"	1	1	1	1	1	1	1	1	97
98 POS. CAVITY BLOCK, CODE "B"	1	1	1	1	1	1	1	1	98
99 POS. CAVITY BLOCK, CODE "C"	1	1	1	1	1	1	1	1	99
100 POS. CAVITY BLOCK, CODE "D"	1	1	1	1	1	1	1	1	100

NOTES
Bemerkungen

- 1 TE LOGO
TE Logo
- 2 ASSY PN, PRODUCTION DATE (CALENDAR DAY/YEAR): MARKING OPTIONAL AS LASER ENGRAVING OR LASER WITH COLOR CHANGE
Assy PN, Produktionsdatum (Kalendertag/Jahr): Beschriftung wahlweise als Lasergravur oder Laser mit Farbschlag
- 3 BULK PACKAGING IN CORRUGATED BOX
Schuetztuetz im Versandkarton
- 4 CAVITY NUMBERING
Kammer Bezeichnung
- 5 CAVITIES MATED WITH AMP MCP 2.8 SEE PRODUCT GROUP DRAWING
TE NO: 1355036
MAX. WIRE SIZE: 2.5mm² (AWG 12 TXL)
Kontaktkammern passend fuer AMP MCP 2.8 siehe Produktgruppenzeichnung
TE Nr.: 1355036
max. Drahtgroessenbereich: 2.5mm² (AWG 12 TXL)
- 6 SUITABLE COVERS SEE PRODUCT GROUP DRAWING: 1563709
Passende Kappen siehe Produktgruppenzeichnung: 1563709
- 7 SLIDING DISTANCE OF SECONDARY LOCKING
Verschiebeweg der 2. Kontaktsicherung
- 8 FITS TO TE INTERFACE DRAWING 114-18739-1
Passend zur Ausfuhrungsvorschrift 114-18739-1
- 9 SUITABLE COUNTERPART SEE DRAWING: 1703808, 1703818
passendes Gegenstueck siehe Zeichnung: 1703808, 1703818
- 10 MALFUNCTION CAUSED BY LACQUER IS NOT COVERED BY TE WARRANTY.
Funktionsbeeintraehtigung durch Lackieren liegt nicht im Einfluss und Gewaehrleistungsumfang von TE.

1-1418390-1 AS SHOWN
1-1418390-1 wie gezeigt



THIS DRAWING IS A CONTROLLED DOCUMENT. DIESER ZEICHNUNGSDRUCKER KANN DURCH AMP REPRODUZIERTE WERDEN. ANFORDERUNG AN DEN VERLEIHENDE FÜR DEN FOLGENDE DRUCKER: DIESE DRUCKER SIND UNTERSCHIEDLICH ANGEWANDEN UND SIND NICHT FÜR DIESE DRUCKER GEEIGNET.	OWN D. Bischoff CHK J. Grandow APVD E. Eberwein	12APR2006 25APR2006 28AUG2006	TE Connectivity
TOLERANCES UNLESS OTHERWISE SPECIFIED: DIMENSIONS: MILLIMETER (mm) 2 PL ±0.15 3 PL ±0.2 4 PL ±0.3 ANGLES/UMWINKEL: 20°	NAME 4POS. AMP MCP 2.8. REC HSG ASSY 4pos. AMP MCP 2.8. Buchsengehäuse Heavy Duty Sealed Connector Series - Group B	SIZE A1	SCALE 2:1
MATERIAL SEE TABLE siehe Tabelle	WEIGHT 16.7 g	DRAWING NO 114-18756	RESTRICTED TO NEW PUR REV J5
CUSTOMER DRAWING	KUNDENZEICHNUNG	SCALE 2:1	SHEET 1 OF 1