

# Surface Mount RF Transformer

50Ω 0.6 to 160 MHz

## TC16-161T+

### Features

- plastic base with solder plated leads
- excellent amplitude unbalance, 0.1dB typ. and phase unbalance, 0.5 deg. typ.



Generic photo used for illustration purposes only

CASE STYLE: AT224-1A

**+RoHS Compliant**

The +Suffix identifies RoHS Compliance. See our web site for RoHS Compliance methodologies and qualifications

### Applications

- impedance matching
- balanced amplifier

Available Tape and Reel at no extra cost	
Reel Size	Devices/Reel
7"	20, 50, 100, 200, 500
13"	1000, 2000

### Electrical Specifications at 25°C

Parameter	Frequency (MHz)	Min.	Typ.	Max.	Unit
Impedance Ratio (Secondary/Primary)			16		Ohm
Frequency Range		0.6		160	MHz
Insertion Loss*	0.6-160		3		dB
	1.5-120		2		
	3-80		1		

\*Insertion Loss is referenced to mid-band loss, 0.6 dB typ.

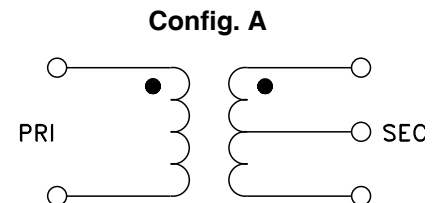
### Maximum Ratings

Parameter	Ratings
Operating Temperature	-40°C to 85°C
Storage Temperature	-55°C to 100°C
RF Power	0.25W
DC Current	30mA

Permanent damage may occur if any of these limits are exceeded.

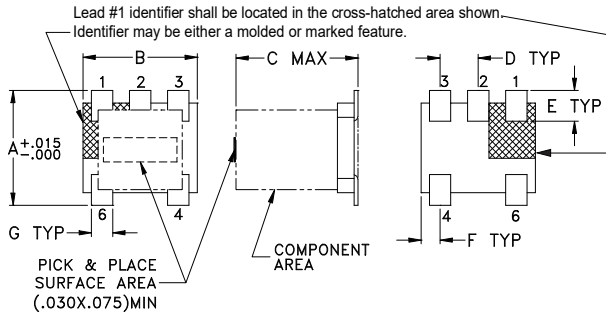
### Pin Connections

Function	Pin Number
PRIMARY DOT	6
PRIMARY	4
SECONDARY DOT	1
SECONDARY CT	2
SECONDARY	3
NOT USED	5

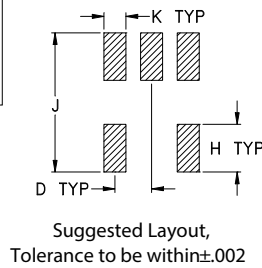


# TC16-161T+

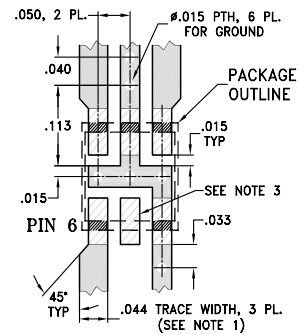
## Outline Drawing



## PCB Land Pattern



## Demo Board MCL P/N: TB-145 Suggested PCB Layout (PL-244)



## Outline Dimensions (Inch/mm)

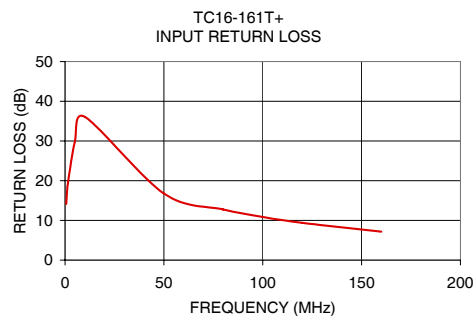
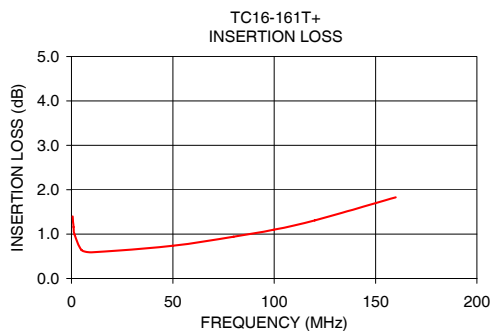
A	B	C	D	E	F
.150	.150	.160	.050	.040	.025
3.81	3.81	4.06	1.27	1.02	0.64
G	H	J	K	wt	
.028	.065	.190	.030	grams	
0.71	1.65	4.83	0.76	0.15	

## NOTES:

1. THICKNESS .020" ± .0015"; COPPER: 1/2 OZ. ON EACH SIDE. FOR OTHER MATERIALS TRACE WIDTH MAY NEED TO BE MODIFIED.
2. BOTTOM SIDE OF THE PCB IS CONTINUOUS GROUND PLANE.
3. THIS PAD IS NOT REQUIRED FOR AT224 CASE STYLE.

- DENOTES PCB COPPER LAYOUT WITH SMOBC (SOLDER MASK OVER BARE COPPER)
- DENOTES COPPER LAND PATTERN FREE OF SOLDER MASK

FREQUENCY (MHz)	INSERTION LOSS (dB)	INPUT R. LOSS (dB)
0.60	1.40	14.15
1.00	1.16	17.14
1.50	0.99	19.51
5.00	0.64	29.93
10.00	0.59	36.06
50.00	0.74	16.77
80.00	0.94	12.74
100.00	1.10	10.87
120.00	1.31	9.38
160.00	1.83	7.18



## Additional Notes

- Performance and quality attributes and conditions not expressly stated in this specification document are intended to be excluded and do not form a part of this specification document.
- Electrical specifications and performance data contained in this specification document are based on Mini-Circuit's applicable established test performance criteria and measurement instructions.
- The parts covered by this specification document are subject to Mini-Circuits standard limited warranty and terms and conditions (collectively, "Standard Terms"); Purchasers of this part are entitled to the rights and benefits contained therein. For a full statement of the Standard Terms and the exclusive rights and remedies thereunder, please visit Mini-Circuits' website at [www.minicircuits.com/MCLStore/terms.jsp](http://www.minicircuits.com/MCLStore/terms.jsp)