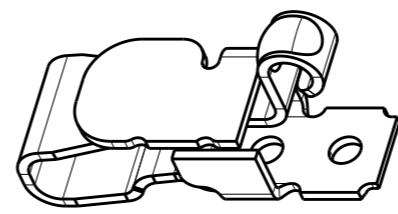
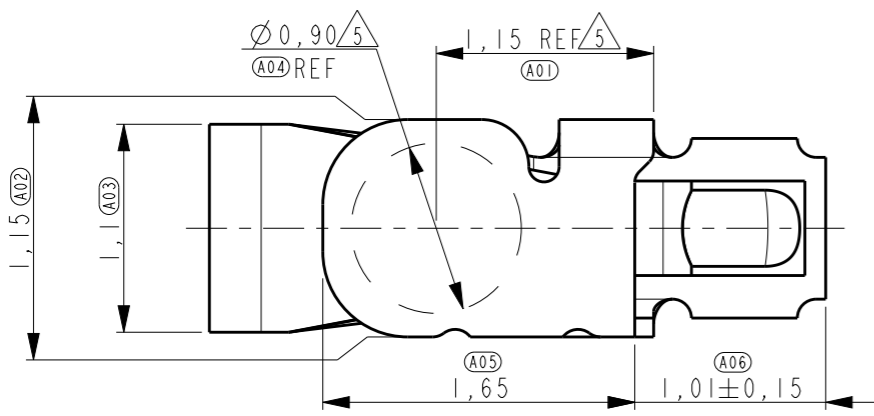
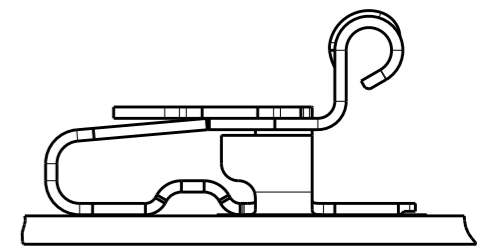


THIS DRAWING IS UNPUBLISHED. RELEASED FOR PUBLICATION  
 © COPYRIGHT - BY - ALL RIGHTS RESERVED.

LOC	DIST	REVISIONS			
P	LTR	DESCRIPTION	DATE	DWN	APVD
ES	00	A2	UPDATE ECR-14-004955	24JUL2014	T.Q W.K

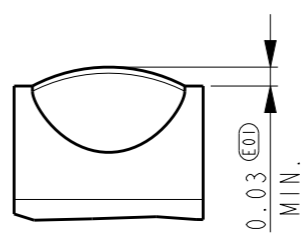
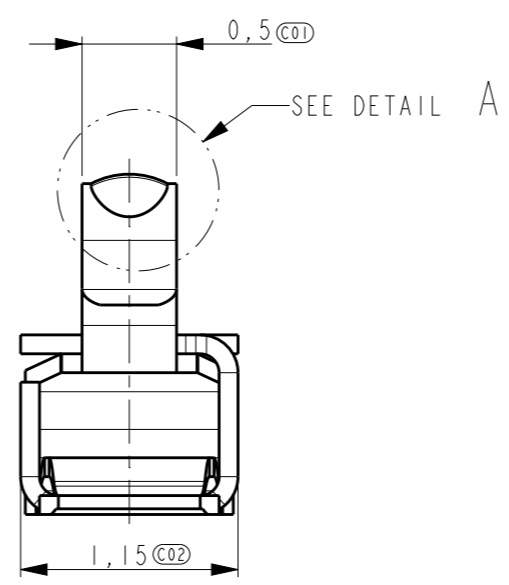
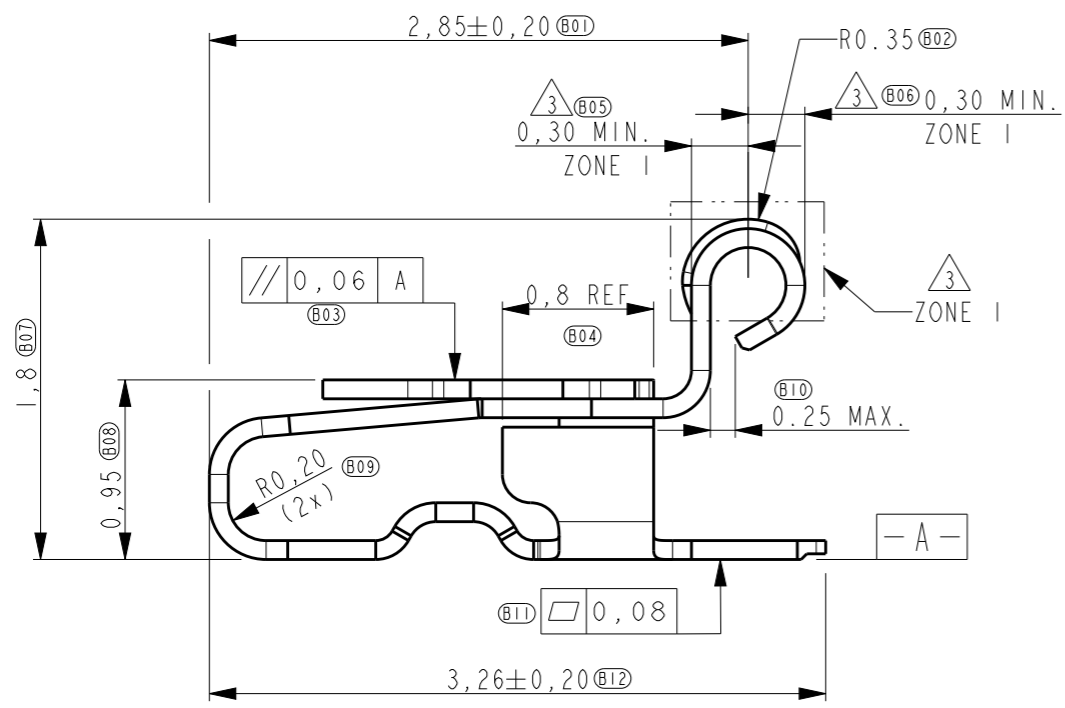


SCALE 15:1

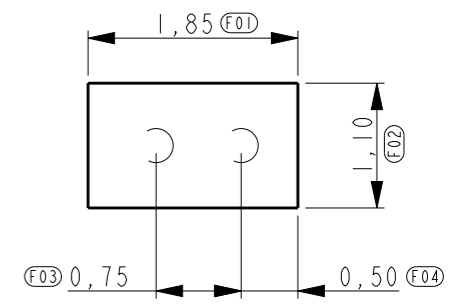


SCALE 15:1

REFERENCE VIEW FOR COMPONENT PLACEMENT

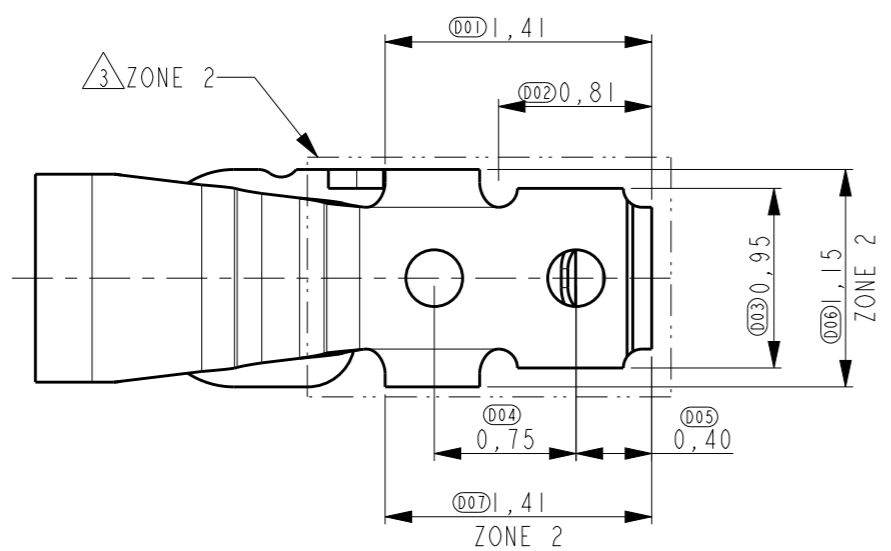


DETAIL A  
SCALE 50:1



SCALE 15:1

RECOMMENDED PWB LAY-OUT(±0.05)  
 DASHED CIRCLES ARE THE LOCATION OF THE SPRING FINGER BOTTOM HOLES

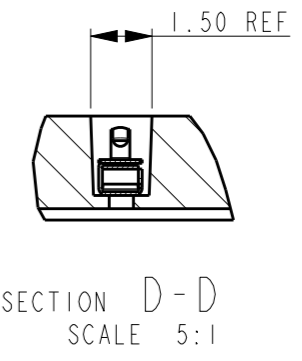
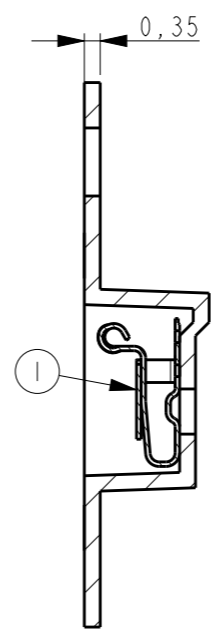
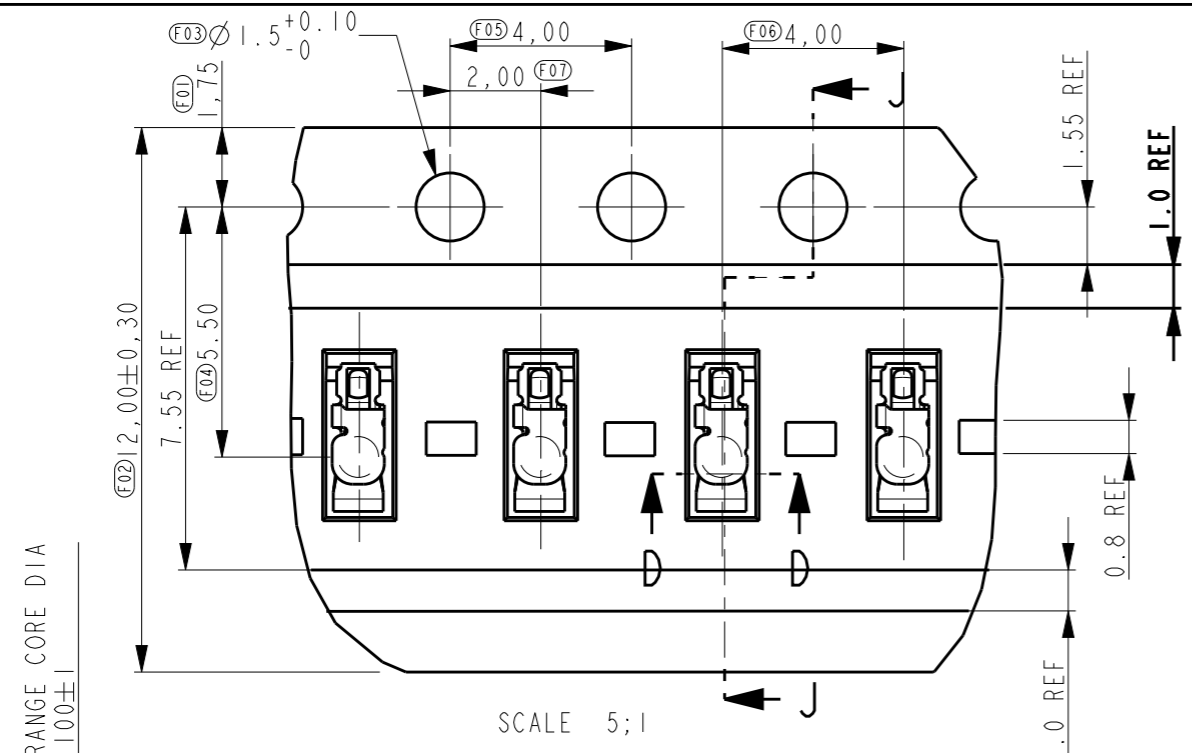


- 1 PART NUMBER: 1551572-5 AS SHOWN.
- 2 MATERIAL: STAINLESS STEEL.
- 3 PLATING: 1,3um MIN. NICKEL UNDERLAYER ALL OVER  
 ZONE 1: 0,30um MIN. GOLD  
 ZONE 2: 0,01-0,2um GOLD FLASH
- 4 NORMAL FORCE: 0.6±0.2N AT THE NORMAL HEIGHT 1.2MM.
- 5 INDICATED SURFACE TO BE USED AS PICK AND PLACE SURFACE.

THIS DRAWING IS A CONTROLLED DOCUMENT.		DWN 06July2010 Tony Zhang	TE Connectivity	
DIMENSIONS: mm		CHK 06July2010 Xiang Xu		
TOLERANCES UNLESS OTHERWISE SPECIFIED:		APVD 06July2010 Steven Yao	NAME SPRING FINGER H=1,8	
0 PLC ±0.2		PRODUCT SPEC 108-115008	RESTRICTED TO	
1 PLC ±0.1		APPLICATION SPEC	SIZE A3	CAGE CODE 00779
2 PLC ±0.1		WEIGHT	DRAWING NO C=1551572	
3 PLC ±0.05			SCALE 25:1	SHEET 1 OF 2
4 PLC ±				REV A2
ANGLES ±5°				
MATERIAL				
FINISH				
CUSTOMER DRAWING				

THIS DRAWING IS UNPUBLISHED. RELEASED FOR PUBLICATION  
 © COPYRIGHT - BY - ALL RIGHTS RESERVED.

LOC	DIST	REVISIONS			
P	LTR	DESCRIPTION	DATE	DWN	APVD
ES	00	SEE SHEET 1	-	-	-

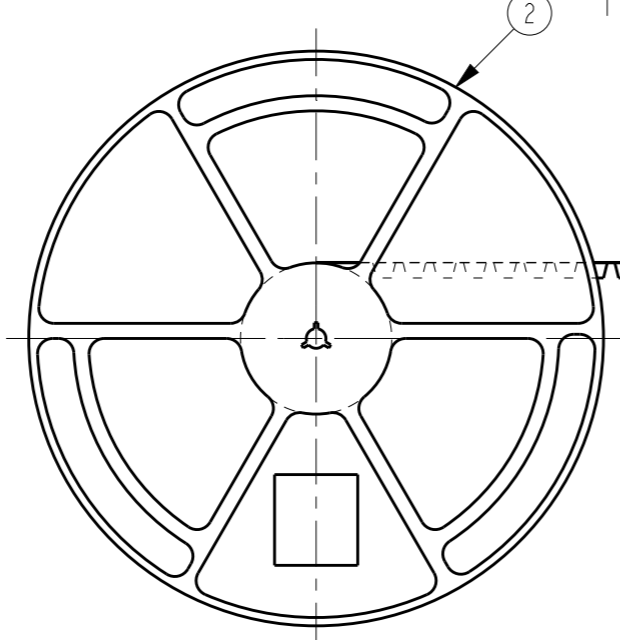
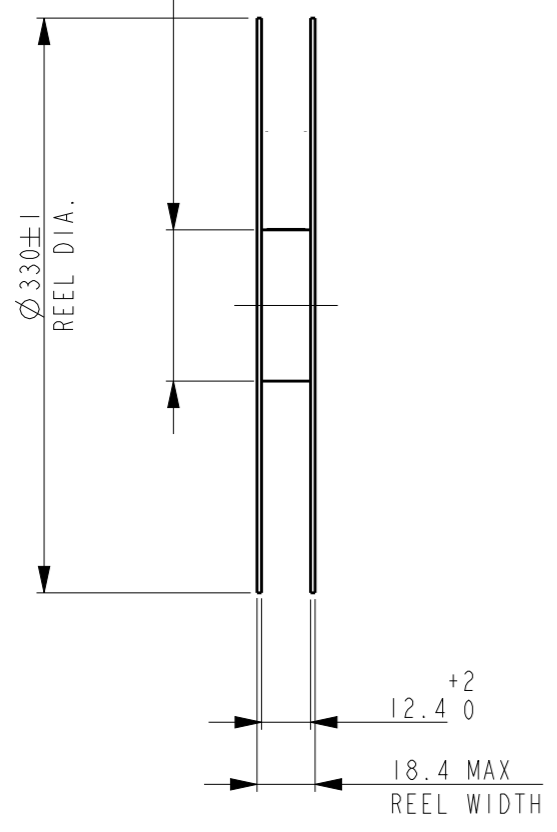


SCALE 5:1

SECTION J-J

165°-180°  
PEELING ANGLE  
0.1~0.7N(300mm/min)  
PEELING STRENGTH

1000mm REF  
WEEDING THE COVER TAPE.



300 REF WITHOUT CHARGE      WITH PRODUCT CHARGE 6000EA/IREEL      WITHOUT CHARGE 100~125HOLES

1	COVER TAPE (HEAT SEALING)	④
1	EMBOSS	③
1	PLASTIC REEL	②
6000	SPRING FINGER	①
QTY	DESCRIPTION	ITEM

PACKAGING REEL AS SHOWN

THIS DRAWING IS A CONTROLLED DOCUMENT.		DWN		<b>TE Connectivity</b>	
DIMENSIONS: mm		CHK			
TOLERANCES UNLESS OTHERWISE SPECIFIED:		APVD			
0 PLC ±0.2 1 PLC ±0.1 2 PLC ±0.1 3 PLC ±0.05 4 PLC ± ANGLES ±5°		PRODUCT SPEC			
MATERIAL		FINISH		NAME SPRING FINGER H=1,8	
				SIZE CAGE CODE DRAWING NO RESTRICTED TO	
				A3 00779 C=1551572	
		CUSTOMER DRAWING		SCALE 25:1 SHEET 2 OF 2 REV A2	