

C3216CH1H683J160AA

TDK Item Description : C3216CH1H683JT****

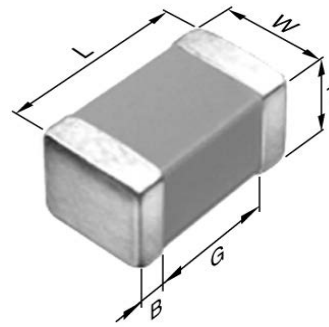


Application & Main Feature

Commercial Grade(Up to 50V)

Series

C3216 [EIA 1206]



Dimensions

L	3.20mm ±0.20mm
W	1.60mm ±0.20mm
T	1.60mm ±0.20mm
B	0.20mm Min.
G	1.00mm Min.

Temperature Characteristic

CH (-25 to 85 degC 0+/-60ppm/degC)

Rated Voltage

1H(50Vdc)

Capacitance

68nF

Capacitance Tolerance

J (±5%)

Q Factor

1000 Min.

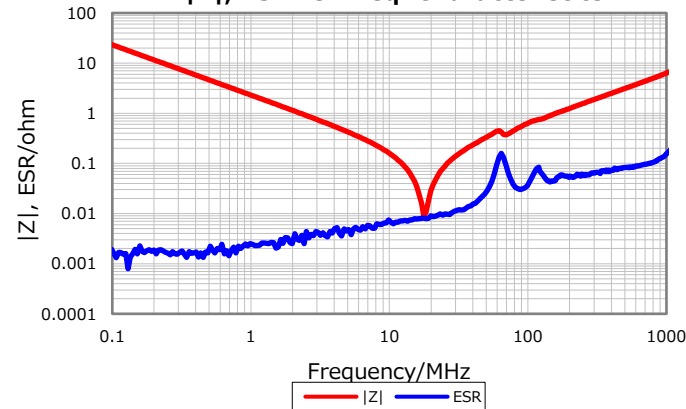
Insulation Resistance

7.352Gohm Min

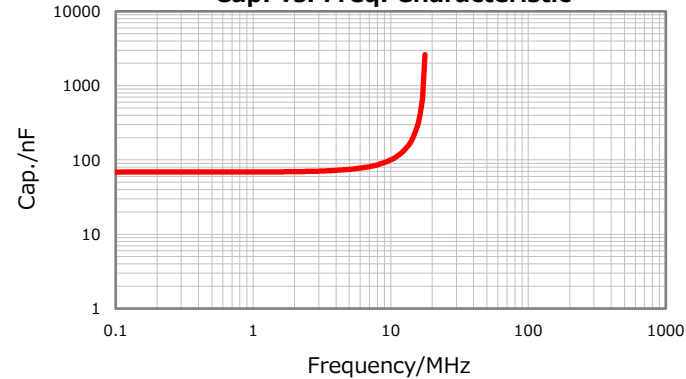
AEC-Q200

Not Applicable

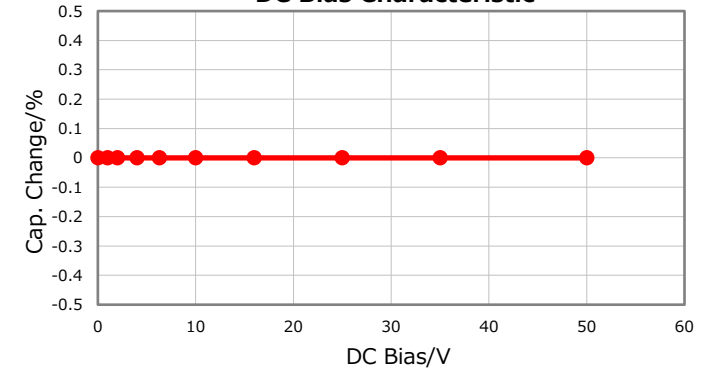
|Z|, ESR vs. Freq. Characteristics



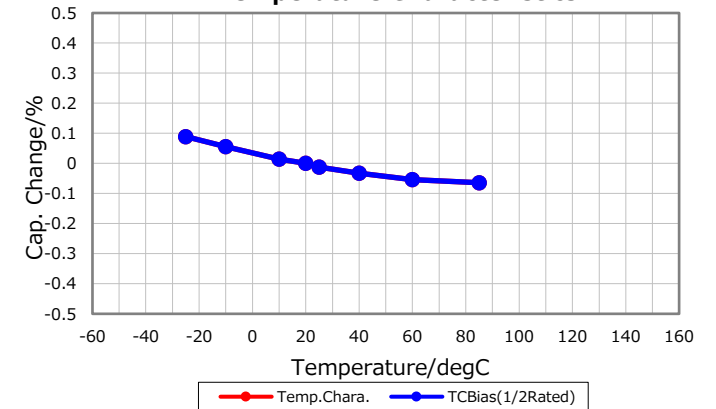
Cap. vs. Freq. Characteristic



DC Bias Characteristic



Temperature Characteristics



Ripple Temperature Rise Characteristics

