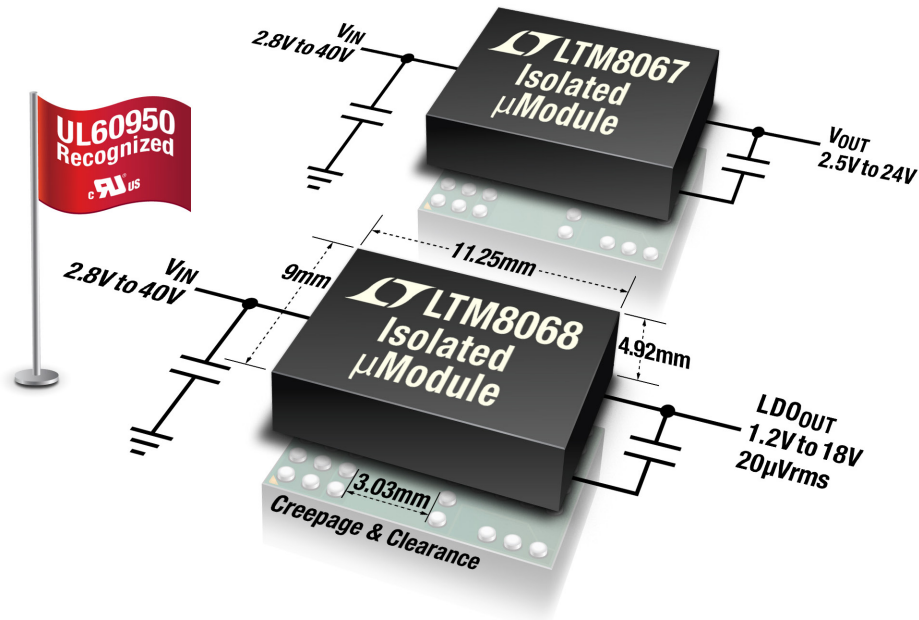


Isolated μ Module Power Products



Simple, Compact, Isolated μ Module DC/DC Converters

Linear Technology's isolated μ Module[®] power products provide simple and compact isolated power supply solutions. These products include isolated transformer, control circuitry, power switch and other supporting components in a small, low profile BGA package. Only a few resistors, input and output capacitors are required to complete the design.

Isolated Voltage	Output		Input Voltage (V)		Output Voltage (V)		Output Ripple	Output Power (24V to 5V)	UL Recognized	BGA Package Dimensions (mm)	Part Number
	Channels	LDO Out	Min	Max	Min	Max					
725VDC	1	–	3.1	32	2.5	12	20mVRMS	1.5W	–	9 × 11.25 × 4.92	LTM8047
	2	Yes	3.1	32	1.2	12	20 μ VRMS	1.5W Combined*	–	9 × 11.25 × 4.92	LTM8048
2kVAC	1	–	3.1	31	2.5	12	20mVRMS	1.5W	UL60950	9 × 11.25 × 4.92	LTM8057
	2	Yes	3.1	31	1.2	12	20 μ VRMS	1.5W Combined*	UL60950	9 × 11.25 × 4.92	LTM8058
	1	–	2.8	40	2.5	24	30mVRMS	2.25W	UL60950	9 × 11.25 × 4.92	LTM8067 new
	2	Yes	2.8	40	1.2	18	20 μ VRMS	2.25W Combined*	UL60950	9 × 11.25 × 4.92	LTM8068 new
	1	–	3.1	31	1.8	12	20mVRMS	2.75W	UL60950	9 × 15 × 4.92	LTM8046

*Combined isolated output and LDO output

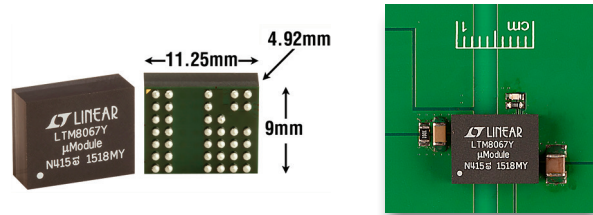


LT, LT, LTC, LTM, Linear Technology, μ Module and the Linear logo are registered trademarks of Linear Technology Corporation. All other trademarks are the property of their respective owners.

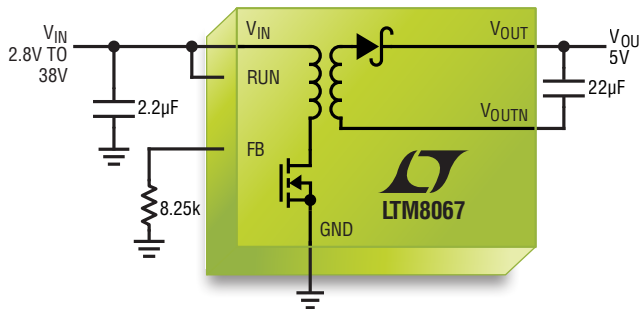
Isolated μ Module Power Products

LTM8067: $2.8V_{IN}$ to $40V_{IN}$ Isolated μ Module DC/DC Converter

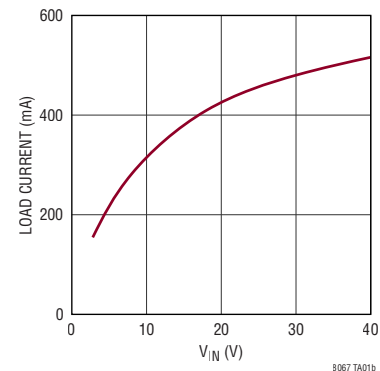
- 2kVAC Isolated μ Module Converter
- UL60950 Recognized File 464570
- Wide Input Voltage Range: 2.8V to 40V
- Up to 450mA Output Current ($V_{IN} = 24V$, $V_{OUT} = 5V$)
- Output Adjustable from 2.5V to 24V
- 9mm \times 11.25mm \times 4.92mm BGA Package



2kVAC Isolated μ Module Regulator

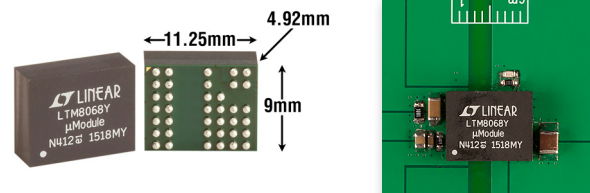


Maximum Output Current vs V_{IN} $V_{OUT} = 5V$

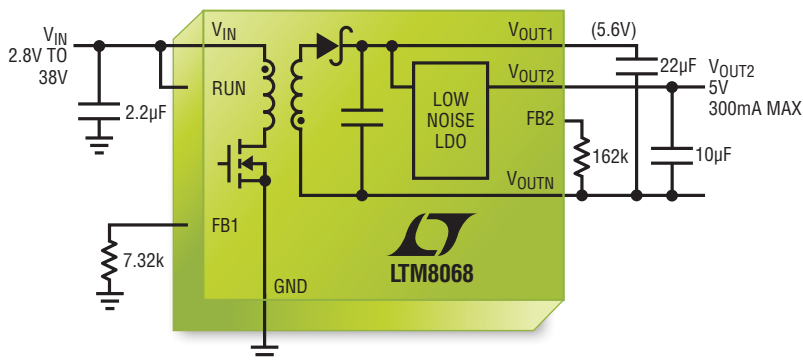


LTM8068: $2.8V_{IN}$ to $40V_{IN}$ Isolated μ Module DC/DC Converter with LDO Post Regulator

- 2kVAC Isolated μ Module Converter
- UL60950 Recognized File E464570
- Wide Input Voltage Range: 2.8V to 40V
- V_{OUT1} Output: Up to 450mA ($V_{IN} = 24V$, $V_{OUT1} = 5V$)
2.5V to 18V Output Range
- V_{OUT2} Low Noise Linear Post Regulator: Up to 300mA
1.2V to 18V Output Range
- 9mm \times 11.25mm \times 4.92mm BGA Package



2kVAC Isolated Low Noise μ Module Regulator



Total Output Current vs V_{IN} $V_{OUT} = 5V$

