

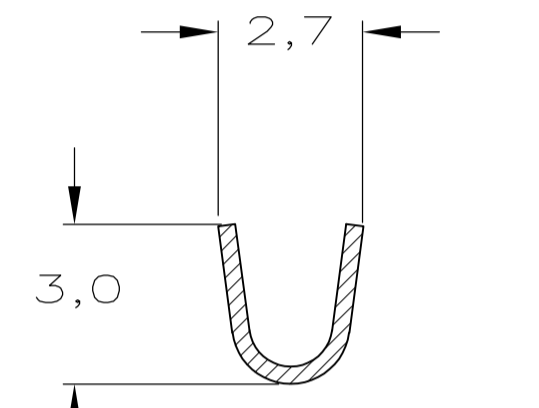
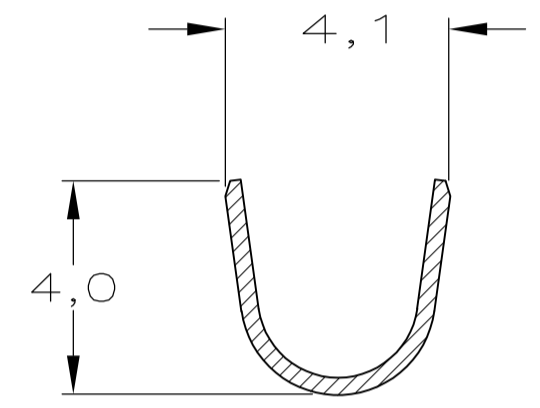
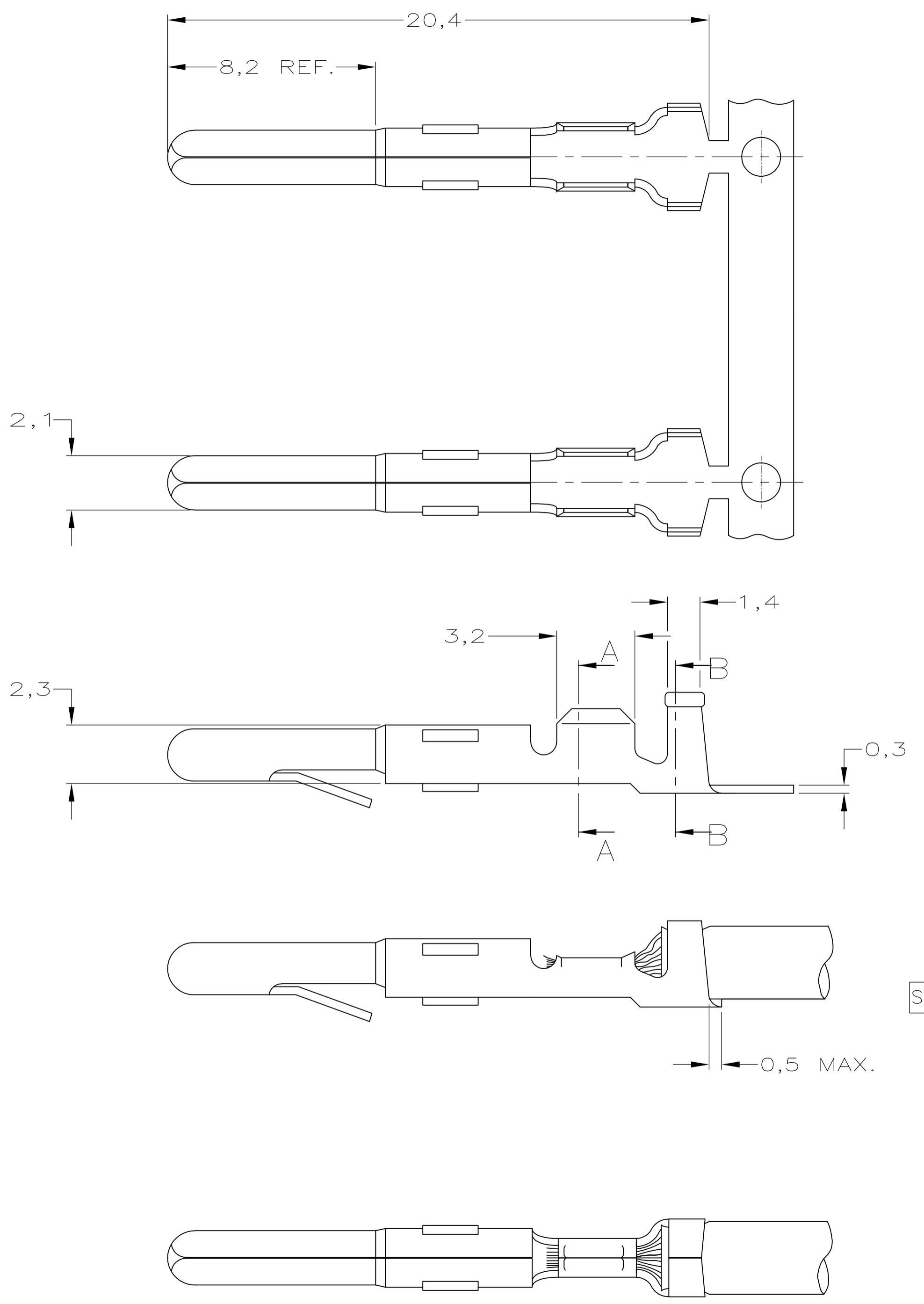
DO NOT SCALE  
DIMENSIONS IN mm

METRIC

THIRD ANGLE  
PROJECTION

NOTES:

- ① FOR USE ON STANDARD APPLICATORS.(RIGHT-LEFT FEED)
- ② FOR USE ON MINIATURE APPLICATORS.(LEFT-RIGHT FEED)
- ③ FOR USE ON MINIATURE APPLICATORS,  
AMP O-MATOR APPLICATION.(LEFT-RIGHT FEED)
- ④ OBSOLETE PARTS: OBSOLETE CIS STREAMLINING PER D.RENAUD/D.SINISI



WIRE RANGE :  
0,5-1,0mm<sup>2</sup> AWG  
INSULATION RANGE :  
1,8-3,3mm DIA.

PLATING	PLATING	MATERIAL	PARTNUMBER
	②	SEL. GOLD	8-163301-3
④ OBSOLETE	③ ①	BRASS	1-163301-7
	②	NICKEL	1-163301-2
	①	NICKEL	1-163301-1
	②	PRE-TINPLATED	163301-8
④ OBSOLETE	②	UNPLATED	163301-7
	②	PRE-TINPLATED	163301-6
④ OBSOLETE	②	UNPLATED	163301-5
	①	PRE-TINPLATED	163301-4
	①	UNPLATED	163301-3
SUP BY 163301-6	①	PRE-TINPLATED	163301-2
	①	UNPLATED	163301-1

K2					REVISED PER ECO-11-05294					RK		HMR		05APR11			
DR.: J.V.D.HEIJDEN.					CHK.: A.BIJNEN.					APP.: L.V.SOEST.		DWG.No.		REV.LTR.		SHEET	
DATE: 10-04-92					DATE: -					DATE: -		C-163301		K2		1 OF 1	
<p>CUSTOMER DRAWING FOR REFERENCE ONLY WILL NOT BE UPDATED</p> <p>© COPYRIGHT 19 - BY -</p> <p>ALL INTERNATIONAL RIGHTS RESERVED.</p> <p>THIS DRAWING IS UNPUBLISHED RELEASED FOR PUBLICATION - ,19 -</p> <p><b>TE</b> TE Connectivity</p> <p>NAME PIN MATE-N-LOK.</p>																	
A3																	