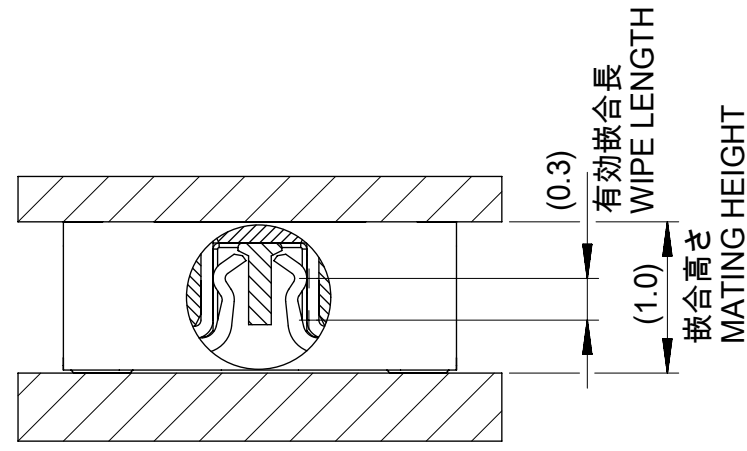


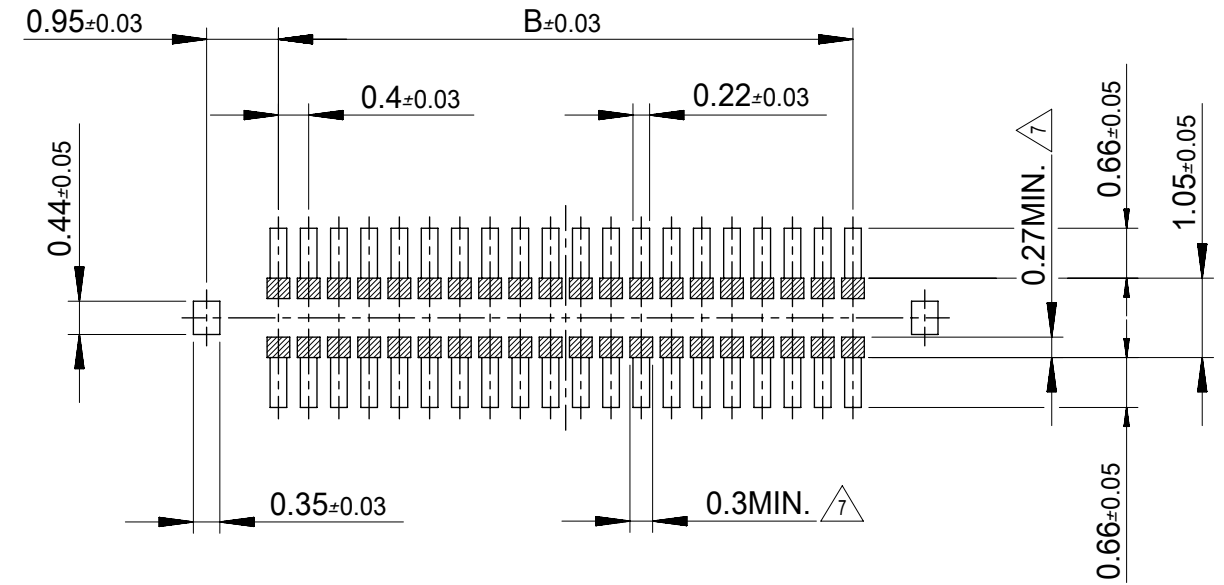
10.0	19.5	17.6	20.26	502430-9030	90
	17.5	15.6	18.26	502430-8030	80
	15.5	13.6	16.26	502430-7030	70
7.0	13.5	11.6	14.26	502430-6030	60
	11.5	9.6	12.26	502430-5030	50
4.0	9.5	7.6	10.26	502430-4030	40
	7.9	6.0	8.66	502430-3230	32
3.4	6.7	4.8	7.46	502430-2630	26
	6.3	4.4	7.06	502430-2430	24
	5.9	4.0	6.66	502430-2230	22
2.4	5.5	3.6	6.26	502430-2030	20
	4.3	2.4	5.06	502430-1430	14
D	C	B	A	EMBOSSED TAPE PACKAGE ORDER No.	CKT.

CONNECTOR SERIES No. : 502430-**39

THIS DRAWING CONTAINS INFORMATION THAT IS PROPRIETARY TO MOLEX ELECTRONIC TECHNOLOGIES, LLC AND SHOULD NOT BE USED WITHOUT WRITTEN PERMISSION		CURRENT REV DESC: REVISED		molex	
DIMENSION UNITS	SCALE				
mm	10:1			0.4 B-TO-B CONN. HGT=1.0 W=2.6 PLUG ASSY WITH TAPE	
GENERAL TOLERANCES (UNLESS SPECIFIED)				PRODUCT CUSTOMER DRAWING	
ANGULAR TOL	± °			DOCUMENT NUMBER	
4 PLACES	±	EC NO: 639809	2020/06/22	SD-502430-003	
3 PLACES	±	DRWN: SCV	2020/07/02	DOC TYPE	DOC PART
2 PLACES	±	CHK'D: HSHIMOMYAMA	2020/07/02	PSD	001
1 PLACE	±	APPR: SHOSHIKAWA	2020/07/02	REVISION	E
0 PLACES	±	INITIAL REVISION:		SHEET NUMBER	
DRAFT WHERE APPLICABLE MUST REMAIN WITHIN DIMENSIONS		DRWN: RTAKEUCHI	2007/12/26	1 OF 2	
THIRD ANGLE PROJECTION		APPR: MSASAO	2007/12/27		
DRAWING		SERIES	MATERIAL NUMBER	CUSTOMER	
A3-SIZE		502430	SEE TABLE	GENERAL	



嵌合断面図 (参考)
MATED DRAWING (REFERENCE)



P.C.BOARD PATTERN LAYOUT
(REFERENCE)

注記 NOTES

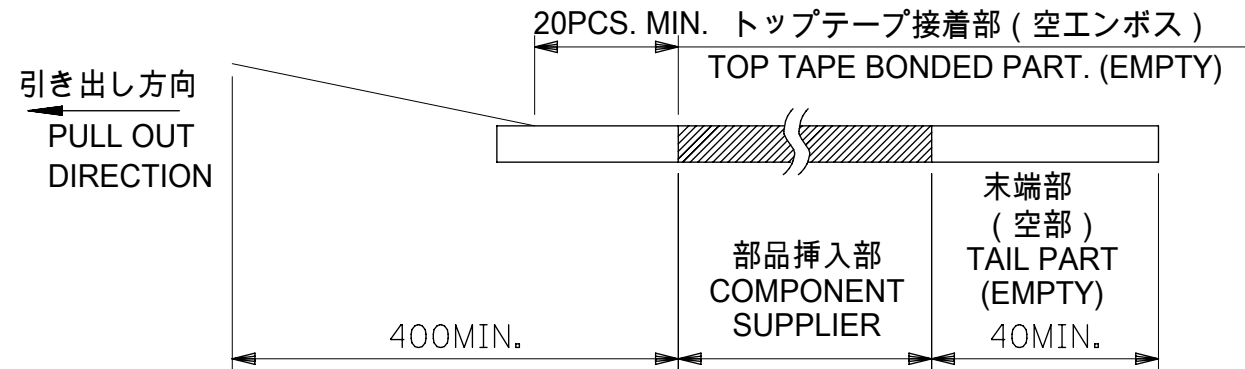
1. 使用材料 MATERIAL
 ウェハー : 液晶ポリマー (LCP) ガラス充填 UL94V-0 (黒)
 WAFER: LIQUID CRYSTAL POLYMER (GLASS FILLED) UL94V-0 (COLOR: BLACK)
 ピン : りん青銅 (t=0.08)
 PIN : PHOSPHOR BRONZE (t=0.08)
 金具 : りん青銅 (t=0.15)
 FITTING NAIL : PHOSPHOR BRONZE (t=0.15)
 吸着テープ : ポリイミド
 VACUUM TAPE : POLYIMIDE
2. メッキ仕様 PLATING
 ピン PIN
 金メッキ 0.1 マイクロメートル以上
 GOLD 0.1 MICROMETER MINIMUM
 下地メッキ : ニッケルメッキ 1.0 マイクロメートル以上
 UNDER PLATING : NICKEL 1.0 MICROMETER MINIMUM
 ※コンタクト部とテール部はニッケルメッキによって分断されている金メッキです。
 DIVIDE INTO PARTS THE GOLD PLATING OF THE CONTACT AND THE TAIL PART BY THE NICKEL PLATING.
 金具 FITTING NAIL
 フラッシュ金メッキ
 FLASH Au PLATING
 下地メッキ : ニッケルメッキ 1.0 マイクロメートル以上
 UNDER PLATING : NICKEL 1.0 MICROMETER MINIMUM

- △3 (全極数 / 2) = 偶数の場合に適用。
 APPLY FOR (CIRCUIT/2)=EVEN.
 4. 嵌合相手 : 502426 シリーズ
 MATE WITH : 502426 SERIES.
 5. テール平坦度は、0.08 以下
 テール及び金具の平坦度は、0.1 以下
 TAIL COPLANARITY TO BE 0.08 MAXIMUM.
 TAIL AND FITTING NAIL COPLANARITY TO BE 0.1 MAXIMUM.
 6. ELV 及び RoHS 適合品
 ELV AND RoHS COMPLIANT.
- △7 斜線部はパターン書込み禁止範囲と半田禁止範囲を示す。
 ただし、斜線部に同一配線を配置する場合はレジストを施し、この部分に半田は無きこと。
 NO PATTERN CIRCUIT AND NO SOLDER ALLOWED IN THE SHADED AREA.
 HOWEVER, IF NEEDED TO ADD A TRACE OF THE SAME CIRCUIT, PUT THE SOLDER-RESIST,
 YET NO SOLDER ALLOWED IN THE AREA.

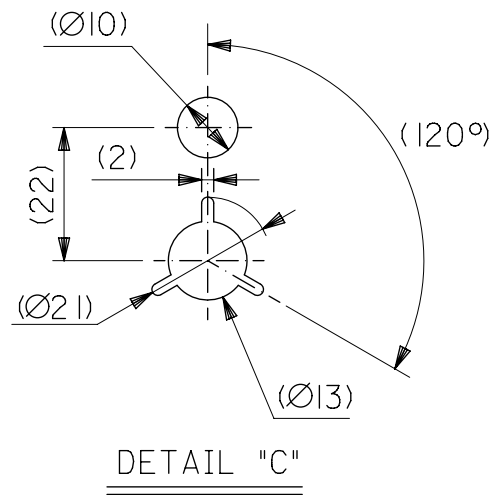
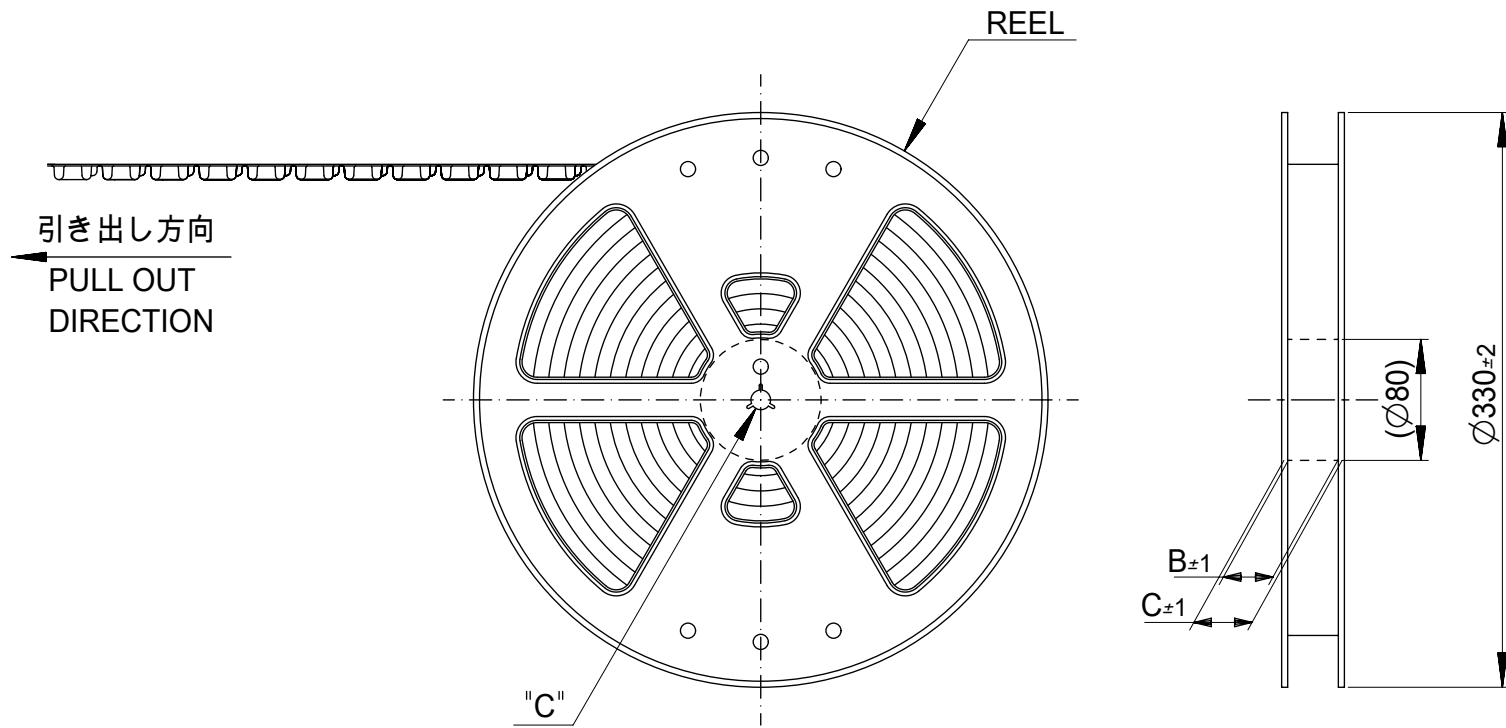
THIS DRAWING CONTAINS INFORMATION THAT IS PROPRIETARY TO MOLEX ELECTRONIC TECHNOLOGIES, LLC AND SHOULD NOT BE USED WITHOUT WRITTEN PERMISSION		CURRENT REV DESC: REVISED		molex	
DIMENSION UNITS mm	SCALE 10:1				
GENERAL TOLERANCES (UNLESS SPECIFIED)		EC NO: 639809		PRODUCT CUSTOMER DRAWING	
ANGULAR TOL	± °	DRWN: SCV	2020/06/22	DOCUMENT NUMBER	
4 PLACES	±	CHK'D: HSHIMOYAMA	2020/07/02	SD-502430-003	
3 PLACES	±	APPR: SHOSHIKAWA	2020/07/02	DOC TYPE	DOC PART
2 PLACES	±	INITIAL REVISION:		PSD	001
1 PLACE	±	DRWN: RTAKEUCHI		REVISION	
0 PLACES	±	APPR: MSASAO		E	
DRAFT WHERE APPLICABLE MUST REMAIN WITHIN DIMENSIONS		THIRD ANGLE PROJECTION	DRAWING	SERIES	MATERIAL NUMBER
			A3-SIZE	502430	SEE SHEET 1
				CUSTOMER	SHEET NUMBER
				GENERAL	2 OF 2

注記 NOTES

- 製品詳細寸法については製品単体図面を参照下さい。
DETAIL DIMENSION, SEE PRODUCT DRAWING.
- 梱包数量: 3000 個 / リール
NUMBER OF CONNECTORS : 3000PCS/REEL
- リードテープ長さ LEAD TAPE LENGTH

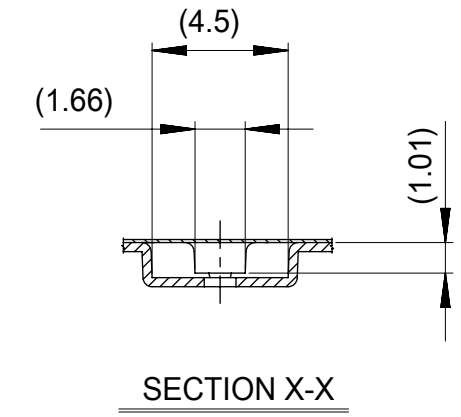
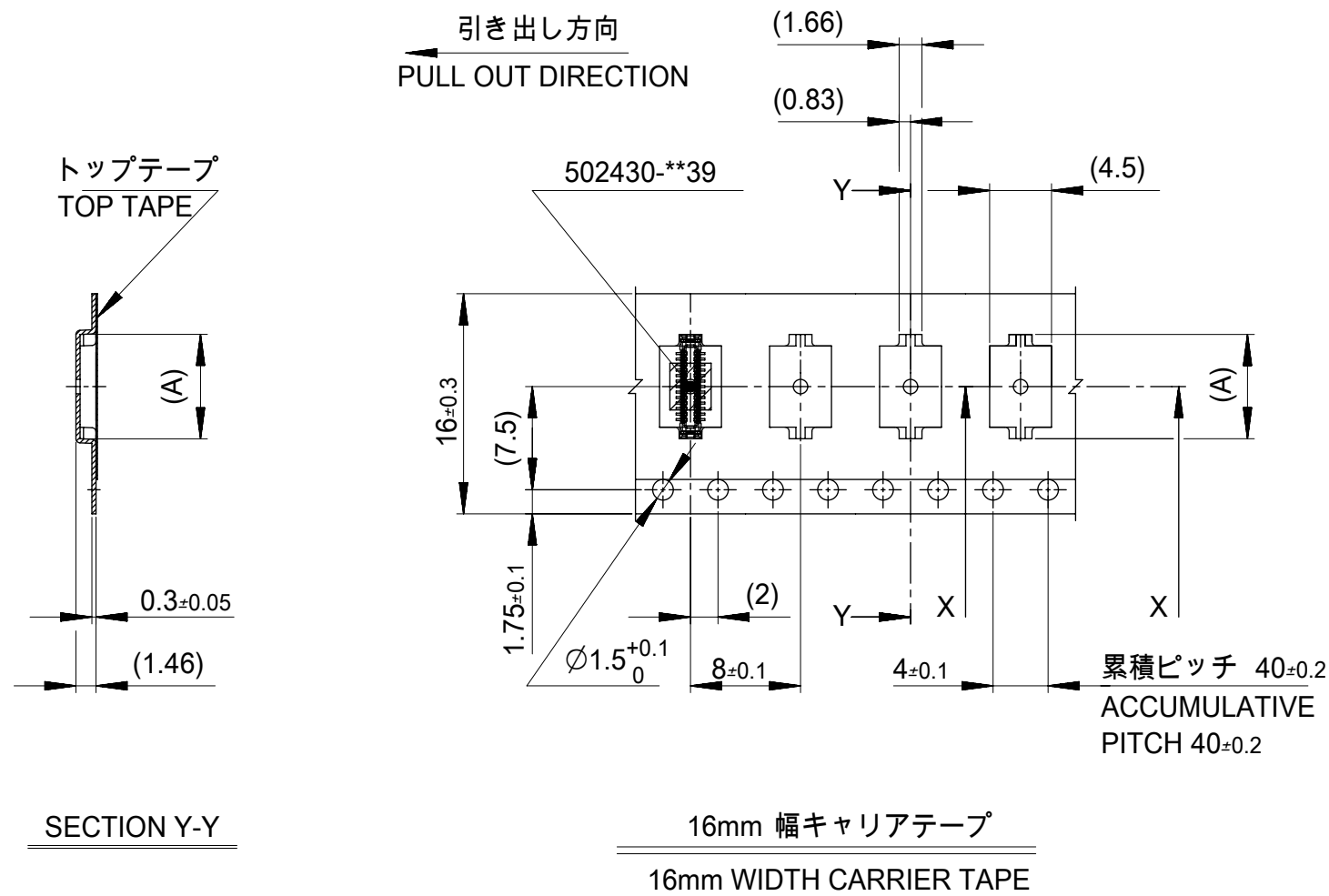


- 材料 MATERIAL
 キャリアテープ (CARRIER TAPE) : ポリスチレン (POLYSTYRENE)
 トップテープ (TOP TAPE) : PET, PE, PEF
 リール (REEL) : ポリスチレン (PS) <リサイクル材を含む>
 POLYSTYRENE (PS) <RECYCLE MATERIAL CONTAINED>
- ELV及びRoHS適合品。
ELV AND RoHS COMPLIANT.



MODEL NO. 502430-**30

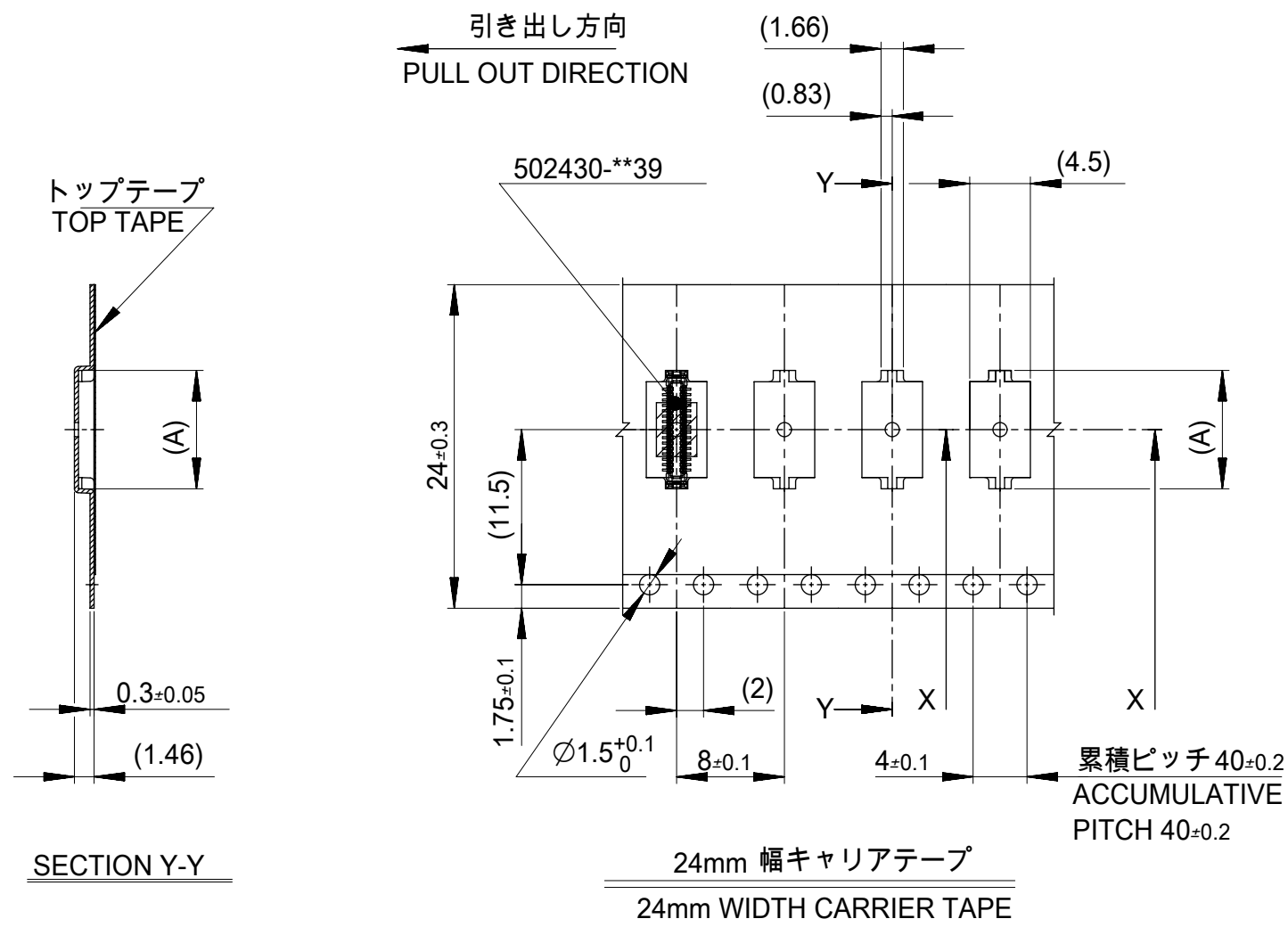
THIS DRAWING CONTAINS INFORMATION THAT IS PROPRIETARY TO MOLEX ELECTRONIC TECHNOLOGIES, LLC AND SHOULD NOT BE USED WITHOUT WRITTEN PERMISSION		CURRENT REV DESC: REVISED			
DIMENSION UNITS	SCALE				
mm	NTS			0.4 B-TO-B CONN. HGT=1.0 W=2.6 PLUG WITH TAPE EMBSTP PKG	
GENERAL TOLERANCES (UNLESS SPECIFIED)				PRODUCT CUSTOMER DRAWING	
ANGULAR TOL	± °			DOCUMENT NUMBER	
4 PLACES	±	EC NO: 639809	2020/06/22	SD-502430-004	
3 PLACES	±	DRWN: SCV	2020/07/02	DOC TYPE	DOC PART
2 PLACES	±	CHK'D: HSHIMOYAMA	2020/07/02	PSD	001
1 PLACE	±	APPR: SHOSHIKAWA	2020/07/02	REVISION	E
0 PLACES	±	INITIAL REVISION:		SHEET NUMBER	
		DRWN: RTAKEUCHI	2007/12/26	1 OF 4	
		APPR: MSASAO	2007/12/27		
DRAFT WHERE APPLICABLE MUST REMAIN WITHIN DIMENSIONS		THIRD ANGLE PROJECTION	DRAWING	SERIES	MATERIAL NUMBER
			A3-SIZE	502430	SEE SHEET 2-4
				CUSTOMER	GENERAL



16	21.4	17.4	7.58	502430-2630	26
			7.18	502430-2430	24
			6.78	502430-2230	22
			6.38	502430-2030	20
			5.18	502430-1430	14
キャリアテープ幅 CARRIER TAPE WIDTH			C	B	(A)
			MATERIAL No.		CKT.
			MODEL No.		502430-***30

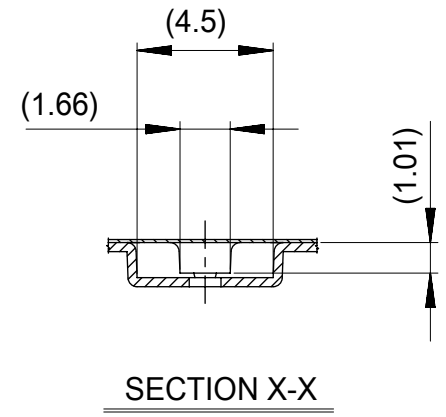
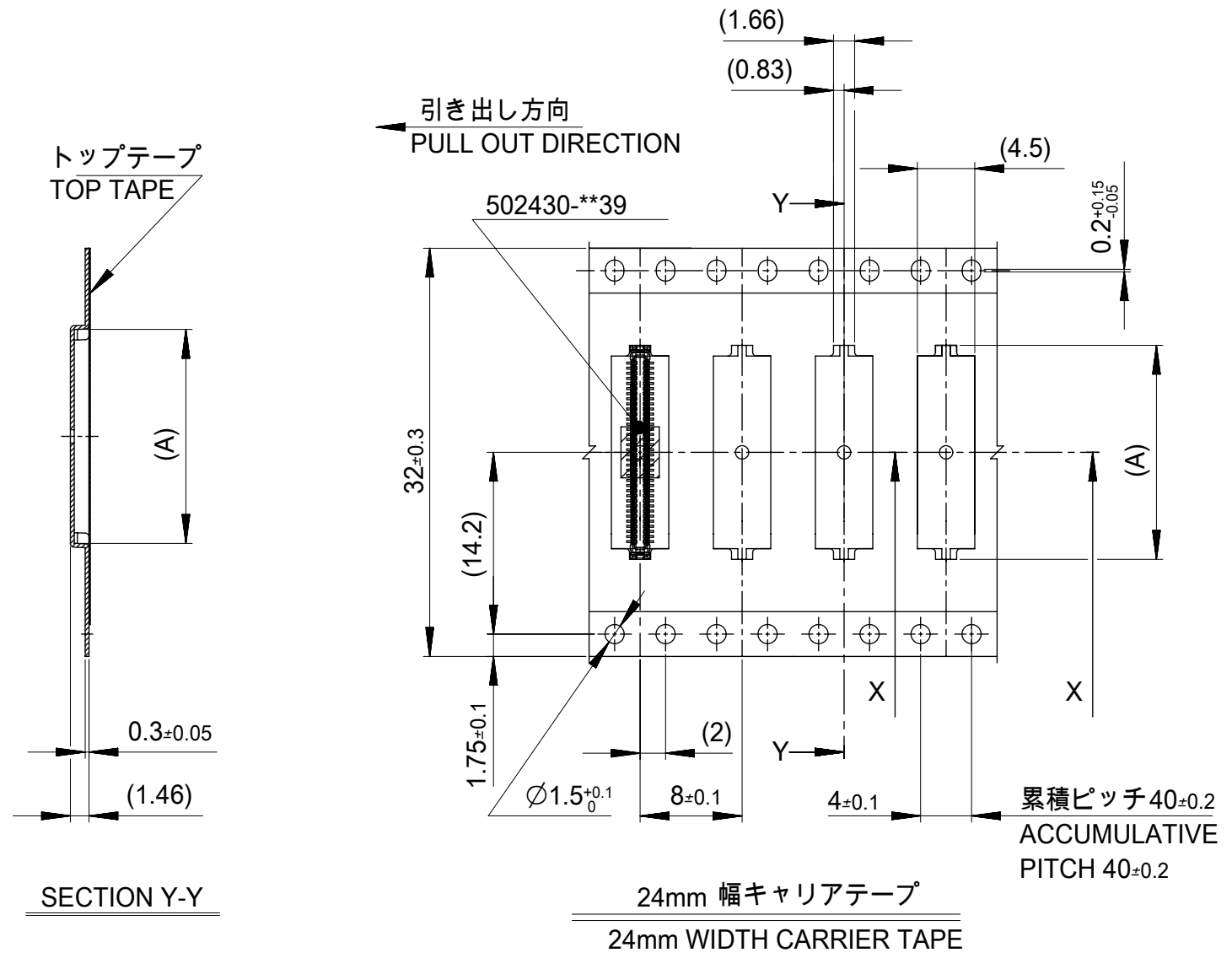
THIS DRAWING CONTAINS INFORMATION THAT IS PROPRIETARY TO MOLEX ELECTRONIC TECHNOLOGIES, LLC AND SHOULD NOT BE USED WITHOUT WRITTEN PERMISSION

DIMENSION UNITS mm	SCALE NTS	CURRENT REV DESC: REVISED			
GENERAL TOLERANCES (UNLESS SPECIFIED)		<p>molex</p> <p>0.4 B-TO-B CONN. HGT=1.0 W=2.6 PLUG WITH TAPE EMBSTP PKG</p> <p>PRODUCT CUSTOMER DRAWING</p>			
ANGULAR TOL	± °				
4 PLACES	±				
3 PLACES	±				
2 PLACES	±				
1 PLACE	±				
0 PLACES	±	EC NO: 639809	2020/06/22	DOCUMENT NUMBER	
DRAFT WHERE APPLICABLE MUST REMAIN WITHIN DIMENSIONS		DRWN: RTAKEUCHI	2007/12/26	SD-502430-004	
THIRD ANGLE PROJECTION		APPR: MSASAO	2007/12/27	DOC TYPE	DOC PART
DRAWING		SERIES		REVISION	
A3-SIZE		502430		PSD	001
MATERIAL NUMBER		CUSTOMER		SHEET NUMBER	
SEE TABLE		GENERAL		2 OF 4	



24	29.4	25.4	14.38	502430-6030	60
			12.38	502430-5030	50
			10.38	502430-4030	40
			8.78	502430-3230	32
キャリアテープ幅 CARRIER TAPE WIDTH			C	B	(A)
			MATERIAL No.		CKT.
			MODEL No.	502430-**30	

THIS DRAWING CONTAINS INFORMATION THAT IS PROPRIETARY TO MOLEX ELECTRONIC TECHNOLOGIES, LLC AND SHOULD NOT BE USED WITHOUT WRITTEN PERMISSION					
DIMENSION UNITS	SCALE	CURRENT REV DESC: REVISED			
mm	NTS	<p>0.4 B-TO-B CONN. HGT=1.0 W=2.6 PLUG WITH TAPE EMBSTP PKG</p> <p>PRODUCT CUSTOMER DRAWING</p>			
GENERAL TOLERANCES (UNLESS SPECIFIED)					
ANGULAR TOL	± °				
4 PLACES	±				
3 PLACES	±				
2 PLACES	±				
1 PLACE	±				
0 PLACES	±	EC NO: 639809	2020/06/22	DOCUMENT NUMBER	DOC TYPE
DRAFT WHERE APPLICABLE MUST REMAIN WITHIN DIMENSIONS		DRWN: RTAKEUCHI	2007/12/26	SD-502430-004	PSD
THIRD ANGLE PROJECTION		APPR: MSASAO	2007/12/27	DOC PART	REVISION
DRAWING		SERIES		MATERIAL NUMBER	CUSTOMER
A3-SIZE		502430		SEE TABLE	GENERAL
				SHEET NUMBER	
				3 OF 4	



32	37.4	33.4	20.38	502430-9030	90
			18.38	502430-8030	80
			16.38	502430-7030	70
キャリアテープ幅 CARRIER TAPE WIDTH			C	B	(A)
			MATERIAL No.		CKT.
			MODEL No.		502430-**30

THIS DRAWING CONTAINS INFORMATION THAT IS PROPRIETARY TO MOLEX ELECTRONIC TECHNOLOGIES, LLC AND SHOULD NOT BE USED WITHOUT WRITTEN PERMISSION

DIMENSION UNITS mm	SCALE NTS	CURRENT REV DESC: REVISED			
GENERAL TOLERANCES (UNLESS SPECIFIED)		<p>0.4 B-TO-B CONN. HGT=1.0 W=2.6 PLUG WITH TAPE EMBSTP PKG</p> <p>PRODUCT CUSTOMER DRAWING</p>			
ANGULAR TOL	± °				
4 PLACES	±				
3 PLACES	±				
2 PLACES	±				
1 PLACE	±				
0 PLACES	±	EC NO: 639809	2020/06/22	DOCUMENT NUMBER	
DRAFT WHERE APPLICABLE MUST REMAIN WITHIN DIMENSIONS		THIRD ANGLE PROJECTION		DRAWING	SHEET NUMBER
		DRWN: RTAKEUCHI		SERIES	MATERIAL NUMBER
		APPR: MSASAO		502430	SEE TABLE
		2007/12/26		CUSTOMER	GENERAL
		2007/12/27		PSD	001
		2007/12/27		REVISION	E