

## SN75LVDS83A Flatlink™ Transmitter

### 1 Features

- LVDS Display SerDes Interfaces Directly to LCD Display Panels with Integrated LVDS
- Package Options: 8.1 mm x 14 mm TSSOP
- 3.3-V Tolerant Data Inputs
- Transfer Rate up to 100 Mpps (Mega Pixel Per Second)
- Pixel Clock Frequency Range: 10 MHz to 100 MHz
- Suited for Display Resolutions Ranging From HVGA up to HD With Low EMI
- Operates From a Single 3.3-V Supply and 170 mW (Typical) at 75 MHz
- 28 Data Channels Plus Clock In Low-Voltage TTL to 4 Data Channels Plus Clock Out Low-Voltage Differential
- Consumes Less Than 1 mW When Disabled
- Selectable Rising or Falling Clock Edge Triggered Inputs
- ESD: 5000 V HBM
- Support Spread Spectrum Clocking (SSC)
- Compatible With all OMAP™ 2x, OMAP™ 3x, and DaVinci™ Application Processors

### 2 Applications

- Tablets
- Industrial PC, Laptop, and Other Factory Automation Displays
- Patient Monitor and Medical Equipment Displays
- Electronic Point-of-Sale (EPOS) Displays
- Printer Displays

### 3 Description

The SN75LVDS83A Flatlink™ transmitter device contains four 7-bit parallel-load serial-out shift registers, a 7x clock synthesizer, and five Low-Voltage Differential Signaling (LVDS) line drivers in a single integrated circuit. These functions allow 28 bits of single-ended LVTTTL data to be synchronously transmitted over five balanced-pair conductors for receipt by a compatible receiver, such as the SN75LVDS82 and LCD panels with integrated LVDS receiver.

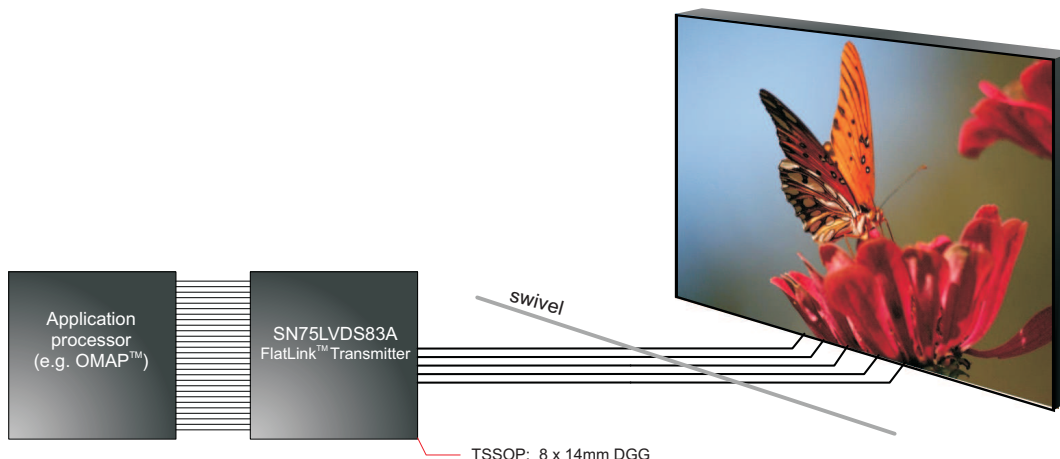
When transmitting, data bits D0 through D27 are each loaded into registers upon the edge of the input clock signal (CLKIN). The rising or falling edge of the clock can be selected via the clock select (CLKSEL) pin. The frequency of CLKIN is multiplied seven times, and then used to unload the data registers in 7-bit slices and serially. The four serial streams and a phase-locked clock (CLKOUT) are then output to LVDS output drivers. The frequency of CLKOUT is the same as the input clock, CLKIN.

#### Device Information<sup>(1)</sup>

PART NUMBER	PACKAGE	BODY SIZE (NOM)
SN75LVDS83A	TSSOP (56)	14.00 mm x 6.10 mm

(1) For all available packages, see the orderable addendum at the end of the data sheet.

#### LVDS Application



## Table of Contents

<b>1 Features</b> ..... 1 <b>2 Applications</b> ..... 1 <b>3 Description</b> ..... 1 <b>4 Revision History</b> ..... 2 <b>5 Description (continued)</b> ..... 3 <b>6 Pin Configuration and Functions</b> ..... 3 <b>7 Specifications</b> ..... 6 7.1 Absolute Maximum Ratings ..... 6 7.2 ESD Ratings ..... 6 7.3 Recommended Operating Conditions ..... 6 7.4 Thermal Information ..... 6 7.5 Electrical Characteristics ..... 7 7.6 Dissipation Ratings ..... 7 7.7 Timing Requirements ..... 8 7.8 Switching Characteristics ..... 8 7.9 Typical Characteristics ..... 10 <b>8 Parameter Measurement Information</b> ..... 11 <b>9 Detailed Description</b> ..... 14	9.1 Overview ..... 14 9.2 Functional Block Diagram ..... 14 9.3 Feature Description ..... 15 9.4 Device Functional Modes ..... 16 <b>10 Application and Implementation</b> ..... 17 10.1 Application Information ..... 17 10.2 Typical Application ..... 23 <b>11 Power Supply Recommendations</b> ..... 27 <b>12 Layout</b> ..... 27 12.1 Layout Guidelines ..... 27 12.2 Layout Example ..... 29 <b>13 Device and Documentation Support</b> ..... 31 13.1 Receiving Notification of Documentation Updates ..... 31 13.2 Community Resources ..... 31 13.3 Trademarks ..... 31 13.4 Electrostatic Discharge Caution ..... 31 13.5 Glossary ..... 31 <b>14 Mechanical, Packaging, and Orderable Information</b> ..... 31
----------------------------------------------------------------------------------------------------------------------------------------------------------------------------------------------------------------------------------------------------------------------------------------------------------------------------------------------------------------------------------------------------------------------------------------------------------------------------------------------------------------------------------------------------------------------------------------------------------------------------------------------------------------------------------------------------------------------------	-----------------------------------------------------------------------------------------------------------------------------------------------------------------------------------------------------------------------------------------------------------------------------------------------------------------------------------------------------------------------------------------------------------------------------------------------------------------------------------------------------------------------------------------------------------------------------------------------------------------------------------------------------------------------------------------------------------------------------------------------------------------------------

## 4 Revision History

NOTE: Page numbers for previous revisions may differ from page numbers in the current version.

Changes from Revision D (June 2011) to Revision E	Page
<ul style="list-style-type: none"> <li>• Added <i>ESD Ratings</i> table, <i>Feature Description</i> section, <i>Device Functional Modes</i>, <i>Application and Implementation</i> section, <i>Power Supply Recommendations</i> section, <i>Layout</i> section, <i>Device and Documentation Support</i> section, and <i>Mechanical, Packaging, and Orderable Information</i> section. .... 1</li> <li>• Deleted <i>Ordering Information</i> table; see POA at the end of the data sheet. .... 1</li> <li>• Added <i>Thermal Information</i> table ..... 6</li> </ul>	
Changes from Revision C (August 2009) to Revision D	Page
<ul style="list-style-type: none"> <li>• Changed <i>24-Bit Color Host</i> to <i>24-bit LCD Panel Application Schematic</i> From: G7(LSB) To: G7(MSB) ..... 18</li> </ul>	
Changes from Revision B (July 2009) to Revision C	Page
<ul style="list-style-type: none"> <li>• Deleted sentence in the Pin Functions table for entry D0 - D27 - "supports 1.8V to 3.3V input voltage selectable by VDD supply." ..... 4</li> </ul>	
Changes from Revision A (June 2009) to Revision B	Page
<ul style="list-style-type: none"> <li>• Changed the data sheet From: Product Preview To: Production. .... 1</li> </ul>	
Changes from Original (June 2009) to Revision A	Page
<ul style="list-style-type: none"> <li>• Changed Description text From: Alternative device option: The SN75LVDS83A is an alternative... To: Alternative device option: The SN75LVDS83B is an alternative. .... 3</li> <li>• Changed <i>Typical PRBS Output Signal vs Over One Clock Period</i> graph. .... 10</li> </ul>	

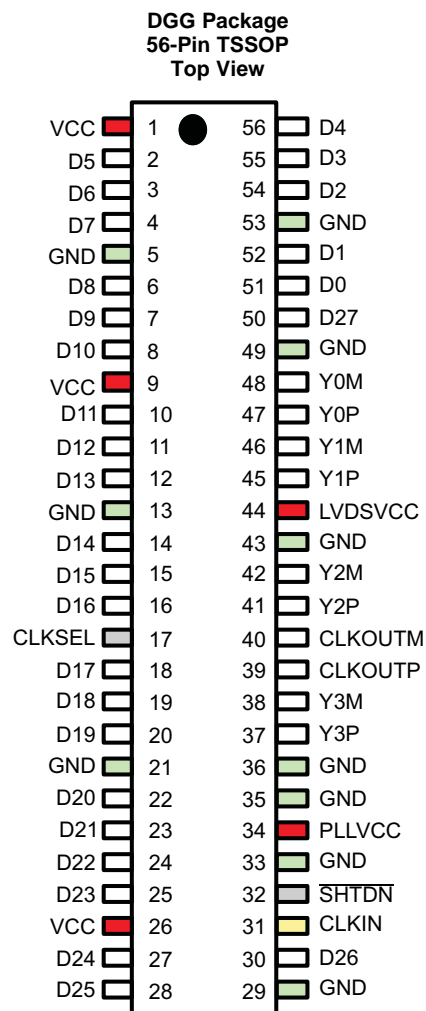
## 5 Description (continued)

The SN75LVDS83A requires no external components and little or no control. The data bus appears the same at the input to the transmitter and output of the receiver with the data transmission transparent to the user(s). The only user intervention is selecting a clock rising edge by inputting a high level to CLKSEL or a falling edge with a low-level input, and the possible use of the Shutdown/Clear (SHTDN). SHTDN is an active-low input to inhibit the clock, and shut off the LVDS output drivers for lower power consumption. A low-level on this signal clears all internal registers to a low-level.

The SN75LVDS83A is characterized for operation over ambient air temperatures of  $-10^{\circ}\text{C}$  to  $70^{\circ}\text{C}$ .

Alternative device option: The SN75LVDS83B is an alternative to the SN75LVDS83A for clock frequency range of 10 MHz to 135 MHz. The SN75LVDS83B is available in a smaller BGA package in addition to the TSSOP package.

## 6 Pin Configuration and Functions



**Pin Functions**

PIN		TYPE <sup>(1)</sup>	DESCRIPTION
NAME	NO.		
CLKIN	31	I	CMOS with pulldown; input pixel clock; rising or falling clock polarity is selectable by Control input CLKSEL.
CLKOUTM	40	O	Differential LVDS pixel clock output. Output is high-impedance when SHTDN is pulled low (de-asserted).
CLKOUTP	39	O	
CLKSEL	17	I	CMOS with pulldown; selects between rising edge input clock trigger (CLKSEL = V <sub>IH</sub> ) and falling edge input clock trigger (CLKSEL = V <sub>IL</sub> ).
D0	51	I	CMOS with pulldown; data inputs. To connect a graphic source successfully to a display, the bit assignment of D[27:0] is critical (and not necessarily intuitive). For input bit assignment, see <a href="#">Figure 14</a> to <a href="#">Figure 17</a> for details. Note: if application only requires 18-bit color, connect unused inputs D5, D10, D11, D16, D17, D23, and D27 to GND.
D1	52	I	
D2	54	I	
D3	55	I	
D4	56	I	
D5	2	I	
D6	3	I	
D7	4	I	
D8	6	I	
D9	7	I	
D10	8	I	
D11	10	I	
D12	11	I	
D13	12	I	
D14	14	I	
D15	15	I	
D16	16	I	
D17	18	I	
D18	19	I	
D19	20	I	
D20	22	I	
D21	23	I	
D22	24	I	
D23	25	I	
D24	27	I	
D25	28	I	
D26	30	I	
D27	50	I	
GND	5, 23, 21, 29, 43, 49, 53	P	Supply ground for VCC, LVDSVCC, and PLLVCC <sup>(2)</sup>
LVDSVCC	44	P	3.3-V LVDS output analog supply <sup>(2)</sup>
PLLVCC	34	P	3.3-V PLL analog supply <sup>(2)</sup>
SHTDN	32	I	CMOS with pulldown; device shut down; pull low (deassert) to shut down the device (low power, resets all registers) and high (assert) for normal operation.
VCC	1, 9, 26	P	3.3-V digital supply voltage <sup>(2)</sup>
Y0M	48	O	Differential LVDS data outputs. Output is high-impedance when SHTDN is pulled low (deasserted).
Y0P	47	O	Differential LVDS data outputs. Output is high-impedance when SHTDN is pulled low (deasserted).

(1) I = Input, O = Output, P = Power

(2) For a multi-layer PCB, TI recommends keeping one common GND layer underneath the device and connecting all ground terminals directly to this plane.

**Pin Functions (continued)**

PIN		TYPE <sup>(1)</sup>	DESCRIPTION
NAME	NO.		
Y1M	46	O	Differential LVDS data outputs. Output is high-impedance when $\overline{\text{SHTDN}}$ is pulled low (deasserted).
Y1P	45	O	Differential LVDS data outputs. Output is high-impedance when $\overline{\text{SHTDN}}$ is pulled low (deasserted).
Y2M	42	O	Differential LVDS data outputs. Output is high-impedance when $\overline{\text{SHTDN}}$ is pulled low (deasserted).
Y2P	41	O	Differential LVDS data outputs. Output is high-impedance when $\overline{\text{SHTDN}}$ is pulled low (deasserted).
Y3M	38	O	Differential LVDS Data outputs. Output is high-impedance when $\overline{\text{SHTDN}}$ is pulled low (deasserted). Note: If the application only requires 18-bit color, this output can be left open.
Y3P	37	O	Differential LVDS Data outputs. Output is high-impedance when $\overline{\text{SHTDN}}$ is pulled low (deasserted). Note: If the application only requires 18-bit color, this output can be left open.

## 7 Specifications

### 7.1 Absolute Maximum Ratings<sup>(1)</sup>

	MIN	MAX	UNIT
Supply voltage, VCC, LVDSVCC, PLLVCC <sup>(2)</sup>	–0.5	4	V
Voltage at any output terminal	–0.5	VCC + 0.5	V
Voltage at any input terminal	–0.5	VCC + 0.5	V
Continuous power dissipation	See <a href="#">Dissipation Ratings</a>		
Storage temperature, T <sub>stg</sub>	–65	150	°C

- (1) Stresses beyond those listed under *Absolute Maximum Ratings* may cause permanent damage to the device. These are stress ratings only, which do not imply functional operation of the device at these or any other conditions beyond those indicated under *Recommended Operating Conditions*. Exposure to absolute-maximum-rated conditions for extended periods may affect device reliability.
- (2) All voltages are with respect to the GND terminals.

### 7.2 ESD Ratings

		VALUE	UNIT
V <sub>(ESD)</sub>	Electrostatic discharge		
	Human-body model (HBM) <sup>(1)</sup>	±5000	V
	Charged-device model (CDM) <sup>(2)</sup>	±500	
Machine model (MM) <sup>(3)</sup>	±150		

- (1) In accordance with JEDEC Standard 22, Test Method A114-A.
- (2) In accordance with JEDEC Standard 22, Test Method C101.
- (3) In accordance with JEDEC Standard 22, Test Method A115-A.

### 7.3 Recommended Operating Conditions

over operating free-air temperature range (unless otherwise noted)

		MIN	NOM	MAX	UNIT
VCC	Supply voltage	3	3.3	3.6	V
LVDSVCC	LVDS output supply voltage	3	3.3	3.6	V
PLLVCC	PLL analog supply voltage	3	3.3	3.6	V
	Power supply noise on any VCC terminal			0.1	V
V <sub>IH</sub>	High-level input voltage	VCC/2 + 0.5			V
V <sub>IL</sub>	Low-level input voltage		VCC/2 – 0.5		V
Z <sub>L</sub>	Differential load impedance	90		132	Ω
T <sub>A</sub>	Operating free-air temperature	–10		70	°C

### 7.4 Thermal Information

THERMAL METRIC <sup>(1)</sup>		SN75LVDS83A	UNIT
		DGG (TSSOP)	
		56 PINS	
R <sub>θJA</sub>	Junction-to-ambient thermal resistance	62.1	°C/W
R <sub>θJC(top)</sub>	Junction-to-case (top) thermal resistance	18.5	°C/W
R <sub>θJB</sub>	Junction-to-board thermal resistance	31.1	°C/W
ψ <sub>JT</sub>	Junction-to-top characterization parameter	0.8	°C/W
ψ <sub>JB</sub>	Junction-to-board characterization parameter	30.8	°C/W
R <sub>θJC(bot)</sub>	Junction-to-case (bottom) thermal resistance	—	°C/W

- (1) For more information about traditional and new thermal metrics, see the [Semiconductor and IC Package Thermal Metrics](#) application report.

## 7.5 Electrical Characteristics

over operating free-air temperature range (unless otherwise noted)

PARAMETER	TEST CONDITIONS	MIN	TYP <sup>(1)</sup>	MAX	UNIT
$V_T$	Input voltage threshold	$R_L = 100 \Omega$ , see Figure 6			V
$ V_{OD} $	Differential steady-state output voltage magnitude	$R_L = 100 \Omega$ , see Figure 6			mV
$\Delta V_{OD} $	Change in the steady-state differential output voltage magnitude between opposite binary states	$R_L = 100 \Omega$ , see Figure 6			mV
$V_{OC(SS)}$	Steady-state common-mode output voltage	$t_{R/F} (Dx, CLKin) = 1 \text{ ns}$ , see Figure 6			V
$V_{OC(PP)}$	Peak-to-peak common-mode output voltage	$t_{R/F} (Dx, CLKin) = 1 \text{ ns}$ , see Figure 6			mV
$I_{IH}$	High-level input current	$V_{IH} = V_{CC}$			$\mu\text{A}$
$I_{IL}$	Low-level input current	$V_{IL} = 0 \text{ V}$			$\mu\text{A}$
$I_{OS}$	Short-circuit output current	$V_{OY} = 0 \text{ V}$			$\pm 24$ mA
		$V_{OD} = 0 \text{ V}$			$\pm 12$ mA
$I_{OZ}$	High-impedance state output current	$V_O = 0 \text{ V to } V_{CC}$			$\pm 20$ $\mu\text{A}$
$R_{pdn}$	Input pulldown integrated resistor on all inputs	Dx, CLKSEL, $\overline{\text{SHTDN}}$ , CLKIN			100 k $\Omega$
$I_Q$	Quiescent current	$\overline{\text{SHTDN}} = V_{IL}$ , disabled, all inputs at GND			2 $\mu\text{A}$
$I_{CC}$	Supply current (average)	$\overline{\text{SHTDN}} = V_{IH}$ , $R_L = 100 \Omega$ (5 places), grayscale pattern (Figure 7), $V_{CC} = 3.3 \text{ V}$ , $f_{CLK} = 75 \text{ MHz}$			52.3 mA
		$\overline{\text{SHTDN}} = V_{IH}$ , $R_L = 100 \Omega$ (5 places), 50% transition density pattern (Figure 7), $V_{CC} = 3.3 \text{ V}$ , $f_{CLK} = 75 \text{ MHz}$			53.9 mA
		$\overline{\text{SHTDN}} = V_{IH}$ , $R_L = 100 \Omega$ (5 places), worst-case pattern (Figure 8), $V_{CC} = 3.6 \text{ V}$ , $f_{CLK} = 75 \text{ MHz}$			65 mA
		$\overline{\text{SHTDN}} = V_{IH}$ , $R_L = 100 \Omega$ (5 places), worst-case pattern (Figure 8), $f_{CLK} = 100 \text{ MHz}$			79.3 mA
$C_I$	Input capacitance				2 pF
					96.8 mA

(1) All typical values are at  $V_{CC} = 3.3 \text{ V}$ ,  $T_A = 25^\circ\text{C}$ .

## 7.6 Dissipation Ratings

PACKAGE	CIRCUIT BOARD MODEL <sup>(1)</sup>	$T_{JA} \leq 25^\circ\text{C}$	DERATING FACTOR <sup>(2)</sup> ABOVE $T_{JA} = 25^\circ\text{C}$	$T_{JA} = 70^\circ\text{C}$ POWER RATING
DGG	Low-K	1111 mW	12.3 mW/ $^\circ\text{C}$	555 mW
	High-K	1730 mW	19 mW/ $^\circ\text{C}$	865 mW

(1) In accordance with the High-K and Low-K thermal metric definitions of EIA/JESD51-2.

(2) This is the inverse of the junction-to-ambient thermal resistance when board-mounted and with no air flow.

## 7.7 Timing Requirements

		MIN	MAX	UNIT
$t_c$	Input clock period	10	100	ns
	Input clock modulation (SSC)	with modulation frequency 30 kHz	8%	
		with modulation frequency 50 kHz	6%	
$t_w$	High-level input clock pulse width duration	$0.4 \times t_c$	$0.6 \times t_c$	ns
$t_t$	Input signal transition time		3	ns
	Data set up time, D0 through D27 before CLKIN (see Figure 5)	2		ns
	Data hold time, D0 through D27 after CLKIN	0.8		ns

## 7.8 Switching Characteristics

over operating free-air temperature range (unless otherwise noted)

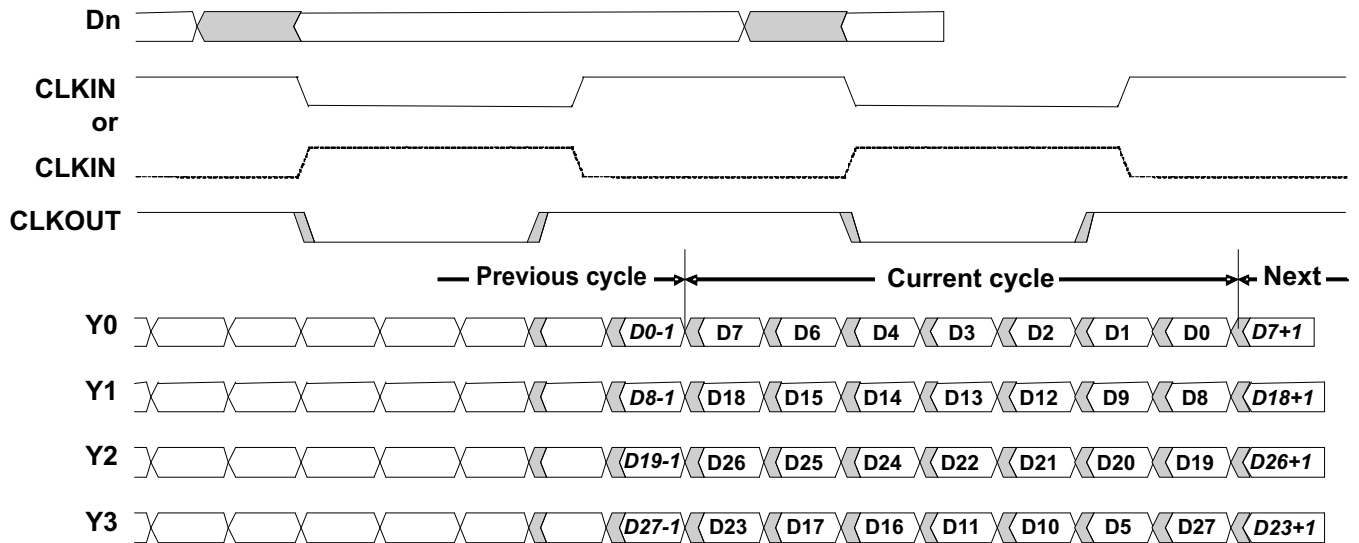
PARAMETER	TEST CONDITIONS	MIN	TYP <sup>(1)</sup>	MAX	UNIT	
$t_0$	Delay time, CLKOUT $\uparrow$ after Yn valid (serial bit position 0, equal D1, D9, D20, D5)	$t_c = 10$ ns,  Input clock jitter  < 25 ps (see Figure 9) <sup>(2)</sup>	-0.1	0	0.1	ns
$t_1$	Delay time, CLKOUT $\uparrow$ after Yn valid (serial bit position 1, equal D0, D8, D19, D27)	$t_c = 10$ ns,  Input clock jitter  < 25 ps (see Figure 9) <sup>(2)</sup>	$1/7 t_c - 0.1$		$1/7 t_c + 0.1$	ns
$t_2$	Delay time, CLKOUT $\uparrow$ after Yn valid (serial bit position 2, equal D7, D18, D26, D23)	$t_c = 10$ ns,  Input clock jitter  < 25 ps (see Figure 9) <sup>(2)</sup>	$2/7 t_c - 0.1$		$2/7 t_c + 0.1$	ns
$t_3$	Delay time, CLKOUT $\uparrow$ after Yn valid (serial bit position 3, equal D6, D15, D25, D17)	$t_c = 10$ ns,  Input clock jitter  < 25 ps (see Figure 9) <sup>(2)</sup>	$3/7 t_c - 0.1$		$3/7 t_c + 0.1$	ns
$t_4$	Delay time, CLKOUT $\uparrow$ after Yn valid (serial bit position 4, equal D4, D14, D24, D16)	$t_c = 10$ ns,  Input clock jitter  < 25 ps (see Figure 9) <sup>(2)</sup>	$4/7 t_c - 0.1$		$4/7 t_c + 0.1$	ns
$t_5$	Delay time, CLKOUT $\uparrow$ after Yn valid (serial bit position 5, equal D3, D13, D22, D11)	$t_c = 10$ ns,  Input clock jitter  < 25 ps (see Figure 9) <sup>(2)</sup>	$5/7 t_c - 0.1$		$5/7 t_c + 0.1$	ns
$t_6$	Delay time, CLKOUT $\uparrow$ after Yn valid (serial bit position 6, equal D2, D12, D21, D10)	$t_c = 10$ ns,  Input clock jitter  < 25 ps (see Figure 9) <sup>(2)</sup>	$6/7 t_c - 0.1$		$6/7 t_c + 0.1$	ns
$t_{sk(o)}$	Output skew, $t_n - 1/7 t_c$	Target potential adjustment after characteristic	-0.1 (-0.15)		0.1 (0.15)	ns
$t_{c(o)}$	Output clock period			$t_c$	ns	
$\Delta t_{c(o)}$	Output clock cycle-to-cycle jitter <sup>(3)</sup>	$t_c = 10$ ns, clean reference clock (see Figure 10)		$\pm 40$	ps	
		$t_c = 10$ ns with 0.05 UI added noise modulated at 3 MHz (see Figure 10)		$\pm 44$		
		$t_c = 10$ ns with 0.1 UI added noise modulated at 3 MHz (see Figure 10)		$\pm 42$		
$t_w$	High-level output clock pulse duration			$4/7 t_c$	ns	
$t_{r/f}$	Differential output voltage transition time ( $t_r$ or $t_f$ )	fCLK (see Figure 6)	225	500	ps	
$t_{en}$	Enable time, $\overline{\text{SHTDN}}\uparrow$ to phase lock (Yn valid)	fCLK = 100 MHz (see Figure 11)		6	ms	
$t_{dis}$	Disable time, $\overline{\text{SHTDN}}\downarrow$ to off-state (CLKOUT high-impedance)	fCLK = 100 MHz (see Figure 12)		7	ns	

 (1) All typical values are at  $V_{CC} = 3.3$  V,  $T_A = 25^\circ\text{C}$ .

(2) |Input clock jitter| is the magnitude of the change in the input clock period.

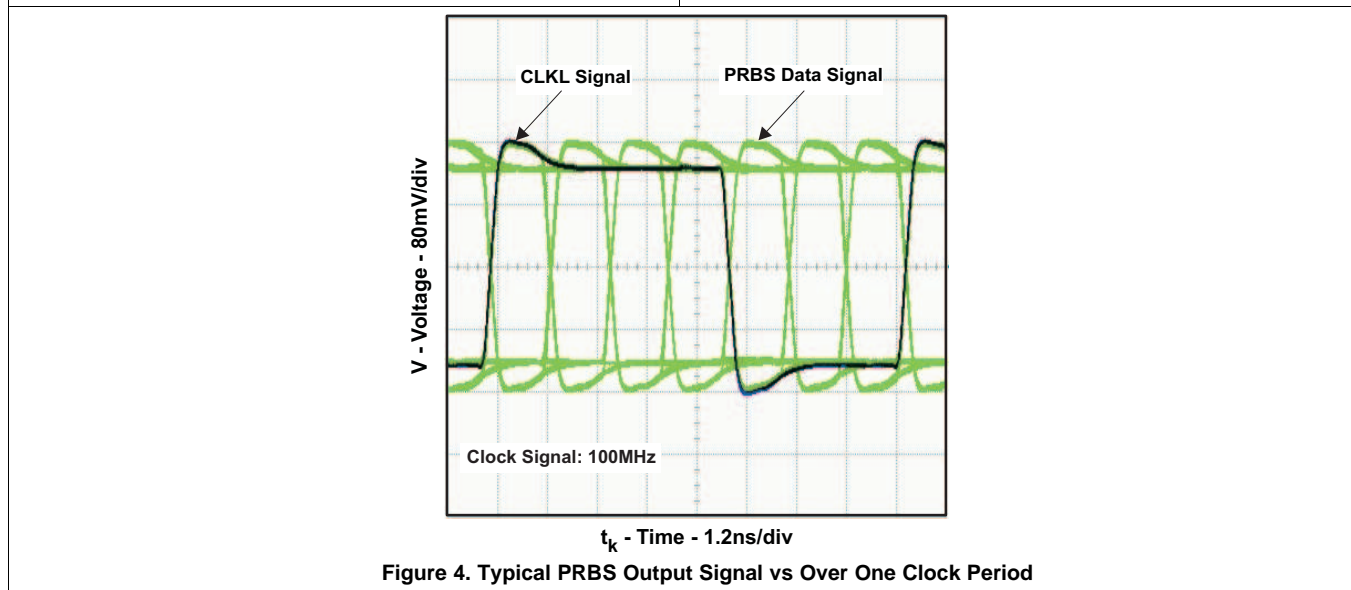
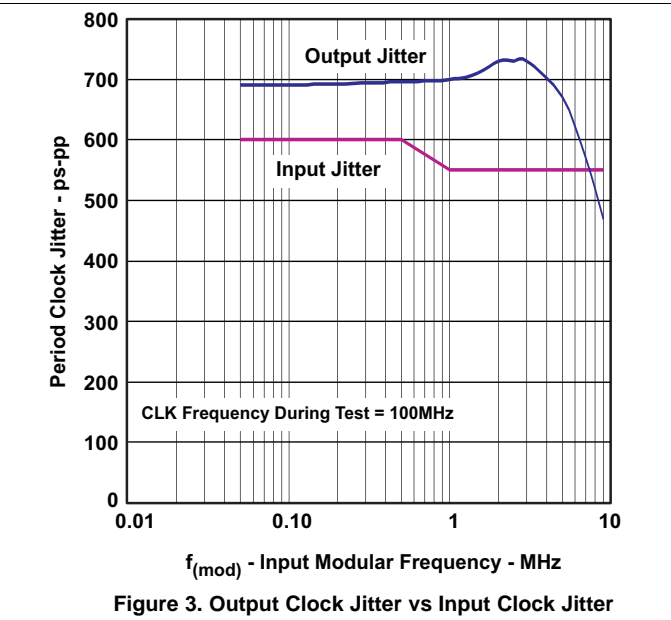
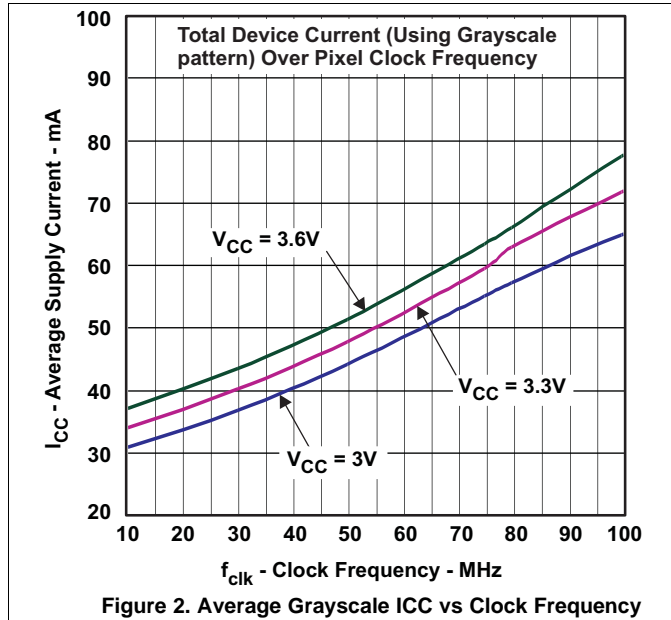
(3) The output clock cycle-to-cycle jitter is the largest recorded change in the output clock period from one cycle to the next cycle observed over 15,000 cycles. Tektronix TDSJIT3 Jitter Analysis software was used to derive the maximum and minimum jitter value.



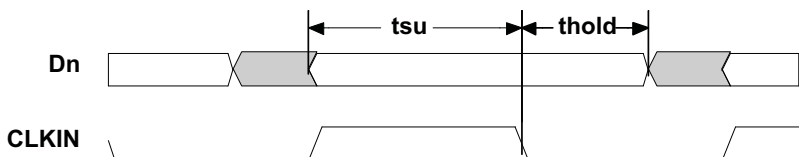


**Figure 1. Typical SN75LVDS83A Load and Shift Sequences**

## 7.9 Typical Characteristics



### 8 Parameter Measurement Information



All input timing is defined at IOVDD / 2 on an input signal with a 10% to 90% rise or fall time of less than 3 ns. CLKSEL = 0 V.

Figure 5. Set Up and Hold Time Definition

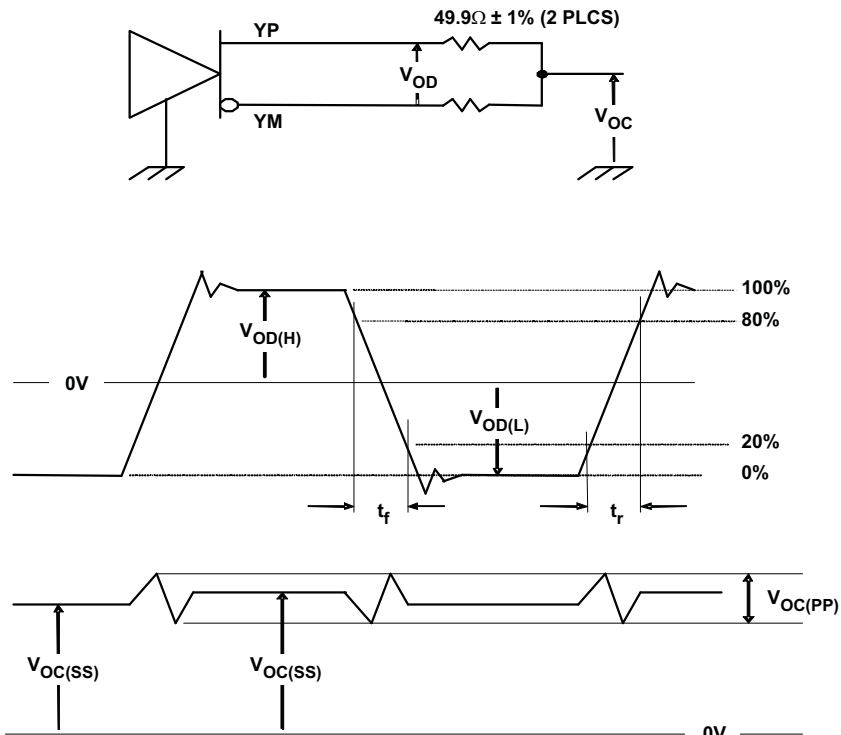
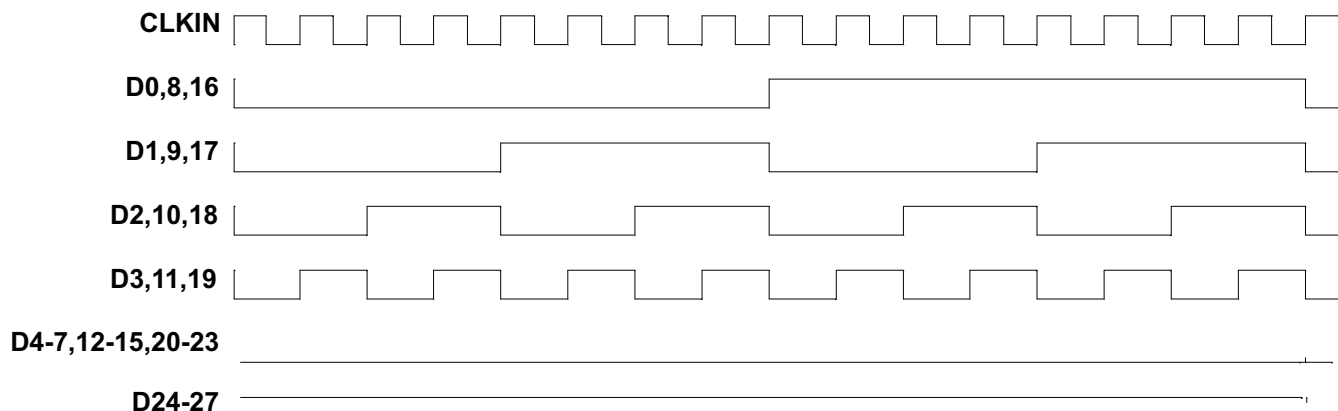
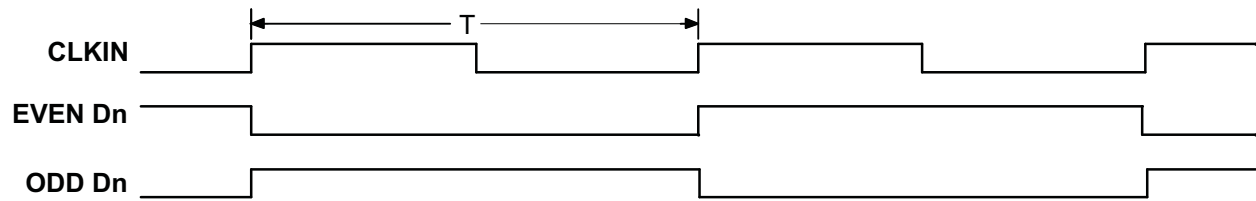


Figure 6. Test Load and Voltage Definitions for LVDS Outputs

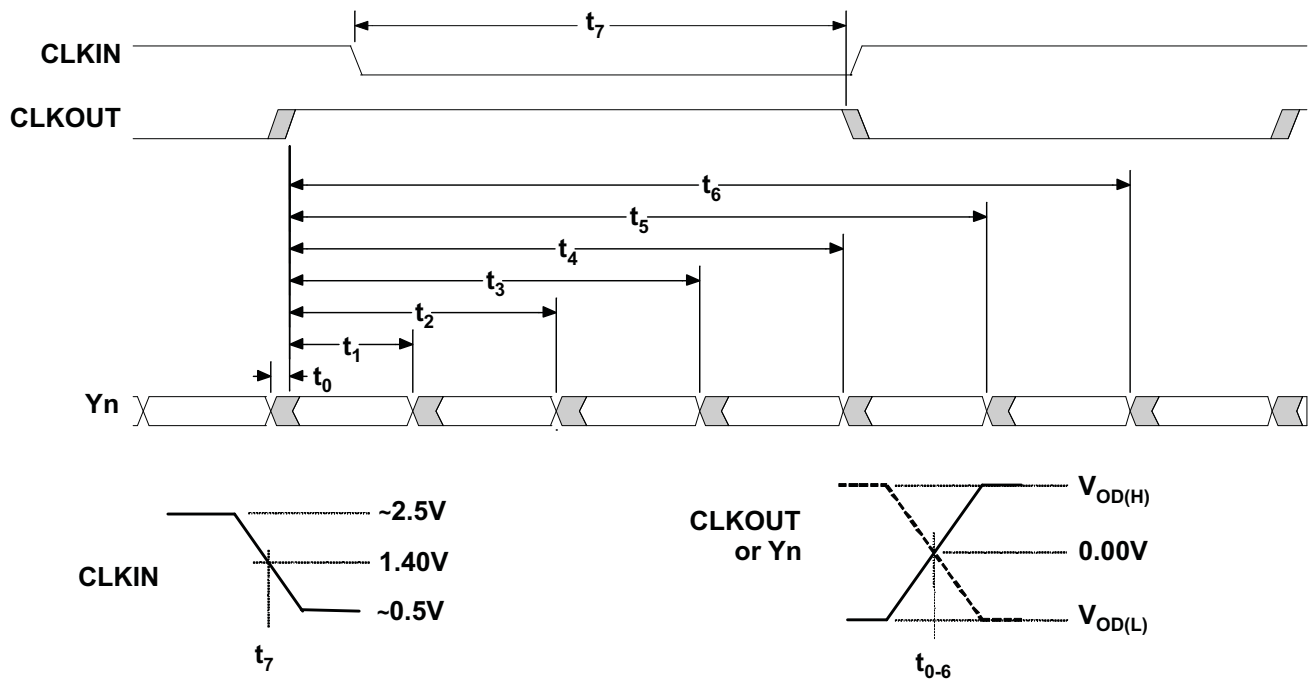


The 16 grayscale test pattern test device power consumption for a typical display pattern.

Figure 7. 16 Grayscale Test Pattern

**Parameter Measurement Information (continued)**


The worst-case test pattern produces nearly the maximum switching frequency for all of the LVDS outputs.

**Figure 8. Worst-Case Power Test Pattern**


CLKOUT is shown with CLKSEL at high-level.  
CLKIN polarity depends on CLKSEL input level.

**Figure 9. SN75LVDS83A Timing Definitions**

Parameter Measurement Information (continued)

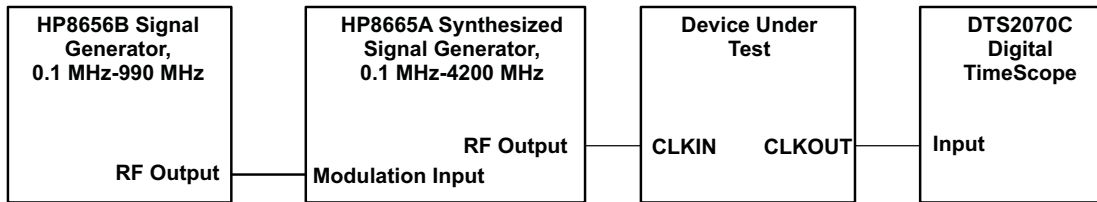
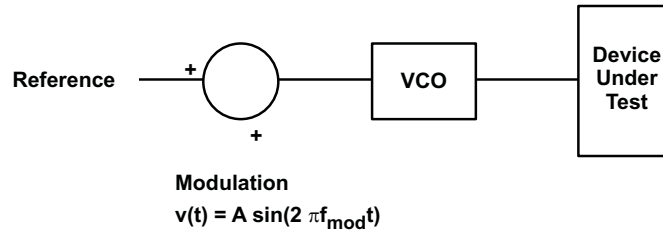


Figure 10. Output Clock Jitter Test Set Up

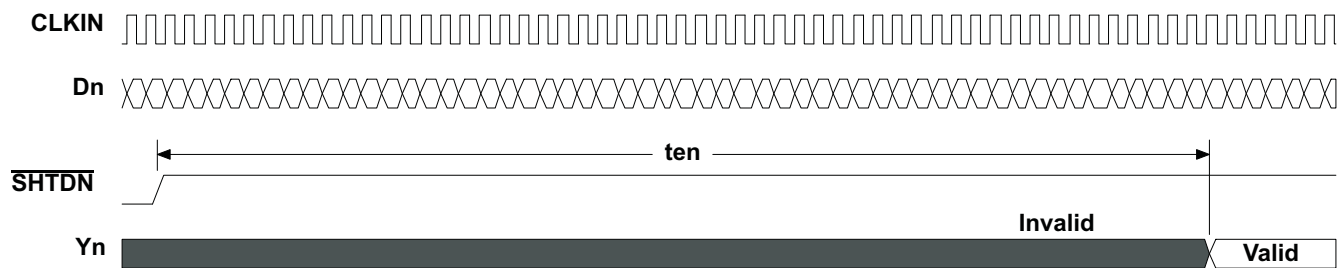


Figure 11. Enable Time Waveforms

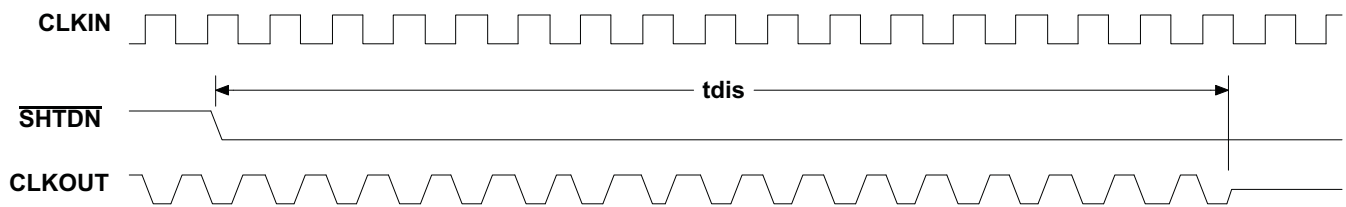


Figure 12. Disable Time Waveforms

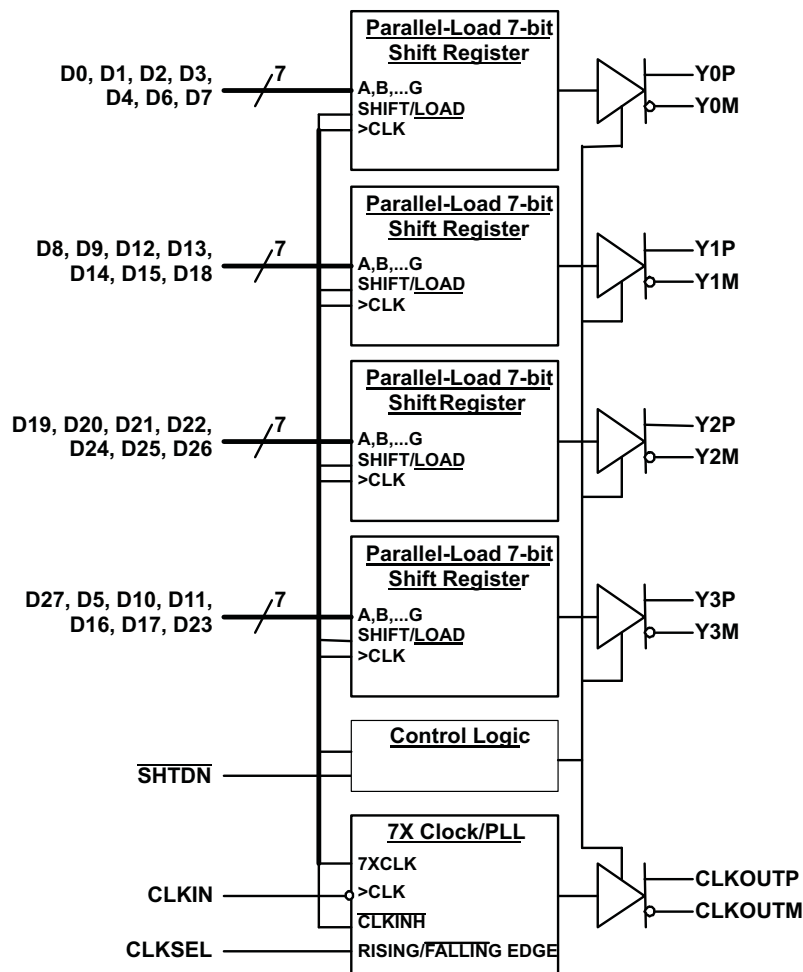
## 9 Detailed Description

### 9.1 Overview

The Flatlink™ is a LVDS SerDes data transmission system. The SN75LVDS83A device takes in three (or four) data words each containing seven single-ended data bits and converts this to an LVDS serial output. Each serial output runs at seven times that of the parallel data rate. The deserializer (receiver) device operates in the reverse manner. The three (or four) LVDS serial inputs are transformed back to the original seven-bit parallel single-ended data. Flatlink™ devices are available in 21:3 or 28:4 SerDes ratios.

The 21-bit devices are designed for 6-bit RGB video for a total of 18 bits in addition to three extra bits for horizontal synchronization, vertical synchronization, and data enable. The 28-bit devices are intended for 8-bit RGB video applications. Again, the extra four bits are for horizontal synchronization, vertical synchronization, data enable, and the remaining is the reserved bit. These 28-bit devices can also be used in 6-bit and 4-bit RGB applications as shown in the subsequent system diagrams.

### 9.2 Functional Block Diagram



## 9.3 Feature Description

### 9.3.1 TTL Input Data

The data inputs to the transmitter come from the graphics processor and consist of up to 24 bits of video information, a horizontal synchronization bit, a vertical synchronization bit, an enable bit, and a spare bit.

The data can be loaded into the registers upon either the rising or falling edge of the input clock selectable by the CLKSEL pin. Data inputs are 1.8 V to 3.3 V tolerant for the SN75LVDS83A and can connect directly to low-power, low-voltage application and graphic processors. The bit mapping is listed in [Table 1](#).

**Table 1. Pixel Bit Ordering**

	RED	GREEN	BLUE
LSB	R0	G0	B0
	R1	G1	B1
	R2	G2	B2
4-bit MSB	R3	G3	B3
	R4	G4	B4
6-bit MSB	R5	G5	B5
	R6	G6	B6
8-bit MSB	R7	G7	B7

### 9.3.2 LVDS Output Data

The pixel data assignment is listed in [Table 2](#) for 24-bit, 18-bit, and 12-bit color hosts.

**Table 2. Pixel Data Assignment**

SERIAL CHANNEL	DATA BITS	8-BIT			6-BIT	4-BIT	
		FORMAT-1 <sup>(1)</sup>	FORMAT-2 <sup>(2)</sup>	FORMAT-3 <sup>(3)</sup>		NON-LINEAR STEP SIZE <sup>(4)</sup>	LINEAR STEP SIZE <sup>(5)</sup>
Y0	D0	R0	R2	R2	R0	R2	VCC
	D1	R1	R3	R3	R1	R3	GND
	D2	R2	R4	R4	R2	R0	R0
	D3	R3	R5	R5	R3	R1	R1
	D4	R4	R6	R6	R4	R2	R2
	D6	R5	R7	R7	R5	R3	R3
	D7	G0	G2	G2	G0	G2	VCC
Y1	D8	G1	G3	G3	G1	G3	GND
	D9	G2	G4	G4	G2	G0	G0
	D12	G3	G5	G5	G3	G1	G1
	D13	G4	G6	G6	G4	G2	G2
	D14	G5	G7	G7	G5	G3	G3
	D15	B0	B2	B2	B0	B2	VCC
	D18	B1	B3	B3	B1	B3	GND

(1) 2 MSBs of each color transmitted over 4th serial data channel (Y3). Dominant data format for LCD panel.

(2) 2 LSBs of each color transmitted over 4th serial data channel. System designer needs to verify the data format by checking with the LCD display data sheet.

(3) 24-bit color host to 18-bit color LCD panel display application.

(4) Increased dynamic range of the entire color space at the expense of non-linear step sizes between each step.

(5) Linear step size with less dynamic range.

**Table 2. Pixel Data Assignment (continued)**

SERIAL CHANNEL	DATA BITS	8-BIT			6-BIT	4-BIT	
		FORMAT-1 <sup>(1)</sup>	FORMAT-2 <sup>(2)</sup>	FORMAT-3 <sup>(3)</sup>		NON-LINEAR STEP SIZE <sup>(4)</sup>	LINEAR STEP SIZE <sup>(5)</sup>
Y2	D19	B2	B4	B4	B2	B0	B0
	D20	B3	B5	B5	B3	B1	B1
	D21	B4	B6	B6	B4	B2	B2
	D22	B5	B7	B7	B5	B3	B3
	D24	HSYNC	HSYNC	HSYNC	HSYNC	HSYNC	HSYNC
	D25	VSYNC	VSYNC	VSYNC	VSYNC	VSYNC	VSYNC
	D26	ENABLE	ENABLE	ENABLE	ENABLE	ENABLE	ENABLE
Y3	D27	R6	R0	GND	GND	GND	GND
	D5	R7	R1	GND	GND	GND	GND
	D10	G6	G0	GND	GND	GND	GND
	D11	G7	G1	GND	GND	GND	GND
	D16	B6	B0	GND	GND	GND	GND
	D17	B7	B1	GND	GND	GND	GND
	D23	RSVD	RSVD	GND	GND	GND	GND
CLKOUT	CLKIN	CLK	CLK	CLK	CLK	CLK	

## 9.4 Device Functional Modes

### 9.4.1 Input Clock Edge

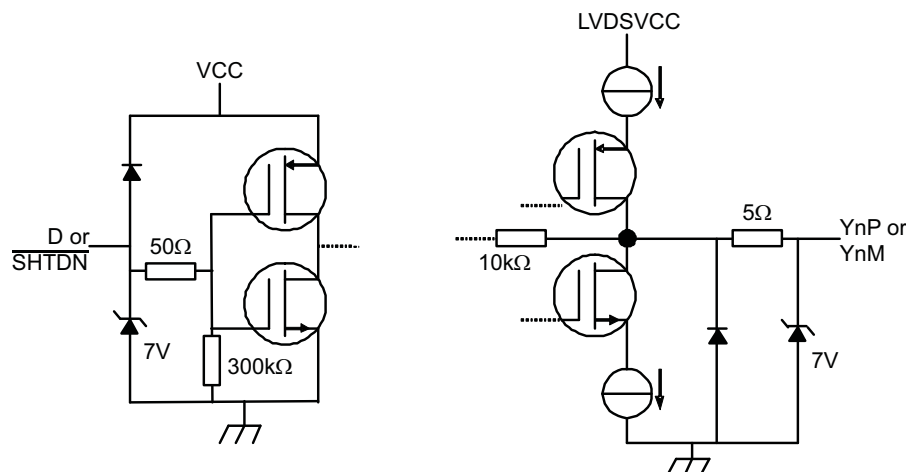
The transmission of data bits D0 through D27 occurs as each are loaded into registers upon the edge of the CLKIN signal, where the rising or falling edge of the clock may be selected through CLKSEL. The selection of a clock rising edge occurs by inputting a high level to CLKSEL, which is achieved by populating pullup resistor to pull CLKSEL is high. Inputting a low level to select a clock falling edge is achieved by directly connecting CLKSEL to GND.

### 9.4.2 Low Power Mode

The SN75LVDS83A can be put in low-power consumption mode by active-low input SHTDN#.

Connecting terminal SHTDN to GND inhibits the clock and shut off the LVDS output drivers for lower power consumption. A low level on this signal clears all internal registers to a low level.

Populate a pullup to VCC on SHTDN# to enable the device for normal operation.


**Figure 13. Equivalent Input and Output Schematic Diagrams**



## 10 Application and Implementation

---

### NOTE

Information in the following applications sections is not part of the TI component specification, and TI does not warrant its accuracy or completeness. TI's customers are responsible for determining suitability of components for their purposes. Customers should validate and test their design implementation to confirm system functionality.

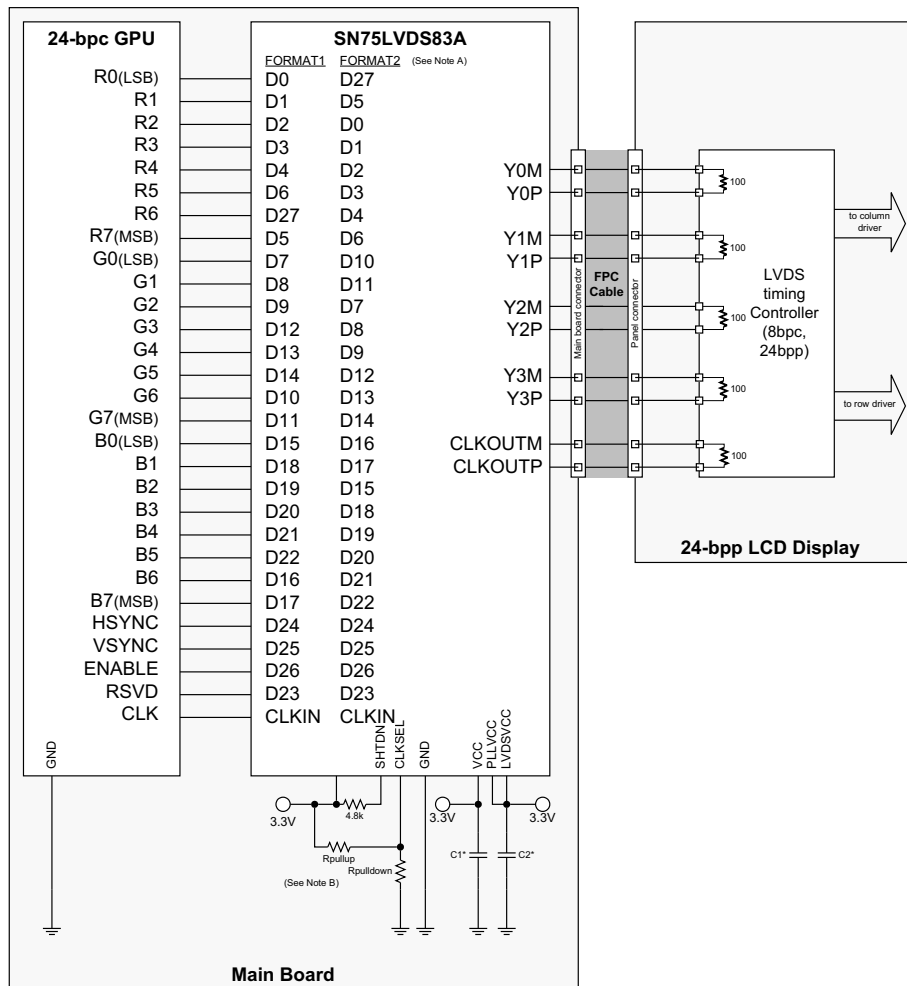
---

### 10.1 Application Information

This section provides information on device connectivity to various GPU and LCD display panels, and offers a PCB routing example.

#### 10.1.1 Signal Connectivity

While there is no formal industry standardized specification for the input interface of LVDS LCD panels, the industry has aligned over the years on a certain data format (bit order). [Figure 14](#) through [Figure 17](#) show how each signal must be connected from the graphic source through the SN75LVDS83A input, output, and LVDS LCD panel input. Detailed notes are provided with each figure.

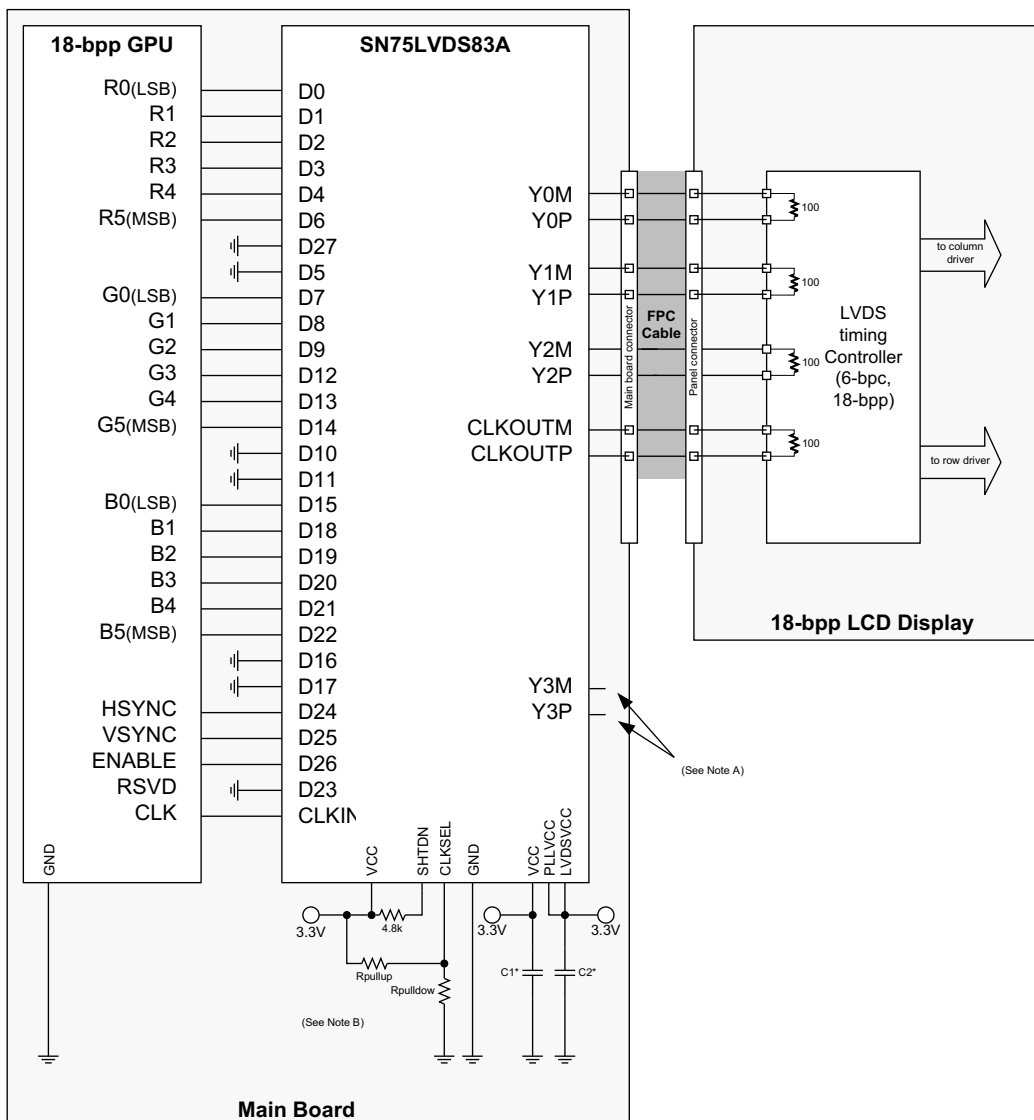
**Application Information (continued)**


Copyright © 2016, Texas Instruments Incorporated

- A. **FORMAT:** The majority of 24-bit LCD display panels require the two most significant bits (2 MSB) of each color to be transferred over the 4th serial data output Y3. A few 24-bit LCD display panels require the two LSBs of each color to be transmitted over the Y3 output. The system designer needs to verify which format is expected by checking the LCD display data sheet. **Format 1:** Use with displays expecting the 2 MSB to be transmitted over the 4th data channel Y3. This is the dominate data format for LCD panels. **Format 2:** Use with displays expecting the 2 LSB to be transmitted over the 4th data channel.
- B. **Rpullup:** Install only to use rising edge triggered clocking. **Rpulldown:** Install only to use falling edge triggered clocking. **C1:** Decoupling capacitor for the VDDIO supply; install at least 1, 0.01- $\mu$ F capacitor. **C2:** Decoupling capacitor for the VDD supply; install at least 1, 0.1- $\mu$ F capacitor and 1, 0.01- $\mu$ F capacitor. **C3:** Decoupling capacitor for the VDDPLL and VDDLVDs supply; install at least 1, 0.1- $\mu$ F capacitor and 1, 0.01- $\mu$ F capacitor.
- C. If RSVD is not driven to a valid logic level, then an external connection to GND is recommended.
- D. RSVD must be driven to a valid logic level. All unused SN75LVDS83A inputs must be tied to a valid logic level.

**Figure 14. 24-Bit Color Host to 24-Bit LCD Panel Application**

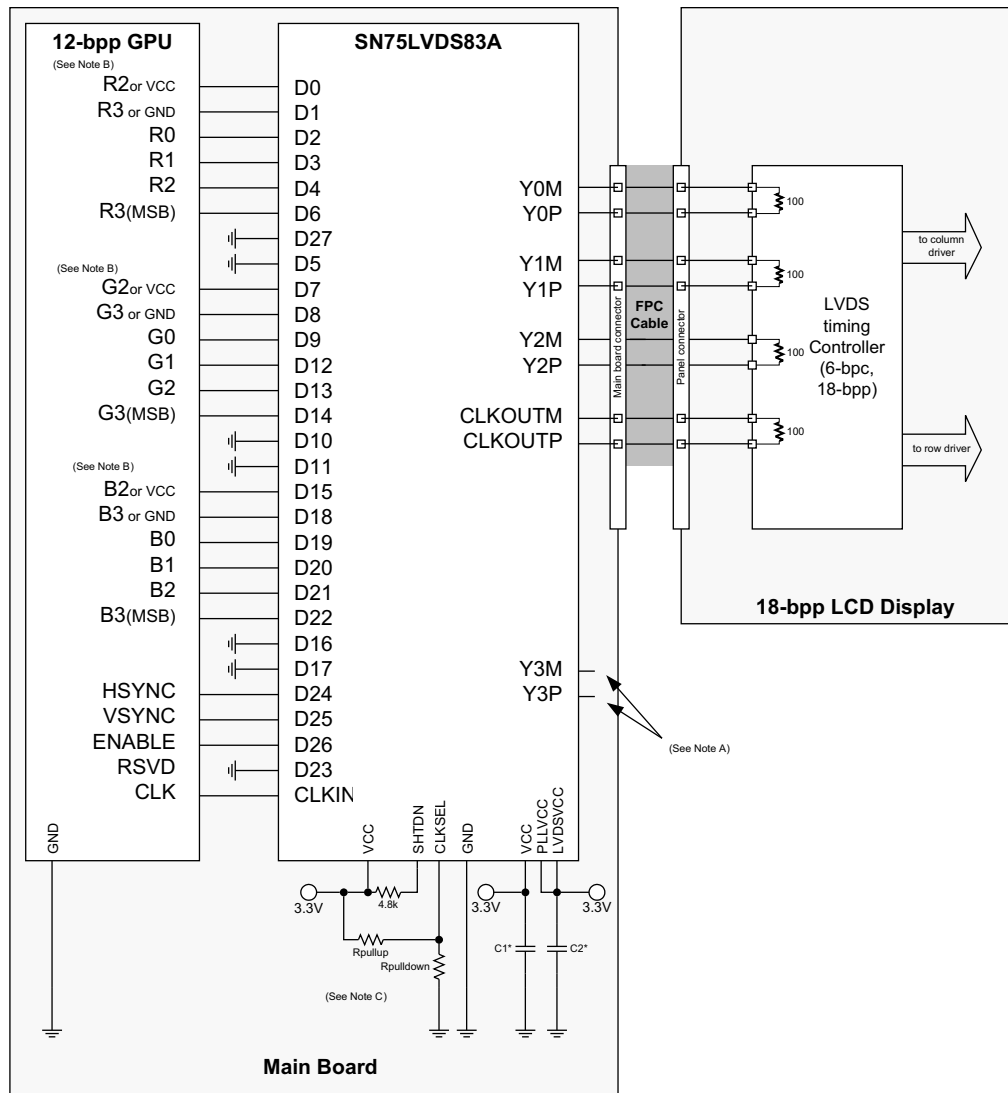
Application Information (continued)



Copyright © 2016, Texas Instruments Incorporated

- A. Leave output Y3 NC.
- B. **Rpullup**: Install only to use rising edge triggered clocking. **Rpulldown**: Install only to use falling edge triggered clocking. **C1**: Decoupling capacitor for the VDDIO supply; install at least 1, 0.01- $\mu$ F capacitor. **C2**: Decoupling capacitor for the VDD supply; install at least 1, 0.1- $\mu$ F capacitor and 1, 0.01- $\mu$ F capacitor. **C3**: Decoupling capacitor for the VDDPLL and VDDLVDs supply; install at least 1, 0.1- $\mu$ F capacitor and 1, 0.01- $\mu$ F capacitor.

Figure 15. 18-Bit Color Host to 18-Bit Color LCD Panel Display Application

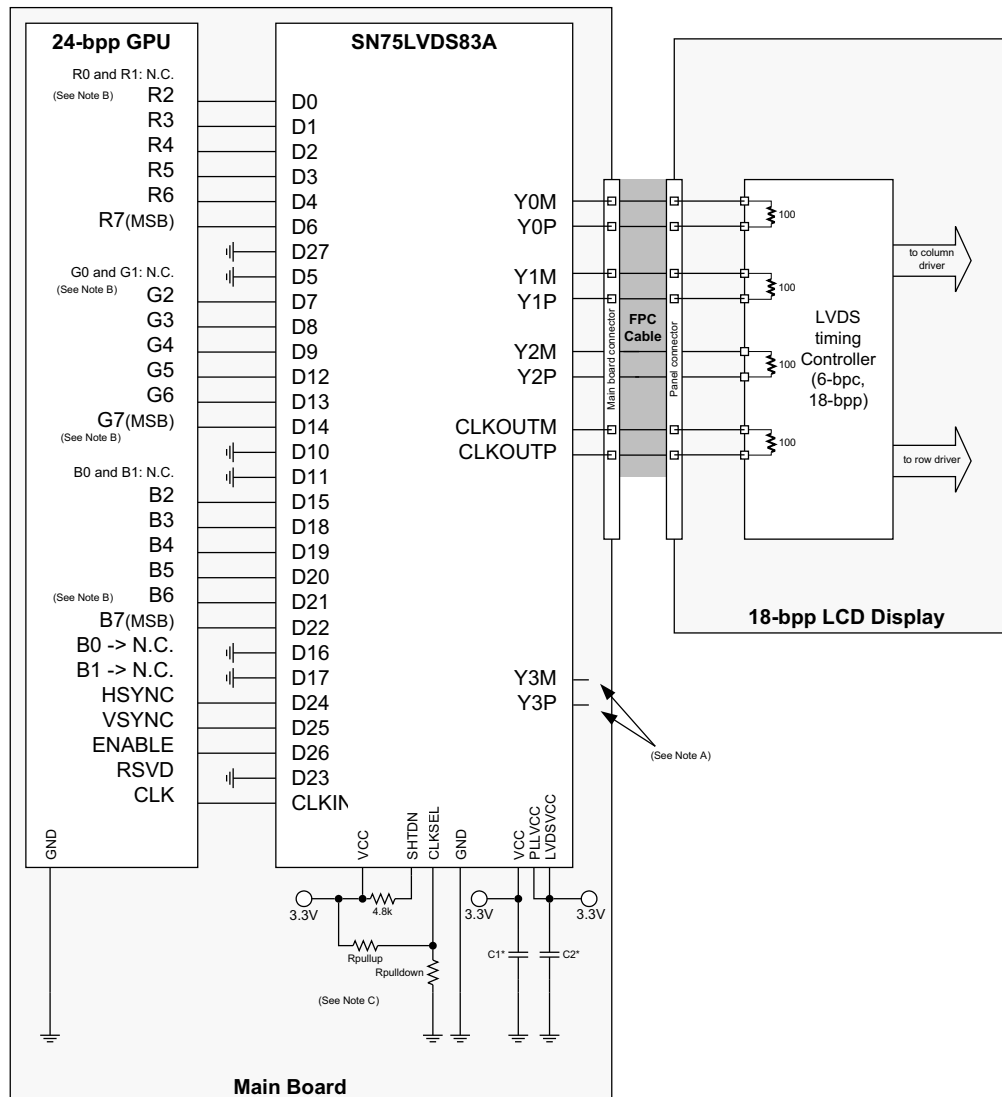
**Application Information (continued)**


Copyright © 2016, Texas Instruments Incorporated

- A. Leave output Y3 NC.
- B. **R3, G3, B3:** This MSB of each color also connects to the 5th bit of each color for increased dynamic range of the entire color space at the expense of non-linear step sizes between each step. For linear steps with less dynamic range, connect D1, D8, and D18 to GND. **R2, G2, B2:** These outputs also connect to the LSB of each color for increased. Dynamic range of the entire color space at the expense of non-linear step sizes between each step. For linear steps with less dynamic range, connect D0, D7, and D15 to VCC.
- C. **Rpullup:** Install only to use rising edge triggered clocking. **Rpulldown:** Install only to use falling edge triggered clocking. **C1:** Decoupling capacitor for the VDDIO supply; install at least 1, 0.01- $\mu$ F capacitor. **C2:** Decoupling capacitor for the VDD supply; install at least 1, 0.1- $\mu$ F capacitor and 1, 0.01- $\mu$ F capacitor. **C3:** Decoupling capacitor for the VDDPLL and VDDLVDs supply; install at least 1, 0.1- $\mu$ F capacitor and 1, 0.01- $\mu$ F capacitor.

**Figure 16. 12-Bit Color Host to 18-Bit Color LCD Panel Display Application**

Application Information (continued)



Copyright © 2016, Texas Instruments Incorporated

- A. Leave output Y3 NC.
- B. R0, R1, G0, G1, B0, and B1: For improved image quality, the GPU must dither the 24-bit output pixel down to 18-bit per pixel.
- C. **Rpullup**: Install only to use rising edge triggered clocking. **Rpulldown**: Install only to use falling edge triggered clocking. **C1\***: Decoupling capacitor for the VDDIO supply; install at least 1, 0.01- $\mu$ F capacitor. **C2\***: Decoupling capacitor for the VDD supply; install at least 1, 0.1- $\mu$ F capacitor and 1, 0.01- $\mu$ F capacitor. **C3\***: Decoupling capacitor for the VDDPLL and VDDLVDs supply; install at least 1, 0.1- $\mu$ F capacitor and 1, 0.01- $\mu$ F capacitor.

Figure 17. 24-Bit Color Host to 18-Bit Color LCD Panel Display Application

Application Information (continued)

10.1.2 PCB Routing

Figure 18 and Figure 19 show a possible breakout of the data input and output signals from the BGA package.

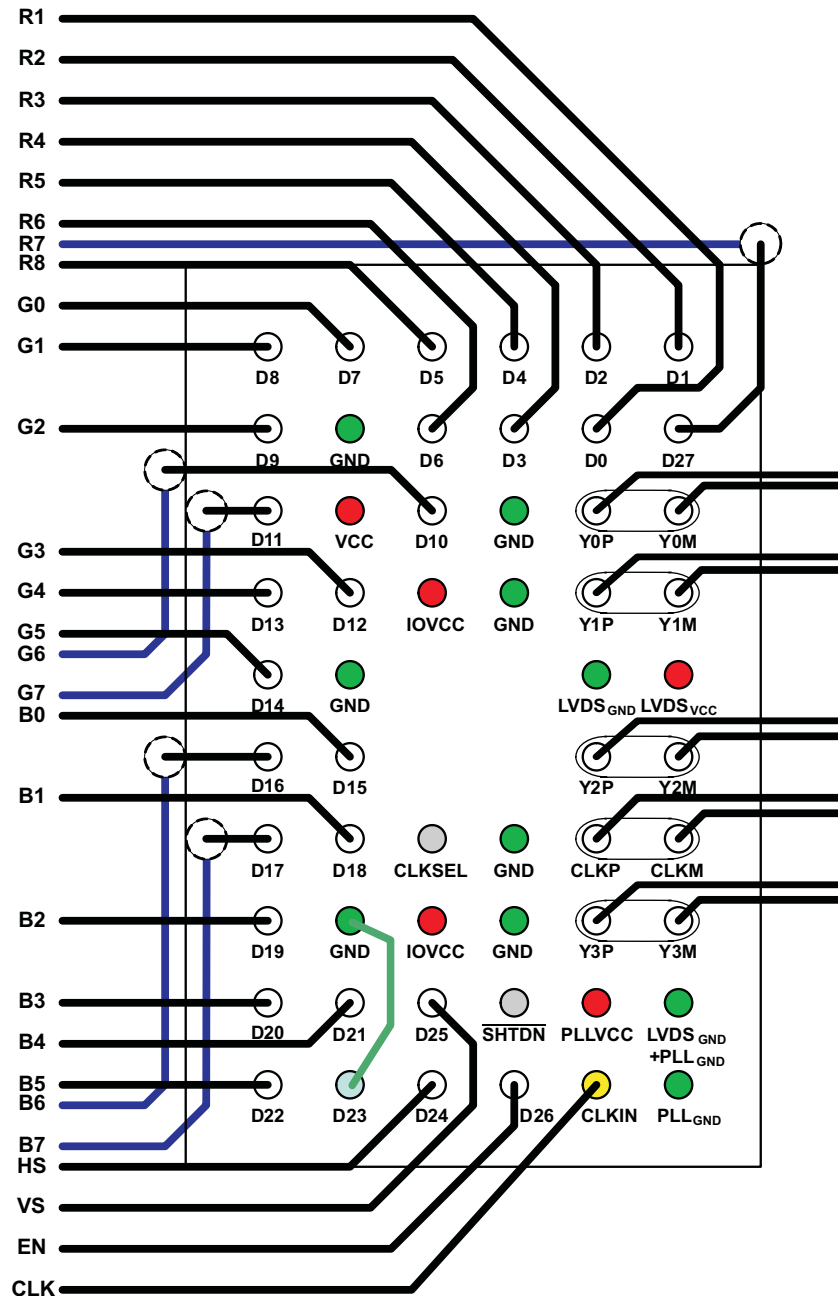


Figure 18. 24-Bit Color Routing (See Figure 14 for Schematic)

Application Information (continued)

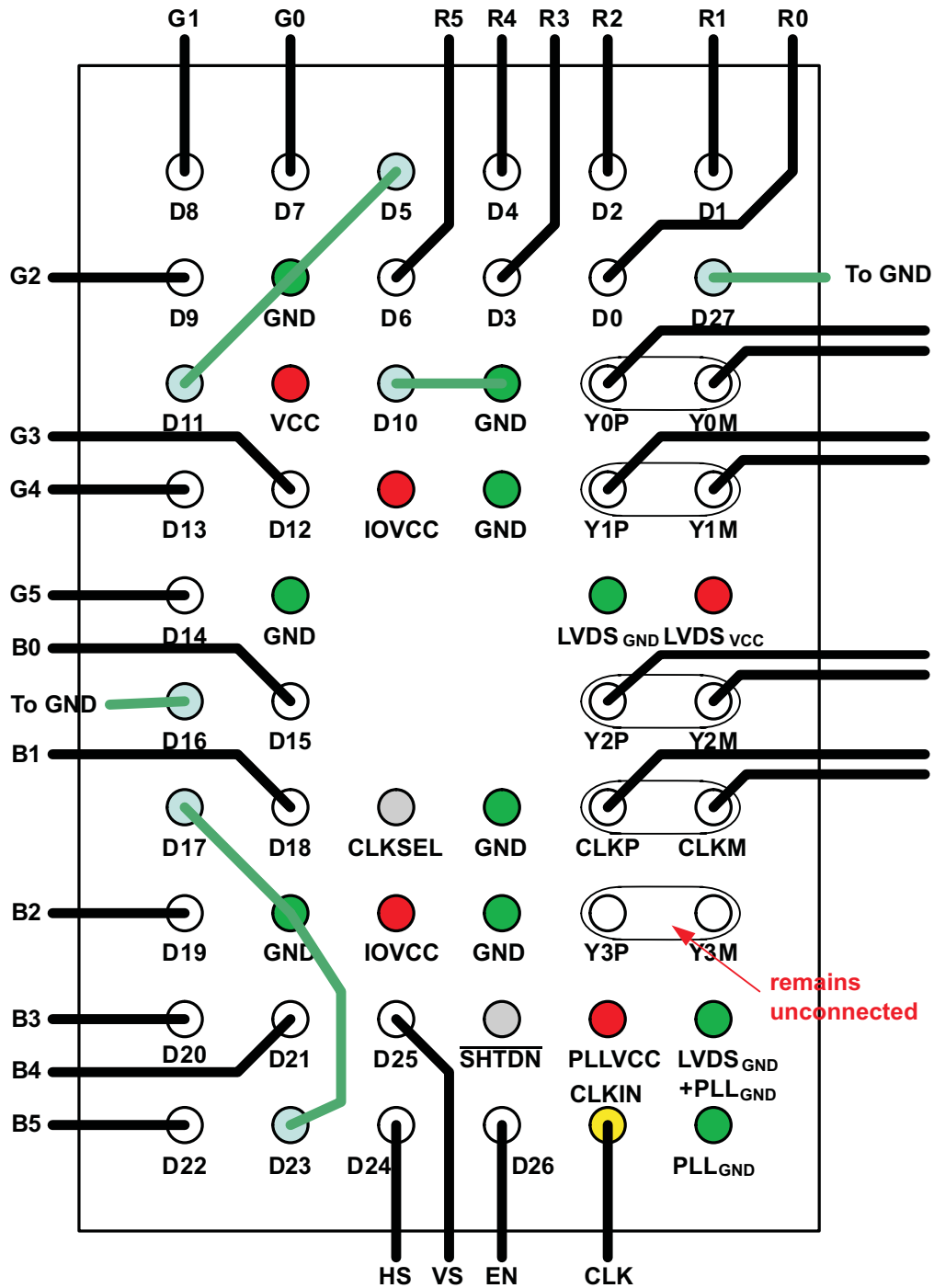


Figure 19. 18-Bit Color Routing (See Figure 15, Figure 16, and Figure 17 for Schematic)

10.2 Typical Application

Figure 20 represents the schematic drawing of the SN75LVDS83A evaluation module.

# SN75LVDS83A

SLLS980E – JUNE 2009 – REVISED NOVEMBER 2016

www.ti.com

## Typical Application (continued)

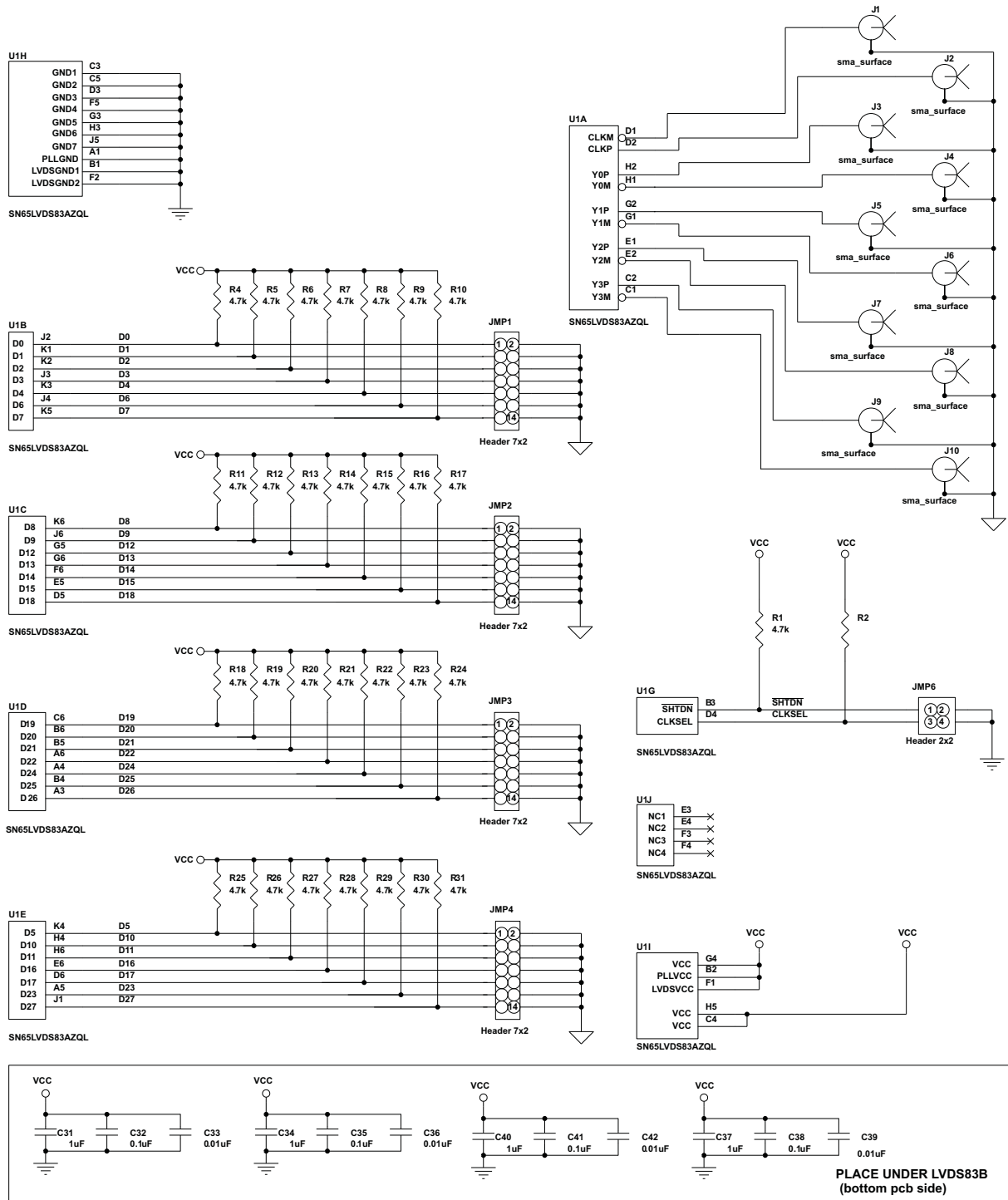


Figure 20. Schematic Example (SN75LVDS83A Evaluation Board)



## Typical Application (continued)

### 10.2.1 Design Requirements

Table 3 lists the parameters for this schematic example.

**Table 3. Design Parameters**

PARAMETER	VALUE
VCC	3.3 V
CLKIN	Falling edge
SHTDN	High
Format	18-bit GPU to 24-bit LCD

### 10.2.2 Detailed Design Procedure

#### 10.2.2.1 Power Up Sequence

The SN75LVDS83A does not require a specific power up sequence. It is permitted to power up IOVCC while VCC, VCCPLL, and VCCLVDS remain powered down and connected to GND. The input level of the SHTDN during this time does not matter as only the input stage is powered up while all other device blocks are still powered down.

It is also permitted to power up all 3.3-V power domains while IOVCC is still powered down to GND. The device does not suffer damage. However, in this case, all the I/Os are detected as logic HIGH, regardless of their true input voltage level. Therefore, connecting SHTDN to GND is still interpreted as a logic HIGH, and the LVDS output stage are turned on. The power consumption in this condition is significantly higher than standby mode, but still lower than normal mode.

The user experience is impacted by the way a system powers up and powers down an LCD screen. The following sequence is recommended:

Power up sequence (SN75LVDS83A SHTDN input initially low):

1. Ramp-up LCD power (0.5 ms to 10 ms for example) but keep backlight turned off
2. Wait an additional 0 to 200 ms to ensure display noise won't occur
3. Enable video source output and start sending black video data
4. Toggle LVDS83A shutdown to SHTDN = VIH
5. Send >1 ms of black video data (this allows the LVDS83A to be phase locked and the display to show black data first)
6. Start sending true image data
7. Enable backlight

Power down sequence (SN75LVDS83A SHTDN input initially high):

1. Disable LCD backlight and wait for the minimum time specified in the LCD data sheet for the backlight to go low
2. Video source output data switch from active video data to black image data (all visible pixel turn black); drive this for >2 frame times
3. Set SN75LVDS83A input SHTDN = GND and wait for 250 ns
4. Disable the video output of the video source
5. Remove power from the LCD panel for lowest system power

10.2.3 Application Curve

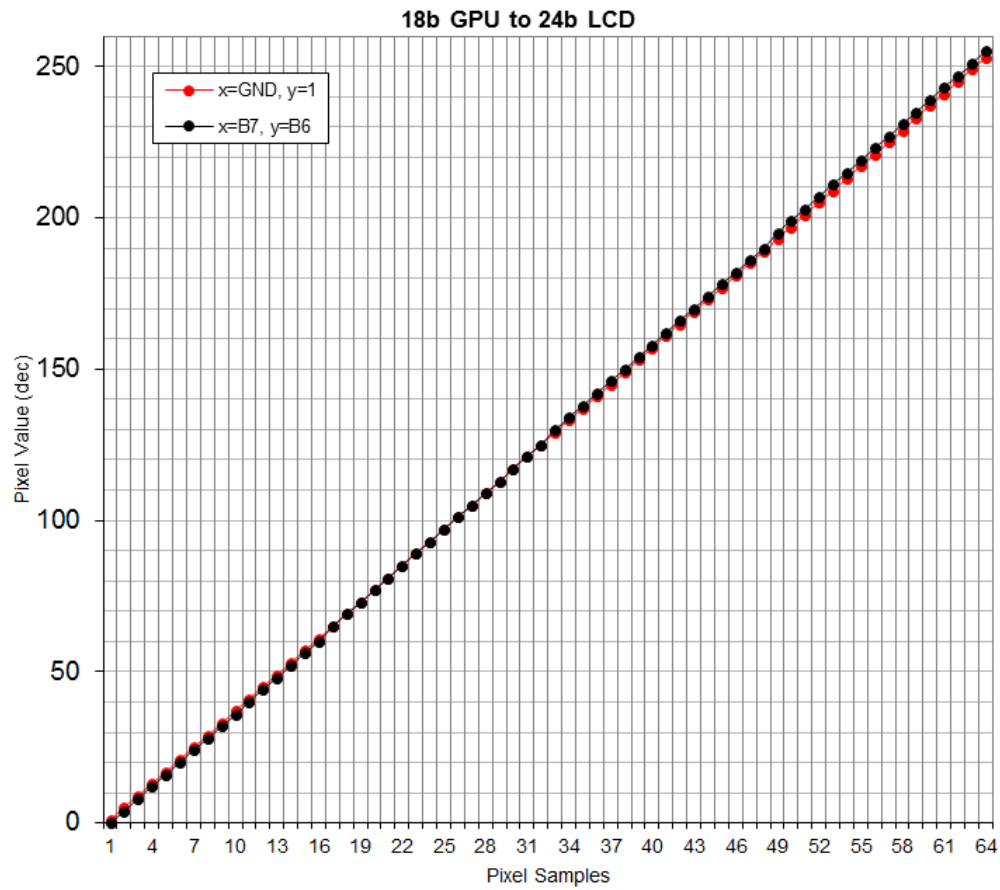


Figure 21. 18b GPU to 24b LCD

## 11 Power Supply Recommendations

Power supply PLL, IO, and LVDS terminals must be uncoupled from each.

## 12 Layout

### 12.1 Layout Guidelines

#### 12.1.1 Board Stackup

There is no fundamental information about how many layers should be used and how the board stackup should look. Again, the easiest way to get good results is to use the design from the EVMs of Texas Instruments. The magazine *Elektronik Praxis* [11] has published an article with an analysis of different board stackups. These are listed in [Table 4](#).

**Table 4. Board Stackup on a Four-Layer PCB**

	MODEL 1	MODEL 2	MODEL 3	MODEL 4
Layer 1	SIG	SIG	SIG	GND
Layer 2	SIG	GND	GND	SIG
Layer 3	VCC	VCC	SIG	VCC
Layer 4	GND	SIG	VCC	SIG
Decoupling	Good	Good	Bad	Bad
EMC	Bad	Bad	Bad	Bad
Signal integrity	Bad	Bad	Good	Bad
Self disturbance	Satisfaction	Satisfaction	Satisfaction	High

Generally, the use of microstrip traces needs at least two layers, whereas one of them must be a GND plane. Better is the use of a four-layer PCB, with a GND and a VCC plane and two signal layers. If the circuit is complex and signals must be routed as stripline, because of propagation delay and/or characteristic impedance, a six-layer stackup should be used.

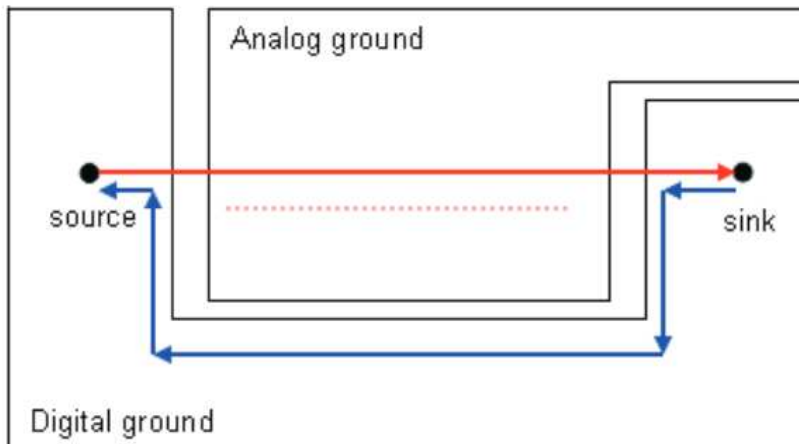
#### 12.1.2 Power and Ground Planes

A complete ground plane in high-speed design is essential. Additionally, a complete power plane is recommended as well. In a complex system, several regulated voltages can be present. The best solution is for every voltage to have its own layer and its own ground plane. This would result in a huge number of layers just for ground and supply voltages.

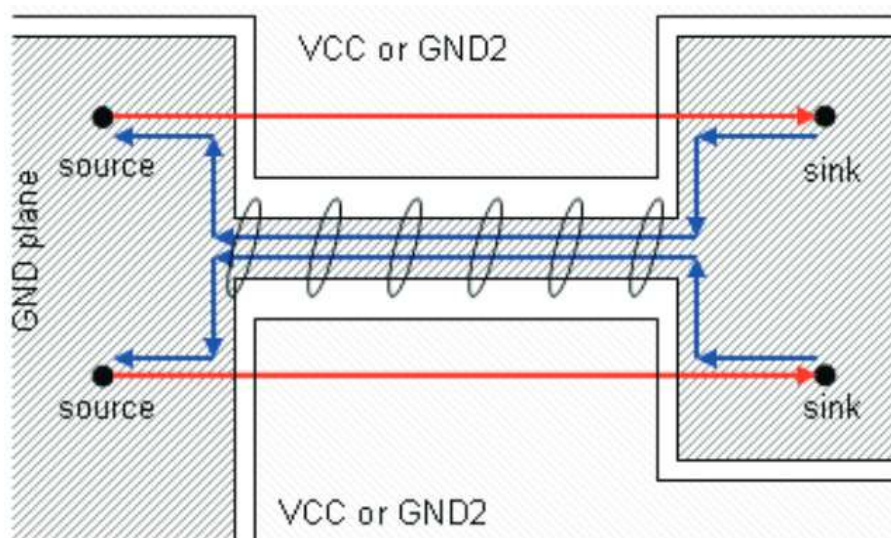
In a mixed-signal design (for example, using data converters) the manufacturer often recommends splitting the analog ground and the digital ground to avoid noise coupling between the digital part and the sensitive analog part. Take care when using split ground planes, because the following occurs:

- Split ground planes act as slot antennas and radiate
- A routed trace over a gap creates large loop areas, because the return current cannot flow beside the signal. The signal can induce noise into the nonrelated reference plane (see [Figure 22](#)).
- With a proper signal routing, crosstalk also can arise in the return current path due to discontinuities in the ground plane. Always take care of the return current (see [Figure 23](#)).

Do not route a signal referenced to digital ground over analog ground and vice versa (see [Figure 22](#)). The return current cannot take the direct way along the signal trace and so a loop area occurs. Furthermore, the signal induces noise, due to crosstalk (dotted red line) into the analog ground plane.



**Figure 22. Loop Area and Crosstalk Due to Poor Signal Routing and Ground Splitting**



**Figure 23. Crosstalk Induced by the Return Current Path**

### 12.1.3 Traces, Vias, and Other PCB Components

A right angle in a trace can cause more radiation. The capacitance increases in the region of the corner, and the characteristic impedance changes. This impedance change causes reflections.

Avoid right-angle bends in a trace and try to route them at least with two 45° corners. To minimize any impedance change, the best routing would be a round bend (see [Figure 24](#)).

Separate high-speed signals (for example, clock signals) from low-speed signals and digital from analog signals; again, placement is important.

To minimize crosstalk not only between two signals on one layer but also between adjacent layers, route them with 90° to each other.

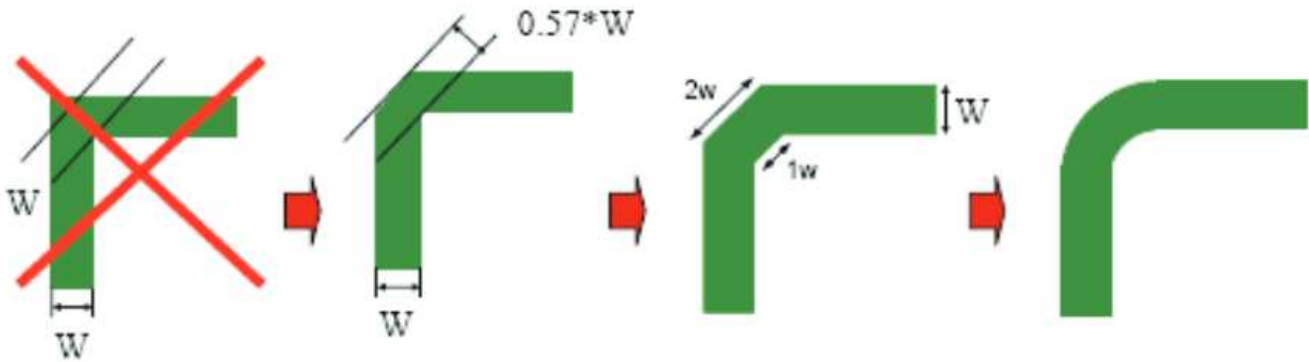


Figure 24. Right Angle Bend Examples

## 12.2 Layout Example

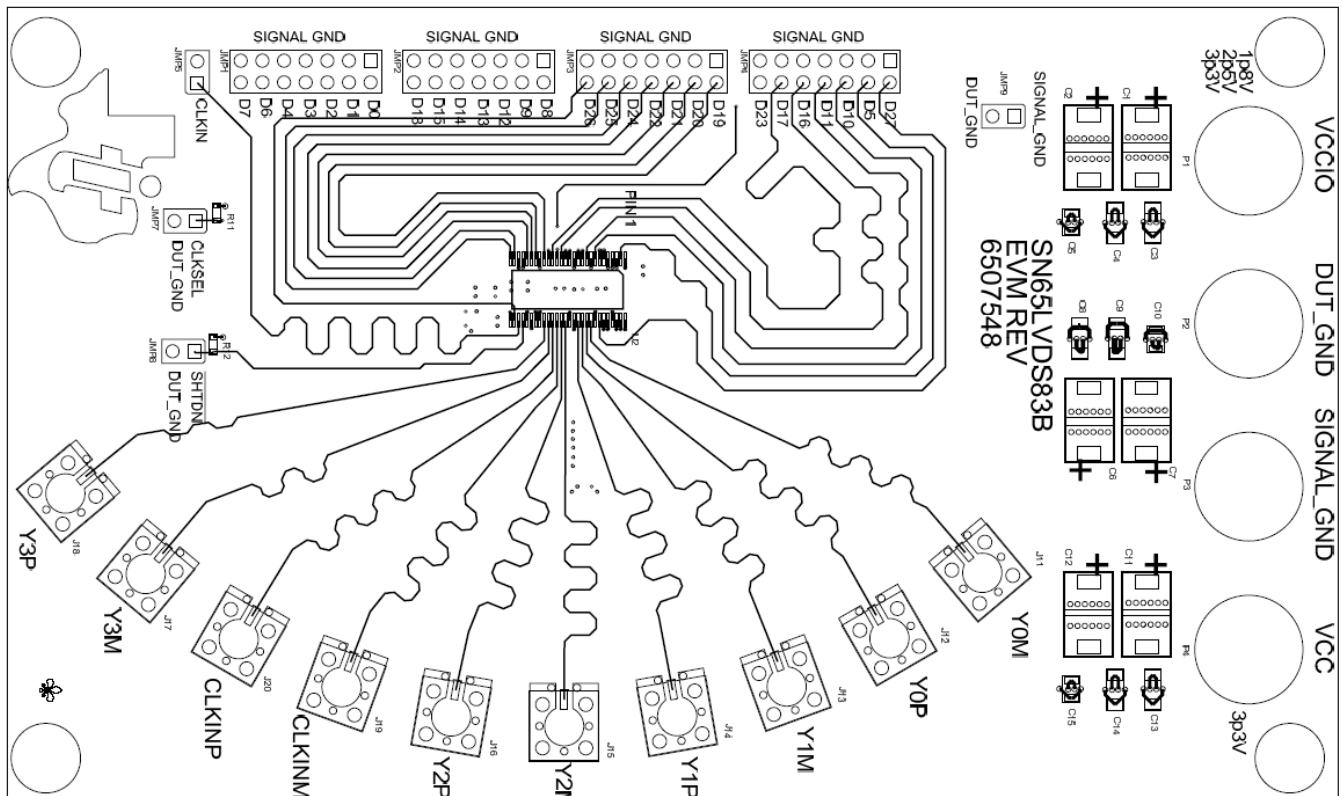
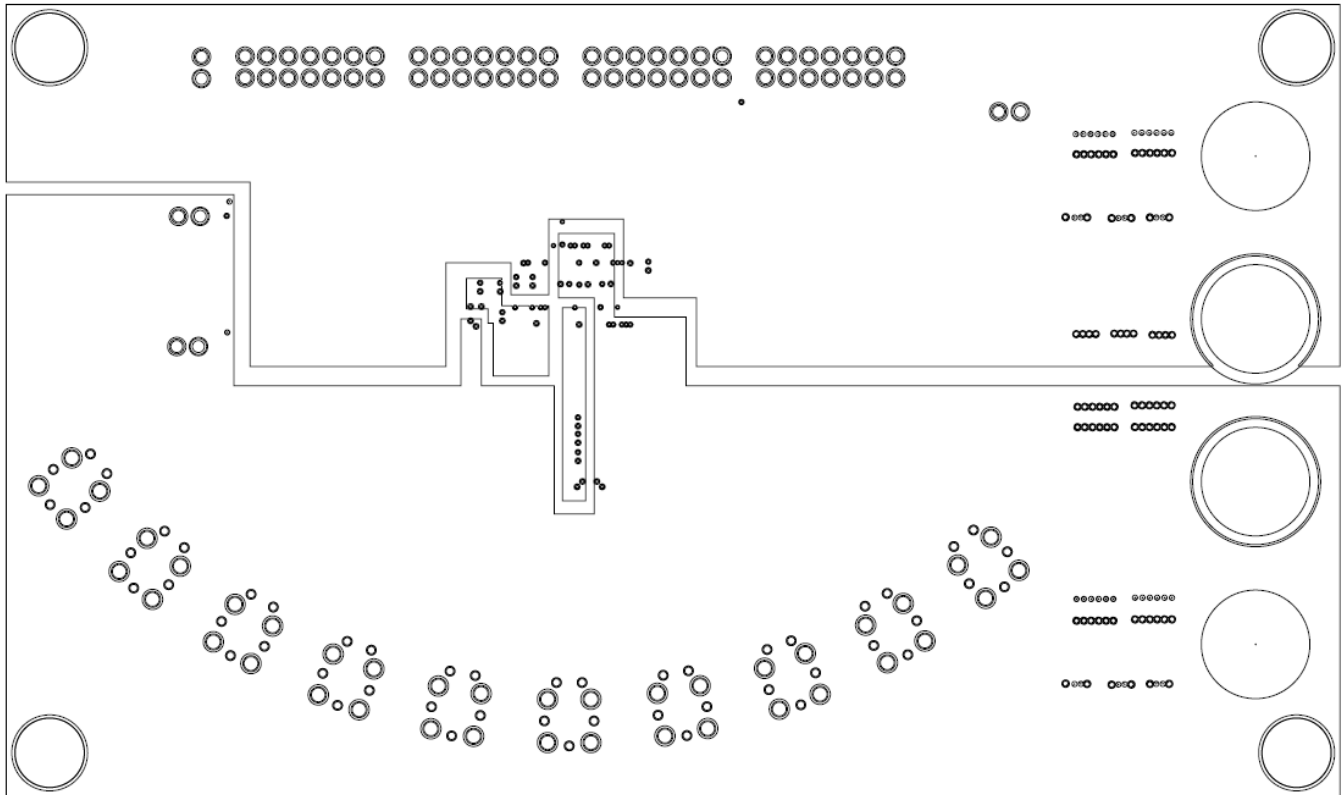


Figure 25. SN75LVDS83B EVM Top Layer – TSSOP Package

**Layout Example (continued)**



**Figure 26. SN75LVDS83B EVM VCC Layer – TSSOP Package**

## 13 Device and Documentation Support

### 13.1 Receiving Notification of Documentation Updates

To receive notification of documentation updates, navigate to the device product folder on ti.com. In the upper right corner, click on *Alert me* to register and receive a weekly digest of any product information that has changed. For change details, review the revision history included in any revised document.

### 13.2 Community Resources

The following links connect to TI community resources. Linked contents are provided "AS IS" by the respective contributors. They do not constitute TI specifications and do not necessarily reflect TI's views; see TI's [Terms of Use](#).

**TI E2E™ Online Community** *TI's Engineer-to-Engineer (E2E) Community*. Created to foster collaboration among engineers. At e2e.ti.com, you can ask questions, share knowledge, explore ideas and help solve problems with fellow engineers.

**Design Support** *TI's Design Support* Quickly find helpful E2E forums along with design support tools and contact information for technical support.

### 13.3 Trademarks

OMAP, DaVinci, Flatlink, E2E are trademarks of Texas Instruments. All other trademarks are the property of their respective owners.

### 13.4 Electrostatic Discharge Caution



These devices have limited built-in ESD protection. The leads should be shorted together or the device placed in conductive foam during storage or handling to prevent electrostatic damage to the MOS gates.

### 13.5 Glossary


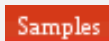
[SLYZ022](#) — *TI Glossary*.

This glossary lists and explains terms, acronyms, and definitions.

## 14 Mechanical, Packaging, and Orderable Information

The following pages include mechanical, packaging, and orderable information. This information is the most current data available for the designated devices. This data is subject to change without notice and revision of this document. For browser-based versions of this data sheet, refer to the left-hand navigation.

**PACKAGING INFORMATION**

Orderable Device	Status (1)	Package Type	Package Drawing	Pins	Package Qty	Eco Plan (2)	Lead finish/ Ball material (6)	MSL Peak Temp (3)	Op Temp (°C)	Device Marking (4/5)	Samples
SN75LVDS83ADGG	ACTIVE	TSSOP	DGG	56	35	RoHS & Green	NIPDAU	Level-2-260C-1 YEAR	-10 to 70	LVDS83A	
SN75LVDS83ADGGR	ACTIVE	TSSOP	DGG	56	2000	RoHS & Green	NIPDAU	Level-2-260C-1 YEAR	-10 to 70	LVDS83A	

(1) The marketing status values are defined as follows:

**ACTIVE:** Product device recommended for new designs.

**LIFEBUY:** TI has announced that the device will be discontinued, and a lifetime-buy period is in effect.

**NRND:** Not recommended for new designs. Device is in production to support existing customers, but TI does not recommend using this part in a new design.

**PREVIEW:** Device has been announced but is not in production. Samples may or may not be available.

**OBSOLETE:** TI has discontinued the production of the device.

(2) **RoHS:** TI defines "RoHS" to mean semiconductor products that are compliant with the current EU RoHS requirements for all 10 RoHS substances, including the requirement that RoHS substance do not exceed 0.1% by weight in homogeneous materials. Where designed to be soldered at high temperatures, "RoHS" products are suitable for use in specified lead-free processes. TI may reference these types of products as "Pb-Free".

**RoHS Exempt:** TI defines "RoHS Exempt" to mean products that contain lead but are compliant with EU RoHS pursuant to a specific EU RoHS exemption.

**Green:** TI defines "Green" to mean the content of Chlorine (Cl) and Bromine (Br) based flame retardants meet JS709B low halogen requirements of <=1000ppm threshold. Antimony trioxide based flame retardants must also meet the <=1000ppm threshold requirement.

(3) MSL, Peak Temp. - The Moisture Sensitivity Level rating according to the JEDEC industry standard classifications, and peak solder temperature.

(4) There may be additional marking, which relates to the logo, the lot trace code information, or the environmental category on the device.

(5) Multiple Device Markings will be inside parentheses. Only one Device Marking contained in parentheses and separated by a "~" will appear on a device. If a line is indented then it is a continuation of the previous line and the two combined represent the entire Device Marking for that device.

(6) Lead finish/Ball material - Orderable Devices may have multiple material finish options. Finish options are separated by a vertical ruled line. Lead finish/Ball material values may wrap to two lines if the finish value exceeds the maximum column width.

**Important Information and Disclaimer:**The information provided on this page represents TI's knowledge and belief as of the date that it is provided. TI bases its knowledge and belief on information provided by third parties, and makes no representation or warranty as to the accuracy of such information. Efforts are underway to better integrate information from third parties. TI has taken and continues to take reasonable steps to provide representative and accurate information but may not have conducted destructive testing or chemical analysis on incoming materials and chemicals. TI and TI suppliers consider certain information to be proprietary, and thus CAS numbers and other limited information may not be available for release.

In no event shall TI's liability arising out of such information exceed the total purchase price of the TI part(s) at issue in this document sold by TI to Customer on an annual basis.





**TAPE AND REEL INFORMATION**

**QUADRANT ASSIGNMENTS FOR PIN 1 ORIENTATION IN TAPE**


\*All dimensions are nominal

Device	Package Type	Package Drawing	Pins	SPQ	Reel Diameter (mm)	Reel Width W1 (mm)	A0 (mm)	B0 (mm)	K0 (mm)	P1 (mm)	W (mm)	Pin1 Quadrant
SN75LVDS83ADGGR	TSSOP	DGG	56	2000	330.0	24.4	8.6	15.6	1.8	12.0	24.0	Q1

**TAPE AND REEL BOX DIMENSIONS**


\*All dimensions are nominal

Device	Package Type	Package Drawing	Pins	SPQ	Length (mm)	Width (mm)	Height (mm)
SN75LVDS83ADGGR	TSSOP	DGG	56	2000	367.0	367.0	45.0

**TUBE**


\*All dimensions are nominal

Device	Package Name	Package Type	Pins	SPQ	L (mm)	W (mm)	T (μm)	B (mm)
SN75LVDS83ADGG	DGG	TSSOP	56	35	530	11.89	3600	4.9

# DGG0056A



# PACKAGE OUTLINE

## TSSOP - 1.2 mm max height

SMALL OUTLINE PACKAGE



4222167/A 07/2015

### NOTES:

1. All linear dimensions are in millimeters. Any dimensions in parenthesis are for reference only. Dimensioning and tolerancing per ASME Y14.5M.
2. This drawing is subject to change without notice.
3. This dimension does not include mold flash, protrusions, or gate burrs. Mold flash, protrusions, or gate burrs shall not exceed 0.15 mm per side.
4. Reference JEDEC registration MO-153.

# EXAMPLE BOARD LAYOUT

DGG0056A

TSSOP - 1.2 mm max height

SMALL OUTLINE PACKAGE



LAND PATTERN EXAMPLE  
SCALE:6X



SOLDER MASK DETAILS

4222167/A 07/2015

NOTES: (continued)

- 5. Publication IPC-7351 may have alternate designs.
- 6. Solder mask tolerances between and around signal pads can vary based on board fabrication site.

# EXAMPLE STENCIL DESIGN

DGG0056A

TSSOP - 1.2 mm max height

SMALL OUTLINE PACKAGE



SOLDER PASTE EXAMPLE  
BASED ON 0.125 mm THICK STENCIL  
SCALE:6X

4222167/A 07/2015

NOTES: (continued)

7. Laser cutting apertures with trapezoidal walls and rounded corners may offer better paste release. IPC-7525 may have alternate design recommendations.
8. Board assembly site may have different recommendations for stencil design.

## IMPORTANT NOTICE AND DISCLAIMER

TI PROVIDES TECHNICAL AND RELIABILITY DATA (INCLUDING DATA SHEETS), DESIGN RESOURCES (INCLUDING REFERENCE DESIGNS), APPLICATION OR OTHER DESIGN ADVICE, WEB TOOLS, SAFETY INFORMATION, AND OTHER RESOURCES "AS IS" AND WITH ALL FAULTS, AND DISCLAIMS ALL WARRANTIES, EXPRESS AND IMPLIED, INCLUDING WITHOUT LIMITATION ANY IMPLIED WARRANTIES OF MERCHANTABILITY, FITNESS FOR A PARTICULAR PURPOSE OR NON-INFRINGEMENT OF THIRD PARTY INTELLECTUAL PROPERTY RIGHTS.

These resources are intended for skilled developers designing with TI products. You are solely responsible for (1) selecting the appropriate TI products for your application, (2) designing, validating and testing your application, and (3) ensuring your application meets applicable standards, and any other safety, security, regulatory or other requirements.

These resources are subject to change without notice. TI grants you permission to use these resources only for development of an application that uses the TI products described in the resource. Other reproduction and display of these resources is prohibited. No license is granted to any other TI intellectual property right or to any third party intellectual property right. TI disclaims responsibility for, and you will fully indemnify TI and its representatives against, any claims, damages, costs, losses, and liabilities arising out of your use of these resources.

TI's products are provided subject to [TI's Terms of Sale](#) or other applicable terms available either on [ti.com](#) or provided in conjunction with such TI products. TI's provision of these resources does not expand or otherwise alter TI's applicable warranties or warranty disclaimers for TI products.

TI objects to and rejects any additional or different terms you may have proposed.

Mailing Address: Texas Instruments, Post Office Box 655303, Dallas, Texas 75265  
Copyright © 2022, Texas Instruments Incorporated