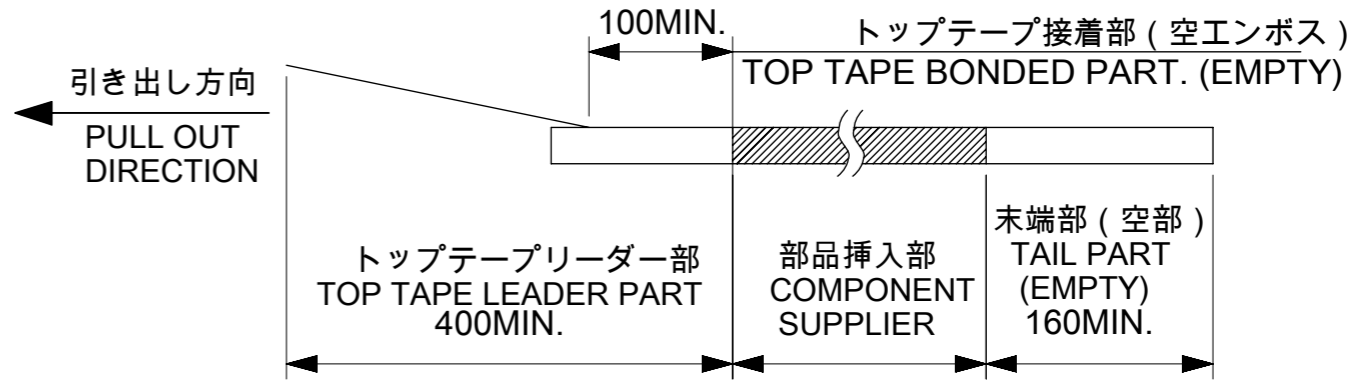


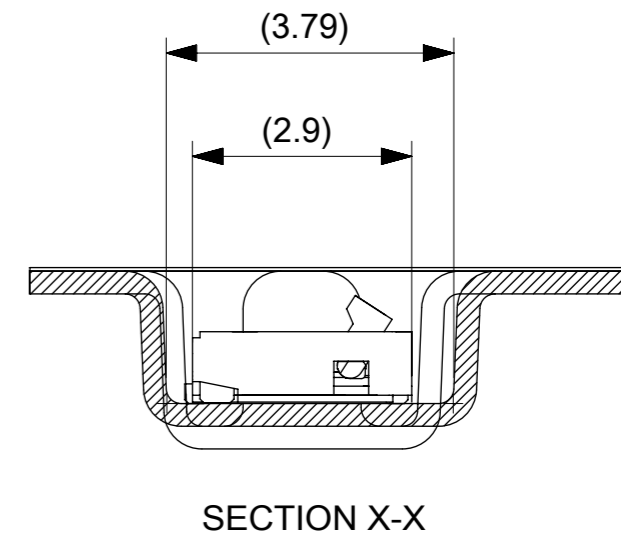
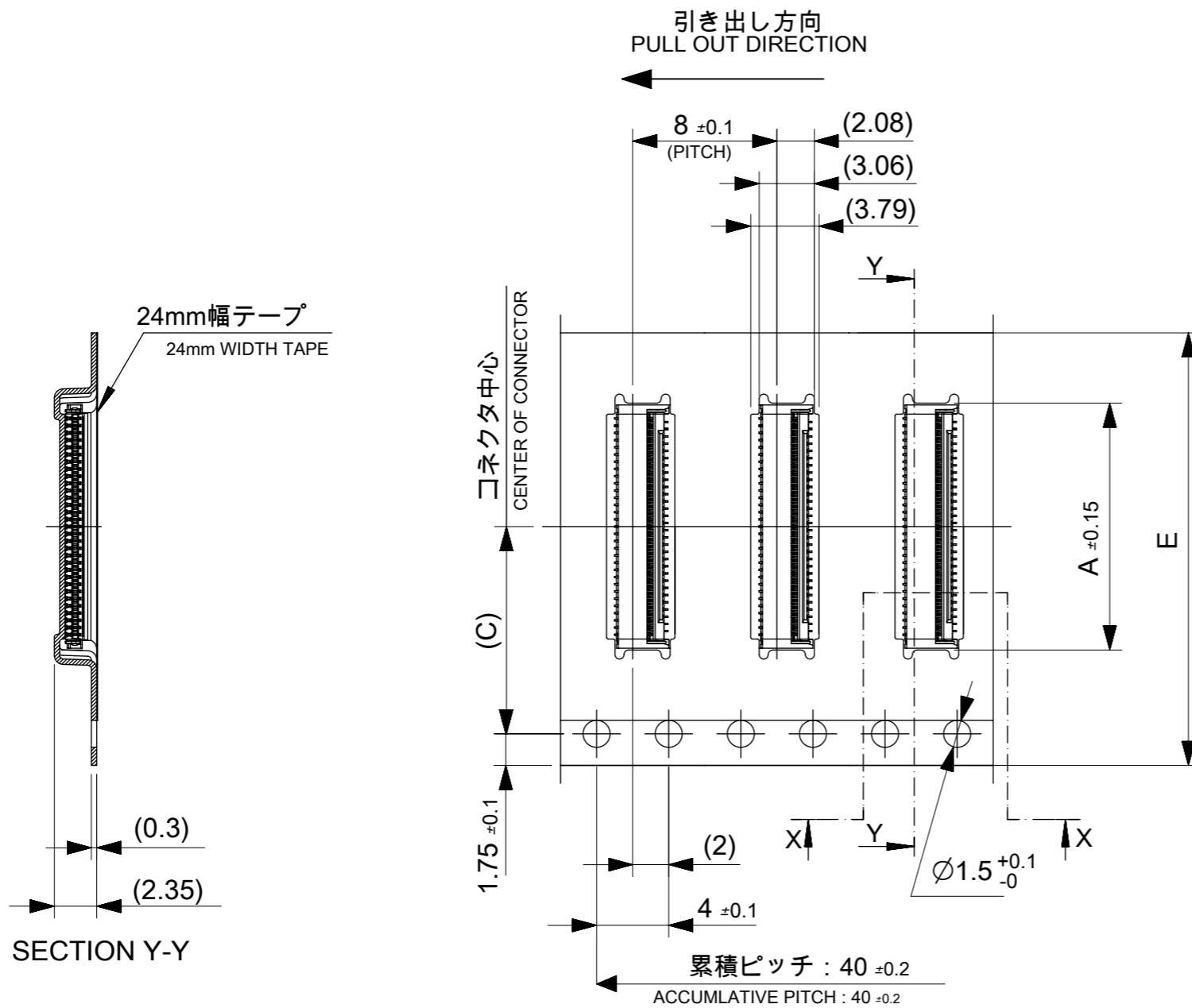
注記 NOTES

- 製品詳細寸法については図面5040701000_PSD_000を参照ください。
REFER TO THE 5040701000_PSD_000 ABOUT DIMENSIONS IN DETAIL.
- 梱包数量 : 3000個/リール , 71極 : 5,000個 /リール
NUMBER OF CONNECTORS : 3,000 PCS/REEL , 71CKT : 5,000PCS
- リードテープ長さ LEAD TAPE LENGTH



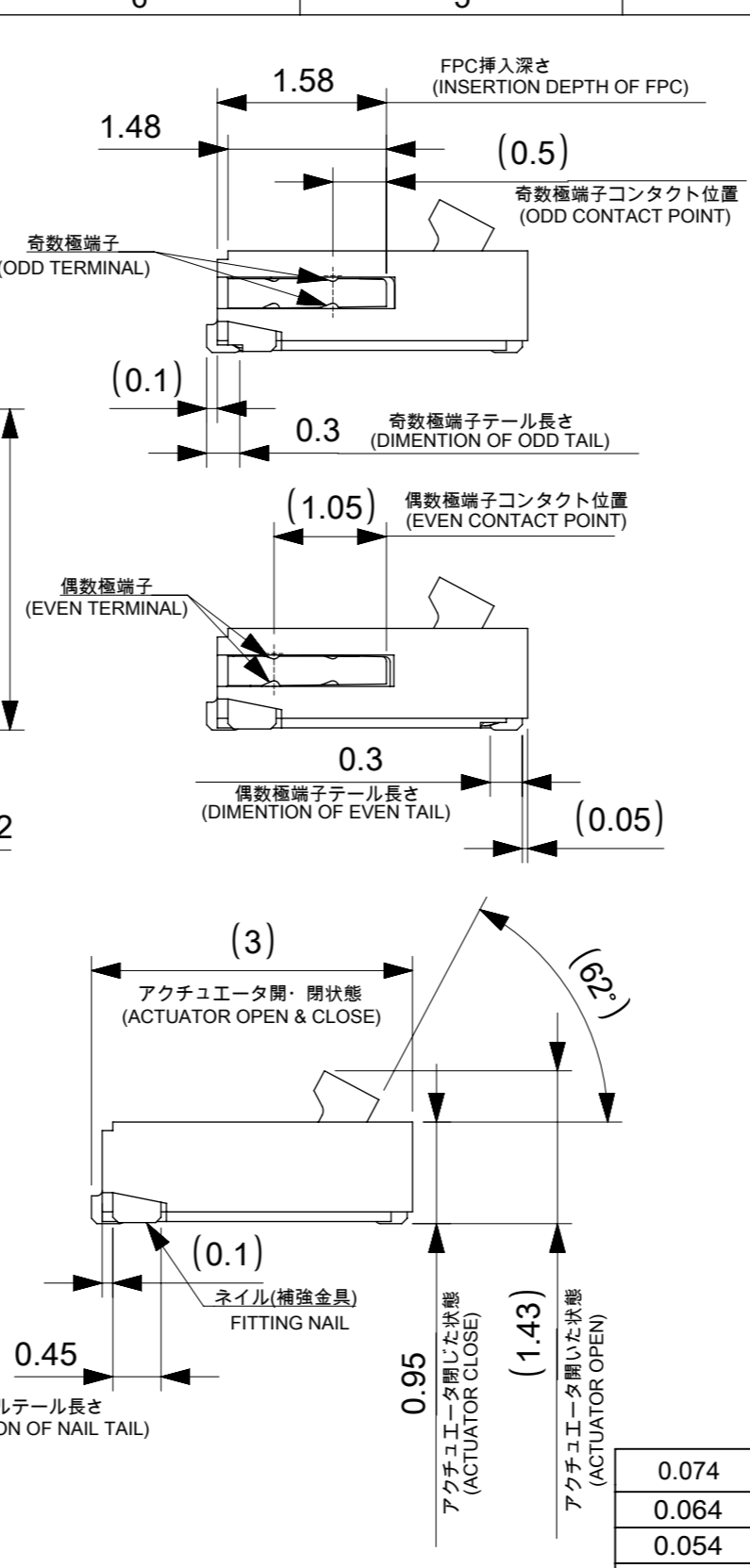
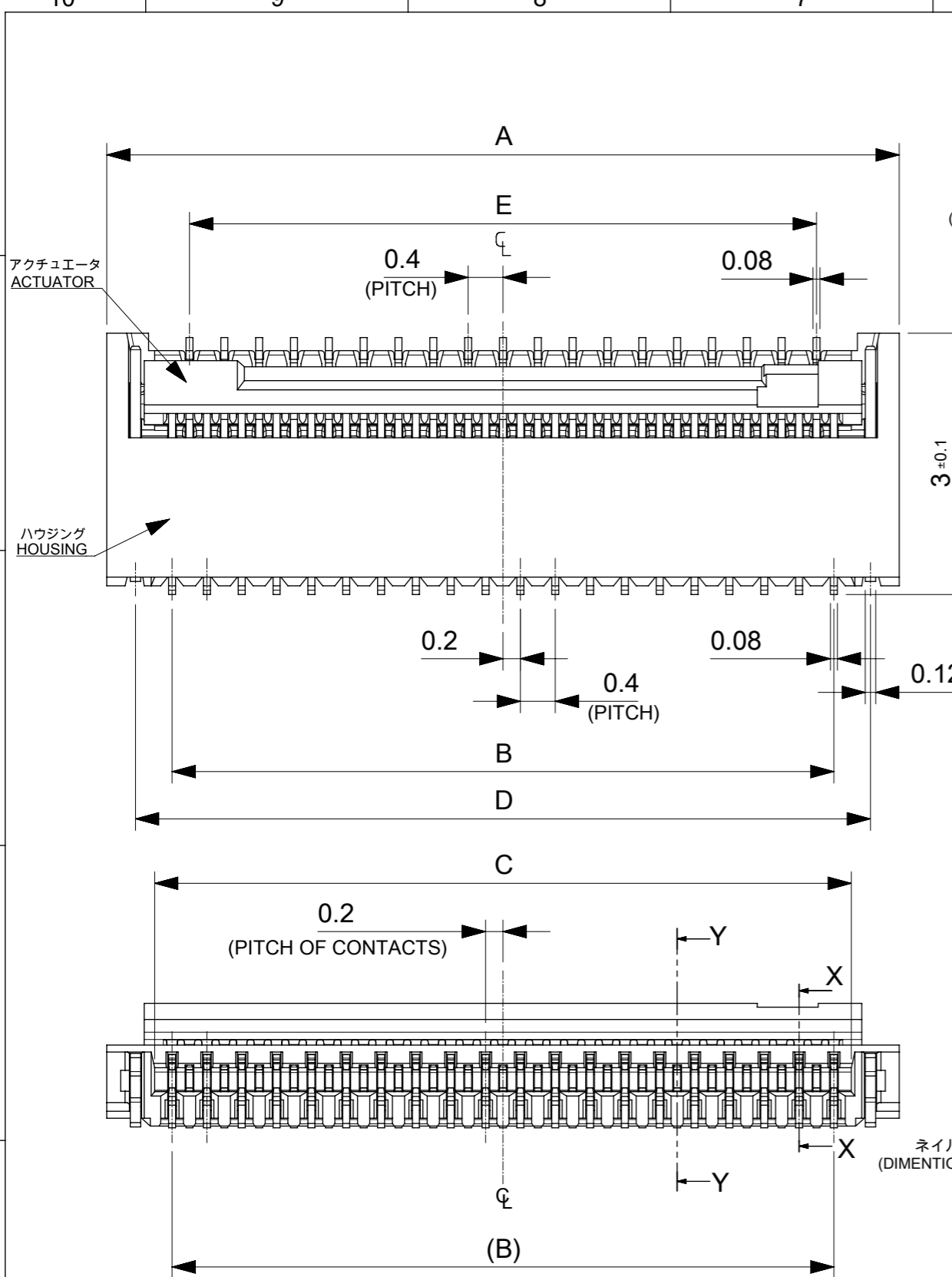
- 材料 MATERIAL
 キャリアテープ(CARRIER TAPE) : ポリスチレン (POLYSTYRENE)
 トップテープ(TOP TAPE) : PET, PE, PEF
 リール(REEL) : ポリスチレン(PS) <リサイクル材を含む>
 POLYSTYRENE (PS) < RECYCLE MATERIAL CONTAINED >

THIS DRAWING CONTAINS INFORMATION THAT IS PROPRIETARY TO MOLEX ELECTRONIC TECHNOLOGIES, LLC AND SHOULD NOT BE USED WITHOUT WRITTEN PERMISSION		CURRENT REV DESC: PROPOSED		molex	
DIMENSION UNITS	SCALE				
mm	NTS			PRODUCT CUSTOMER DRAWING	
GENERAL TOLERANCES (UNLESS SPECIFIED)		EC NO: 611109		DOCUMENT NUMBER	
ANGULAR TOL ± 1.0°		DRWN: AISHII 2019/01/23		5040700000	
4 PLACES ±		CHK'D: TRSUZUKI 2019/01/28		DOC TYPE DOC PART REVISION	
3 PLACES ±		APPR: RTAKEUCHI 2019/01/28		PSD 000 B	
2 PLACES ±		INITIAL REVISION:		MATERIAL NUMBER	
1 PLACE ±		DRWN: SKITAZAWA 2017/06/13		CUSTOMER	
0 PLACES ±		APPR: TKUSUHARA01 2017/07/24		GENERAL	
DRAFT WHERE APPLICABLE MUST REMAIN WITHIN DIMENSIONS		THIRD ANGLE PROJECTION	DRAWING	SERIES	SHEET NUMBER
			A3-SIZE	504070	1 OF 2



24±0.3	11.5	25.4	15.7	5040707181	5,000	71
			13.7	5040706191	3,000	61
			11.7	5040705191	3,000	51
			9.3	5040703991	3,000	39
E キャリアテープ幅 EMBOSSED TAPE WIDTH	C	B	A	オーダー番号 ORDER NO.	個数 NUMBER	極数 CIRCUITS

THIS DRAWING CONTAINS INFORMATION THAT IS PROPRIETARY TO MOLEX ELECTRONIC TECHNOLOGIES, LLC AND SHOULD NOT BE USED WITHOUT WRITTEN PERMISSION											
DIMENSION UNITS		SCALE		CURRENT REV DESC: PROPOSED							
mm		NTS		<p style="text-align: center;">molex</p> <p style="text-align: center;">0.2 FPC BACK FLIP PACKAGE TAPING PACKAGE (504070-***11 SERIES)</p> <p style="text-align: center;">PRODUCT CUSTOMER DRAWING</p>							
GENERAL TOLERANCES (UNLESS SPECIFIED)											
ANGULAR TOL ± 1.0°											
4 PLACES ±		EC NO: 611109									
3 PLACES ±		DRWN: AISHII 2019/01/23									
2 PLACES ±		CHK'D: TRSUZUKI 2019/01/28									
1 PLACE ±		APPR: RTAKEUCHI 2019/01/28									
0 PLACES ±		INITIAL REVISION:		DOCUMENT NUMBER							
DRAFT WHERE APPLICABLE MUST REMAIN WITHIN DIMENSIONS		THIRD ANGLE PROJECTION		DRAWING		SERIES		MATERIAL NUMBER		CUSTOMER	
				A3-SIZE		504070		SEE TABLE		GENERAL	
								5040700000		PSD 000 B	
										2 OF 2	

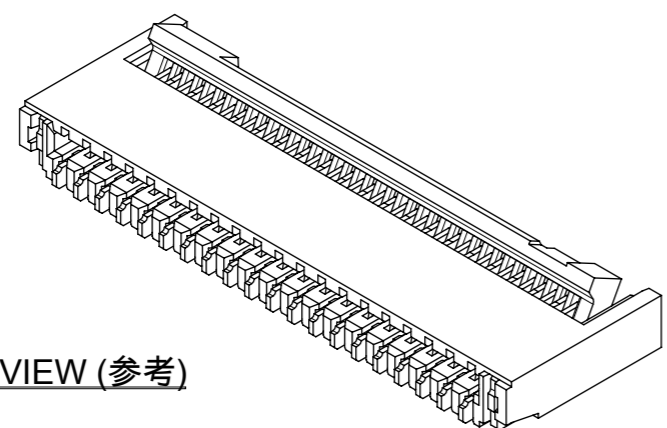


- 注記 NOTES**
- 材質 MATERIAL
 ハウジング：熱可塑性樹脂、黒色、UL94 V-0
 アクチュエータ：熱可塑性樹脂
 奇数極端子・偶数極端子：銅合金(t0.08)、ニッケル下地、金めっき
 ネイル(補強金具)：銅合金(t0.12)、ニッケル下地、錫めっき
 HOUSING：THERMOPLASTIC RESIN, BLACK, UL94 V-0
 ACTUATOR：THERMOPLASTIC RESIN
 TERMINAL：COPPER ALLOY(t0.08), GOLD OVER NICKEL PLATING
 FITTING NAIL：COPPER ALLOY(t0.12), TIN OVER NICKEL PLATING
 - めっき仕様 PLATING
 ターミナル TERMINAL
 接点部：金めっき 0.1μm以上
 テール部：金めっき
 下地：ニッケルめっき 1.0μm以上
 CONTACT AREA：GOLD PLATING 0.1 MICROMETER MNIMUM
 TAIL AREA：GOLD PLATING
 UNDER PLATNG：NICKEL PLATING 1.0 MICROMETER MNIMUM
 ネイル(補強金具) FITTING NAIL
 錫めっき 1.0μm以上
 下地：ニッケルめっき：1.0μm以上
 TIN PLATING 1.0 MICROMETER MNIMUM
 UNDER PLATNG：NICKEL PLATING 1.0 MICROMETER MNIMUM
 - 端子・ネイルの平坦度は0.1mm以下とする。
 COPLANARITY OF TAILS AND FITTING NAILS :0.1 MAXIMUM.
 - 各寸法の公差設定を下記のとおりとする。
 THE TOLERANCE SETTING OF EACH DIMENTION IS AS FOLLOWS.

寸法範囲 DIMENSIONAL RANGE	公差 TOLERANCES
30≦寸法値 DIMENTION	±0.3
10≦寸法値 DIMENTION < 30	±0.25
1≦寸法値 DIMENTION < 10	±0.2
0.5≦寸法値 DIMENTION < 1	±0.1
0.25≦寸法値 DIMENTION < 0.5	±0.05
寸法値 DIMENTION < 0.25	±0.03

0.074	13.6	14.84	14.4	14	15.5	5040707181	5,000	71
0.064	11.6	12.84	12.4	12	13.5	5040706191	3,000	61
0.054	9.6	10.84	10.4	10	11.5	5040705191	3,000	51
0.043	7.2	8.44	8	7.6	9.1	5040703991	3,000	39
重さ(g) WEIGHT(g)	E	D	C	B	A	EMBOSSDPACKAGE オーダー番号：ORDER NO.	個数 NUMBER	極数 CIRCUITS

CONNECTOR SERIES : 504070**11



THIS DRAWING CONTAINS INFORMATION THAT IS PROPRIETARY TO MOLEX ELECTRONIC TECHNOLOGIES, LLC AND SHOULD NOT BE USED WITHOUT WRITTEN PERMISSION

DIMENSION UNITS: mm SCALE: 15:1

GENERAL TOLERANCES (UNLESS SPECIFIED): ANGULAR TOL ± 1.0°

CURRENT REV DESC:

EC NO: 717102
 DRWN: RAJAGN 2022/08/02
 CHK'D: SMARUYAMA 2022/08/09
 APPR: YNAITO 2022/08/09

INITIAL REVISION:
 DRWN: SKITAZAWA 2016/06/30
 APPR: TKUSUHARA01 2017/07/24

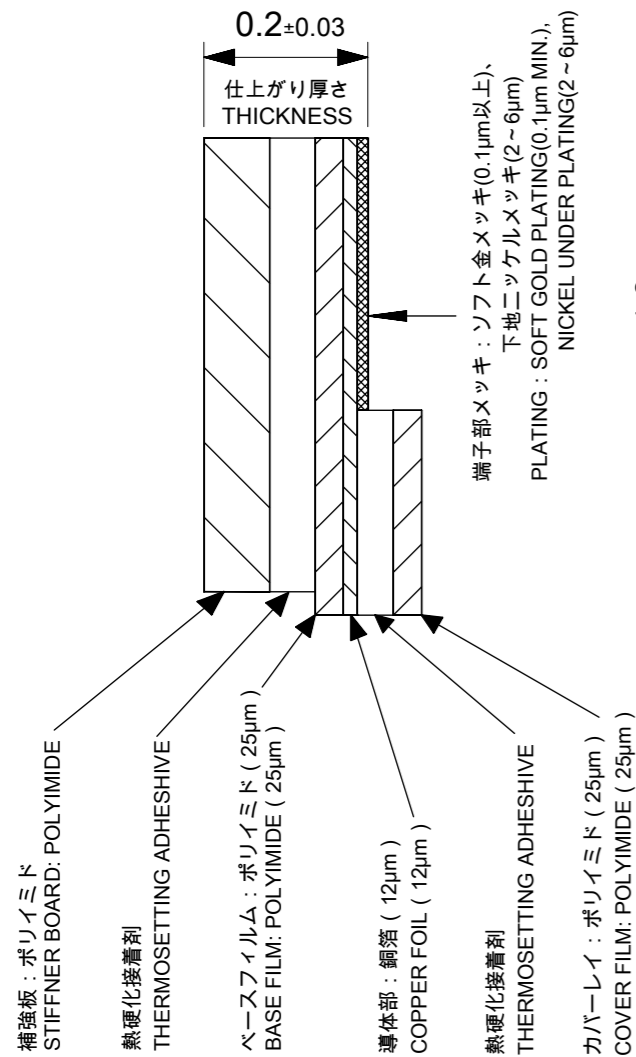
molex

0.2 FPC CONN. BACK FLIP HOUSING ASSY LOW-HALOGEN

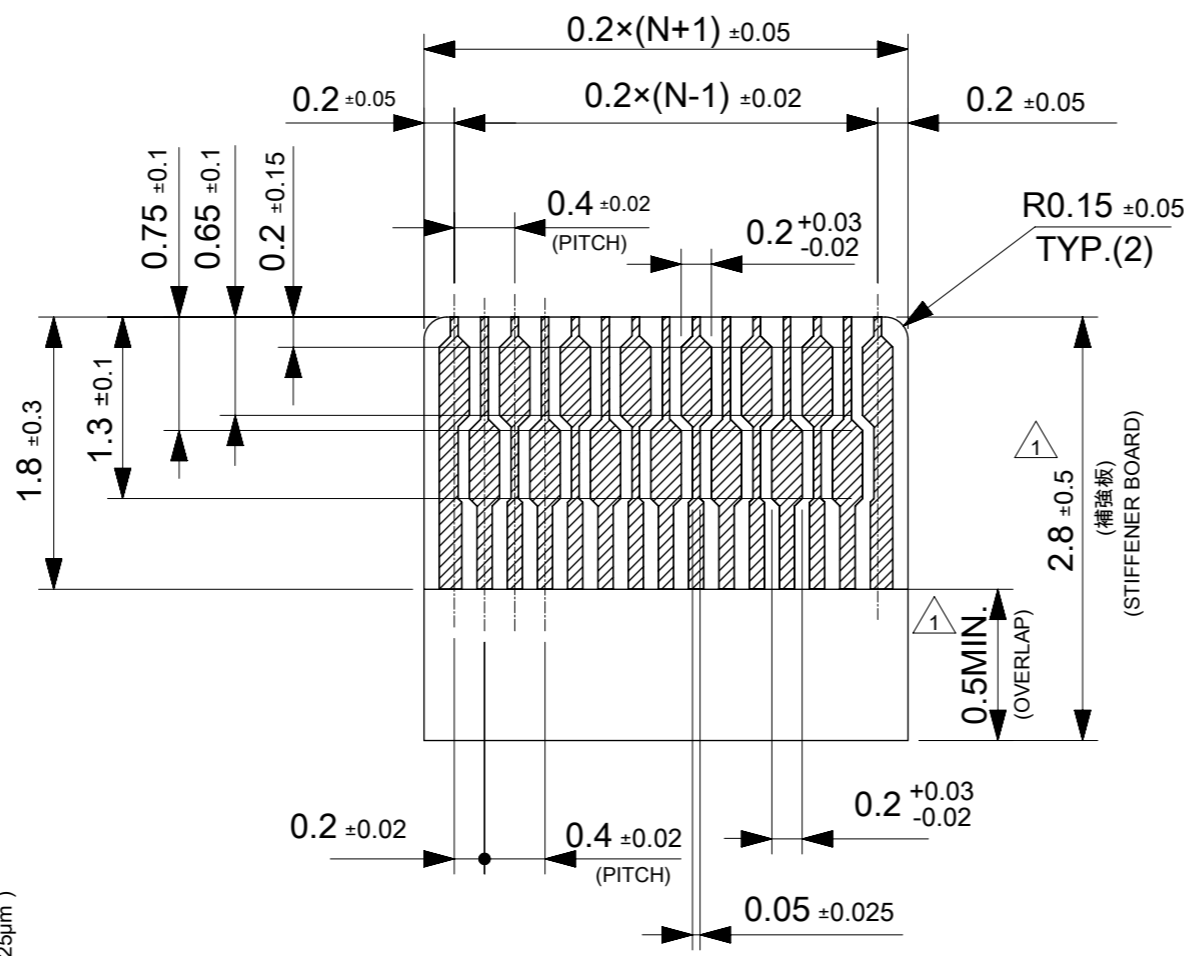
PRODUCT CUSTOMER DRAWING

DOCUMENT NUMBER: 5040701000 DOC TYPE: PSD DOC PART: 000 REVISION: C

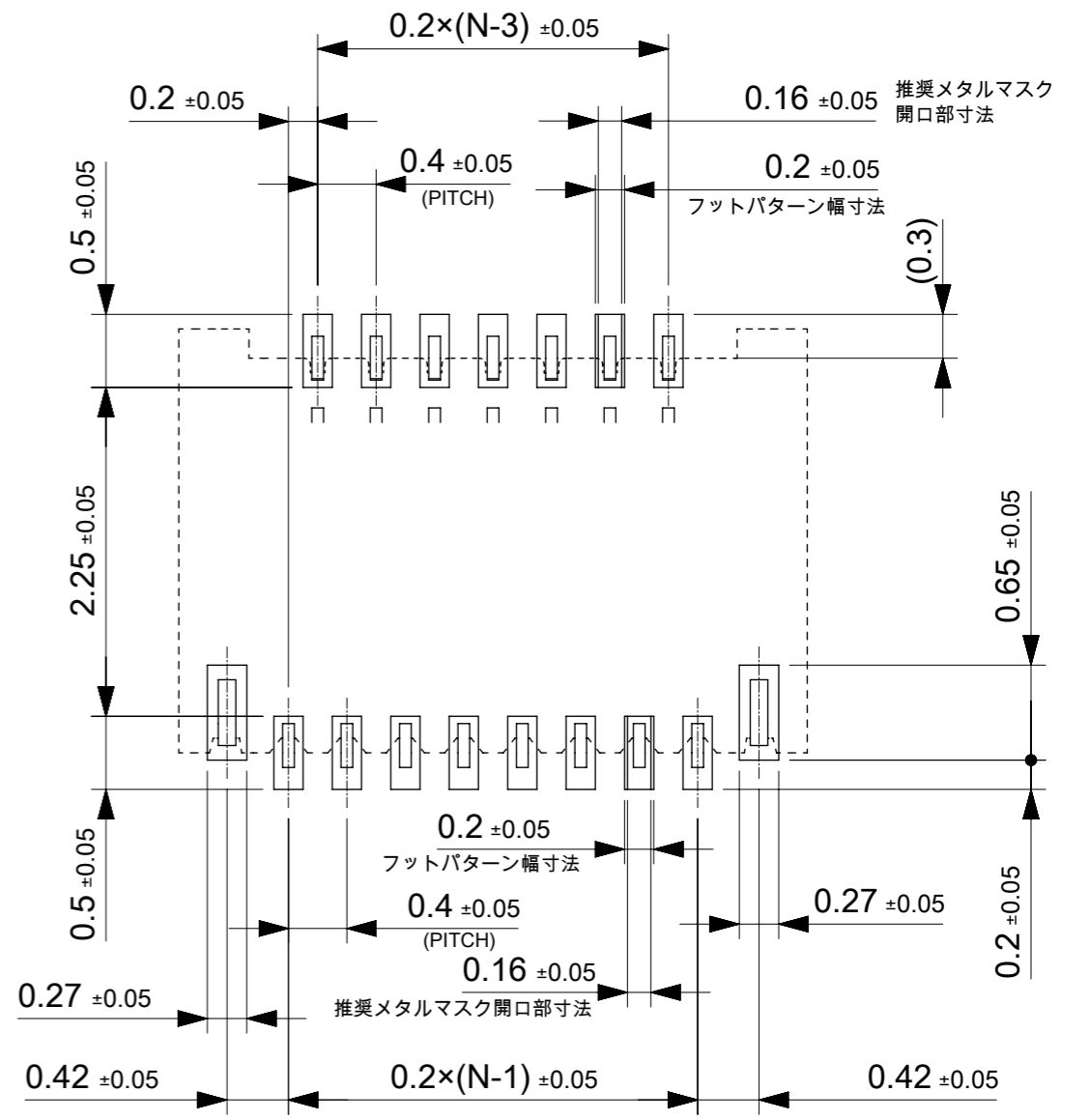
DRAFT WHERE APPLICABLE MUST REMAIN WITHIN DIMENSIONS THIRD ANGLE PROJECTION DRAWING SERIES: A3-SIZE 504070 MATERIAL NUMBER: SEE TABLE CUSTOMER: GENERAL SHEET NUMBER: 1 OF 2



FPC構成推奨仕様
(STRUCTURE OF FPC)



適合する金めっきFPC推奨寸法
APPLICABLE FPC OF GOLD PLATING
RECOMMENDED DIMENSION
(仕上がり厚さ : 0.2±0.03)
(THICKNESS: 0.2±0.03)



推奨基板寸法
RECOMMENDED
P.C.B PATTERN LAYOUT

推奨ペースト厚 : 100μm
推奨マスク開口率 : 80%
RECOMMEND SCREEN THICKNESS : 100μm
RECOMMEND SCREEN OPEN RATIO : 80%

・ FPCについて(ABOUT FPC) :

抜き方向は、導体側から補強板側を推奨致します。
補強フィルム材質は、ポリイミドを推奨致します。
接着剤は熱硬化接着剤を推奨致します。
尚、接着剤の接点部への付着は導通不良の原因になりますので、染み出しが無い様、お願い致します。
RECOMMENDED PUNCHER DIRECTION : FROM CONDUCTOR SIDE TO STIFFENER FILM SIDE.
RECOMMENDED MATERIAL: STIFFENER FILM : POLYIMIDE
BONDING AGENT : THERMOSETTING AGENT
PLEASE PUT APPROPRIATE AMOUNT OF ADHESIVE ON ADHEREND
BECAUSE THERE IS A POSSIBILITY THAT THE EXTRA ADHESIVE
CAUSES THE DEFECT IN ELECTRICAL CONTINUITY.

△補強板長さが図面通り確保できない場合は、カバーレイと補強板のオーバーラップ寸法を0.5mm以上としてください。
WHEN STIFFENER BOARD DIMENSION CAN NOT SECURE AS DRAWING, PLEASE GIVE THE OVERLAP SIZE OF COVER FILM AND STIFFENER BOARD AS 0.5mm MINIMUM.

THIS DRAWING CONTAINS INFORMATION THAT IS PROPRIETARY TO MOLEX ELECTRONIC TECHNOLOGIES, LLC AND SHOULD NOT BE USED WITHOUT WRITTEN PERMISSION		CURRENT REV DESC:									
DIMENSION UNITS	SCALE							0.2 FPC CONN. BACK FLIP HOUSING ASSY LOW-HALOGEN			
mm	2:1			PRODUCT CUSTOMER DRAWING							
GENERAL TOLERANCES (UNLESS SPECIFIED)											
ANGULAR TOL ± 1.0°											
4 PLACES ±		EC NO: 717102		DRWN: RAJAGN	2022/08/02						
3 PLACES ±		CHK'D: SMARUYAMA		APPR: YNAITO	2022/08/09						
2 PLACES ±		INITIAL REVISION:		DRWN: SKITAZAWA	2016/06/30						
1 PLACE ±		APPR: TKUSUHARA01		APPR: TKUSUHARA01	2017/07/24						
0 PLACES ±				DOCUMENT NUMBER		DOC TYPE	DOC PART	REVISION			
DRAFT WHERE APPLICABLE MUST REMAIN WITHIN DIMENSIONS				THIRD ANGLE PROJECTION		DRAWING	SERIES	MATERIAL NUMBER	CUSTOMER	SHEET NUMBER	
				A3-SIZE		504070	5040701000	PSD	000	C	
DOCUMENT STATUS				P1	RELEASE DATE	2022/08/09	07:50:07				