

CMX865A

DTMF / FSK Combo IC

DTMF Codec and FSK Modem Signalling Device

Introduction

DTMF (Dual Tone Multi-Frequency) signalling is fundamental to telephone line connectivity and interconnect.

The CMX865A provides a unique combination of an industrial standard DTMF encoder/decoder combined with a multi-standard FSK modem. This enables basic call setup and call progress functionality followed by data signalling for remote control, status notification and data acquisition in a wide variety of applications.



Applications

- Wireless Local Loop
- Wireless data terminals
- Security systems
- Lift communications
- Alarm panels
- Call blockers
- SMS phones
- PABX/PBX
- Feature phones
- Industrial control
- General DTMF signalling
- Remote meter reading
- Repeater systems
- POS terminals



Brief Description

The CMX865A combines a high performance DTMF encoder/decoder with a V.23/V.21/Bell 103/Bell202 FSK modem, in a single IC.

The high-quality DTMF decoder has excellent immunity to falsing on voice and includes a standard DTMF encoder. Alternatively, these blocks can be used to transmit and detect user-specific, programmed single and dual-tone signals, simple melodies, call progress signals or modem calling and answering tones.

The multi-standard telephone line modem is ideally suited to telephone based information and telemetry systems.

A flexible line driver, hybrid and receiver circuits are integrated on chip, requiring only passive external components to build a 2 or 4-wire line interface.

Host control and data transfer is via a serial bus that operates in normal and Powersave modes and is compatible with most types of μ C serial interface. An embedded USART allows multi-format asynchronous data and unformatted synchronous data to be received or transmitted as 8-bit bytes.

The CMX865A operates from a single 3.0V to 3.6V supply over a temperature range of -40°C to $+85^{\circ}\text{C}$ and is available in 16-pin SOIC (D4) and 16-pin TSSOP (E4) packages.

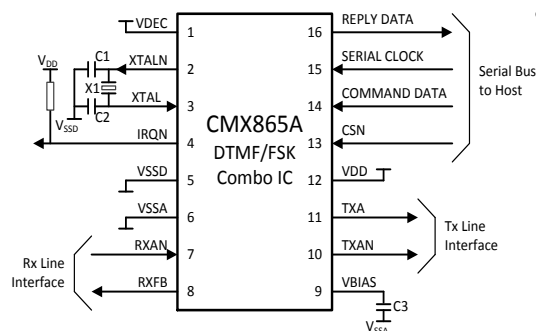
New

PE0302-865A Evaluation Kit

Provides fast and efficient evaluation of the CMX865A DTMF/FSK Combo IC

- Direct connection to the PE0003 Universal Interface Card that includes PC Software
- Fully isolated 2-wire interface (DAA)
- Scripts aid evaluation and product development
- 5V power supply with on-board regulator

CMX865A Pin-out



CMX865A Features

- High Performance DTMF Encoder/Decoder
 - Low Voice Falsing
 - User Programmable Tones
- Multi-standard Modem
 - V.23 1200/75, 1200/1200, 75, 1200 bps FSK
 - Bell 202 1200/150, 1200/1200, 150, 1200 bps FSK
 - V.21 or Bell 103 300/300 bps FSK
- Call progress tone detection
- Modem calling/answer tones
- Serial bus interface to host
- Low Power 3.0V - 3.6V operation
- Embedded USART
 - Multi-formatted asynchronous data transfer
 - Unformatted synchronous data transfer

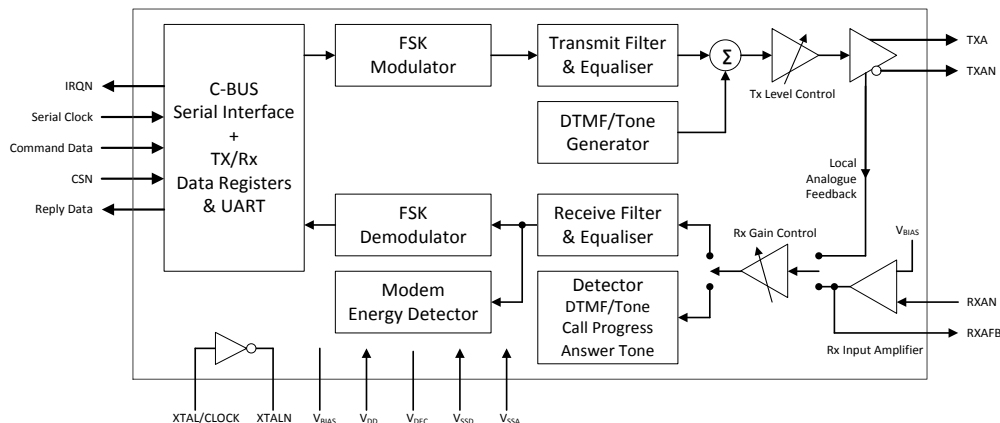


16-pin SOIC Package

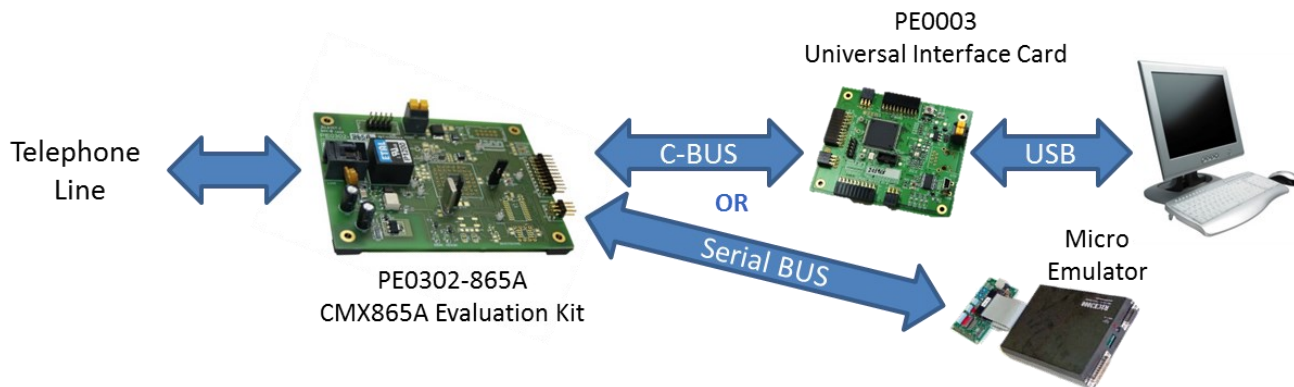


16-pin TSSOP Package

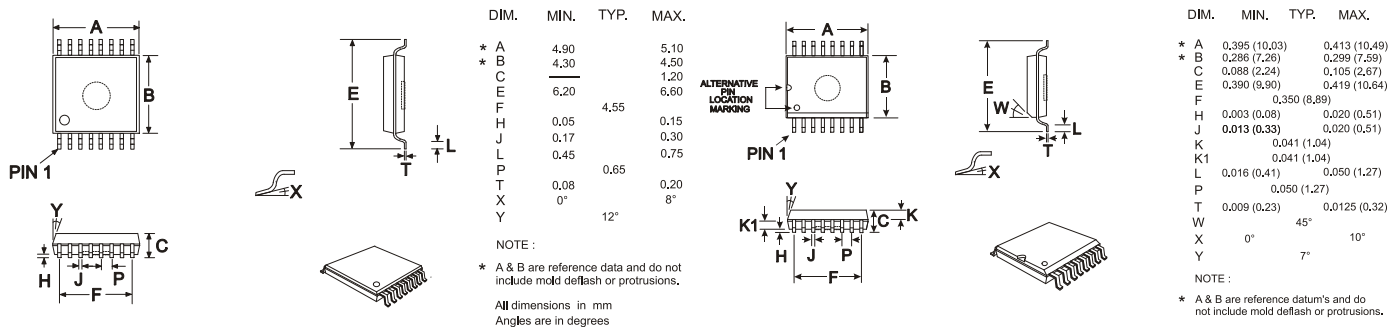
CMX865A - Function Block Diagram



Evaluation Support



CMX865A Packages



16-pin TSSOP (E4) Mechanical Outline
Order as part no. CMX865AE4

16-pin SOIC (D4) Mechanical Outline
Order as part no. CMX865AD4

	CML Microcircuits (UK) Ltd COMMUNICATION SEMICONDUCTORS	CML Microcircuits (USA) Inc. COMMUNICATION SEMICONDUCTORS	CML Microcircuits (Singapore) Pte Ltd COMMUNICATION SEMICONDUCTORS
Phone:	+44 (0) 1621 875500	+1 336 744 5050 800 638 5577	+65 62 888129
Fax:	+44 (0) 1621 875600	+1 336 744 5054	+65 62 888230
Email Sales:	Sales@cmlmicro.com	us.sales@cmlmicro.com	sg.sales@cmlmicro.com
Email Tech Support:	techsupport@cmlmicro.com	us.techsupport@cmlmicro.com	sg.techsupport@cmlmicro.com
www.cmlmicro.com		Search for: cmlmicro	