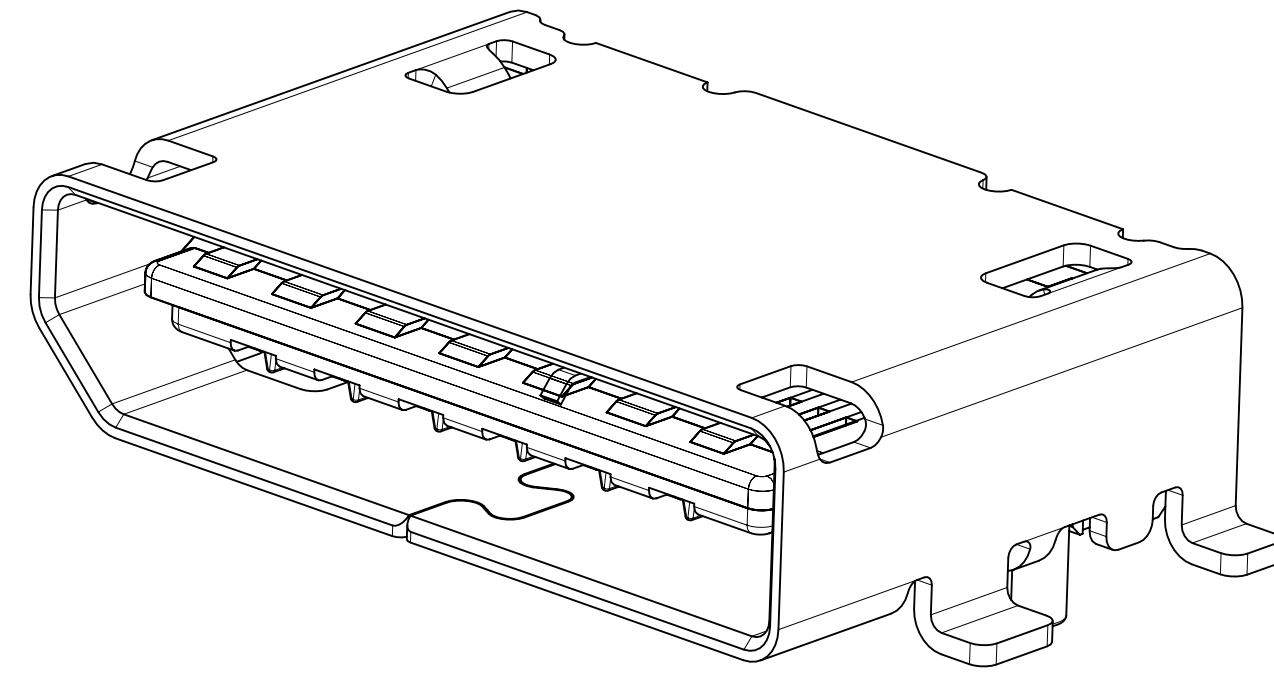
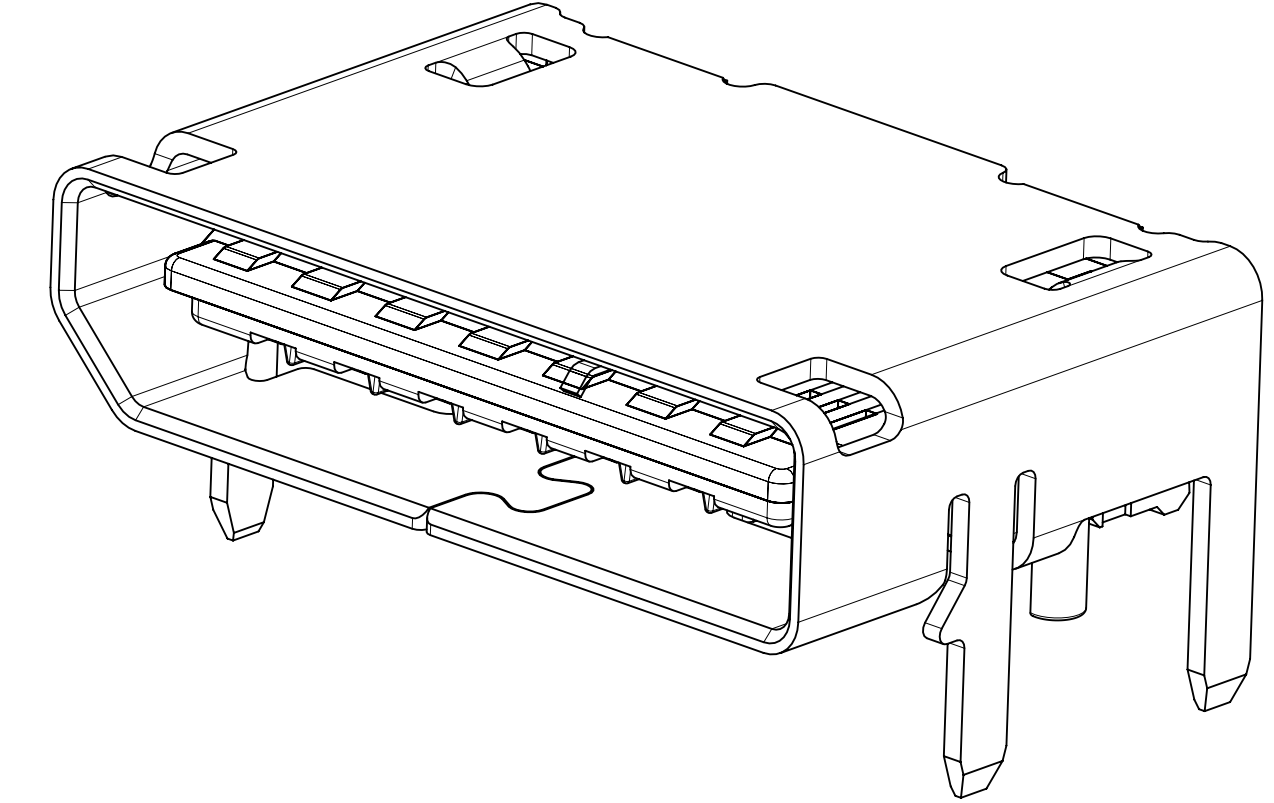


STATUS	MATERIAL NUMBER	SHELL ATTACH OPTION	DIM 'T'
TOOLED	171982-0142	SMT	-
TOOLED	171982-1142	TH	3
TOOLED	171982-2142	TH	2.36
TOOLED	171982-3142	TH	1.57

## 42 CIRCUIT SMT SHELL



## 42 CIRCUIT THRU HOLE SHELL



### NOTES:

- MATERIALS:**  
HOUSING - LCP, GLASS FILLED THERMOPLASTIC, 94V-0  
CONTACTS - HIGH PERFORMANCE COPPER ALLOY  
SHIELD - STAINLESS STEEL
- FINISH:**  
CONTACTS - 0.76µm MIN. GOLD MATING SIDE  
0.05µm GOLD FLASH ON SOLDER TAILS  
1.27µm MIN. NICKEL UNDERPLATE OVERALL  
  
SHIELD - MATTE TIN OVER 1.27µm MIN. NICKEL
- PRODUCT SPECIFICATION:** PS-171982-0001
- PACKAGING SPECIFICATION:** PK-173307-0001
- MATES WITH:** MOLEX CABLE SERIES 100436  
PER INDUSTRY STANDARD PCIe OCuLink OR SFF-8612
- APPLICATION SPECIFICATION:** AS-173162-0001
- COSMETIC SPECIFICATION:** PS-45499-002 CALASS B

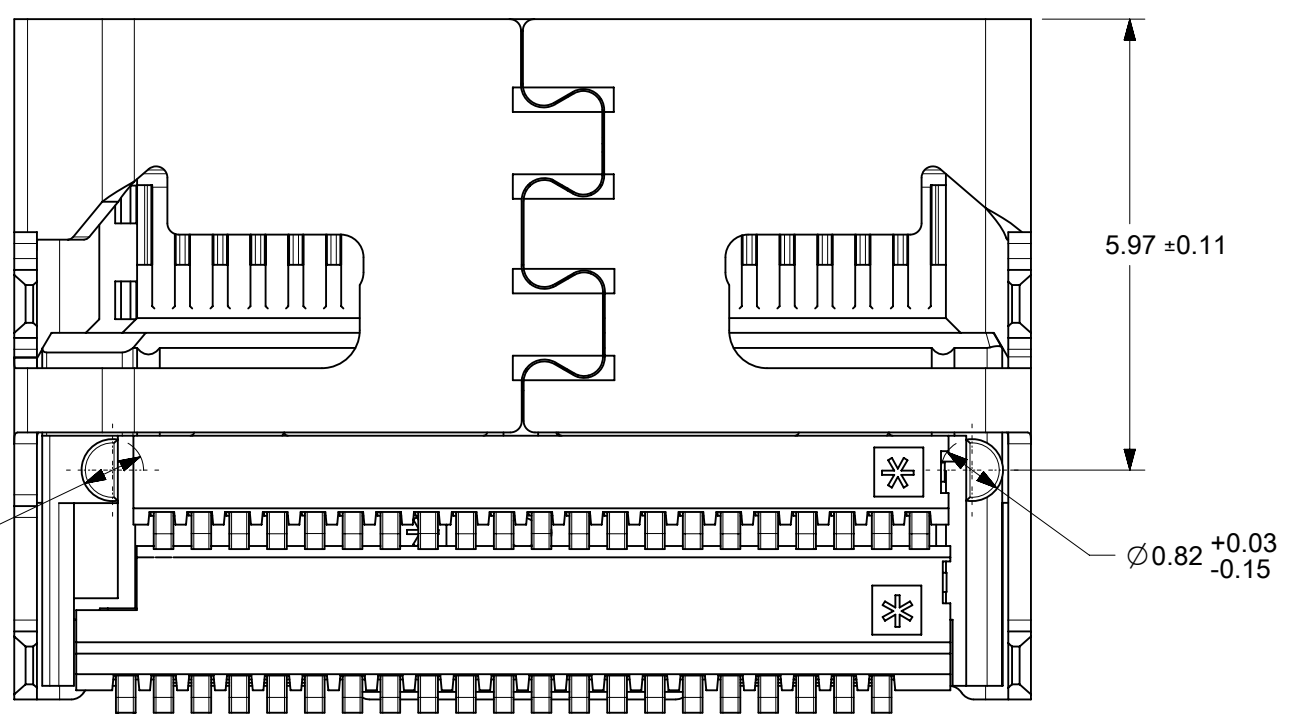
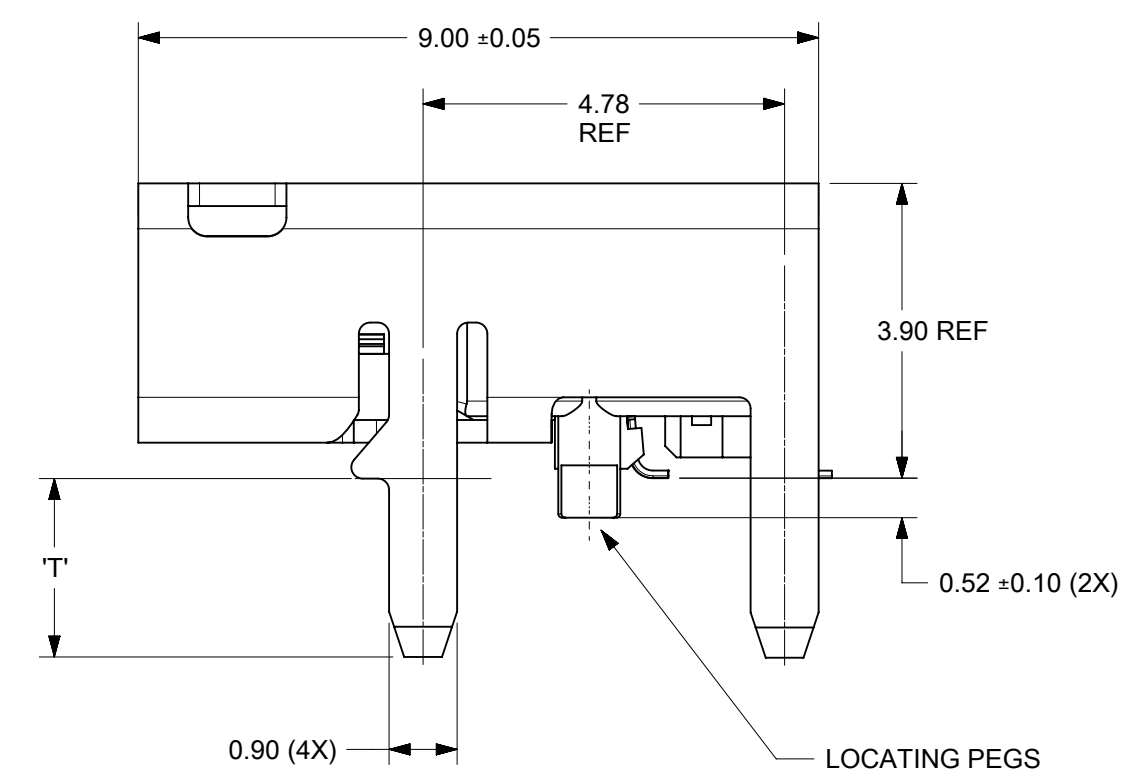
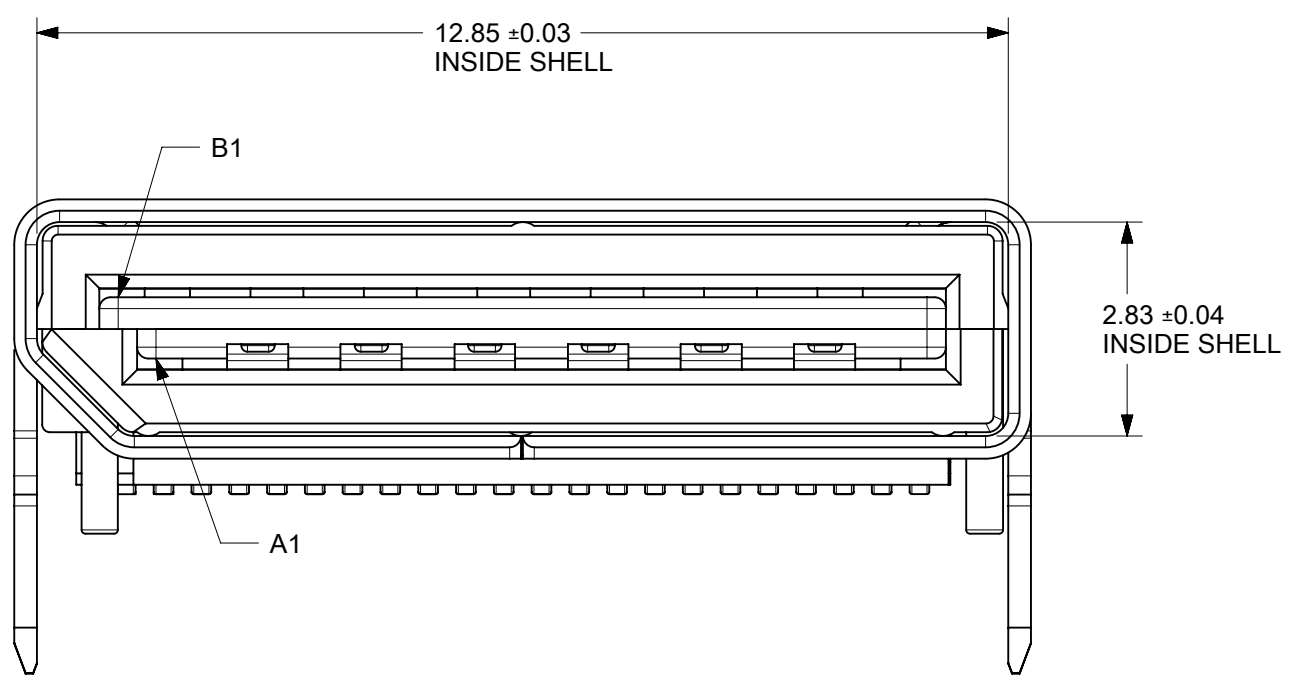
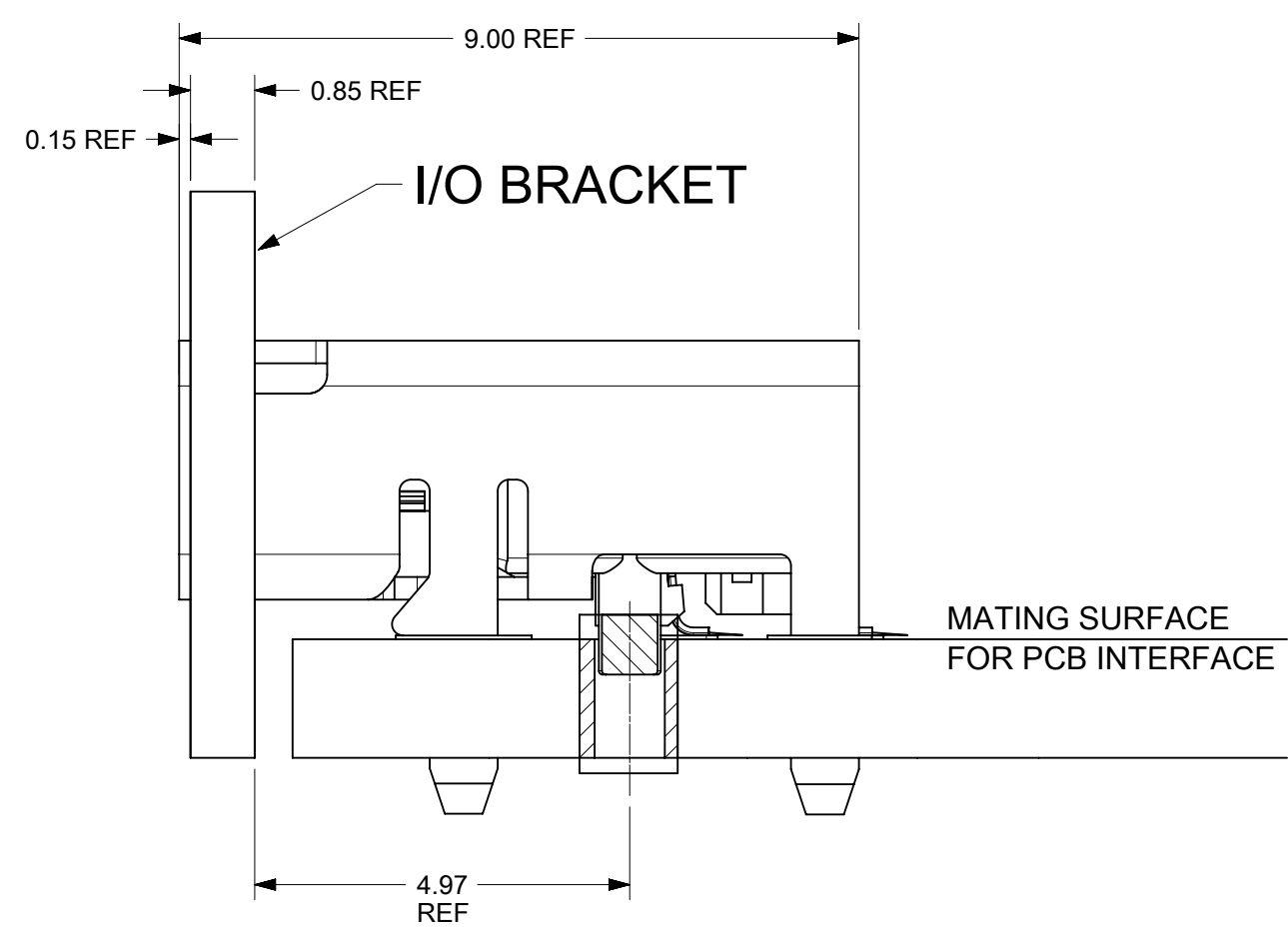
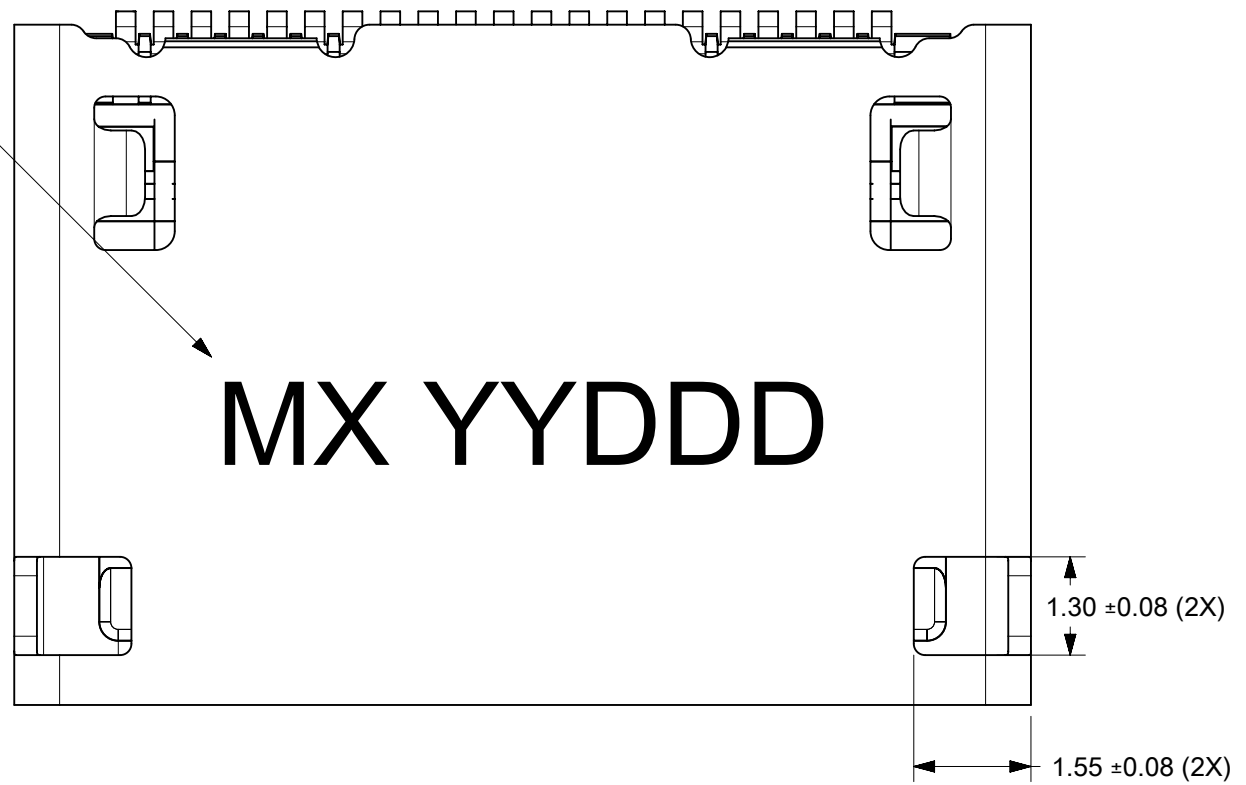
THIS DRAWING CONTAINS INFORMATION THAT IS PROPRIETARY TO MOLEX ELECTRONIC TECHNOLOGIES, LLC AND SHOULD NOT BE USED WITHOUT WRITTEN PERMISSION															
DIMENSION UNITS		SCALE		CURRENT REV DESC:											
mm		10:1													
GENERAL TOLERANCES (UNLESS SPECIFIED)				EC NO: 672997						NANO-PITCH I/O RIGHT ANGLE 4X					
ANGULAR TOL ± 0.5°				DRWN: ABELD2 2021/07/05											
4 PLACES ±				CHK'D: JKACHLIC 2021/08/30						PRODUCT CUSTOMER DRAWING					
3 PLACES ±				APPR: JKACHLIC 2021/08/30											
2 PLACES ± 0.13				INITIAL REVISION:						DOCUMENT NUMBER <b>SD-171982-1000</b>					
1 PLACE ± 0.25				DRWN: MJANTELEZIO 2015/10/21											
0 PLACES ±				APPR: MBANAKIS 2015/11/09						DOC TYPE		DOC PART		REVISION	
DRAFT WHERE APPLICABLE MUST REMAIN WITHIN DIMENSIONS				THIRD ANGLE PROJECTION		DRAWING		SERIES		MATERIAL NUMBER		CUSTOMER		SHEET NUMBER	
						D-SIZE		171982		GENERAL MARKET		1 OF 6			

DOCUMENT STATUS	P1	RELEASE DATE	2021/08/30	09:41:22
-----------------	----	--------------	------------	----------

# 42 CIRCUIT TH ASSEMBLY

## EXTERNAL

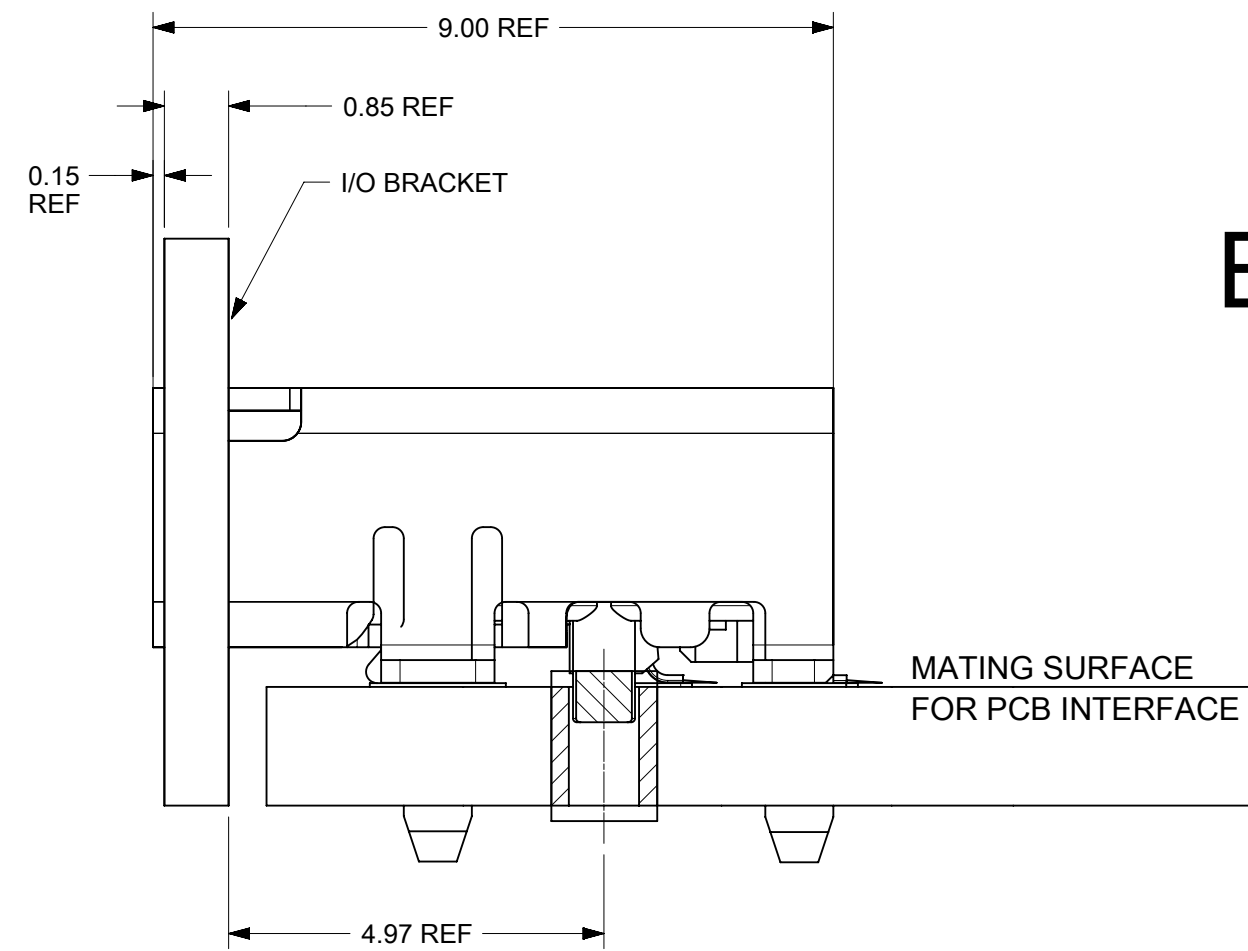
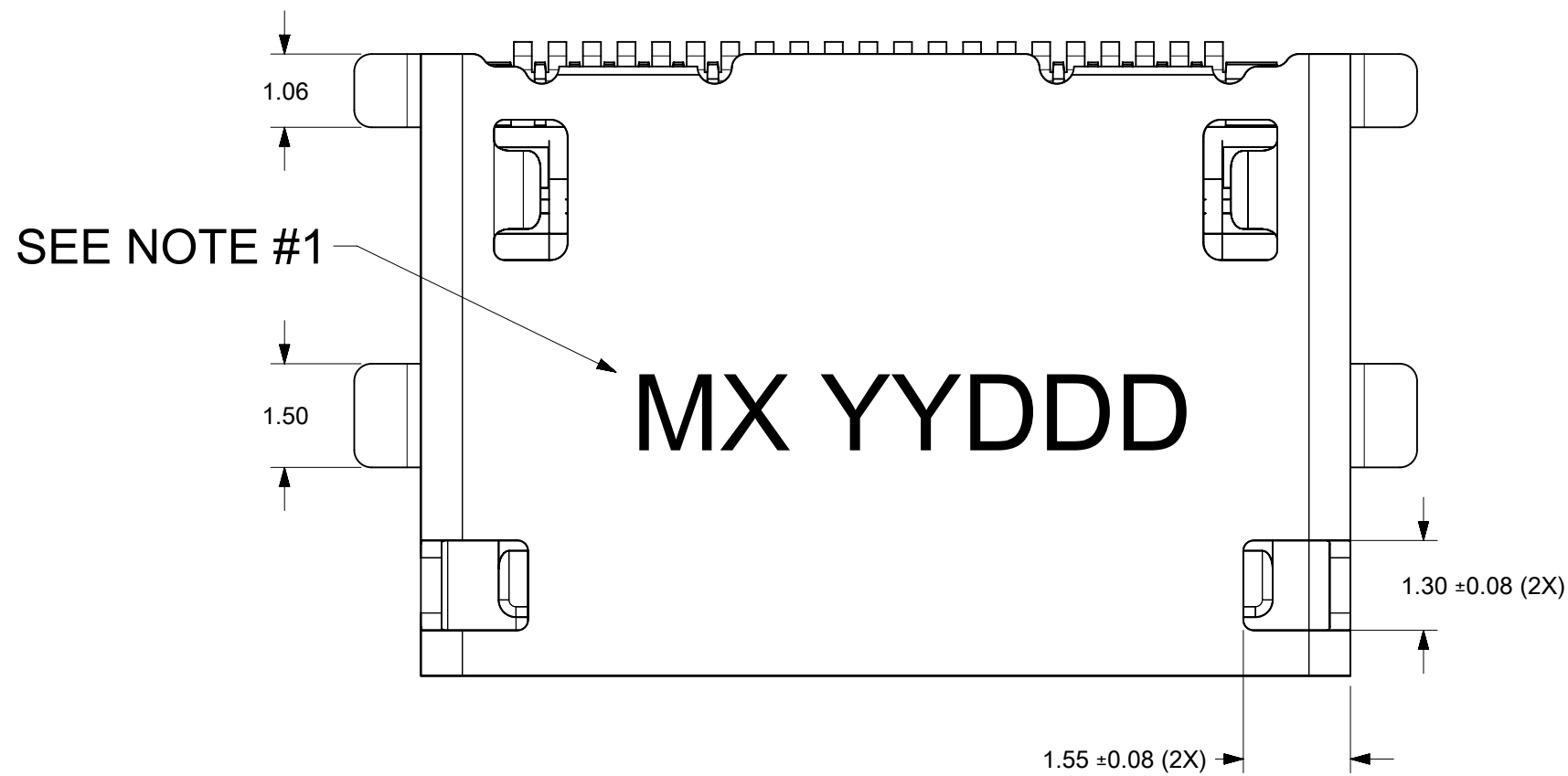
SEE NOTE #1



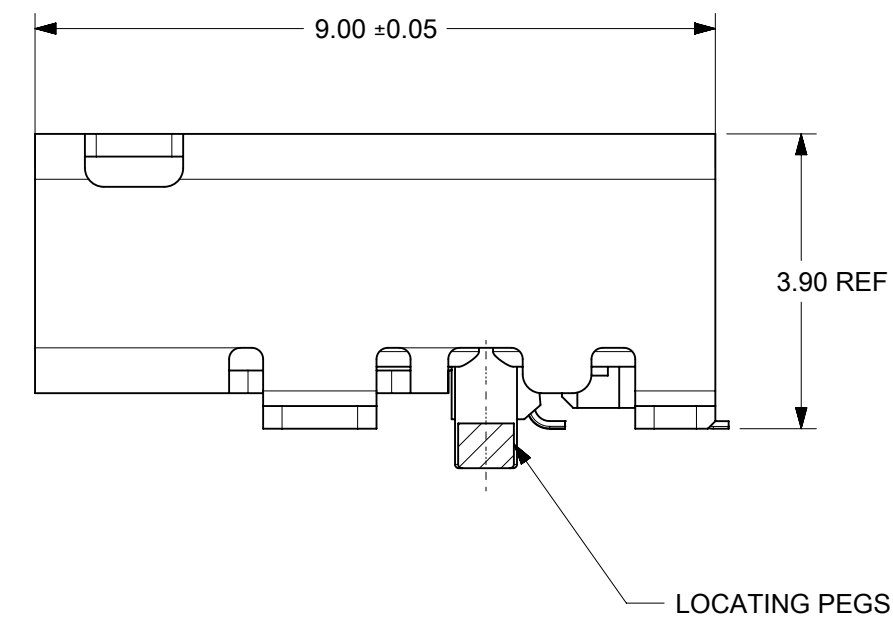
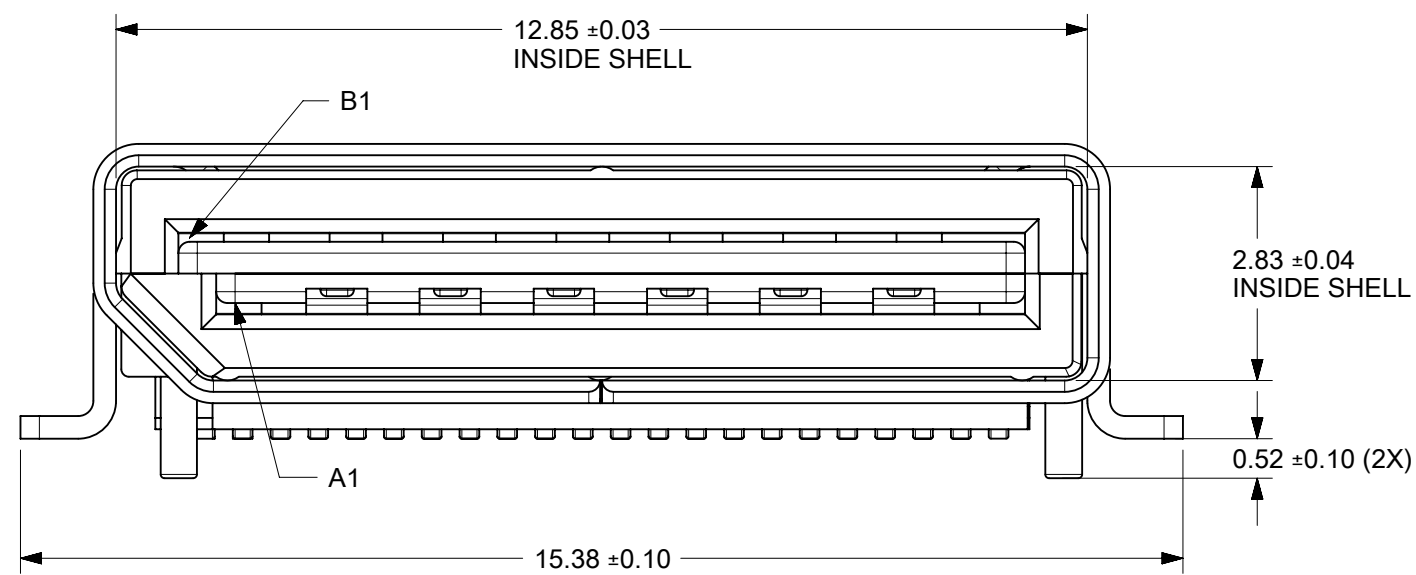
- NOTES:**
- MANUFACTURED DATE CODE (JULIAN CALENDAR)  
MX YYDDD  
    - DAY OF THE YEAR
    - LAST TWO DIGITS OF THE YEAR
    - MOLEX
  - SOLDER TAIL COPLANARITY 0.10 MAX

<b>FUNCTIONAL SYMBOLS</b> FA = 0 EC = 0 EP = 0 #####	THIS DRAWING CONTAINS INFORMATION THAT IS PROPRIETARY TO MOLEX ELECTRONIC TECHNOLOGIES, LLC AND SHOULD NOT BE USED WITHOUT WRITTEN PERMISSION		CURRENT REV DESC:				
	DIMENSION UNITS	SCALE	EC NO: 672997				
	mm	10:1	DRWN: ABELD2 2021/07/05				
	GENERAL TOLERANCES (UNLESS SPECIFIED)		CHK'D: JKACHLIC 2021/08/30				
ANGULAR TOL ± 0.5°		APPR: JKACHLIC 2021/08/30		PRODUCT CUSTOMER DRAWING			
4 PLACES ±		INITIAL REVISION:		DOCUMENT NUMBER	DOC TYPE	DOC PART	REVISION
3 PLACES ±		DRWN: MJANTELEZIO 2015/10/21		SD-171982-1000	PSD	001	J2
2 PLACES ± 0.13		APPR: MBANAKIS 2015/11/09		MATERIAL NUMBER	CUSTOMER	SHEET NUMBER	
1 PLACE ± 0.25		DRAFT WHERE APPLICABLE MUST REMAIN WITHIN DIMENSIONS		C-SIZE	GENERAL MARKET	2 OF 6	
0 PLACES ±		THIRD ANGLE PROJECTION		SERIES			
				171982			

# 42 CIRCUIT SMT ASSEMBLY



**EXTERNAL**



**NOTES:**

1. MANUFACTURED DATE CODE (JULIAN CALENDAR)

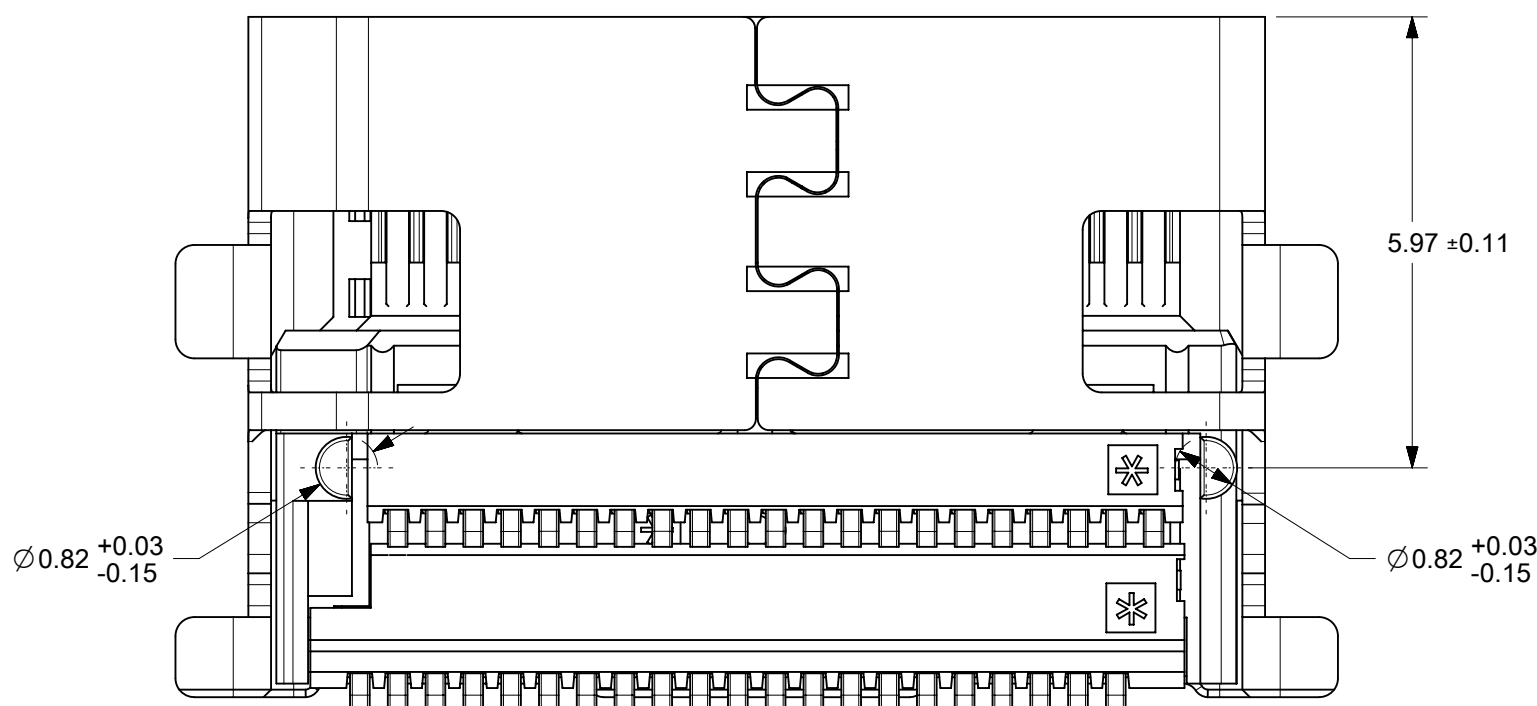
**MX YYDDD**

DAY OF THE YEAR

LAST TWO DIGITS OF THE YEAR

MOLEX

2. SOLDER TAIL COPLANARITY 0.10 MAX



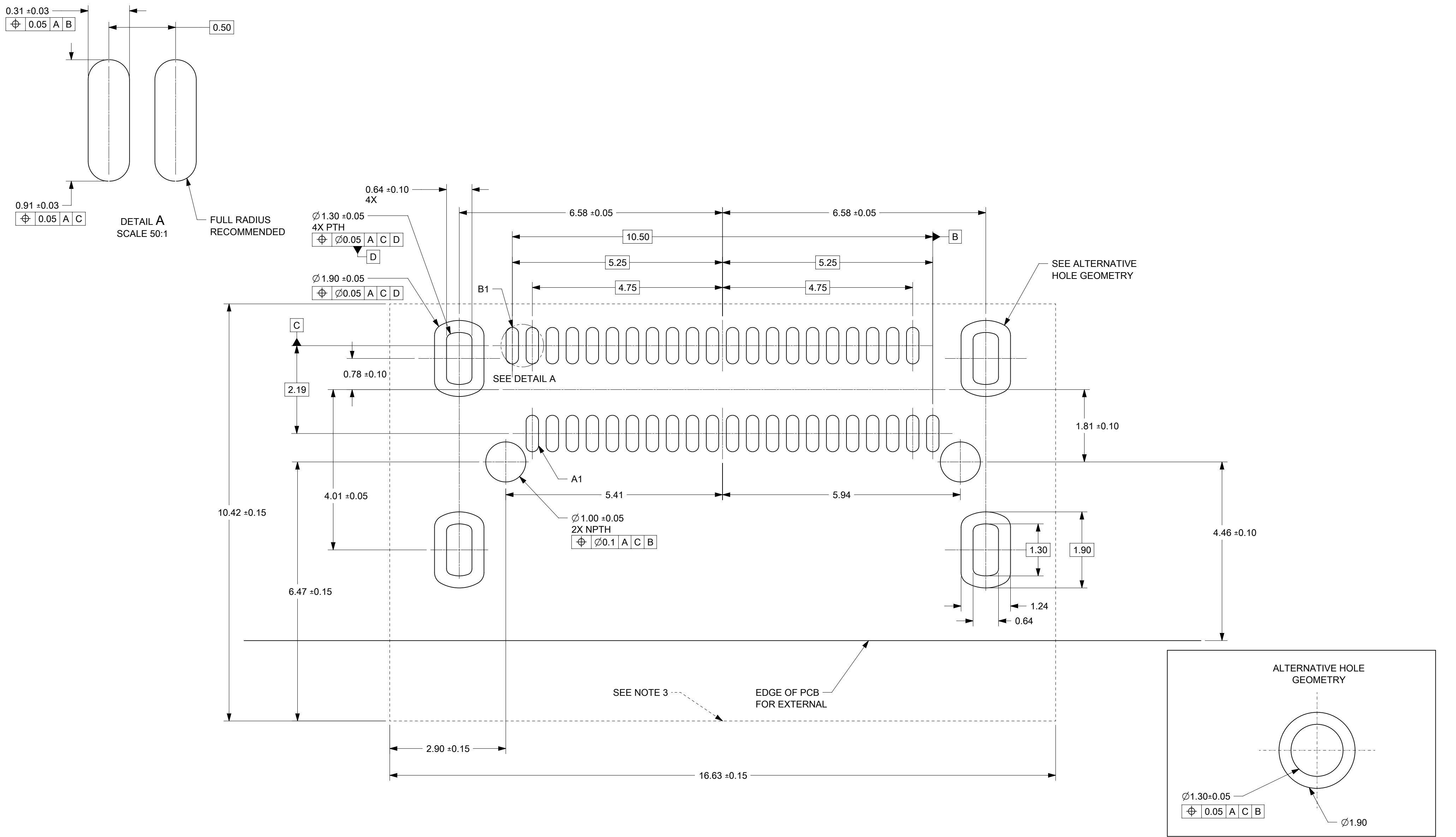
FUNCTIONAL SYMBOLS	THIS DRAWING CONTAINS INFORMATION THAT IS PROPRIETARY TO MOLEX ELECTRONIC TECHNOLOGIES, LLC AND SHOULD NOT BE USED WITHOUT WRITTEN PERMISSION			
	DIMENSION UNITS	SCALE	CURRENT REV DESC:	
$\frac{F}{A} = 0$	mm	10:1	EC NO: 672997	
$\frac{F}{C} = 0$	GENERAL TOLERANCES (UNLESS SPECIFIED)		DRWN: ABELD2 2021/07/05	
$\frac{F}{P} = 0$	ANGULAR TOL ± 0.5°		CHK'D: JKACHLIC 2021/08/30	
#####	4 PLACES	±	APPR: JKACHLIC 2021/08/30	
	3 PLACES	±	INITIAL REVISION:	
	2 PLACES	± 0.13	DRWN: MJANTELEZIO 2015/10/21	
	1 PLACE	± 0.25	APPR: MBANAKIS 2015/11/09	
	0 PLACES	±	THIRD ANGLE PROJECTION	
	DRAFT WHERE APPLICABLE MUST REMAIN WITHIN DIMENSIONS		DRAWING	SERIES
			C-SIZE	171982
DOCUMENT STATUS		P1	RELEASE DATE	2021/08/30 09:41:22
DOCUMENT NUMBER		CUSTOMER		SHEET NUMBER
SD-171982-1000		GENERAL MARKET		3 OF 6
DOC TYPE		DOC PART	REVISION	
PSD		001	J2	

**molex**

NANO-PITCH I/O  
RIGHT ANGLE 4X

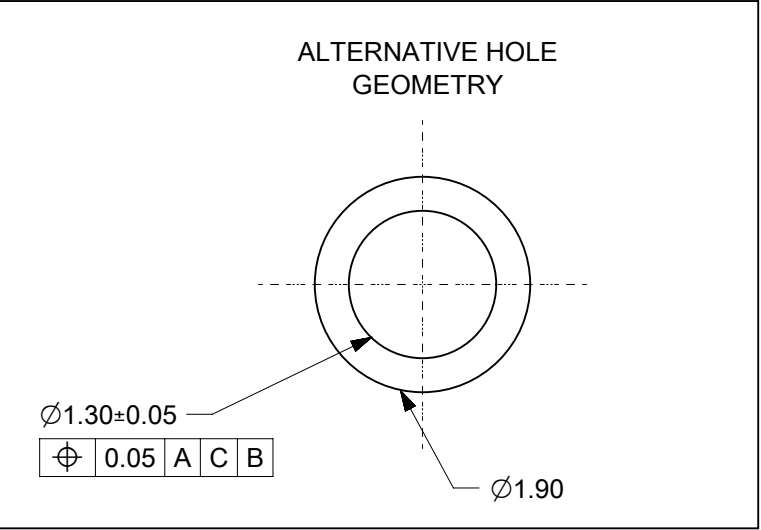
PRODUCT CUSTOMER DRAWING

# 42 CIRCUIT TAIL RECOMMENDED FOOTPRINT



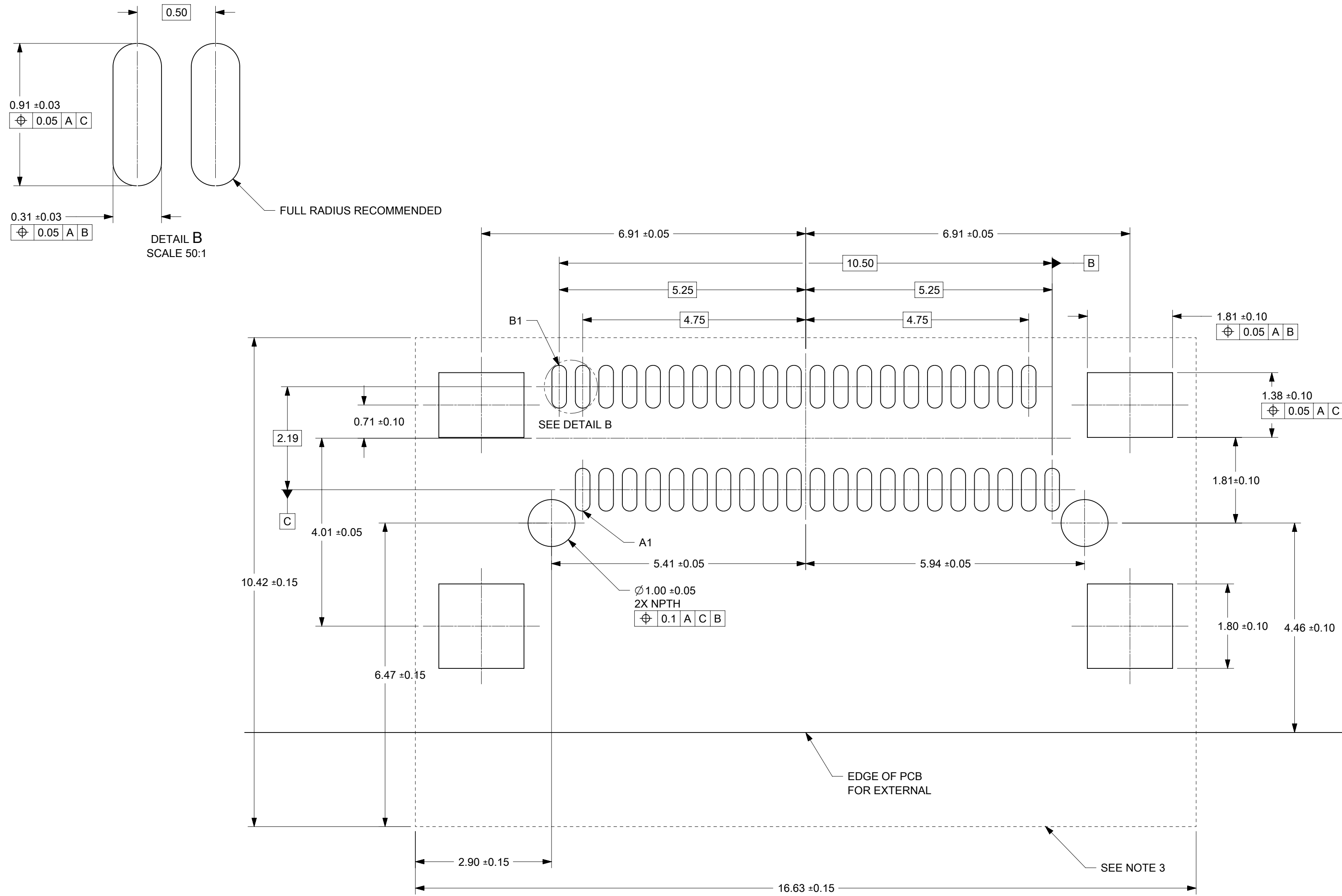
**NOTES:**

1. MINIMUM RECOMMENDED SPACING BETWEEN ADJACENT CONNECTOR IS 19.05mm
2. MINIMUM RECOMMENDED PCB THICKNESS: 1.57mm
3. CONNECTOR KEEP OUT AREA
4. DATUM -A- ESTABLISHED FROM TOP SURFACE OF PCB



<b>FUNCTIONAL SYMBOLS</b> DIMENSION UNITS: mm SCALE: 15:1 GENERAL TOLERANCES (UNLESS SPECIFIED): ANGULAR TOL ± 0.5° 4 PLACES ± 3 PLACES ± 2 PLACES ± 0.13 1 PLACE ± 0.25 0 PLACES ± DRAFT WHERE APPLICABLE MUST REMAIN WITHIN DIMENSIONS	THIS DRAWING CONTAINS INFORMATION THAT IS PROPRIETARY TO MOLEX ELECTRONIC TECHNOLOGIES, LLC AND SHOULD NOT BE USED WITHOUT WRITTEN PERMISSION		CURRENT REV DESC: EC NO: 672997 DRWN: ABELD2 CHK'D: JKACHLIC APPR: JKACHLIC INITIAL REVISION: DRWN: MJANTELEZIO APPR: MBANAKIS		<b>molex</b> NANO-PITCH I/O RIGHT ANGLE 4X PRODUCT CUSTOMER DRAWING	
	2021/07/05 2021/08/30 2021/08/30		DOCUMENT NUMBER: SD-171982-1000 DOC TYPE: PSD DOC PART: 001 REVISION: J2		MATERIAL NUMBER: GENERAL MARKET CUSTOMER: GENERAL MARKET SHEET NUMBER: 4 OF 6	
	2015/10/21 2015/11/09		DRAWING: C-SIZE SERIES: 171982		2021/07/05 2021/08/30 2021/08/30	
	THIRD ANGLE PROJECTION		DRAWING: C-SIZE SERIES: 171982		2021/07/05 2021/08/30 2021/08/30	

# 42 CIRCUIT SMT RECOMMENDED FOOTPRINT



**NOTES:**

1. MINIMUM RECOMMENDED SPACING BETWEEN ADJACENT CONNECTOR IS 19.05mm
2. MINIMUM RECOMMENDED PCB THICKNESS: 1.57mm
3. CONNECTOR KEEP OUT AREA
4. DATUM -A- ESTABLISHED FROM TOP SURFACE OF PCB

<b>FUNCTIONAL SYMBOLS</b> $\frac{F}{A} = 0$ $\frac{F}{C} = 0$ $\frac{F}{P} = 0$ #####	THIS DRAWING CONTAINS INFORMATION THAT IS PROPRIETARY TO MOLEX ELECTRONIC TECHNOLOGIES, LLC AND SHOULD NOT BE USED WITHOUT WRITTEN PERMISSION		CURRENT REV DESC:	
	DIMENSION UNITS: <b>mm</b>	SCALE: <b>15:1</b>	EC NO: 672997 DRWN: ABELD2 CHK'D: JKACHLIC APPR: JKACHLIC	
	GENERAL TOLERANCES (UNLESS SPECIFIED)		2021/07/05 2021/08/30 2021/08/30	
	ANGULAR TOL ± 0.5°		INITIAL REVISION: DRWN: MJANTELEZIO APPR: MBANAKIS	
4 PLACES ±		2015/10/21 2015/11/09		DOCUMENT NUMBER: <b>SD-171982-1000</b>
3 PLACES ±		2 PLACES ± 0.13		DOC TYPE: PSD DOC PART: 001 REVISION: J2
2 PLACES ±		1 PLACE ± 0.25		MATERIAL NUMBER: GENERAL MARKET
0 PLACES ±		DRAFT WHERE APPLICABLE MUST REMAIN WITHIN DIMENSIONS		SHEET NUMBER: 5 OF 6
THIRD ANGLE PROJECTION		DRAWING: C-SIZE	SERIES: 171982	CUSTOMER: GENERAL MARKET

**molex**

NANO-PITCH I/O  
RIGHT ANGLE 4X

PRODUCT CUSTOMER DRAWING

