

Würth Elektronik eiSos GmbH &amp; Co. KG

EMC &amp; Inductive Solutions

Max-Eyth-Straße 1 · 74638 Waldenburg · Germany

Tel. +49 (0) 79 42 945-0 · Fax +49 (0) 79 42 945-400

eiSos@we-online.de · www.we-online.de



## Product / Process Change Notification (PCN)

- Major change  
 Minor change

**PCN #:** PCN\_IndFC\_20180612

**Affected Series:** WE-FC UT20 series

**PCN Date:** March 12, 2018

**Effective Date:** June 12, 2018

### Change Category:

- Equipment / Location  
 General Data  
 Material  
 Process  
 Product Design  
 Shipping / Packaging  
 Supplier

**Contact:** Product Management

**Phone:** +49 (0) 7942 - 945 5001

**Fax:** +49 (0) 7942 - 945 5179

**E-Mail:** pcn.eisos@we-online.com

### Data Sheet Change:

- Yes  No

### Attachment:

- Yes  No

### DESCRIPTION AND PURPOSE OF CHANGE:

In order to enhance the product capability and reliability, Würth Elektronik will implement an additional production line. In this context we use the opportunity to optimize the marking, packaging and gluing process of the part.

From 2018-06-12 only products with the new marking, packaging and gluing process will be delivered. The additional production line can be identified by the first three digits of the Lot number: **XXX** XX XXX XXXX XXX

Already established production line:

Digits: 223

Country: China

Additional production line:

Digits: 401

Country: China

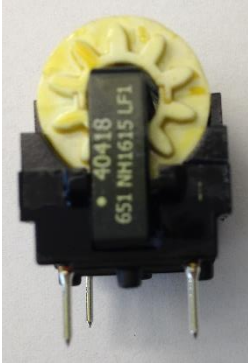
### Affected part numbers:

7448640406      7448640413  
7448640407      7448640414  
7448640408      7448640415  
7448640409      7448640416  
7448640410      7448640417  
7448640411      7448640418  
7448640412

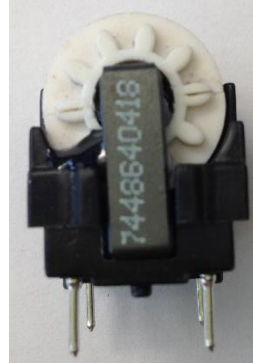
**DETAIL OF CHANGE:**

The previous marking will be changed to only the full part number.

**BEFORE CHANGE**

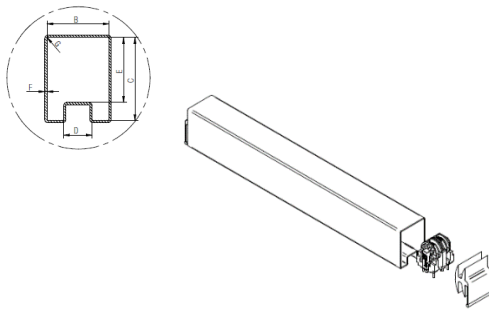


**AFTER CHANGE**

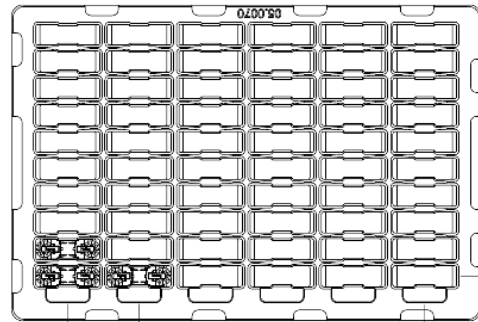


Additionally the packaging will be changed from a tube to a white plastic tray.

**BEFORE CHANGE**



**AFTER CHANGE**



	Tube	Carton	Tray	Carton
<b>Packaging unit before change</b>	29 pcs	348 pcs		
<b>Packaging unit after change</b>			120 pcs	840 pcs

The mounting process between core, base and bobbin will be changed from varnish to gluing to improve the reliability. The plastic base material has been changed from T375J to PM9820 to ensure the reliability of the product with the new mounting process.

**RELIABILITY / QUALIFICATION SUMMARY:**

- High Temperature Exposure / Mil-STD-202 Method 108
- Vibration / MIL-STD-202 Method 204
- Three Times Wave / EN61760-1:2006
- Thermal Shock / MIL-STD-202 Method 107
- Over Load Test / internal spec.
- Withstanding Voltage Test / internal spec.