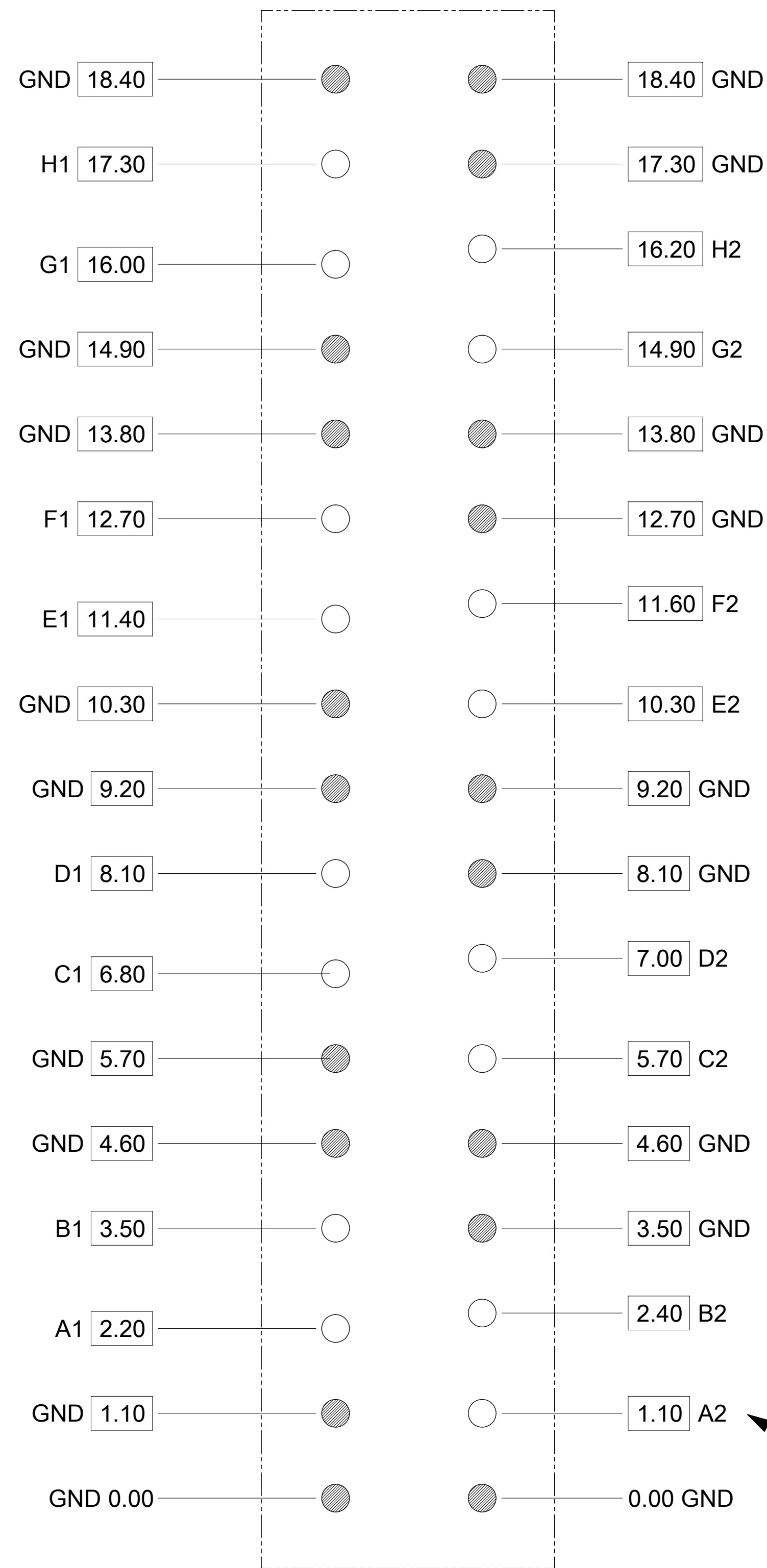


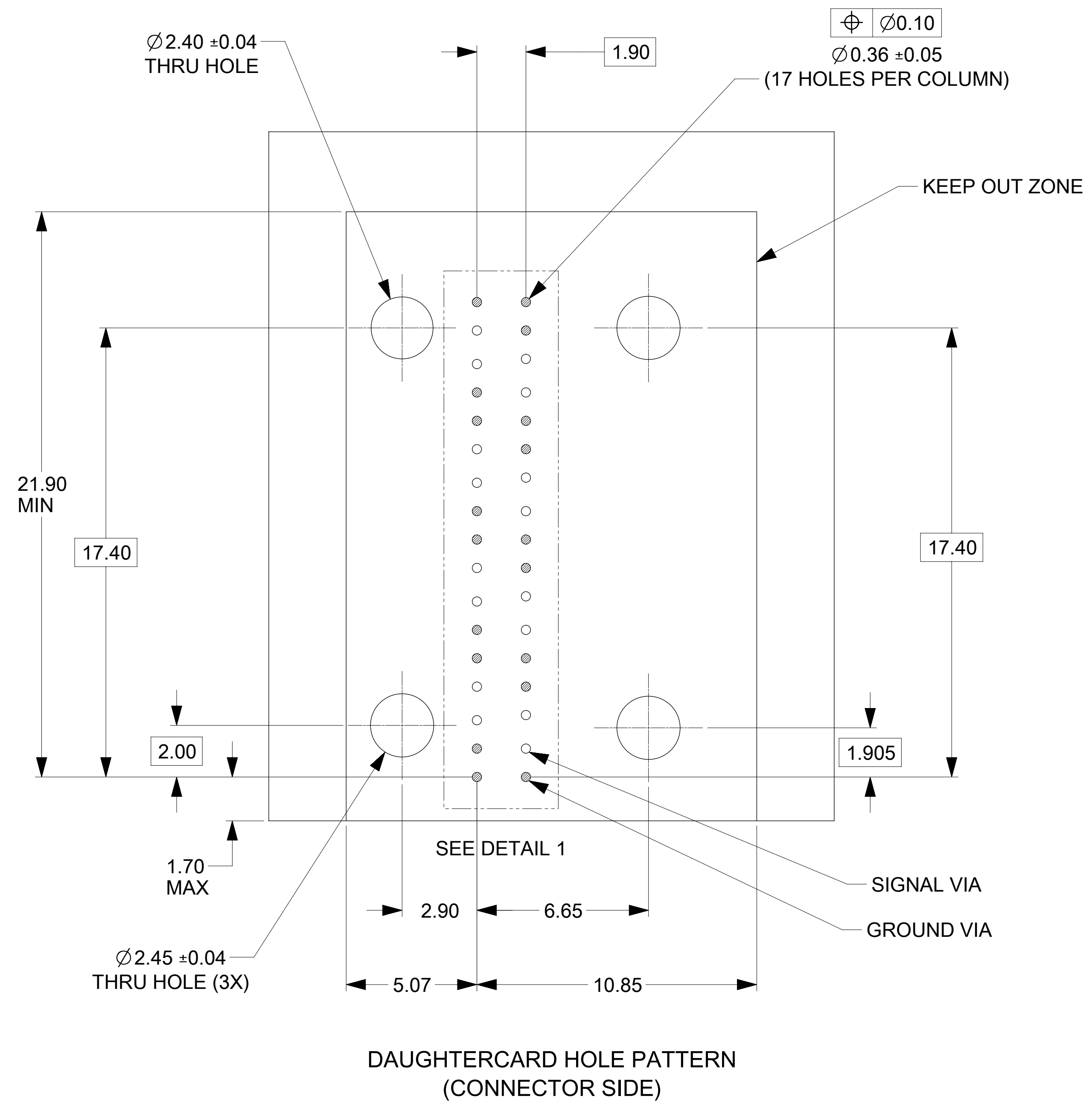
- NOTES:
1. MATERIALS: HOUSING - LIQUID CRYSTAL POLYMER (LCP)
GLASS-FILLED, UL94V-0
TERMINALS - HIGH PERFORMANCE COPPER ALLOY
 2. FINISH: 30uIN GOLD IN CONTACT AREA.
SELECTIVE TIN ON PCB TAILS.
NICKEL OVERALL.
 3. REFER TO MOLEX PRODUCT SPECIFICATION PS-171320-999 FOR PERFORMANCE SPECIFICATIONS.
 4. THIS PART CONFORMS TO CLASS B REQUIREMENTS OF MOLEX COSMETIC SPEC PS-45499-002.
 5. PRODUCT WILL BE PACKAGED PER PK-78888-085.
 6. SEE SHEET 2 FOR HOLE PATTERN DIMENSIONS.
 7. MATES WITH IMPEL CABLE PART NUMBER 203387-9001.
 8. REFER TO IMPEL PCB ROUTING GUIDE AS-171320-990 FOR ANTIPAD, ROUTING RECOMMENDATIONS, AND ADDITIONAL PCB INFORMATION.
 9. WHEN USING THE SUPPLIED 2-32 THREAD FORMING SCREW (P/N 73726-0015), THE MAXIMUM RECOMMENDED BOARD THICKNESS IS 3.0MM. THE MINIMUM RECOMMENDED BOARD THICKNESS IS 1.6MM.

THIS DRAWING CONTAINS INFORMATION THAT IS PROPRIETARY TO MOLEX ELECTRONIC TECHNOLOGIES, LLC AND SHOULD NOT BE USED WITHOUT WRITTEN PERMISSION												
DIMENSION UNITS		SCALE		CURRENT REV DESC: UPDATE NOTE #7						molex		
mm		NTS										
GENERAL TOLERANCES (UNLESS SPECIFIED)				EC NO: 703626		2022/04/14		IMPEL CUSTOM 4P X 2C DC 1.9MM PITCH WITH GUIDE				
ANGULAR TOL ± 0.5°				DRWN: DYARAS		2022/04/19						
4 PLACES ±				CHK'D: JLTAN06		2022/04/20		PRODUCT CUSTOMER DRAWING				
3 PLACES ±				APPR: DWLEE01								
2 PLACES ± 0.13				INITIAL REVISION:				DOCUMENT NUMBER		DOC TYPE	DOC PART	REVISION
1 PLACE ± 0.25				DRWN: CYLIAW		2018/06/19		1713209001		PSD	000	A2
0 PLACES ±				APPR: DWLEE01		2018/07/12		MATERIAL NUMBER		CUSTOMER		SHEET NUMBER
DRAFT WHERE APPLICABLE MUST REMAIN WITHIN DIMENSIONS				THIRD ANGLE PROJECTION		DRAWING		SERIES		GENERAL MARKET		1 OF 3
				D-SIZE		171320		1713209032				



DETAIL 1
SCALE 20:1

ACTUAL PIN NUMBERS
DEPENDENT UPON
CONNECTOR COLUMN SIZE





DAUGHTERCARD HOLE PATTERN
(CONNECTOR SIDE)

THIS DRAWING CONTAINS INFORMATION THAT IS PROPRIETARY TO MOLEX ELECTRONIC TECHNOLOGIES, LLC AND SHOULD NOT BE USED WITHOUT WRITTEN PERMISSION												
DIMENSION UNITS		SCALE		CURRENT REV DESC: UPDATE NOTE #7						molex		
mm		NTS										
GENERAL TOLERANCES (UNLESS SPECIFIED)				EC NO: 703626		2022/04/14		IMPEL CUSTOM 4P X 2C DC 1.9MM PITCH WITH GUIDE				
ANGULAR TOL ± 0.5°				DRWN: DYARAS		2022/04/19		PRODUCT CUSTOMER DRAWING				
4 PLACES ±				CHK'D: JLTAN06		2022/04/20		DOCUMENT NUMBER				
3 PLACES ±				APPR: DWLEE01		2022/04/20		1713209001		DOC TYPE	DOC PART	REVISION
2 PLACES ± 0.13				INITIAL REVISION:		2018/07/12		PSD	000	A2		
1 PLACE ± 0.25				DRWN: CYLIAW		2018/06/19		MATERIAL NUMBER	CUSTOMER		SHEET NUMBER	
0 PLACES ±				APPR: DWLEE01		2018/07/12		1713209032	GENERAL MARKET		2 OF 3	
DRAFT WHERE APPLICABLE MUST REMAIN WITHIN DIMENSIONS				THIRD ANGLE PROJECTION		DRAWING		SERIES		SHEET NUMBER		
				D-SIZE		171320						

PINOUT INDICATION (UPDATED ON 1ST OCTOBER 2017)

IMPEL PIN NUMBER	SIGNAL NAME	NOTES
A1	--	PAIR IS PRESENT IN CABLE ASSEMBLY, BUT CURRENTLY UNUSED
B1	--	
C1	PHY_RX_P	SGMII, INTO SERVER
D1	PHY_RX_N	
E1	SFP_RX_DN2	PORT 2, OUT OF SERVER
F1	SFP_RX_DP2	
G1	SFP_TX_DN2	PORT 2, INTO SERVER
H1	SFP_TX_DP2	
A2	--	PAIR IS PRESENT IN CABLE ASSEMBLY, BUT CURRENTLY UNUSED
B2	--	
C2	PHY_TX_P	SGMII, OUT OF SERVER
D2	PHY_TX_N	
E2	SFP_RX_DN1	PORT1, OUT OF SERVER
F2	SFP_RX_DP1	
G2	SFP_TX_DN1	PORT 1, INTO SERVER
H2	SFP_TX_DP1	

THIS DRAWING CONTAINS INFORMATION THAT IS PROPRIETARY TO MOLEX ELECTRONIC TECHNOLOGIES, LLC AND SHOULD NOT BE USED WITHOUT WRITTEN PERMISSION										
DIMENSION UNITS	SCALE	CURRENT REV DESC: UPDATE NOTE #7								
mm	NTS									
GENERAL TOLERANCES (UNLESS SPECIFIED)		EC NO: 703626 DRWN: DYARAS 2022/04/14 CHK'D: JLTAN06 2022/04/19 APPR: DWLEE01 2022/04/20 INITIAL REVISION: DRWN: CYLIAW 2018/06/19 APPR: DWLEE01 2018/07/12			IMPEL CUSTOM 4P X 2C DC 1.9MM PITCH WITH GUIDE					
ANGULAR TOL ± 0.5°					PRODUCT CUSTOMER DRAWING					
4 PLACES ±					DOCUMENT NUMBER			DOC TYPE	DOC PART	REVISION
3 PLACES ±					1713209001			PSD	000	A2
2 PLACES ± 0.13					MATERIAL NUMBER			CUSTOMER		SHEET NUMBER
1 PLACE ± 0.25					1713209032			GENERAL MARKET		3 OF 3
0 PLACES ±		DRAFT WHERE APPLICABLE MUST REMAIN WITHIN DIMENSIONS			THIRD ANGLE PROJECTION	DRAWING	SERIES			
						A1-SIZE	171320			

DOCUMENT STATUS	P1	RELEASE DATE	2022/04/20 02:24:02
-----------------	----	--------------	---------------------