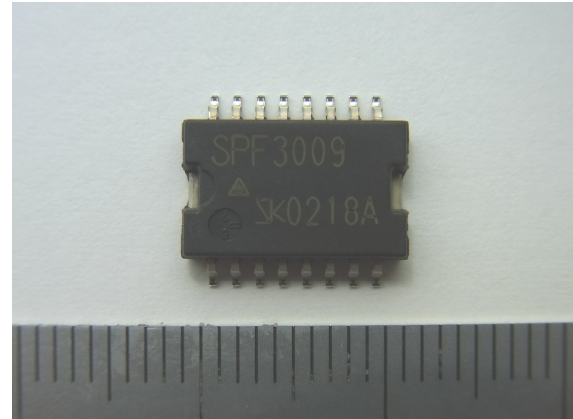


Surface mount type Dual output system series regulator SPF3009

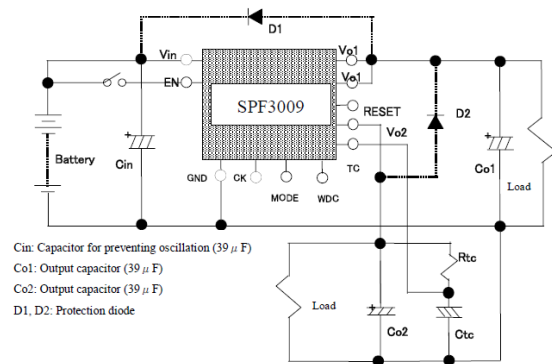
SPF3009 is dual output series regulator mounting the functions needed for automotive ECU. It incorporates dual output (5V/0.4A, 3.3V/0.2A) power elements and has watch dog function, enable function and power ON Reset control function. Also OCP and TSD are incorporated.

Features

- 1 . Composed of single input and dual output
(Ch1: 5V/0.4A, Ch2: 3.3V/0.2A)
Guaranteed $\pm 2\%$ accuracy of Ch1 output voltage
- 2 . Built-in Power ON Reset function possible to set power on reset time by external element (Resistor: Rtc/ Capacitor: Ctc)
- 3 . Built-in watch dog function
- 4 . Enable function of low consumption current at OFF
- 5 . Built-in drooping type OCP
- 6 . Built-in TSD circuit (only Ch1)



Appearance



Typical connection diagram

Absolute maximum ratings

(Ta=25)

Characteristics	Symbol	Ratings	Unit	Remarks
DC Input Voltage	Vin	-13 ~ 35	V	Reverse connection
		40		1min (MAX)
Output Control Pin Voltage	EN	-0.3 ~ 35	V	
		40		1<400mS
Output Current	CH1	Io1	A	
	CH2	Io2	A	
Junction Temperature	Tj	-40 ~ 150		
Storage Temperature	Tstg	-40 ~ 150		
Thermal Resistance (Junction to Case)	j-c	4.1	/W	With infinite heat sink
Thermal Resistance (Junction to Ambient)	j-a	38	/W	*1

*1 Mount with glass epoxy resin + Cu board (size 5.0 \times 7.4cm, t: glass epoxy=1.6mm, Cu=18 μ m)

Electrical characteristics (Unless otherwise specified: Tj=-30~125 , VIN=14V, Io1=0A, Io2=0A, EN=5V)

Characteristics	Symbol	Ratings			Unit	Test condition	
		MIN	TYP	MAX			
Input Voltage	Vin	Vo1+Vdif1		35	V		
Output Control Voltage	CH1	Vo1	4.90	5.00	5.10	V	Vin=Vo1+Vdif1~18V Io1=0~0.4A, Tj=-30~125
	CH1	Vo1	4.85	5.00	5.15		Vin=Vo1+Vdif1~18V Io1=0~0.4A, Tj=-40~150
	CH2	Vo2	3.15	3.30	3.45		Vin=Vo2+Vdif1+Vdif2~18V, Io1=0~0.2A
Dropout Voltage	CH1	Vdif11			0.5	V	Io1=0.4A
	CH2	Vdif2			0.5		Io2=0.2A
Quiescent Current	Iq			10	50	μA	Vin=16V, EN=0V
				50	250		Vin=35V, EN=0V
				5	10	mA	
GND Current	IGND		70	100	mA	Io1=Io2=0.2A	
Overcurrent Protection Starting Current	CH1	Is11	0.402		1.80	A	Vo1=4.5V
	CH2	Is21	0.201		0.90		Vo2=2.8V
EN Output Control Voltage	VENth		1.0		3.5	V	Tj=-40~125
			0.9		3.5		Tj=-40~150
EN Output Control Current	ON	IENH1			70	μA	EN=6.4V, Tj=-40~125
		IENH2			40		EN=3.51V, Tj=-40~125
	OFF	IENL	-1.0		1.0		EN=0V, Tj=-40~125
RESET Threshold Voltage	CH1	Vo1thH			Vo1 × 0.97	V	Vrs, Vfail>4.5V
		Vo1thL	4.50			V	Vrs, Vfail<0.8V
	CH2	Vo2thH			Vo2 × 0.985	V	Vrs>3.0V
		Vo2thL	3.00			V	Vrs<0.8V
Power ON Reset Delay Time	tdly	$0.76 \times R_{tc} \times C_{tc}$	$0.79 \times R_{tc} \times C_{tc}$	$0.82 \times R_{tc} \times C_{tc}$	S	Minimum delay time: 6mS	
W/D Pulse	twd	$0.53 \times R_{tc} \times C_{tc}$	$0.56 \times R_{tc} \times C_{tc}$	$0.59 \times R_{tc} \times C_{tc}$	S	Minimum W/D time: 4mS	
W/D Pulse Time	twdp	$0.05 \times R_{tc} \times C_{tc}$	$0.07 \times R_{tc} \times C_{tc}$	$0.09 \times R_{tc} \times C_{tc}$	S	Minimum W/D pulse time: 400μS	