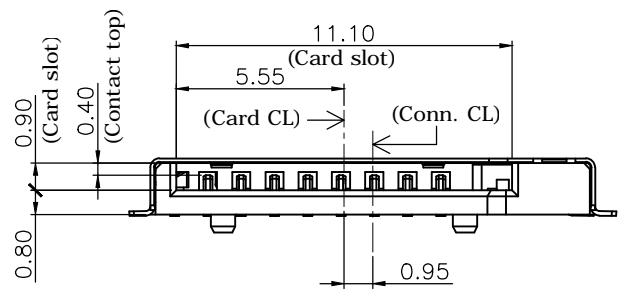
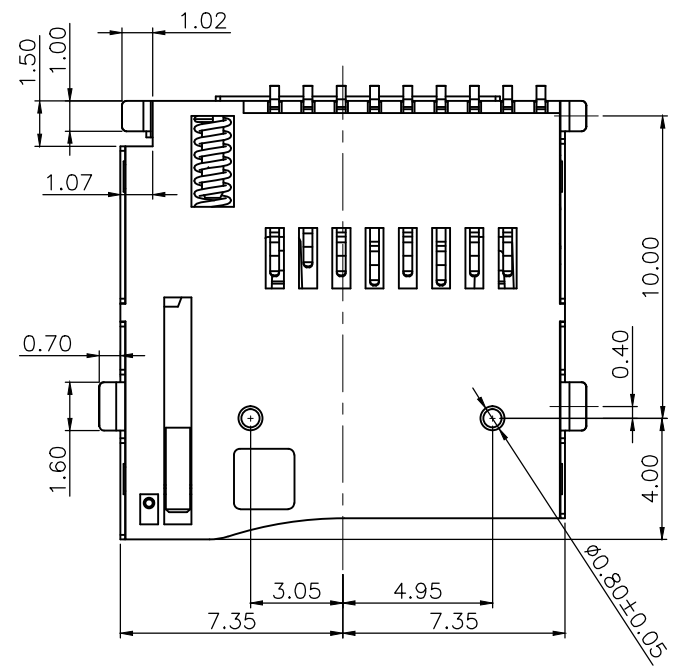
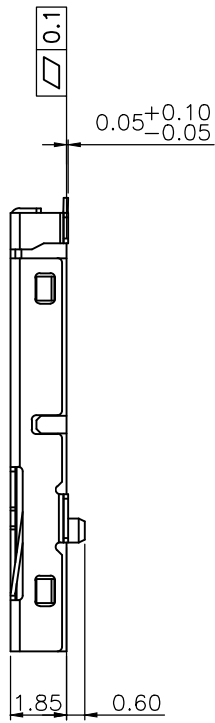
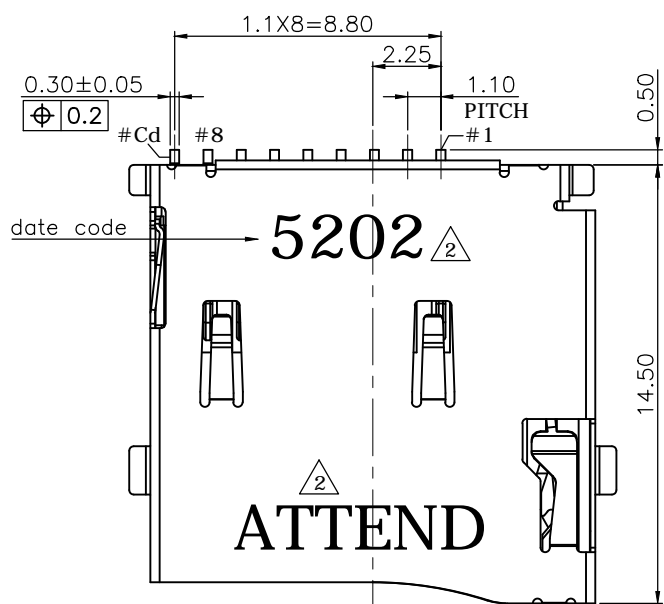


REV.	DESCRIPTION	DRAWN	DATE
1	INITIAL RELEASE	FROS	2013/10/31
2	Moved Logo, Add date code	FROS	2014/01/09
3	Revised dimension, frame & layout	FROS	2015/05/11



DATE CODE:  
 5 2 0 2  
 ↑ ↑ ↑ ↑ DAY (1~7)  
 WEEK (1~52)  
 YEAR (2015)

6	Spring	Piano wire
5	Drag Link	SUS304
4	Shell	SUS304R-3/4H, Gold Flash on Solder Area under 12u" Nickel
3	Contact	C5210R-EH, Contact Area 10u" Gold Solder Area Gold Flash, under 50u" Nickel
2	Slider	LCP+ 35%GF, Black
1	Housing	LCP+ 35%GF, Black
NO.	PART NAME	DESCRIPTION

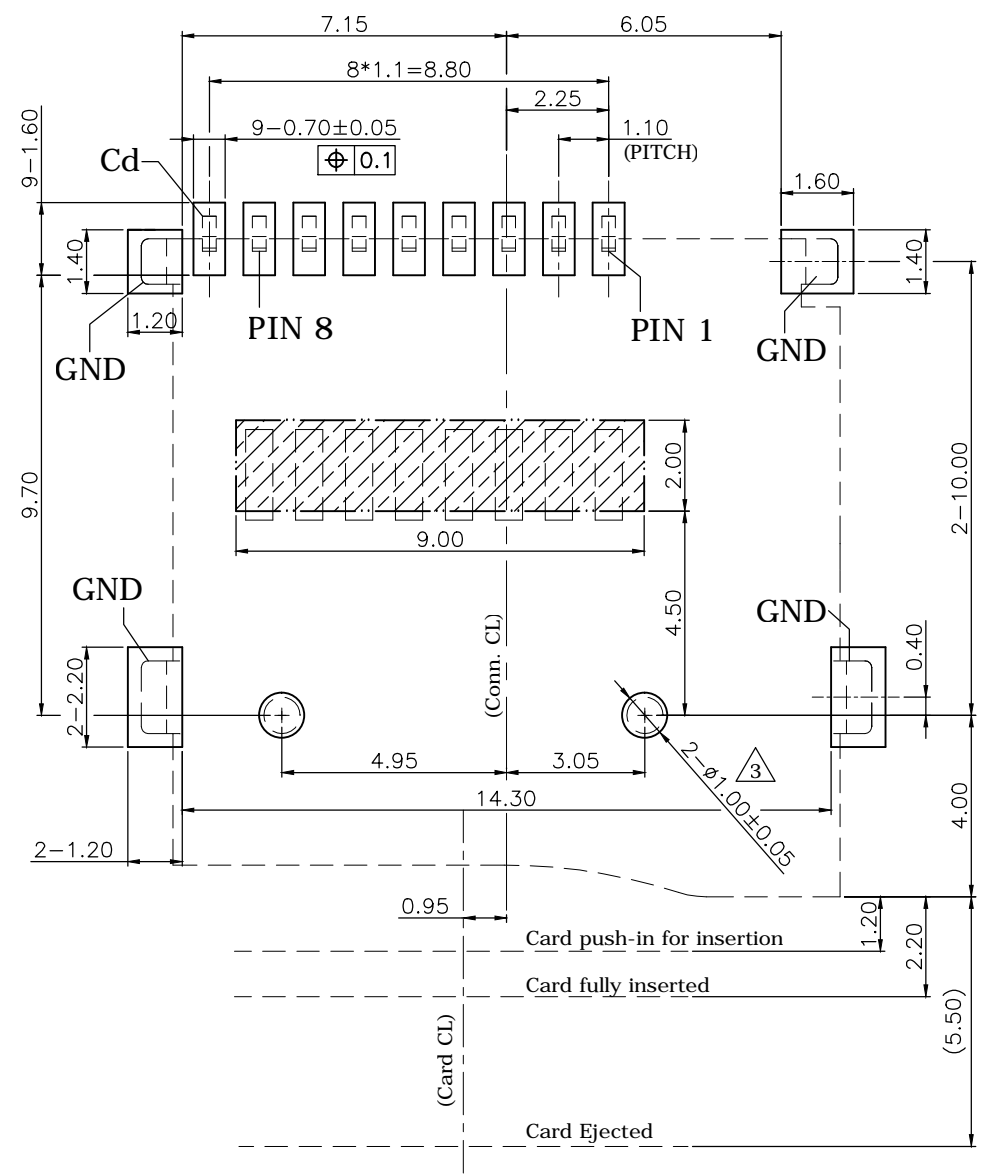
UNLESS OTHERWISE SPECIFIED TOLERANCE			
UNIT:	DECIMAL	LINEAR	ANGLES
mm	X.	±0.50	±5°
	X.X	±0.25	±3°
	X.XX	±0.12	±1°

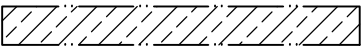


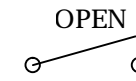
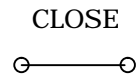
WWW.ATTEND.COM.TW



DRAWN	Willis	2013/10/31	DRAWN NAME:	
CHECKED	Angel	2013/10/31	Micro SD Socket Push-Push Type Top Mount, 10u"	
APPROVED	Ken	2013/10/31	PRODUCT NO.	112J-TDAR-R01
SCALE	4/1	SHEET	1/1	SIZE
			FILE NAME	112J-TDAR-R01_B_3

REV.	DESCRIPTION	DRAWN	DATE
	see sheet one		



RECOMMEND LAYOUT (TOP VIEW)  
 GENERAL TOLERANCE: ±0.1  
 INSULATION AREA

Card Detection Switch	
Card Ejected	Card Inserted
 OPEN Cd    GND	 CLOSE Cd    GND
Pin NO.	Pin Assignment
1	DAT2
2	CD/DAT3
3	CMD
4	VDD
5	CLK
6	VSS
7	DAT0
8	DAT1
Cd	CARD DETECTION
GND	GROUND

UNLESS OTHERWISE SPECIFIED TOLERANCE				 WWW.ATTEND.COM.TW
UNIT:	DECIMAL	LINEAR	ANGLES	
mm	X.	±0.50	±5°	
	X.X	±0.25	±3°	
	X.XX	±0.12	±1°	
DRAWN	Willis	2013/10/31	DRAWN NAME:	
CHECKED	Angel	2013/10/31	Micro SD Socket Push-Push Type Top Mount, 10u"	
APPROVED	Ken	2013/10/31	PRODUCT NO. 112J-TDAR-R01	
	SCALE 6/1	SHEET 2/2	SIZE A4	FILE NAME 112J-TDAR-R01_B_3