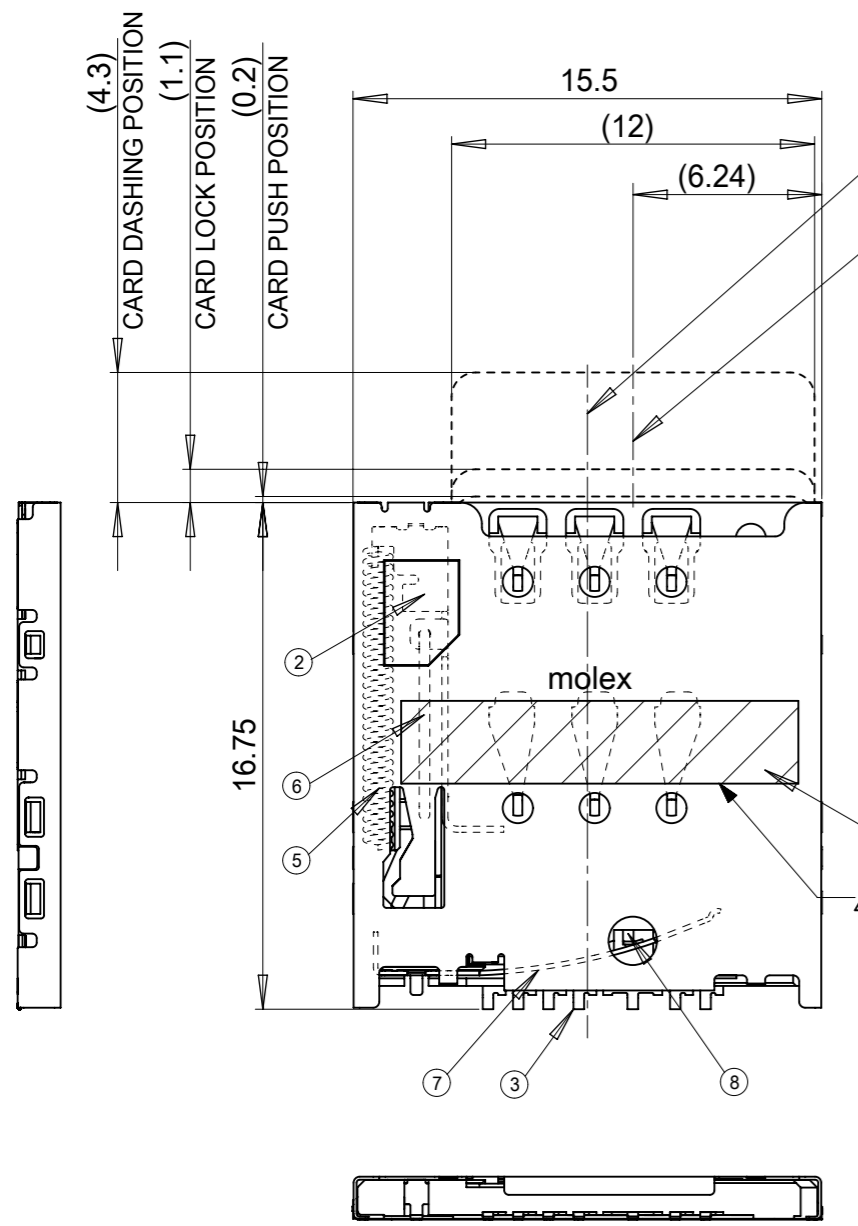
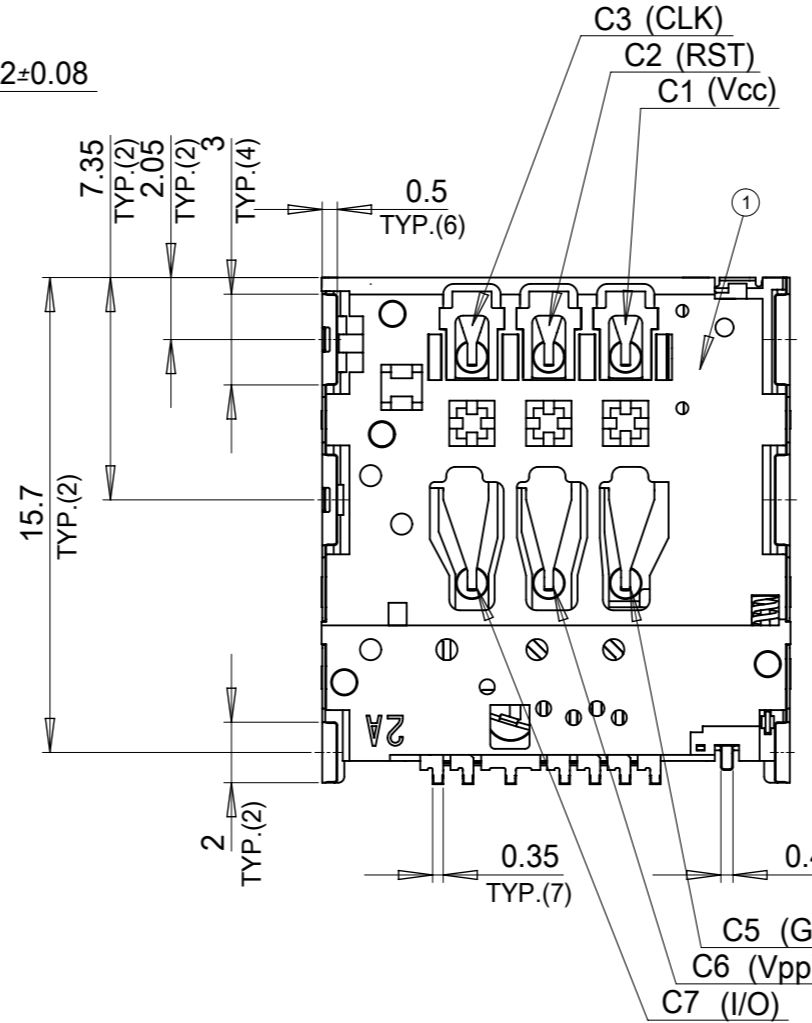


PERSPECTIVE VIEW



CONNECTOR CENTER  
CARD CENTER

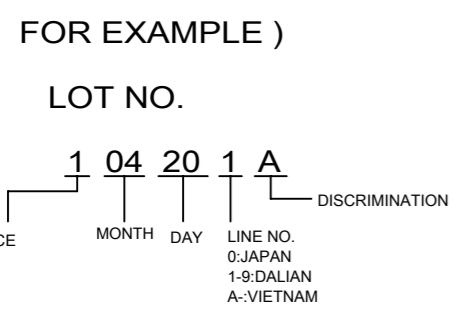


番号 NO.	名称 NAME	材料 MATERIAL	仕上げ(めっき) FINISHES (PLATING)
①	ハウジング HOUSING	液晶ポリマー(LCP)、ガラス充填、UL94V-0、黒 LIQUID CRYSTAL POLYMER (LCP), GLASS FILLED, UL94 V-0, BLACK	
②	スライダー SLIDER	ステンレス鋼 STAINLESS STEEL	
③	ターミナル TERMINAL	燐青銅 PHOSPHOR BRONZE	接触部: 金めっき(0.5μMIN.) 基板実装部: 金めっき 下地: ニッケルめっき(1.0μMIN.) CONTACT AREA: GOLD PLATING (0.5 MICROMETER MINIMUM) SOLDER TAIL AREA: GOLD PLATING UNDERPLATE: NICKEL OVERALL (1.0 MICROMETER MINIMUM)
④	シェル SHELL	銅合金 COPPER ALLOY	
⑤	スプリング SPRING	ピアノ線 SWP	全面: ニッケルめっき NICKEL OVERALL
⑥	ピン PIN	ステンレス鋼 STAINLESS STEEL	
⑦	ディテクトレバー DETECT LEVER	燐青銅 PHOSPHOR BRONZE	接触部: 金めっき(0.2μMIN.) 基板実装部: 金めっき 下地: ニッケルめっき(1.0μMIN.) CONTACT AREA: GOLD PLATING (0.2 MICROMETER MINIMUM) SOLDER TAIL AREA: GOLD PLATING UNDERPLATE: NICKEL OVERALL (1.0 MICROMETER MINIMUM)
⑧	ディテクトスイッチ DETECT SWITCH	燐青銅 PHOSPHOR BRONZE	接触部: 金めっき(0.2μMIN.) 基板実装部: 金めっき 下地: ニッケルめっき(1.0μMIN.) CONTACT AREA: GOLD PLATING (0.2 MICROMETER MINIMUM) SOLDER TAIL AREA: GOLD PLATING UNDERPLATE: NICKEL OVERALL (1.0 MICROMETER MINIMUM)

- NOTES
- ターミナル及びネイルの平坦度は0.08MAX (測定用定板面を基準)  
TERMINAL AND NAIL COPLANARITY TO BE 0.08 MAX. (FROM GAUGE PLANE)
  - △ スタンドオフ寸法  
STAND OFF DIMENSION  
本寸法はコネクタ全高に含まれます。  
STAND OFF DIMENSION IS INCLUDED IN THE CONNECTOR TOTAL HEIGHT.
  - パターン禁止エリア  
PATTERN PROHIBITION AREA
  - カード検知スイッチ  
DETECT SWITCH

カード挿入時	CARD INSERTING POSITION	オープン	OPEN
カード未挿入時	NO CARD	クローズ	CLOSE

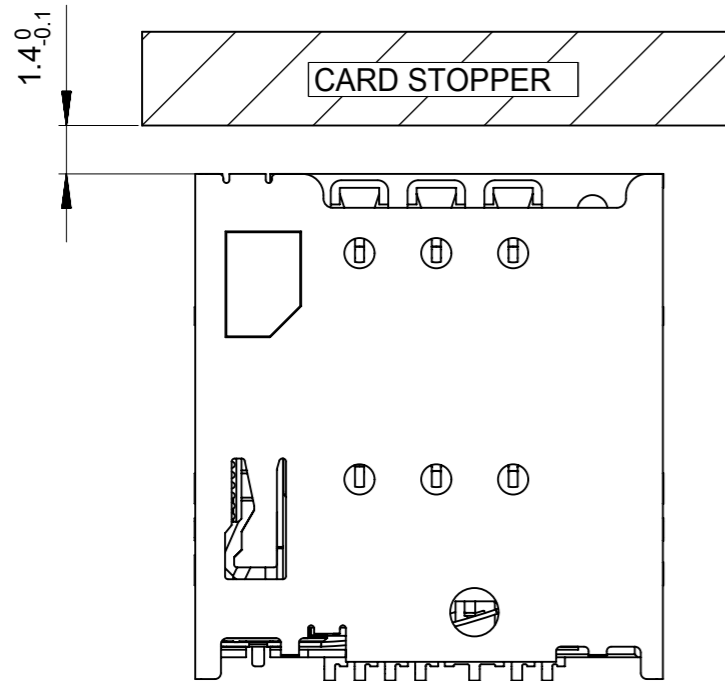
5. 肉抜き位置は任意とする。  
CAVITY IS TO BE OPTIONAL.  
△ ロット印字は任意とする。  
LOT NUMBERING IS TO BE OPTIONAL.



7. ELV及びRoHS適合品  
ELV AND RoHS COMPLIANT.
8. 括弧寸法は、参考値となります。  
(Dimension) : REFERENCE VALUE
9. GENERAL TOLERANCES  
(UNLESS SPECIFIED)
- |                |       |
|----------------|-------|
| 10UNDER        | ±0.2  |
| 10OVER 30UNDER | ±0.25 |
| 30OVER         | ±0.3  |

THIS DRAWING CONTAINS INFORMATION THAT IS PROPRIETARY TO MOLEX ELECTRONIC TECHNOLOGIES, LLC AND SHOULD NOT BE USED WITHOUT WRITTEN PERMISSION

REVISED EC NO: 167374 DRWN: ESATO CHK'D: KTAKAHASHI APPR: KTAKAHASHI	2017/10/27	2017/10/30	2017/10/30	GENERAL TOLERANCES (UNLESS SPECIFIED) ANGULAR TOL ± 1.0 °	DIMENSION UNITS	SCALE	<p>MICRO SIM CARD CONN. PUSH/PUSH NORMAL TYPE ASS'Y</p> <p>PRODUCT CUSTOMER DRAWING</p>		
	4 PLACES	±	3 PLACES		±	MM		4:1	
	3 PLACES	±	2 PLACES		±	DRWN BY		DATE	
	2 PLACES	±	1 PLACE		±	Y MORINAGA		2013/11/21	
1 PLACE	±	0 PLACES	±	CHK'D BY	DATE	SERIES	MATERIAL NUMBER	CUSTOMER	
0 PLACES	±			TKUSUHARA01	2013/11/21				503960
DRAFT WHERE APPLICABLE MUST REMAIN WITHIN DIMENSIONS					APPR BY	DATE	DOCUMENT NUMBER		
					NUKITA	2013/11/21	SD-503960-007		
					DRAWING SIZE	THIRD ANGLE PROJECTION	DOC TYPE		
					A3		DOC PART		
							SHEET NUMBER		
							1 OF 2		

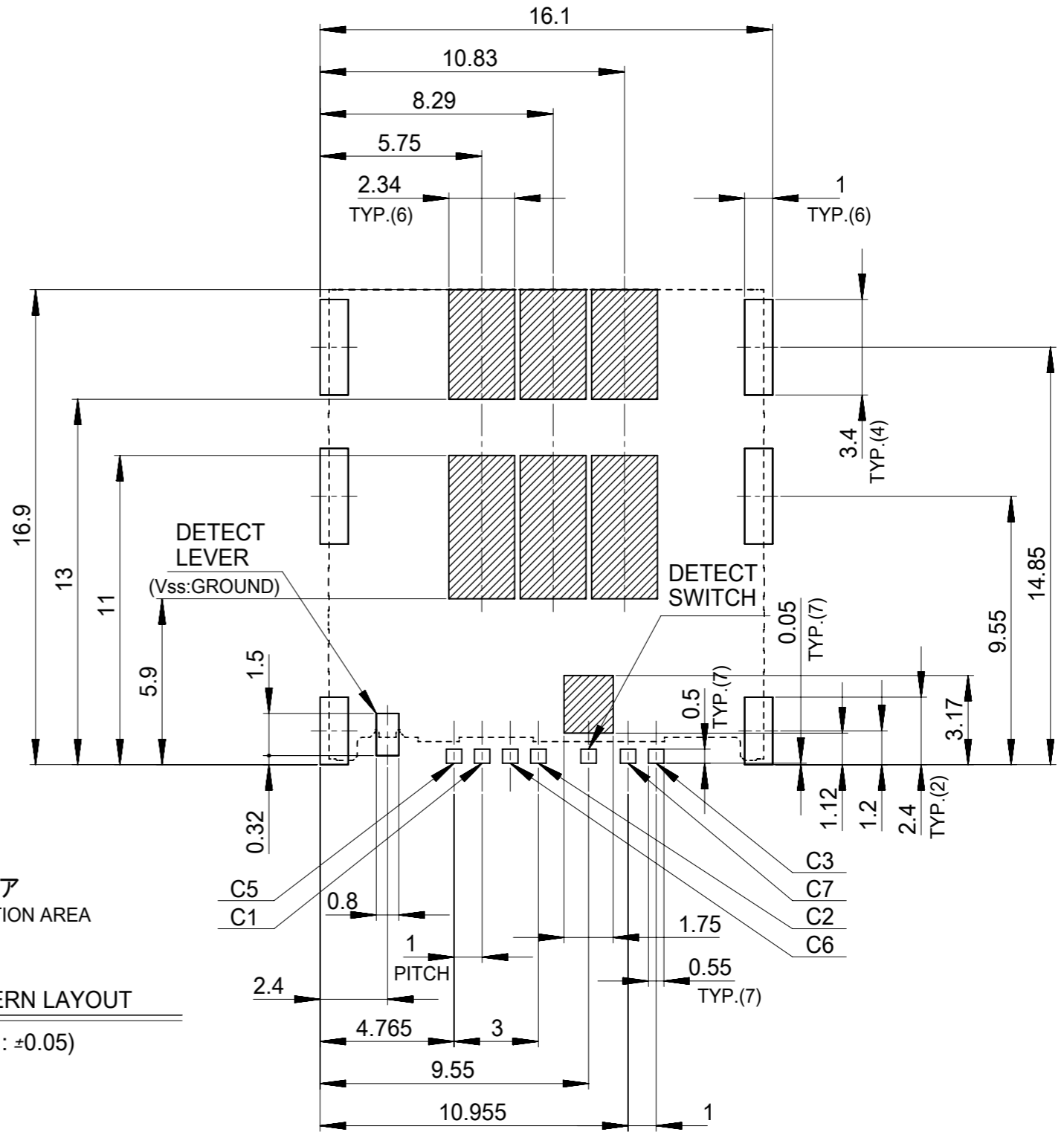


RECOMMENDED CARD STOPPER POSITION(SCALE:4:1)



パターン禁止エリア  
PATTERN PROHIBITION AREA

RECOMMENDED PCB PATTERN LAYOUT  
(GENERAL TORERANCE : ±0.05)



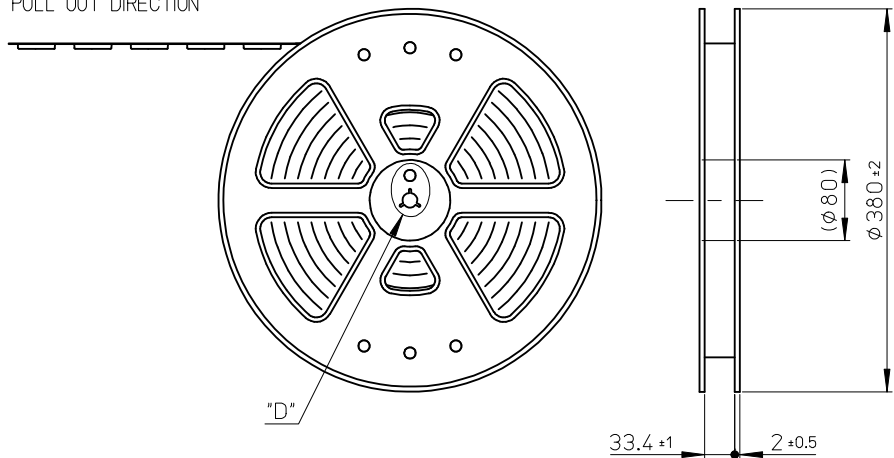
THIS DRAWING CONTAINS INFORMATION THAT IS PROPRIETARY TO MOLEX ELECTRONIC TECHNOLOGIES, LLC AND SHOULD NOT BE USED WITHOUT WRITTEN PERMISSION

EC NO: 167374 DRWN: ESATO CHK'D: KTAKAHASHI APPR: KTAKAHASHI	2017/10/27	2017/10/30	2017/10/30	GENERAL TOLERANCES (UNLESS SPECIFIED) ANGULAR TOL ± 1.0 ° 4 PLACES ± 3 PLACES ± 2 PLACES ± 1 PLACE ± 0 PLACES ± DRAFT WHERE APPLICABLE MUST REMAIN WITHIN DIMENSIONS	DIMENSION UNITS	SCALE			
	REVISED	MM	5:1						
	DRWN BY	DATE	MICRO SIM CARD CONN. PUSH/PUSH NORMAL TYPE ASS'Y						
	YMORINAGA	2013/11/21							
	CHK'D BY	DATE	PRODUCT CUSTOMER DRAWING						
	TKUSUHARA01	2013/11/21							
APPR BY	DATE	SERIES	MATERIAL NUMBER	CUSTOMER					
NUKITA	2013/11/21	503960		GENERAL MARKET					
DRAWING SIZE	THIRD ANGLE PROJECTION	DOCUMENT NUMBER			DOC TYPE	DOC PART	SHEET NUMBER		
A3		SD-503960-007			PSD	001	2 OF 2		

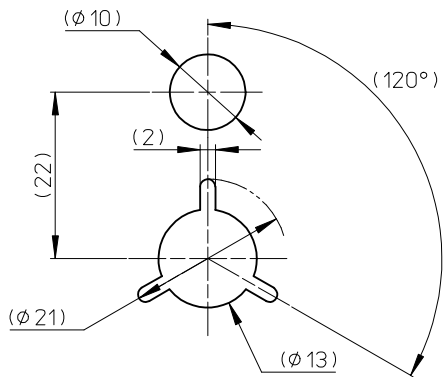
NOTES

- 製品詳細寸法については、コネクタ単体のSD図面を参照下さい。  
RE DETAILED DIMENSION, SEE RSD DRAWING OF ASS'Y.
- 梱包数量：1600個/リール  
NUMBER OF CONNECTORS：1600 PCS/REEL.
- リードテープ長さ LEAD TAPE LENGTH.

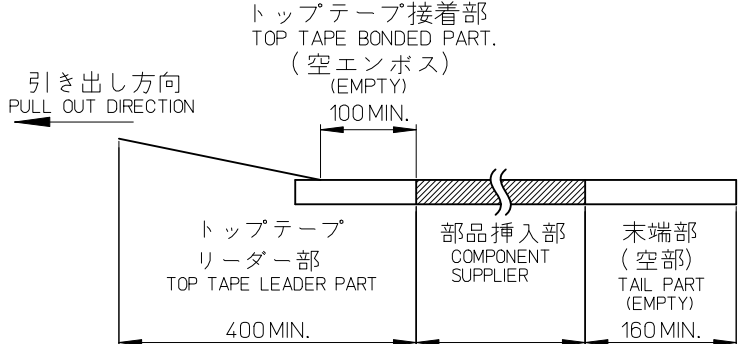
引き出し方向  
PULL OUT DIRECTION



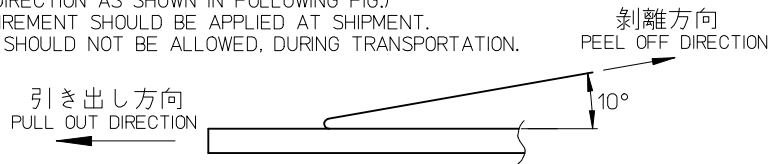
"D"



DETAIL "D"



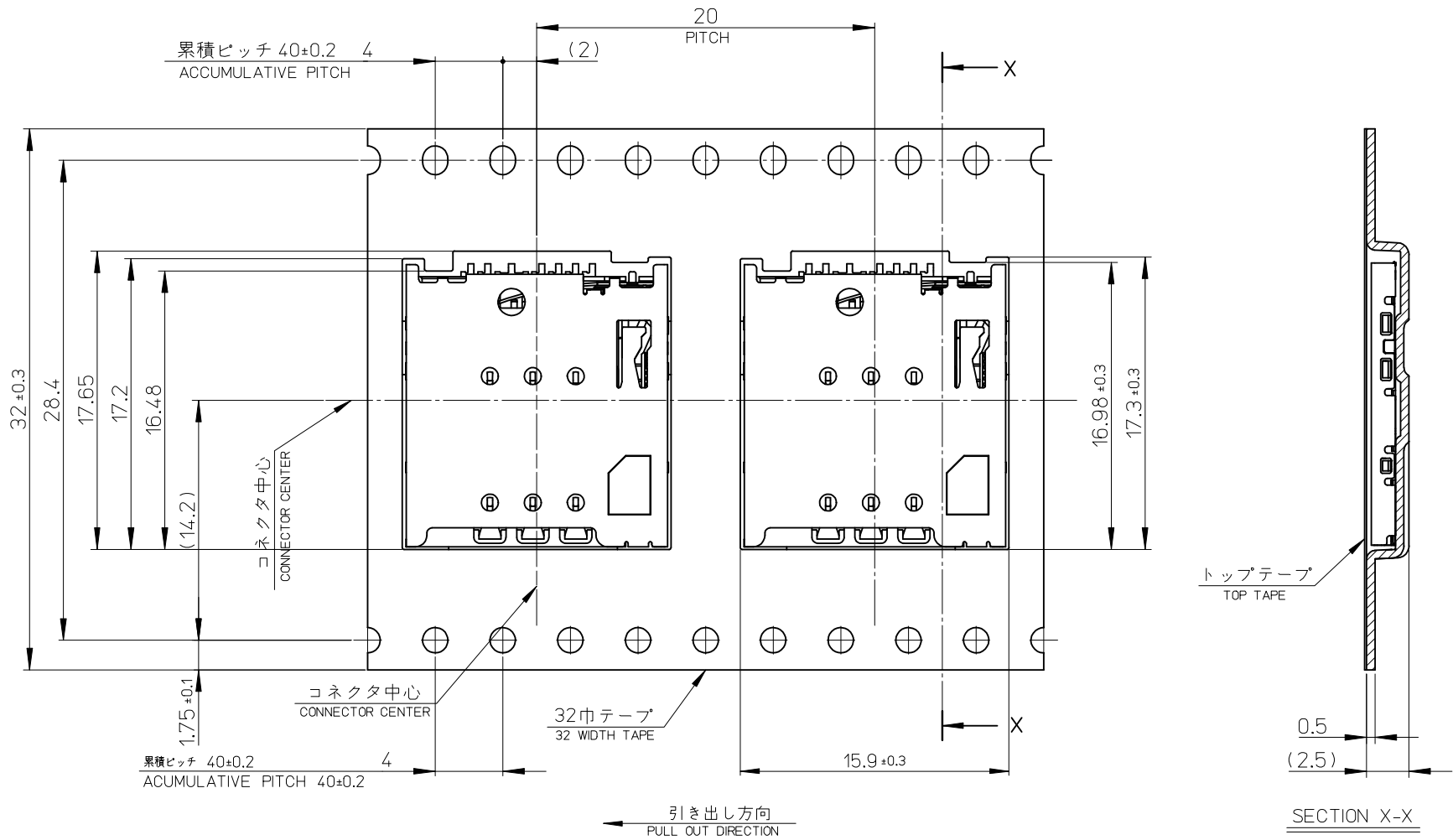
- トップテープの剥離強度：JIS C0806-3に準拠(剥離方向は下図参照)尚、本規格値は出荷時に適用。(但し、輸送時に剥離が発生しないこと。)  
PEELING OFF FORCE OF TOP TAPE：BASED UPON JIS C0806-3 (PEELING DIRECTION AS SHOWN IN FOLLOWING FIG.) THIS REQUIREMENT SHOULD BE APPLIED AT SHIPMENT. PEEL OFF SHOULD NOT BE ALLOWED, DURING TRANSPORTATION.



- 材料 MATERIAL  
キャリアテープ (CARRIER TAPE)：ポリスチレン (POLYSTYRENE)  
トップテープ (TOP TAPE)：PET, PE, PEF  
リール (REEL)：ポリスチレン (PS) <リサイクル材含む>  
POLYSTYRENE (PS) <RECYCLE MATERIAL CONTAINED>

503960-0695	6
EMBOSSED PACKAGE	極数
オーダー番号 ORDER NO.	CIRCUITS
CONNECTOR SERIES No. 503960-****	

RELEASED EC NO: J2014-0885 DRWN: YMORINAGA 2013/11/20 CHKD: TKUSUHARA01 2013/11/20 APPR: NUKITA 2013/11/21	GENERAL TOLERANCES (UNLESS SPECIFIED)		DIMENSION STYLE MM ONLY		SCALE 1:1	DESIGN UNITS METRIC	THIRD ANGLE PROJECTION
	10 UNDER	±0.2	DRAWN BY YMORINAGA	DATE 2013/11/20	TITLE MICRO SIM CARD CONN. PUSH/PUSH NORMAL TYPE EMBOSSED TAPE PACKAGE		
	10 OVER 30 UNDER	±0.25	CHECKED BY TKUSUHARA01	DATE 2013/11/20	<b>molex</b> DOCUMENT NO. SD-503960-008 SHEET NO. 1 OF 2		
	30 OVER	±0.3	APPROVED BY NUKITA	DATE 2013/11/21			
ANGULAR ±1 °	DRAFT WHERE APPLICABLE MUST REMAIN WITHIN DIMENSIONS		MATERIAL NO. SEE CHART		THIS DRAWING CONTAINS INFORMATION THAT IS PROPRIETARY TO MOLEX INCORPORATED AND SHOULD NOT BE USED WITHOUT WRITTEN PERMISSION		



SEE SHEET 1 OF 2 EC NO: J2014-0885 DRWN: YMORINAGA 2013/11/20 CHKD: TKUSUHARA01 2013/11/20 APPR: NUKITA 2013/11/21	GENERAL TOLERANCES (UNLESS SPECIFIED)		DIMENSION STYLE MM ONLY		SCALE 1:1	DESIGN UNITS METRIC	THIRD ANGLE PROJECTION
	10 UNDER	± 0.2	DRAWN BY YMORINAGA	DATE 2013/11/20	TITLE MICRO SIM CARD CONN. PUSH/PUSH NORMAL TYPE EMBOSSD TAPE PACKAGE		
	10 OVER 30 UNDER	± 0.25	CHECKED BY TKUSUHARA01	DATE 2013/11/20			
	30 OVER	± 0.3	APPROVED BY NUKITA	DATE 2013/11/21	<b>molex</b> DOCUMENT NO. SD-503960-008 SHEET NO. 2 OF 2		
ANGULAR ± 1 °		MATERIAL NO. SEE SHEET 1 OF 2					
DRAFT WHERE APPLICABLE MUST REMAIN WITHIN DIMENSIONS		THIS DRAWING CONTAINS INFORMATION THAT IS PROPRIETARY TO MOLEX INCORPORATED AND SHOULD NOT BE USED WITHOUT WRITTEN PERMISSION					