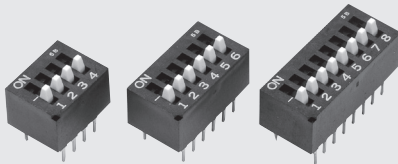


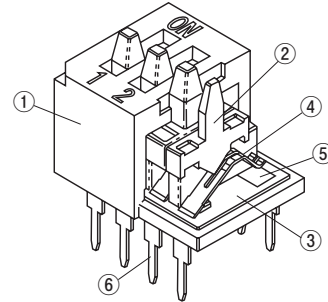
SLIDE SWITCHES (FULL PITCH)



RoHS compliant



INTERNAL STRUCTURE



Part name	Material
① Cover	Polyphenylenesulfide
② Slider	Polyamide
③ Housing	Polyphenylenesulfide
④ Slider contact	Copper alloy, Gold-plated
⑤ Fixed contact	
⑥ Terminal pin	

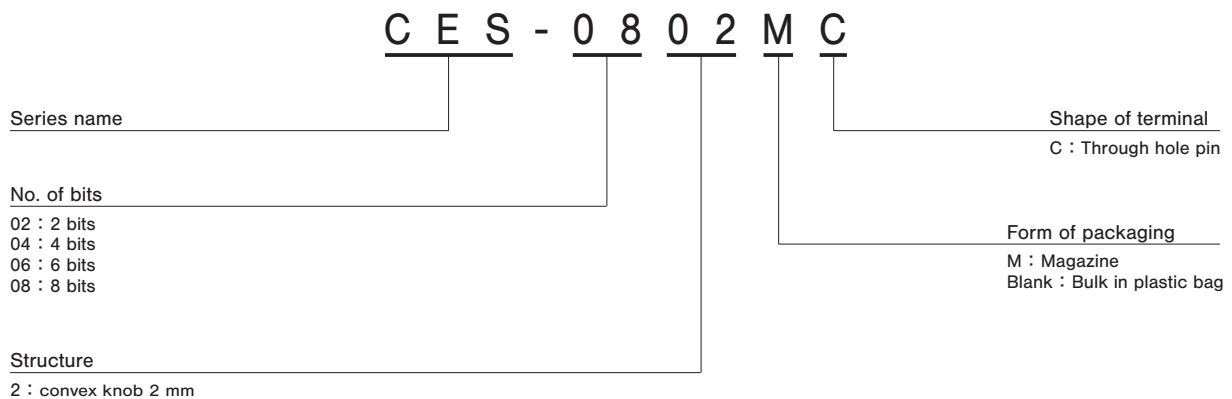
FEATURES

- Excellent contact stability by twin Gold-plated contact
- RoHS compliant
- Fine click action
- Resin material is UL Recognized 94V-0

APPLICATIONS

- Hot water apparatus, Air-conditioning equipment and vending machines

PART NUMBER DESIGNATION



※ Please refer to the LIST OF PART NUMBERS when placing orders.

LIST OF PART NUMBERS

No. of bits	Form of packaging	Through hole pins	Packaging quantity
2	Plastic bag	CES-0202C	10 pcs. /pack
	Magazine	CES-0202MC	60 pcs./stick
4	Plastic bag	CES-0402C	10 pcs. /pack
	Magazine	CES-0402MC	36 pcs./stick
6	Plastic bag	CES-0602C	10 pcs. /pack
	Magazine	CES-0602MC	26 pcs./stick
8	Plastic bag	CES-0802C	10 pcs. /pack
	Magazine	CES-0802MC	20 pcs./stick

※ Verify the above part numbers when placing orders.

STANDARD SPECIFICATIONS

Operating temp. range	- 40~ 85 °C
Storage temp. range	
Sealing	Non-washable
Net weight	Approx. 0.9 g (CES-02) Approx. 1.5 g (CES-04) Approx. 2.1 g (CES-06) Approx. 2.7 g (CES-08)

ELECTRICAL CHARACTERISTICS

Contact rating Non-switching Switching Minimum	DC50 V 100 mA DC6 V, 100 mA DC24 V, 25 mA DC20 mV 1 μA
Contact resistance	50 mΩ maximum
Insulation resistance	1000 MΩ (DC100 V) minimum
Dielectric strength	AC500 V, 60 s

MECHANICAL CHARACTERISTICS

Stroke	2 mm
Operating force	0.5 ~ 7 N {0.05 ~ 0.71 kgf}
Stop strength	10 N {1.02 kgf} 60 s
Terminal strength	5 N {0.51 kgf} 10 s
Solderability	245 ± 3 °C, 2 ~ 3 s
Soldering heat	Flow : 260 ± 3 °C, 5 ~ 6 s, two times maximum
	Manual soldering : 380 ± 10 °C, 3 ~ 4 s

{ } : Reference only

ENVIRONMENTAL CHARACTERISTICS

Vibration	(Amplitude) 1.5 mm or (Acceleration) 98 m/s ² , 10-500 Hz, 3 directions for 10 cycles each
Shock	490 m/s ² , 11 ms, 6 directions for 3 times each
Load life	Continuous load 1000 cycles, DC6 ± 0.5 V, 100 ± 10 mA
Humidity	-10 ~ 65 °C, Relative humidity 0 ~ 96 %, 24 h for 10 cycles
High temp. exposure	85 °C, 96 h
Low temp. exposure	-40 °C, 96 h
Thermal shock	-40 (0.5 h) ~ 85 °C (0.5 h), 5 cycles

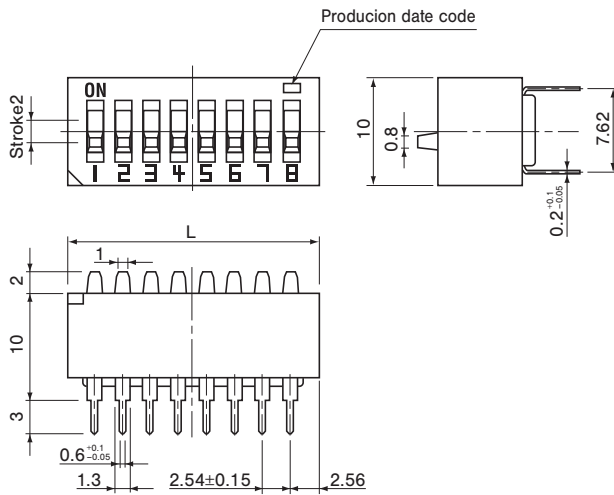
CES

SLIDE SWITCHES (FULL PITCH)

OUTLINE DIMENSIONS

Unless otherwise specified, tolerance : ± 0.3 (Unit : mm)

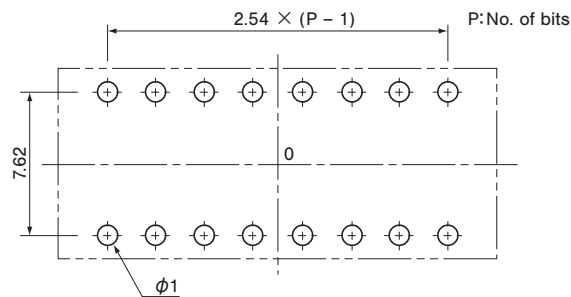
● CES-□□ 02C



Part number	Schematic	No. of bits	L dimension
CES-02		2	7.66
CES-04		4	12.74
CES-06		6	17.82
CES-08		8	22.9

SIZE OF P.C.B. PROCESSING

(Unit : mm)



PACKAGING SPECIFICATIONS

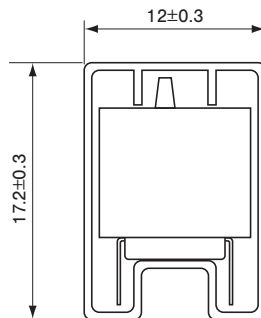
<Magazine packaging specifications>

- Packing quantities of magazines are different depending on the bit number of the switches.
Please order the multiple numbers of the specific packing quantities. (e.g. 36 pcs., 72 pcs., 108 pcs., etc., in case of 4 bits version)

Pieces in package : 2 bits, 60 pcs./stick
 4 bits, 36 pcs./stick
 6 bits, 26 pcs./stick
 8 bits, 20 pcs./stick

Magazine dimensions

(Unit : mm)



Magazine length : 500 ± 2 mm long

<Bulk pack specifications>

- The smallest unit of bulk pack in plastic bag is 10 pcs. per pack.
Orders will be accepted for unit of minimum 10 pcs., i.e., 10, 20, 30 pcs., etc.
- Boxing of bulk in a plastic bag is performed with 10 pcs. (standard 20 pcs.) per box.