

## General Description

The AOZ1233-01 is a high-efficiency, easy-to-use DC/DC synchronous buck regulator that operates up to 28V. The device is capable of supplying 8A of continuous output current with an output voltage adjustable down to 0.8V ( $\pm 1.0\%$ ).

The AOZ1233-01 integrates an internal linear regulator to generate 5.3V  $V_{CC}$  from input. If input voltage is lower than 5.3V, the linear regulator operates at low drop-output mode, which allows the  $V_{CC}$  voltage is equal to input voltage minus the drop-output voltage of the internal linear regulator.

A proprietary constant on-time PWM control with input feed-forward results in ultra-fast transient response while maintaining relatively constant switching frequency over the entire input voltage range. The switching frequency can be externally programmed up to 1MHz.

The device features multiple protection functions such as  $V_{CC}$  under-voltage lockout, cycle-by-current limit, output over-voltage protection, short-circuit protection, as well as thermal shutdown.

The AOZ1233-01 is available in a 5mm x 5mm QFN-30L package and is rated over a  $-40^{\circ}\text{C}$  to  $+85^{\circ}\text{C}$  ambient temperature range.

## Features

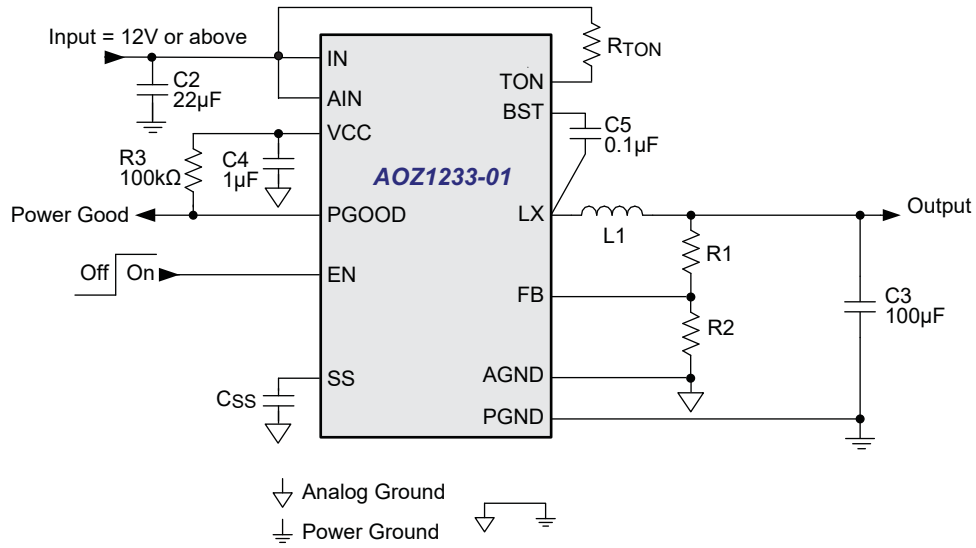
- Wide input voltage range
  - 2.7V to 28V
- 8A continuous output current
- Output voltage adjustable down to 0.8V ( $\pm 1.0\%$ )
- Low  $R_{DS(ON)}$  internal NFETs
  - 25m $\Omega$  high-side
  - 10m $\Omega$  low-side SRFET™
- Constant On-Time with input feed-forward
- Programmable frequency up to 1MHz
- Internal 5.3V/20mA linear regulator
- Ceramic capacitor stable
- Adjustable soft start
- Power Good output
- Integrated bootstrap diode
- Cycle-by-cycle current limit
- Short-circuit protection
- Thermal shutdown
- Thermally enhanced 5mm x 5mm QFN-30L package

## Applications

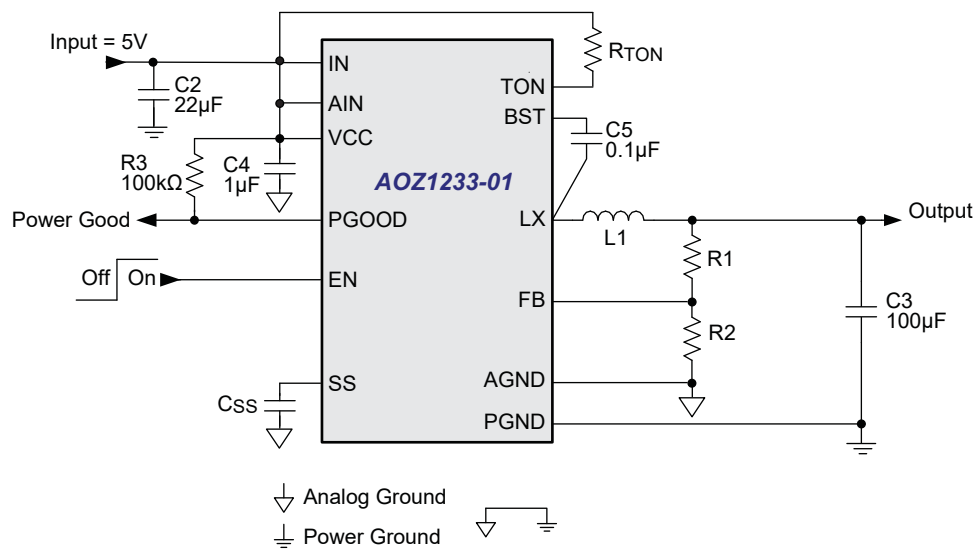
- Portable computers
- Compact desktop PCs
- Servers
- Graphics cards
- Set-top boxes
- LCD TVs
- Cable modems
- Point-of-load DC/DC converters



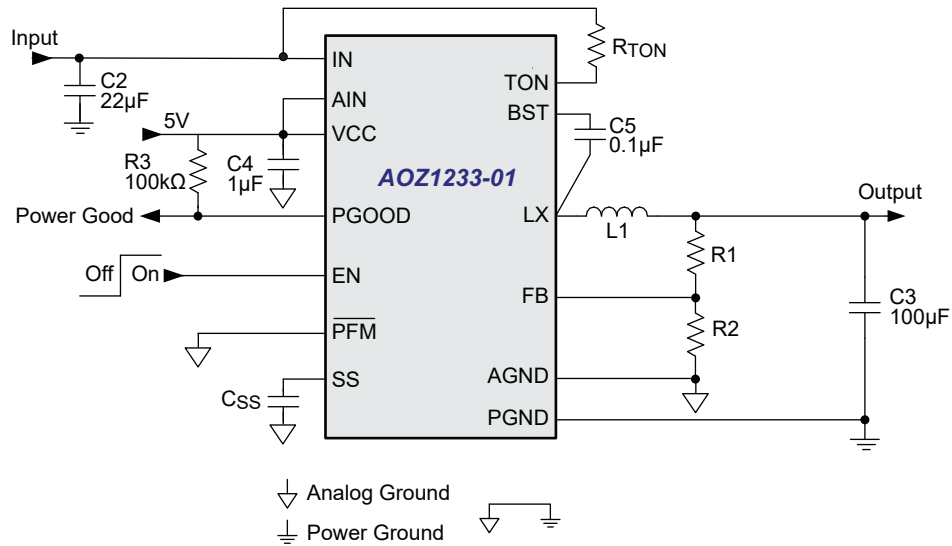
Typical Application for  $V_{IN} = 12V$  or above



Typical Application for  $V_{IN} = 5V$



Typical Application for High Light Load Efficiency Requirement or  $V_{IN} = 2.7V \sim 6.5V$



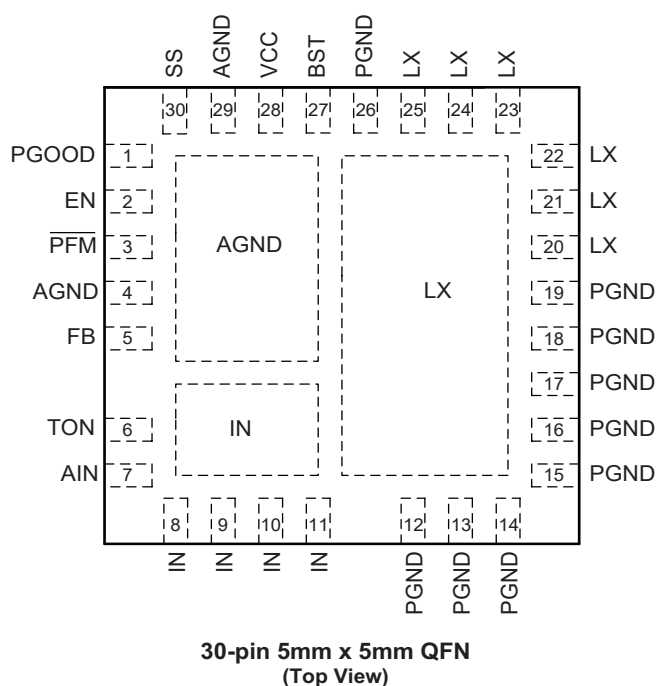
Ordering Information

| Part Number  | Ambient Temperature Range | Package              | Environmental |
|--------------|---------------------------|----------------------|---------------|
| AOZ1233QI-01 | -40°C to +85°C            | 30-Pin 5mm x 5mm QFN | Green Product |



AOS Green Products use reduced levels of Halogens, and are also RoHS compliant. Please visit [www.aosmd.com/media/AOSGreenPolicy.pdf](http://www.aosmd.com/media/AOSGreenPolicy.pdf) for additional information.

## Pin Configuration



## Pin Description

| Pin Number                         | Pin Name                | Pin Function  |
|------------------------------------|-------------------------|---|
| 1                                  | PGOOD                   | Power Good Signal Output. PGOOD is an open-drain output used to indicate the status of the output voltage. It is internally pulled low when the output voltage is 10% lower than the nominal regulation voltage for 50μs (typical time) or 15% higher than the nominal regulation voltage. PGOOD is pulled low during soft-start and shut down. |
| 2                                  | EN                      | Enable Input. The AOZ1233-01 is enabled when EN is pulled high. The device shuts down when EN is pulled low.  |
| 3                                  | $\overline{\text{PFM}}$ | PFM Selection Input. Connect $\overline{\text{PFM}}$ pin to VCC/VIN for forced PWM operation. Connect $\overline{\text{PFM}}$ pin to ground for PFM operation to improve light load efficiency.   |
| 4, 29                              | AGND                    | Analog Ground.  |
| 5                                  | FB                      | Feedback Input. Adjust the output voltage with a resistive voltage-divider between the regulator's output and AGND.   |
| 6                                  | TON                     | On-Time Setting Input. Connect a resistor between VIN and TON to set the on time.   |
| 7                                  | AIN                     | Supply Input for analog functions.  |
| 8, 9, 10, 11                       | IN                      | Supply Input. IN is the regulator input. All IN pins must be connected together.  |
| 12, 13, 14, 15, 16, 17, 18, 19, 26 | PGND                    | Power Ground.   |
| 20, 21, 22, 23, 24, 25             | LX                      | Switching Node.   |
| 27                                 | BST                     | Bootstrap Capacitor Connection. The AOZ1233-01 includes an internal bootstrap diode. Connect an external capacitor between BST and LX as shown in the Typical Application diagrams.   |
| 28                                 | VCC                     | Output for internal linear regulator. Bypass VCC to AGND with a 1μF ceramic capacitor. Place the capacitor close to VCC pin.  |
| 30                                 | SS                      | Soft-Start Time Setting Pin. Connect a capacitor between SS and AGND to set the soft-start time.  |

## Absolute Maximum Ratings

Exceeding the Absolute Maximum Ratings may damage the device.

| Parameter                                  | Rating          |
|--|-----------------|
| IN, AIN, TON, PFM to AGND                  | -0.3V to 30V    |
| LX to AGND                                 | -2V to 30V      |
| BST to AGND                                | -0.3V to 36V    |
| SS, PGOOD, FB, EN, V <sub>CC</sub> to AGND | -0.3V to 6V     |
| PGND to AGND                               | -0.3V to +0.3V  |
| Junction Temperature (T <sub>J</sub> )     | +150°C          |
| Storage Temperature (T <sub>S</sub> )      | -65°C to +150°C |
| ESD Rating <sup>(1)</sup>                  | 2kV             |

### Note:

1. Devices are inherently ESD sensitive, handling precautions are required. Human body model rating: 1.5kΩ in series with 100pF.
2. LX to PGND Transient (t<20ns) ----- -7V to V<sub>IN</sub> + 7V.

## Maximum Operating Ratings

The device is not guaranteed to operate beyond the Maximum Operating ratings.

| Parameter                             | Rating                       |
|---------------------------------------|------------------------------|
| Supply Voltage (V <sub>IN</sub> )     | 2.7V <sup>(1)</sup> to 28V   |
| Output Voltage Range                  | 0.8V to 0.85*V <sub>IN</sub> |
| Ambient Temperature (T <sub>A</sub> ) | -40°C to +85°C               |
| Package Thermal Resistance            |                              |
| HS MOSFET                             | 25°C/W                       |
| LS MOSFET                             | 20°C/W                       |
| PWM Controller                        | 50°C/W                       |

### Note:

1. Connect V<sub>CC</sub> and AIN to external 5V for V<sub>IN</sub> = 2.7V ~ 6.5V application.

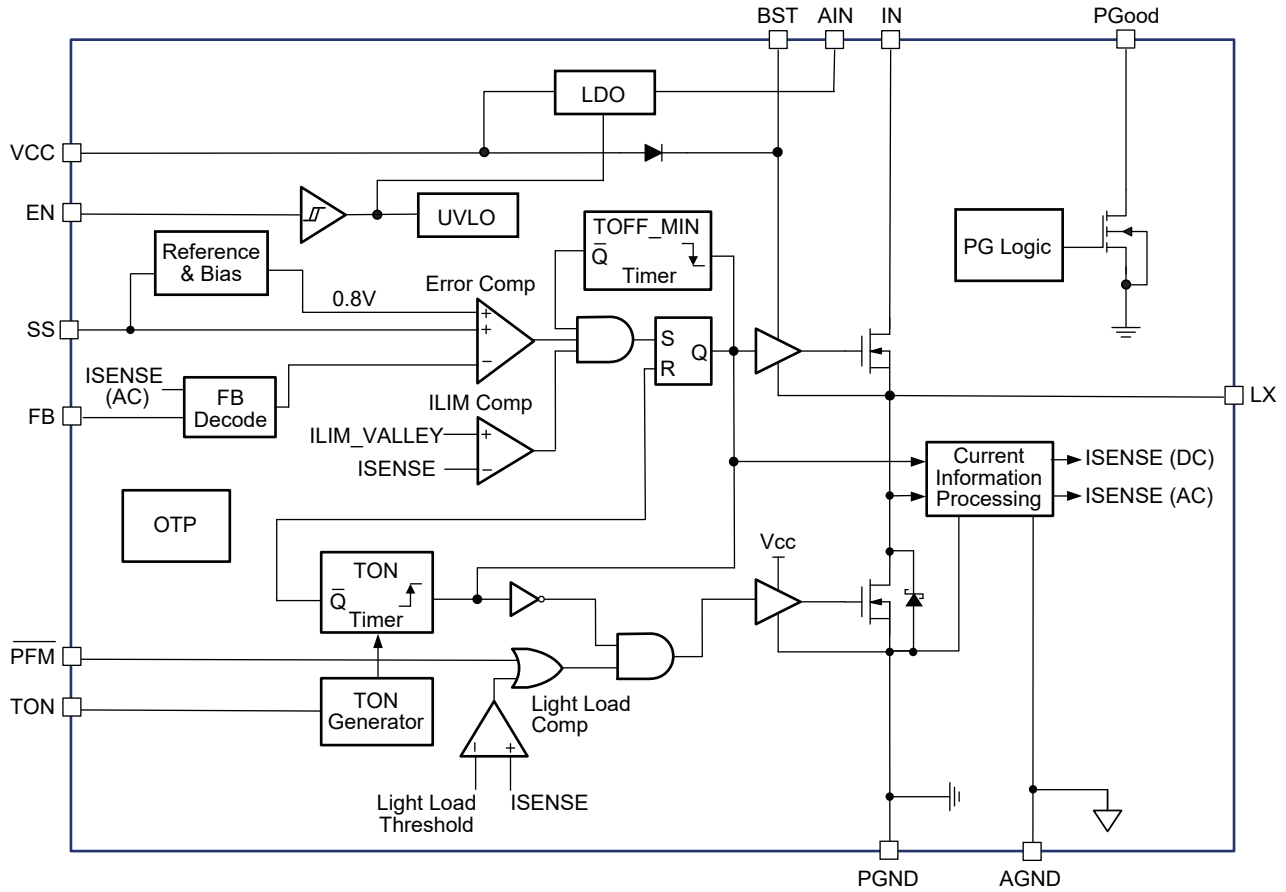
## Electrical Characteristics

T<sub>A</sub> = 25°C, V<sub>IN</sub> = 12V, EN = 5V, unless otherwise specified. Specifications in **BOLD** indicate a temperature range of -40°C to +85°C.

| Symbol               | Parameter  | Conditions   | Min.           | Typ.                     | Max            | Units |
|----------------------|--|--|----------------|--------------------------|----------------|-------|
| V <sub>IN</sub>      | IN Supply Voltage                                  |  | <b>2.7</b>     |                          | <b>28</b>      | V     |
| V <sub>UVLO</sub>    | Under-Voltage Lockout Threshold of V <sub>CC</sub> | V <sub>CC</sub> rising<br>V <sub>CC</sub> falling  | <b>3.2</b>     | <b>4.0</b><br><b>3.7</b> | <b>4.4</b>     | V     |
| I <sub>q</sub>       | Quiescent Supply Current of V <sub>CC</sub>        | I <sub>OUT</sub> = 0, V <sub>FB</sub> = 1.0V, V <sub>EN</sub> > 2V                                 |                | <b>2</b>                 | <b>3</b>       | mA    |
| I <sub>OFF</sub>     | Shutdown Supply Current                            | V <sub>EN</sub> = 0V   |                | <b>1</b>                 | <b>20</b>      | μA    |
| V <sub>FB</sub>      | Feedback Voltage                                   | T <sub>A</sub> = 25°C<br>T <sub>A</sub> = 0°C to 85°C  | 0.792<br>0.788 | 0.800<br>0.800           | 0.808<br>0.812 | V     |
|                      | Load Regulation                                    |  |                | 0.5                      |                | %     |
|                      | Line Regulation                                    |  |                | 1                        |                | %     |
| I <sub>FB</sub>      | FB Input Bias Current                              |  |                |                          | 200            | nA    |
| <b>Enable</b>        |  |  |                |                          |                |       |
| V <sub>EN</sub>      | EN Input Threshold                                 | Off threshold<br>On threshold  | 2.5            |                          | 0.5            | V     |
| V <sub>EN_HYS</sub>  | EN Input Hysteresis                                |  |                | 100                      |                | mV    |
| <b>PFM Control</b>   |  |  |                |                          |                |       |
| V <sub>PFM</sub>     | PFM Input Threshold                                | PFM Mode threshold<br>Force PWM threshold  | 2.5            |                          | 0.5            | V     |
| V <sub>PFMHYS</sub>  | PFM Input Hysteresis                               |  |                | 100                      |                | mV    |
| <b>Modulator</b>     |  |  |                |                          |                |       |
| T <sub>ON</sub>      | On Time  | R <sub>TON</sub> = 100kΩ, V <sub>IN</sub> = 12V<br>R <sub>TON</sub> = 100kΩ, V <sub>IN</sub> = 24V | 200            | 250<br>150               | 300            | ns    |
| T <sub>ON_MIN</sub>  | Minimum On Time                                    |  |                | 100                      |                | ns    |
| T <sub>OFF_MIN</sub> | Minimum Off Time                                   |  |                | 250                      |                | ns    |

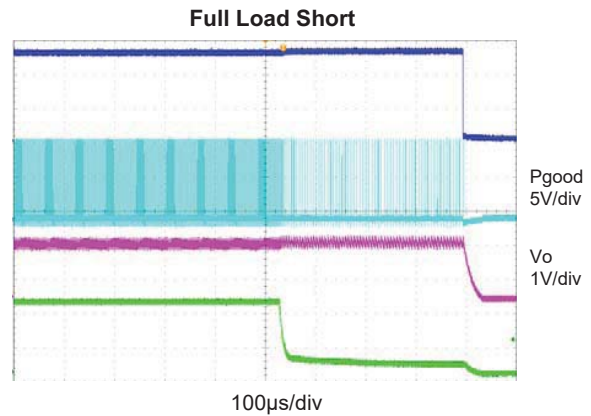
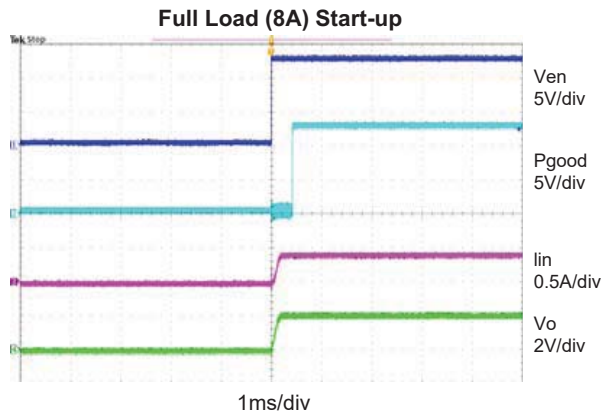
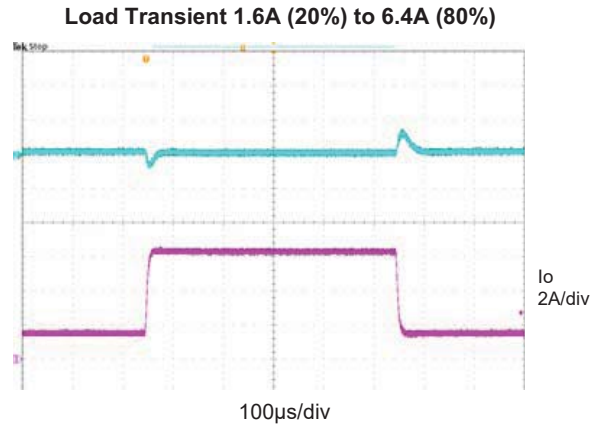
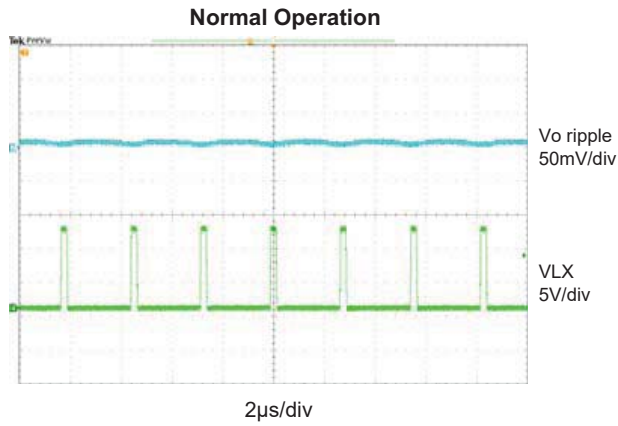
| Symbol   | Parameter                            | Conditions  | Min.      | Typ.       | Max        | Units |
|--|--------------------------------------|---|-----------|------------|------------|-------|
| <b>Soft-Start</b>                                |                                      |   |           |            |            |       |
| I <sub>SS_OUT</sub>                              | SS Source Current                    | V <sub>SS</sub> = 0, C <sub>SS</sub> = 0.001μF to 0.1μF           | 7         | 10         | 15         | μA    |
| <b>Power Good Signal</b>                         |                                      |   |           |            |            |       |
| V <sub>PG_LOW</sub>                              | PGOOD Low Voltage                    | I <sub>OL</sub> = 1mA   |           |            | <b>0.5</b> | V     |
|  | PGOOD Leakage Current                |   |           |            | <b>±1</b>  | μA    |
| V <sub>PGH</sub><br>V <sub>PGL</sub>             | PGOOD Threshold                      | FB rising<br>FB falling   | 12<br>-12 | 15<br>-10  | 18<br>-8   | %     |
|  | PGOOD Threshold Hysteresis           |   |           | 3          |            | %     |
| T <sub>PG_L</sub>                                | PGOOD Fault Delay Time (FB falling)  |   |           | 50         |            | μs    |
| <b>Under Voltage and Over Voltage Protection</b> |                                      |   |           |            |            |       |
| V <sub>PL</sub>                                  | Under Voltage Threshold              | FB falling  | -30       | -25        | -20        | %     |
| T <sub>PL</sub>                                  | Under Voltage Delay Time             |   |           | 128        |            | μs    |
| V <sub>PH</sub>                                  | Over Voltage Threshold               | FB rising   | 12        | 15         | 18         | %     |
| T <sub>UV_LX</sub>                               | Under Voltage Shutdown Blanking Time | V <sub>IN</sub> = 12V, V <sub>EN</sub> = 0V, V <sub>CC</sub> = 5V |           | 20         |            | mS    |
| <b>Power Stage Output</b>                        |                                      |   |           |            |            |       |
| R <sub>DS(ON)</sub>                              | High-Side NFET On-Resistance         | V <sub>IN</sub> = 12V, V <sub>CC</sub> = 5V                       |           | 25         | 30         | mΩ    |
|  | High-Side NFET Leakage               | V <sub>EN</sub> = 0V, V <sub>LX</sub> = 0V                        |           |            | 10         | μA    |
| R <sub>DS(ON)</sub>                              | Low-Side NFET On-Resistance          | V <sub>LX</sub> = 12V, V <sub>CC</sub> = 5V                       |           | 10         | 12.5       | mΩ    |
|  | Low-Side NFET Leakage                | V <sub>EN</sub> = 0V  |           |            | 10         | μA    |
| <b>Over-current and Thermal Protection</b>       |                                      |   |           |            |            |       |
| I <sub>LIM</sub>                                 | Valley Current Limit                 |   | 8         |            |            | A     |
|  | Thermal Shutdown Threshold           | T <sub>J</sub> rising<br>T <sub>J</sub> falling                   |           | 145<br>100 |            | °C    |

Functional Block Diagram



## Typical Performance Characteristics

Circuit of Typical Application.  $T_A = 25^\circ\text{C}$ ,  $V_{IN} = 12\text{V}$ ,  $V_{OUT} = 1.5\text{V}$ ,  $f_s = 300\text{kHz}$  unless otherwise specified.





## Detailed Description

The AOZ1233-01 is a high-efficiency, easy-to-use, synchronous buck regulator optimized for notebook computers. The regulator is capable of supplying 8A of continuous output current with an output voltage adjustable down to 0.8V. The programmable operating frequency range of 100kHz to 1MHz enables optimizing the configuration for PCB area and efficiency.

The input voltage of AOZ1233-01 can be as low as 2.7V. The highest input voltage of AOZ1233-01 can be 28V. Constant on-time PWM with input feed-forward control scheme results in ultra-fast transient response while maintaining relatively constant switching frequency over the entire input range. True AC current mode control scheme guarantees the regulator can be stable with a ceramic output capacitor. The switching frequency can be externally programmed up to 1MHz. Protection features include  $V_{CC}$  under-voltage lockout, valley current limit, output over voltage and under voltage protection, short-circuit protection, and thermal shutdown.

The AOZ1233-01 is available in 30-pin 5mm x 5mm QFN package.

### Input Power Architecture

The AOZ1233-01 integrates an internal linear regulator to generate 5.3V  $V_{CC}$  from input. If input voltage is lower than 5.3V, the linear regulator operates at low drop-output mode; the  $V_{CC}$  voltage is equal to input voltage minus the drop-output voltage of internal linear regulator.

### Enable and Soft Start

The AOZ1233-01 has external soft start feature to limit in-rush current and ensure the output voltage ramps up smoothly to regulation voltage. A soft start process begins when  $V_{CC}$  rises to 4.0V and voltage on EN pin is HIGH. An internal current source charges the external soft-start capacitor; the FB voltage follows the voltage of soft-start pin ( $V_{SS}$ ) when it is lower than 0.8V. When  $V_{SS}$  is higher than 0.8V, the FB voltage is regulated by internal precise band-gap voltage (0.8V). The soft-start time can be calculated by the following formula:

$$T_{SS}(\mu s) = 330 \times C_{SS}(nF)$$

If  $C_{SS}$  is 1nF, the soft-start time will be 330 $\mu$ s; if  $C_{SS}$  is 10nF, the soft-start time will be 3.3ms.

### Constant-On-Time PWM Control with Input Feed-Forward

The control algorithm of AOZ1233-01 is constant-on-time PWM Control with input feed-forward.

The simplified control schematic is shown in Figure 1.

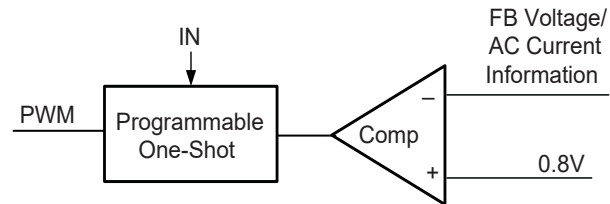


Figure 1. Simplified Control Schematic of AOZ1233-01

The high-side switch on-time is determined solely by a one-shot whose pulse width can be programmed by one external resistor and is inversely proportional to input voltage ( $V_{IN}$ ). The one-shot is triggered when the internal 0.8V is lower than the combined information of FB voltage and the AC current information of inductor, which is processed and obtained through the sensed lower-side MOSFET current once it turns on. The added AC current information can help the stability of constant-on time control even with pure ceramic output capacitors, which have very low ESR. The AC current information has no DC offset, which does not cause offset with output load change, which is fundamentally different from other  $V^2$  constant-on time control schemes.

The constant-on-time PWM control architecture is a pseudo-fixed frequency with input voltage feed-forward. The internal circuit of AOZ1233-01 sets the on-time of high-side switch inversely proportional to the  $V_{IN}$ .

$$T_{ON} = \frac{26.3 \times 10^{-12} \times R_{TON}(\Omega)}{V_{IN}(V)} \quad (1)$$

To achieve the flux balance of inductor, the buck converter has the equation:

$$F_{SW} = \frac{V_{OUT}}{V_{IN} \times T_{ON}} \quad (2)$$

Once the product of  $V_{IN} \times T_{ON}$  is constant, the switching frequency keeps constant and is independent with input voltage.

An external resistor between the IN and TON pin sets the switching frequency according to the following equation:

$$F_{SW} = \frac{V_{OUT} \times 10^{12}}{26.3 \times R_{TON}} \quad (3)$$

A further simplified equation will be:

$$F_{SW}(kHz) = \frac{38000 \times V_{OUT}(V)}{R_{TON}(k\Omega)} \quad (4)$$

If  $V_{OUT}$  is 1.8V,  $R_{TON}$  is 137k $\Omega$ , the switching frequency will be 500kHz.

This algorithm results in a nearly constant switching frequency despite the lack of a fixed-frequency clock generator.

### True Current Mode Control

The constant-on-time control scheme is intrinsically unstable if output capacitor's ESR is not large enough as an effective current-sense resistor. Ceramic capacitors usually cannot be used as output capacitor.

The AOZ1233-01 senses the low-side MOSFET current and processes it into DC and AC current information using AOS proprietary technique. The AC current information is decoded and added on the FB pin on phase. With AC current information, the stability of constant-on-time control is significantly improved even without the help of output capacitor's ESR, and thus the pure ceramic capacitor solution can be applicable. The pure ceramic capacitor solution can significantly reduce the output ripple (no ESR caused overshoot and undershoot) and less board area design.

### Valley Current-Limit Protection

The AOZ1233-01 uses the valley current-limit protection by using  $R_{DS(on)}$  of the lower MOSFET current sensing. To detect real current information, a minimum constant-off (150ns typical) is implemented after a constant-on time. If the current exceeds the valley current-limit threshold, the PWM controller is not allowed to initiate a new cycle. The actual peak current is greater than the valley current-limit threshold by an amount equal to the inductor ripple current. Therefore, the exact current-limit characteristic and maximum load capability are a function of the inductor value as well as input and output

voltages. The current limit will keep the low-side MOSFET ON and will not allow another high-side on-time, until the current in the low-side MOSFET reduces below the current limit. Figure 2 shows the inductor current during the current limit.

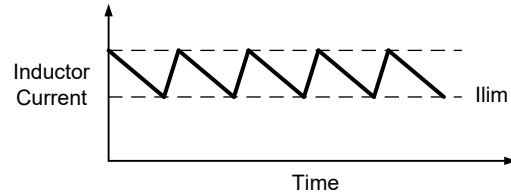


Figure 2. Inductor Current

After 128 $\mu$ s (typical), the AOZ1233-01 considers this is a true failed condition and therefore, turns-off both high-side and low-side MOSFETs and latches off. When triggered, only the enable can restart the AOZ1233-01 again.

### Output Voltage Under-Voltage Protection

If the output voltage is lower than 25% by over-current or short circuit, the AOZ1233-01 will wait for 128 $\mu$ s (typical) and turns-off both high-side and low-side MOSFETs and latches off. When triggered, only the enable can restart the AOZ1233-01 again.

### Output Voltage Over-Voltage Protection

The threshold of OVP is set 15% higher than 800mV. When the  $V_{FB}$  voltage exceeds the OVP threshold, high-side MOSFET is turned-off and low-side MOSFETs is turned-on until  $V_{FB}$  voltage is lower than 800mV.

### Power Good Output

The power good (PGOOD) output, which is an open drain output, requires the pull-up resistor. When the output voltage is 10% below than the nominal regulation voltage for 50 $\mu$ s (typical), the PGOOD is pulled low. When the output voltage is 15% higher than the nominal regulation voltage, the PGOOD is also pulled low.

When combined with the under-voltage-protection circuit, this current limit method is effective in almost every circumstance. In forced-PWM mode, the AOZ1233-01 also implements a negative current limit to prevent excessive reverse inductor currents when  $V_{OUT}$  is sinking current.

## Application Information

The basic AOZ1233-01 application circuit is shown in pages 2 and 3. Component selection is explained below.

### Input Capacitor

The input capacitor must be connected to the IN pins and PGND pin of the AOZ1233-01 to maintain steady input voltage and filter out the pulsing input current. A small decoupling capacitor, usually 1 $\mu$ F, should be connected to the VCC pin and AGND pin for stable operation of the AOZ1233-01. The voltage rating of input capacitor must be greater than maximum input voltage plus ripple voltage.

The input ripple voltage can be approximated by equation below:

$$\Delta V_{IN} = \frac{I_O}{f \times C_{IN}} \times \left(1 - \frac{V_O}{V_{IN}}\right) \times \frac{V_O}{V_{IN}}$$

Since the input current is discontinuous in a buck converter, the current stress on the input capacitor is another concern when selecting the capacitor. For a buck circuit, the RMS value of input capacitor current can be calculated by:

$$I_{CIN\_RMS} = I_O \times \sqrt{\frac{V_O}{V_{IN}} \left(1 - \frac{V_O}{V_{IN}}\right)}$$

if let  $m$  equal the conversion ratio:

$$\frac{V_O}{V_{IN}} = m$$

The relation between the input capacitor RMS current and voltage conversion ratio is calculated and shown in Figure 3. It can be seen that when  $V_O$  is half of  $V_{IN}$ ,  $C_{IN}$  it is under the worst current stress. The worst current stress on  $C_{IN}$  is  $0.5 \times I_O$ .

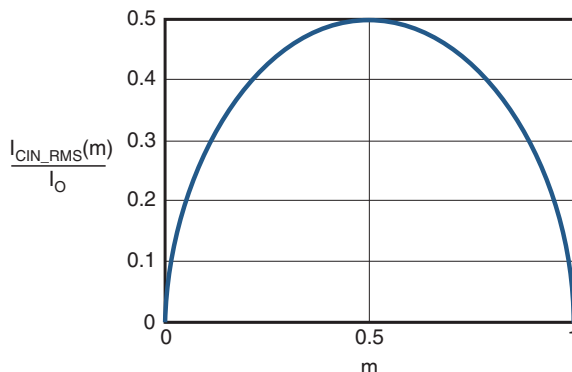


Figure 3.  $I_{CIN}$  vs. Voltage Conversion Ratio

For reliable operation and best performance, the input capacitors must have current rating higher than  $I_{CIN\_RMS}$  at worst operating conditions. Ceramic capacitors are preferred for input capacitors because of their low ESR and high ripple current rating. Depending on the application circuits, other low ESR tantalum capacitor or aluminum electrolytic capacitor may also be used. When selecting ceramic capacitors, X5R or X7R type dielectric ceramic capacitors are preferred for their better temperature and voltage characteristics. Note that the ripple current rating from capacitor manufactures is based on certain amount of life time. Further de-rating may be necessary for practical design requirement.

### Inductor

The inductor is used to supply constant current to output when it is driven by a switching voltage. For given input and output voltage, inductance and switching frequency together decide the inductor ripple current, which is:

$$\Delta I_L = \frac{V_O}{f \times L} \times \left(1 - \frac{V_O}{V_{IN}}\right)$$

The peak inductor current is:

$$I_{Lpeak} = I_O + \frac{\Delta I_L}{2}$$

High inductance gives low inductor ripple current but requires a larger size inductor to avoid saturation. Low ripple current reduces inductor core losses. It also reduces RMS current through inductor and switches, which results in less conduction loss. Usually, peak to peak ripple current on inductor is designed to be 30% to 50% of output current.

When selecting the inductor, make sure it is able to handle the peak current without saturation even at the highest operating temperature.

The inductor takes the highest current in a buck circuit. The conduction loss on the inductor needs to be checked for thermal and efficiency requirements.

Surface mount inductors in different shapes and styles are available from Coilcraft, Elytone and Murata. Shielded inductors are small and radiate less EMI noise, but they do cost more than unshielded inductors. The choice depends on EMI requirement, price and size.

## Output Capacitor

The output capacitor is selected based on the DC output voltage rating, output ripple voltage specification and ripple current rating.

The selected output capacitor must have a higher rated voltage specification than the maximum desired output voltage including ripple. De-rating needs to be considered for long term reliability.

Output ripple voltage specification is another important factor for selecting the output capacitor. In a buck converter circuit, output ripple voltage is determined by inductor value, switching frequency, output capacitor value and ESR. It can be calculated by the equation below:

$$\Delta V_O = \Delta I_L \times \left( ESR_{CO} + \frac{1}{8 \times f \times C_O} \right)$$

where,

$C_O$  is output capacitor value and

$ESR_{CO}$  is the Equivalent Series Resistor of output capacitor.

When a low ESR ceramic capacitor is used as output capacitor, the impedance of the capacitor at the switching frequency dominates. Output ripple is mainly caused by capacitor value and inductor ripple current. The output ripple voltage calculation can be simplified to:

$$\Delta V_O = \Delta I_L \times \frac{1}{8 \times f \times C_O}$$

If the impedance of ESR at switching frequency dominates, the output ripple voltage is mainly decided by capacitor ESR and inductor ripple current. The output ripple voltage calculation can be further simplified to:

$$\Delta V_O = \Delta I_L \times ESR_{CO}$$

For lower output ripple voltage across the entire operating temperature range, X5R or X7R dielectric type of ceramic, or other low ESR tantalum are recommended to be used as output capacitors.

In a buck converter, output capacitor current is continuous. The RMS current of output capacitor is decided by the peak to peak inductor ripple current. It can be calculated by:

$$I_{CO\_RMS} = \frac{\Delta I_L}{\sqrt{12}}$$

Usually, the ripple current rating of the output capacitor is a smaller issue because of the low current stress. When the buck inductor is selected to be very small and inductor ripple current is high, the output capacitor could be overstressed.

## Thermal Management and Layout Consideration

In the AOZ1233-01 buck regulator circuit, high pulsing current flows through two circuit loops. The first loop starts from the input capacitors, to the VIN pin, to the LX pins, to the filter inductor, to the output capacitor and load, and then returns to the input capacitor through ground. Current flows in the first loop when the high side switch is on. The second loop starts from the inductor, to the output capacitors and load, to the low side switch. Current flows in the second loop when the low side switch is on.

In PCB layout, minimizing the two loops area reduces the noise of this circuit and improves efficiency. A ground plane is strongly recommended to connect the input capacitor, output capacitor and PGND pin of the AOZ1233-01.

In the AOZ1233-01 buck regulator circuit, the major power dissipating components are the AOZ1233-01 and output inductor. The total power dissipation of the converter circuit can be measured by input power minus output power.

$$P_{total\_loss} = V_{IN} \times I_{IN} - V_O \times I_O$$

The power dissipation of inductor can be approximately calculated by output current and DCR of inductor and output current.

$$P_{inductor\_loss} = I_O^2 \times R_{inductor} \times 1.1$$

The actual junction temperature can be calculated with power dissipation in the AOZ1233-01 and thermal impedance from junction to ambient.

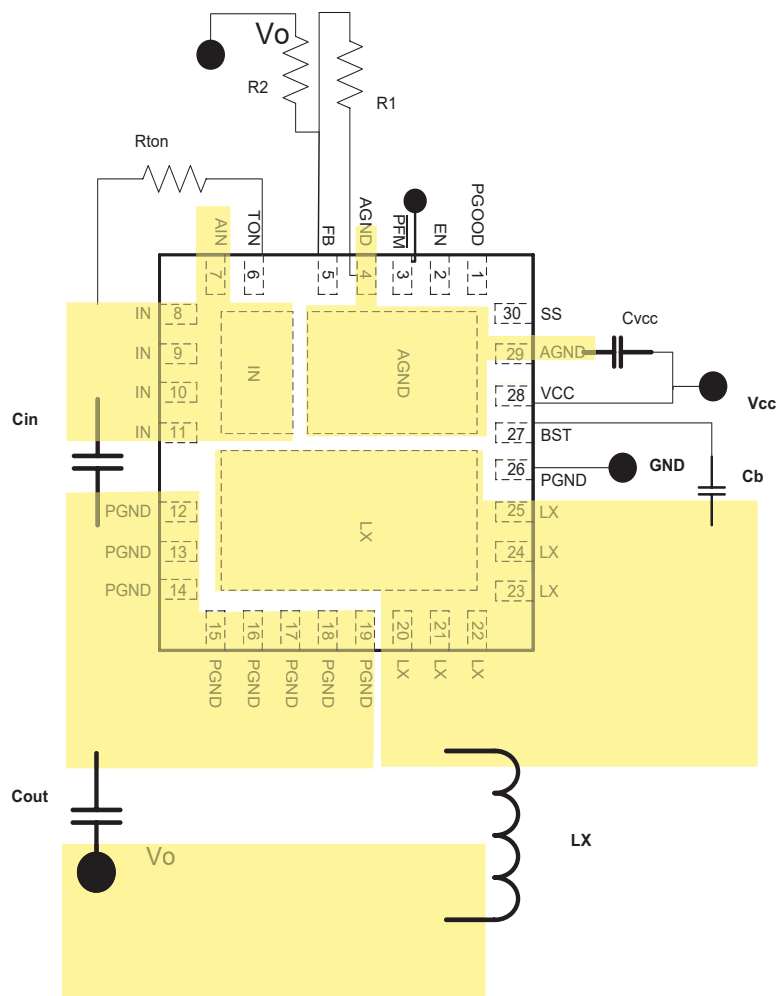
$$T_{junction} = (P_{total\_loss} - P_{inductor\_loss}) \times \Theta_{JA}$$

The maximum junction temperature of AOZ1233-01 is 150°C, which limits the maximum load current capability.

The thermal performance of the AOZ1233-01 is strongly affected by the PCB layout. Extra care should be taken by users during design process to ensure that the IC will operate under the recommended environmental conditions.

Several layout tips are listed below for the best electric and thermal performance.

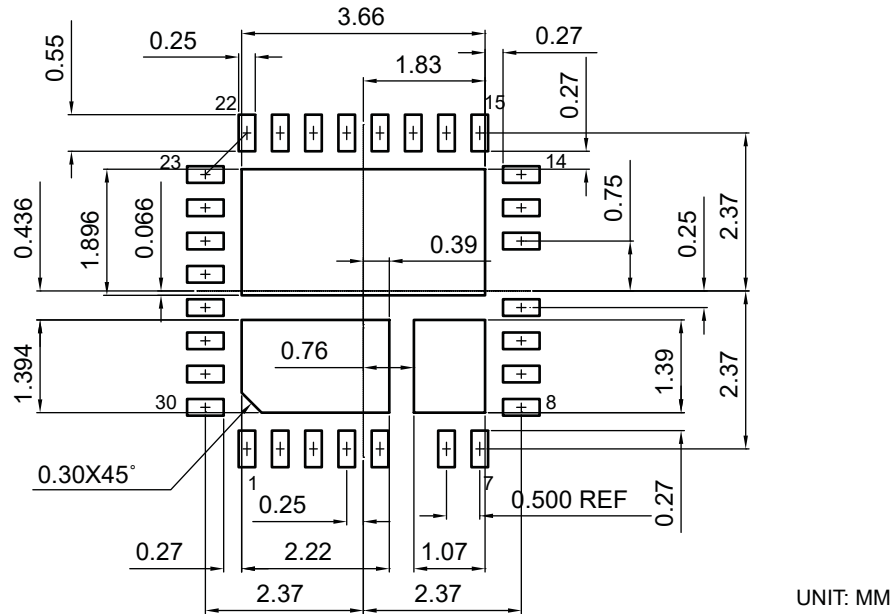
1. The LX pins and pad are connected to internal low side switch drain. They are low resistance thermal conduction path and most noisy switching node. Connect a large copper plane to LX pin to help thermal dissipation.
2. The IN pins and pad are connected to internal high side switch drain. They are also low resistance thermal conduction path. Connect a large copper plane to IN pins to help thermal dissipation.
3. Do not use thermal relief connection on the PGND pin. Pour a maximized copper area on the PGND pin to help thermal dissipation.
4. Input capacitors should be connected to the IN pin and the PGND pin as close as possible to reduce the switching spikes.
5. Decoupling capacitor  $C_{VCC}$  should be connected to VCC and AGND as close as possible.
6. Voltage divider R1 and R2 should be placed as close as possible to FB and AGND.
7.  $R_{TON}$  should be connected as close as possible to Pin 6 (TON pin).
8. A ground plane is preferred; Pin 26 (PGND) is connected to the ground plane through via.
9. Keep sensitive signal traces such as feedback trace far away from the LX pins.
10. Pour copper plane on all unused board area and connect it to stable DC nodes, like VIN, GND or VOUT.





Package Dimensions, QFN 5x5, 30 Lead EP3\_S (Continued)

RECOMMENDED LAND PATTERN



UNIT: MM

Dimensions in millimeters

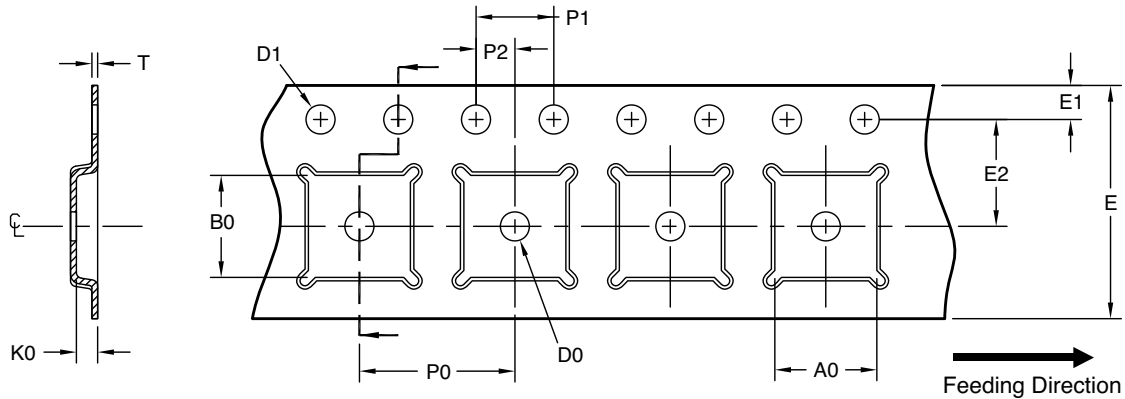
| Symbols | Min.     | Typ.  | Max.  |
|---------|----------|-------|-------|
| A       | 0.80     | 0.90  | 1.00  |
| A1      | 0.00     | 0.02  | 0.05  |
| A3      | 0.20 REF |       |       |
| b       | 0.20     | 0.25  | 0.35  |
| D       | 5.00 BSC |       |       |
| D1      | 2.12     | 2.22  | 2.32  |
| D2      | 0.97     | 1.07  | 1.17  |
| D3      | 3.56     | 3.66  | 3.76  |
| E       | 5.00 BSC |       |       |
| E1      | 1.294    | 1.394 | 1.494 |
| E2      | 1.796    | 1.896 | 1.996 |
| e       | 0.50 BSC |       |       |
| L       | 0.30     | 0.40  | 0.50  |
| L1      | 0.336    | 0.436 | 0.536 |
| L2      | —        | 0.066 | 0.166 |
| L3      | 0.29     | 0.39  | 0.49  |
| L4      | 0.66     | 0.76  | 0.86  |
| L5      | 0.17     | 0.27  | 0.37  |
| aaa     | 0.15     |       |       |
| bbb     | 0.10     |       |       |
| ccc     | 0.10     |       |       |
| ddd     | 0.08     |       |       |

Dimensions in inches

| Symbols | Min.      | Typ.  | Max.  |
|---------|-----------|-------|-------|
| A       | 0.031     | 0.035 | 0.039 |
| A1      | 0.000     | 0.001 | 0.002 |
| A3      | 0.008 REF |       |       |
| b       | 0.008     | 0.010 | 0.014 |
| D       | 0.197 BSC |       |       |
| D1      | 0.083     | 0.087 | 0.091 |
| D2      | 0.038     | 0.042 | 0.046 |
| D3      | 0.140     | 0.144 | 0.148 |
| E       | 0.197 BSC |       |       |
| E1      | 0.051     | 0.055 | 0.059 |
| E2      | 0.110     | 0.114 | 0.118 |
| e       | 0.020 BSC |       |       |
| L       | 0.012     | 0.016 | 0.020 |
| L1      | 0.013     | 0.017 | 0.021 |
| L2      | —         | 0.003 | 0.007 |
| L3      | 0.011     | 0.015 | 0.019 |
| L4      | 0.026     | 0.030 | 0.034 |
| L5      | 0.007     | 0.011 | 0.015 |
| aaa     | 0.006     |       |       |
| bbb     | 0.004     |       |       |
| ccc     | 0.004     |       |       |
| ddd     | 0.003     |       |       |

## Tape and Reel Dimensions, QFN 5x5, 30 Lead EP3\_S

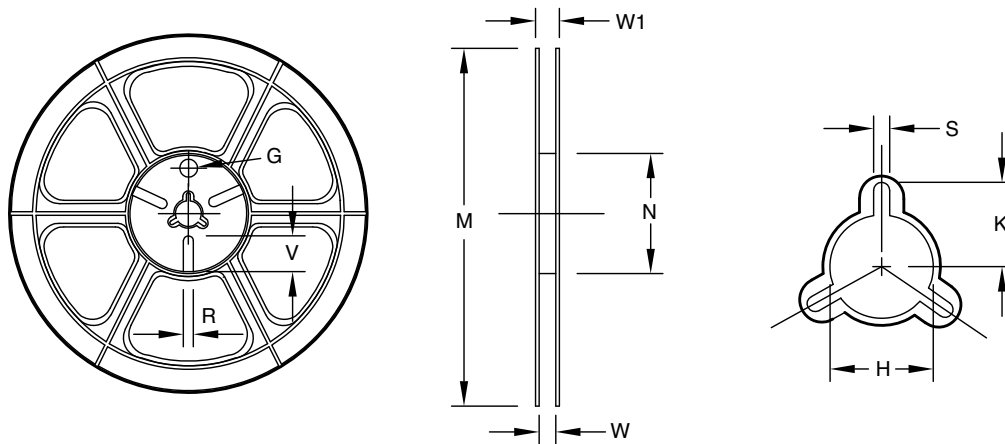
### Carrier Tape



UNIT: mm

| Package           | A0            | B0            | K0            | D0           | D1               | E             | E1            | E2            | P0            | P1            | P2            | T             |
|-------------------|---------------|---------------|---------------|--------------|------------------|---------------|---------------|---------------|---------------|---------------|---------------|---------------|
| QFN 5x5<br>(12mm) | 5.25<br>±0.10 | 5.25<br>±0.10 | 1.10<br>±0.10 | 1.50<br>Min. | 1.50<br>+0.10/-0 | 12.00<br>+0.3 | 1.75<br>±0.10 | 5.50<br>±0.05 | 8.00<br>±0.10 | 4.00<br>±0.10 | 2.00<br>±0.05 | 0.30<br>±0.05 |

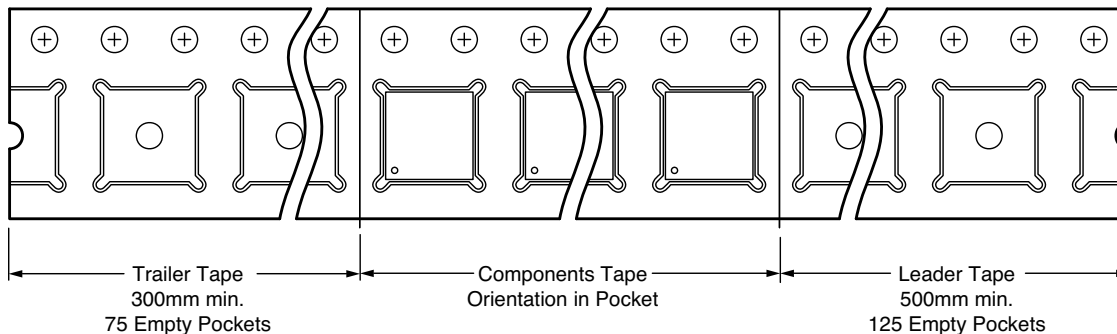
### Reel



UNIT: mm

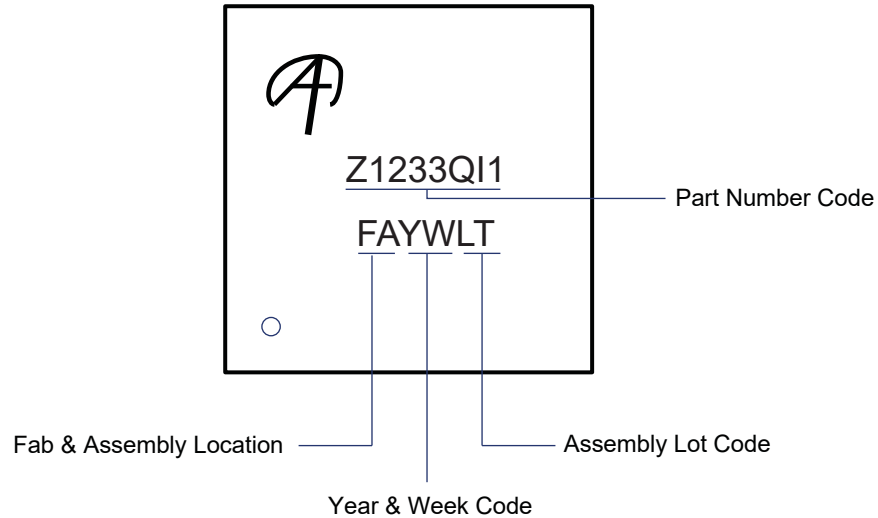
| Tape Size | Reel Size | M              | N             | W                 | W1                | H             | K            | S           | G | R | V |
|-----------|-----------|----------------|---------------|-------------------|-------------------|---------------|--------------|-------------|---|---|---|
| 12mm      | ø330      | ø330.0<br>±2.0 | ø79.0<br>±1.0 | 12.4<br>+2.0/-0.0 | 17.0<br>+2.6/-1.2 | ø13.0<br>±0.5 | 10.5<br>±0.2 | 2.0<br>±0.5 | - | - | - |

### Leader/Trailer and Orientation





**Part Marking**



**LEGAL DISCLAIMER**

Applications or uses as critical components in life support devices or systems are not authorized. AOS does not assume any liability arising out of such applications or uses of its products. AOS reserves the right to make changes to product specifications without notice. It is the responsibility of the customer to evaluate suitability of the product for their intended application. Customer shall comply with applicable legal requirements, including all applicable export control rules, regulations and limitations.

AOS' products are provided subject to AOS' terms and conditions of sale which are set forth at: [http://www.aosmd.com/terms\\_and\\_conditions\\_of\\_sale](http://www.aosmd.com/terms_and_conditions_of_sale)

**LIFE SUPPORT POLICY**

ALPHA AND OMEGA SEMICONDUCTOR PRODUCTS ARE NOT AUTHORIZED FOR USE AS CRITICAL COMPONENTS IN LIFE SUPPORT DEVICES OR SYSTEMS.

As used herein:

- |   |   |
|---|---|
| <p>1. Life support devices or systems are devices or systems which, (a) are intended for surgical implant into the body or (b) support or sustain life, and (c) whose failure to perform when properly used in accordance with instructions for use provided in the labeling, can be reasonably expected to result in a significant injury of the user.</p> | <p>2. A critical component in any component of a life support, device, or system whose failure to perform can be reasonably expected to cause the failure of the life support device or system, or to affect its safety or effectiveness.</p> |
|---|---|