

THE INFORMATION CONTAINED HEREIN IS CONSIDERED "PROPRIETARY" TO BEL FUSE INC. AND SHALL NOT BE COPIED, REPRODUCED OR DISCLOSED WITHOUT THE WRITTEN APPROVAL OF BEL FUSE INC.

RoHS



ELECTRICAL CHARACTERISTICS @ 25°C

URNS RATIO

TX 1CT : 1  
RX 1CT : 1

QCL @ 100kHz/100mVRMS

8mA DC BIAS 350µH MIN.

INS. LOSS

1MHz TO 100MHz -1.0 dB MAX

RET. LOSS (MIN)

1MHz-30MHz -18 dB  
30MHz-60MHz -18+20LOG(F/30MHz) dB  
60MHz-80MHz -12 dB

CROSS TALK (TX - RX)

500kHz-1MHz -70 dB MIN  
10 MHz -50 dB MIN  
30 MHz -45 dB MIN  
50 MHz -40 dB MIN  
100 MHz -35 dB MIN

CM TO CM REJ

100kHz-1MHz -70 dB MIN  
10 MHz -47 dB MIN  
30 MHz -42 dB MIN  
60 MHz -37 dB MIN  
100 MHz -30 dB MIN

CM TO DM REJ

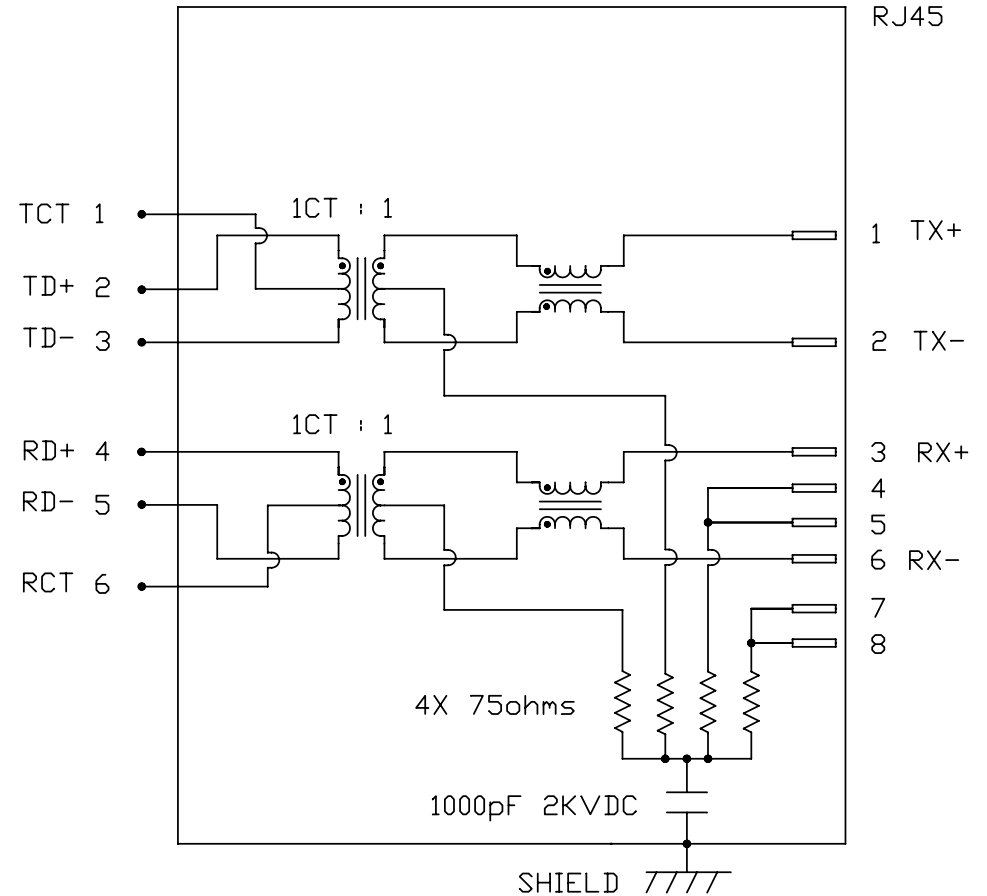
100kHz-1MHz -70 dB MIN  
10 MHz -60 dB MIN  
30 MHz -50 dB MIN  
60 MHz -45 dB MIN  
100 MHz -40 dB MIN

HIPOT (Isolation Voltage):

1500 Vrms

100% OF PRODUCTION TESTED TO COMPLY WITH IEEE 802.3 ISOLATION REQUIREMENTS.

SCHEMATIC



ORIGINATED BY	DATE
CHOW WANCHUNG	2012-08-29
DRAWN BY	DATE
TAN QIGUANG	2012-08-29

TITLE
1X4 MagJack® FOR MDIX
08B1-1X4T-06-F
PATENTED

PART NO. / DRAWING NO.
08B11X4T06-F
FILE NAME
08B11X4T06-F_B.DWG

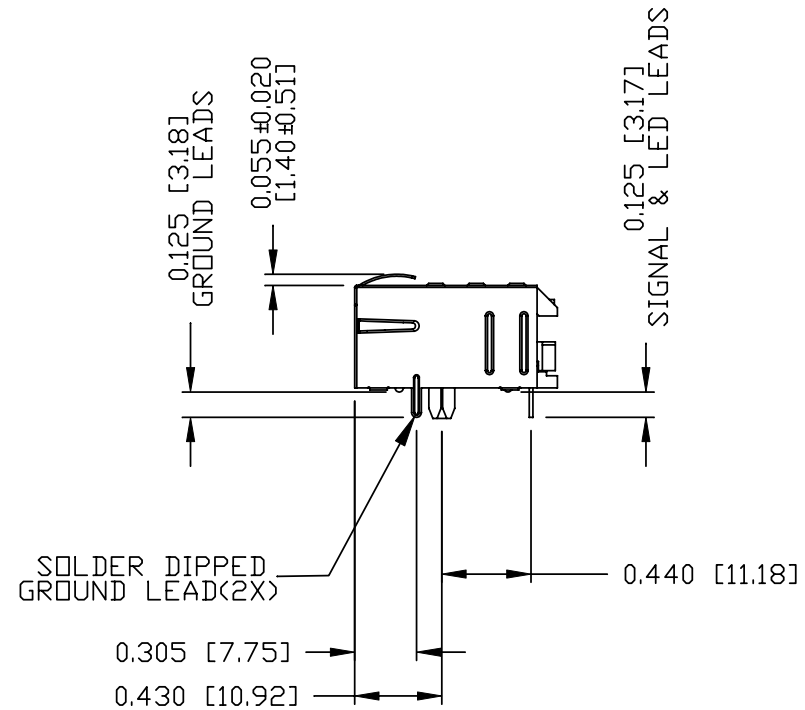
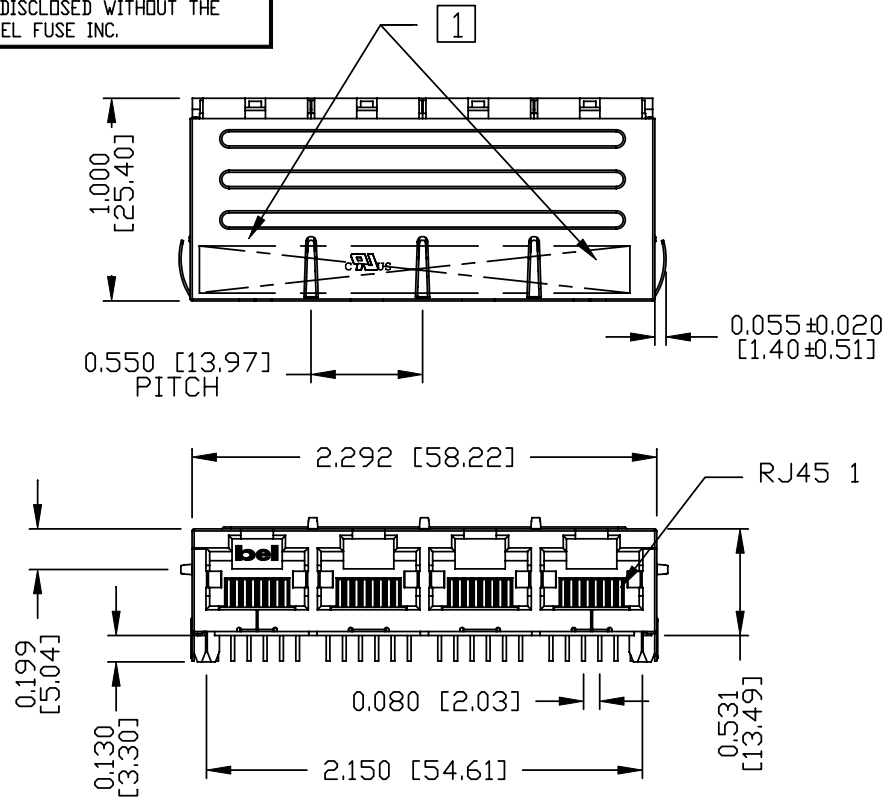
STANDARD DIM. TOL. IN INCH
.X
.XX
.XXX

[ ] METRIC DIM. AS REFERENCE	REV. : B
UNIT : INCH [mm]	SIZE : A4
SCALE : N/A	PAGE : 2



THE INFORMATION CONTAINED HEREIN IS CONSIDERED "PROPRIETARY" TO BEL FUSE INC. AND SHALL NOT BE COPIED, REPRODUCED OR DISCLOSED WITHOUT THE WRITTEN APPROVAL OF BEL FUSE INC.

RoHS



**NOTES:**

- PLASTIC HOUSING: THERMOPLASTIC PBT
  - CONTACTS PLATING: 15 MICRO-INCH HARD GOLD PLATING OR EQUIVALENT.
  - PINS: TIN-COATED COPPER WIRE, DIA 0.018 INCH.
  - METAL SHIELD: NICKEL PLATED ON COPPER ALLOY.
- (ALL GROUND LEADS ARE SOLDER DIPPED)

[1] MARK PART WITH MFG LOGO, MFG NAME, PART NUMBER, DATE CODE AND PATENTED.

- 1. THE PRODUCT IS RoHS COMPLIANT.
- 2. THE PRODUCT IS PATENT PRODUCT. THE PATENT NUMBER IS U.S. PAT. 5,736,910.

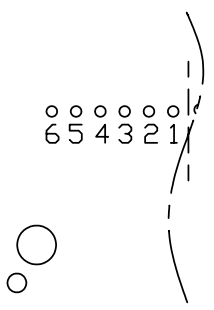
ORIGINATED BY	DATE	TITLE	PART NO. / DRAWING NO.	STANDARD DIM. TOL. IN INCH	[ ] METRIC DIM. AS REFERENCE
ANTON LIAO	2012-08-29	1X4 MagJack® FOR MDIX	08B11X4T06-F	.X	UNIT : INCH [mm] REV. : B
DRAWN BY	DATE	08B1-1X4T-06-F	FILE NAME	.XX	SCALE : N/A SIZE : A4
HE ZHEN	2012-08-29	PATENTED	08B11X4T06-F_B.DWG	.XXX ±0.010	⊕ - - - PAGE : 3



THE INFORMATION CONTAINED HEREIN IS CONSIDERED "PROPRIETARY" TO BEL FUSE INC. AND SHALL NOT BE COPIED, REPRODUCED OR DISCLOSED WITHOUT THE WRITTEN APPROVAL OF BEL FUSE INC.

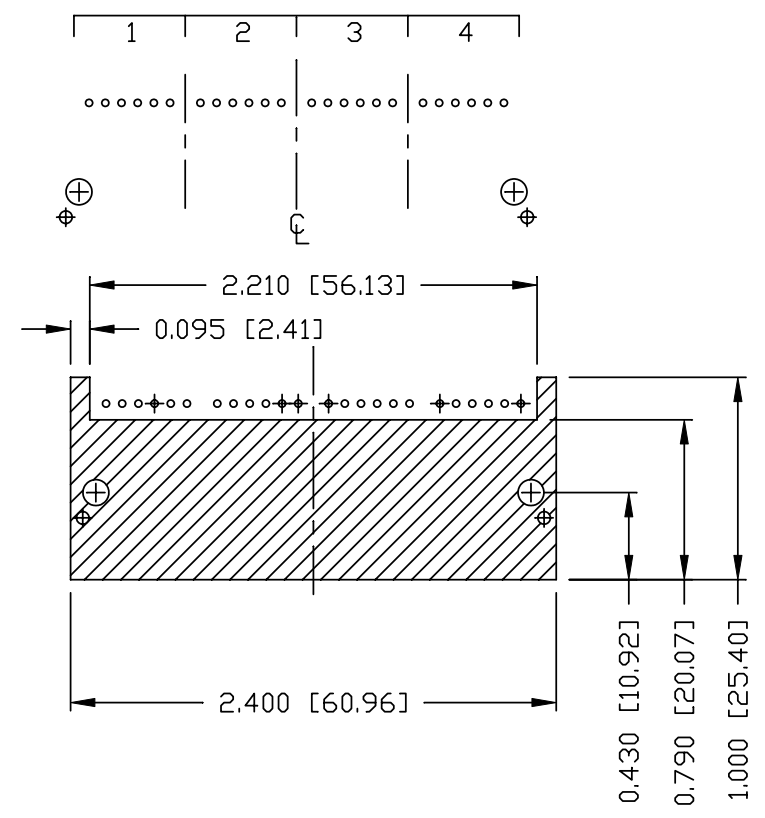


PIN ASSIGNMENT - EACH PORT  
COMPONENT SIDE VIEW



6	RCT
5	RD -
4	RD +
3	TD -
2	TD +
1	TCT

RECOMMENDED PCB FOOTPRINT  
COMPONENT SIDE VIEW



THE SHADED AREA ON THE CUSTOMER BOARD ARE RECOMMENDED TO BE CLEAR OFF ANY VIA HOLE OR COMPONENT PAD.

<b>ORIGINATED BY</b> ANTON LIAO	<b>DATE</b> 2012-08-29	<b>TITLE</b> 1X4 MagJack® FOR MDIX 08B1-1X4T-06-F PATENTED	<b>PART NO. / DRAWING NO.</b> 08B11X4T06-F	<b>STANDARD DIM. TOL. IN INCH</b>	<b>[ ] METRIC DIM. AS REFERENCE</b>	
<b>DRAWN BY</b> HE ZHEN	<b>DATE</b> 2012-08-29		<b>FILE NAME</b> 08B11X4T06-F_B.DWG	.X .XX .XXX	UNIT : INCH [mm] SCALE : N/A	REV. : B SIZE : A4 PAGE : 4



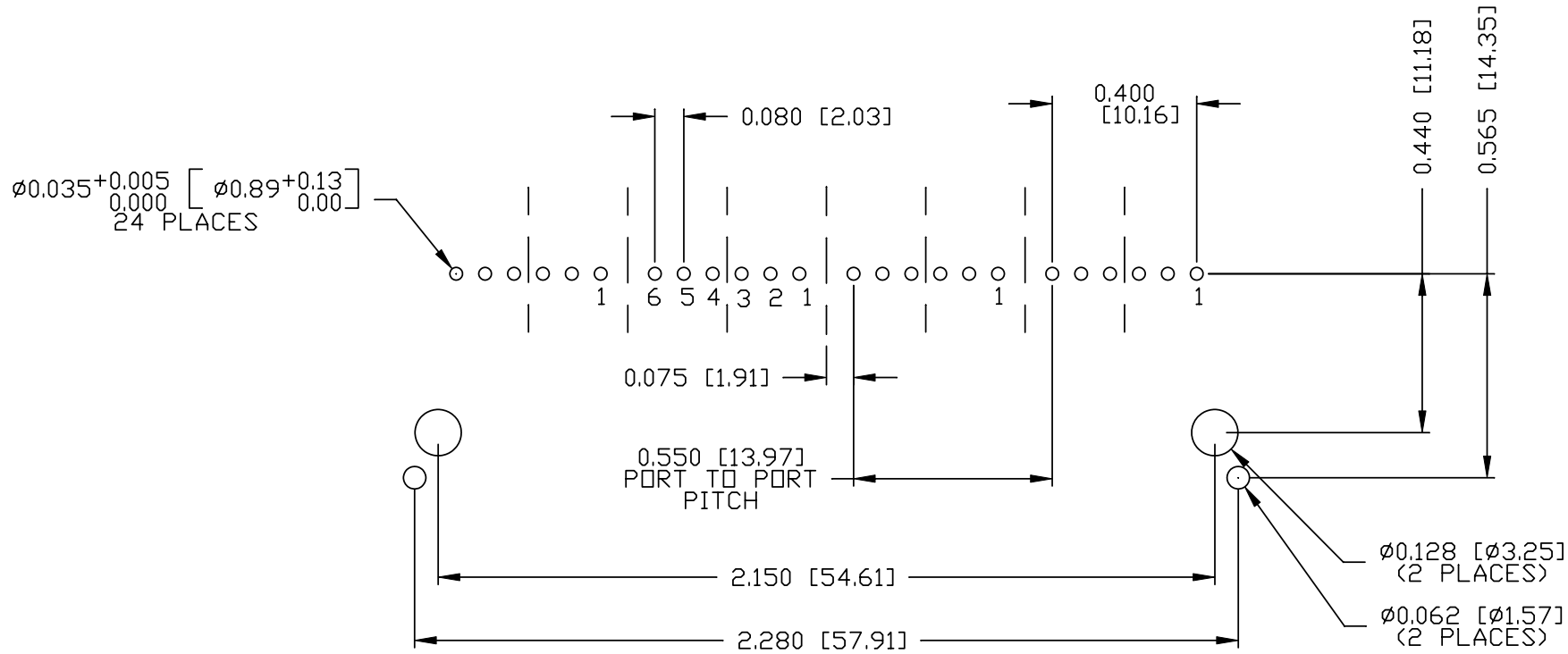
THE INFORMATION CONTAINED HEREIN IS CONSIDERED "PROPRIETARY" TO BEL FUSE INC. AND SHALL NOT BE COPIED, REPRODUCED OR DISCLOSED WITHOUT THE WRITTEN APPROVAL OF BEL FUSE INC.

RoHS



RECOMMENDED PCB FOOTPRINT

COMPONENT SIDE VIEW



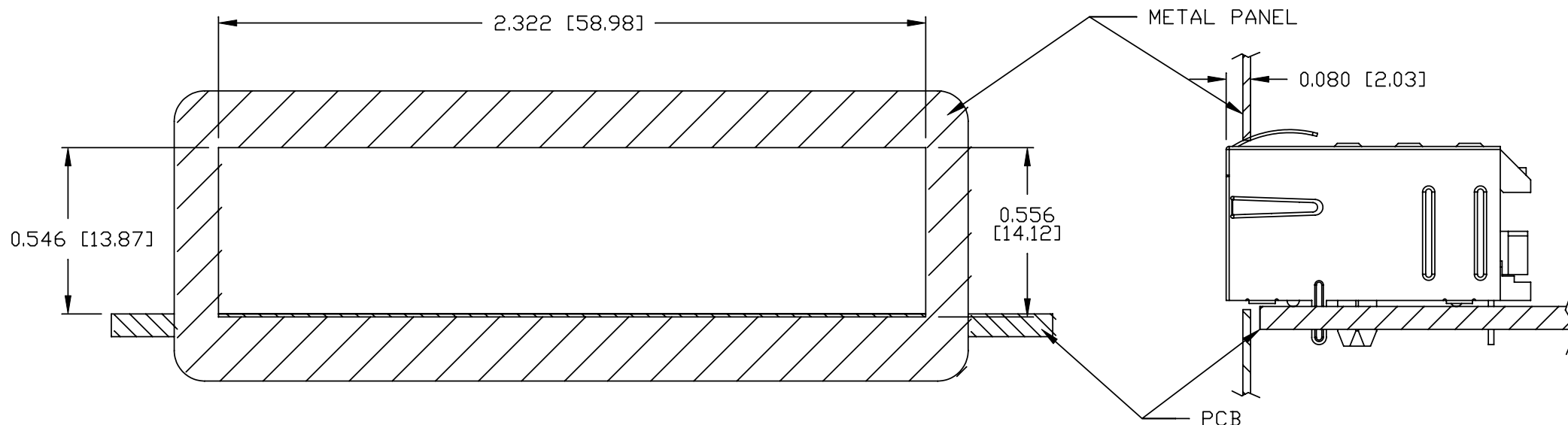
ORIGINATED BY	DATE	TITLE	PART NO. / DRAWING NO.	STANDARD DIM.		[ ] METRIC DIM. AS REFERENCE		bel
ANTON LIAO	2012-08-29			TOL. IN INCH	UNIT : INCH [mm]	REV. : B		
DRAWN BY	DATE	08B1-1X4T-06-F PATENTED	FILE NAME	.X	SCALE : N/A	SIZE : A4	PAGE : 5	COMPONENTS FOR A CONNECTED PLANET
HE ZHEN	2012-08-29			08B11X4T06-F				
			08B11X4T06-F_B.DWG	.XXX				

THE INFORMATION CONTAINED HEREIN IS CONSIDERED "PROPRIETARY" TO BEL FUSE INC. AND SHALL NOT BE COPIED, REPRODUCED OR DISCLOSED WITHOUT THE WRITTEN APPROVAL OF BEL FUSE INC.

RoHS



SUGGESTED PANEL OPENING



NOTES:

THE DISTANCE OF PANEL INSIDE SURFACE RELATIVE TO FRONT SURFACE OF PART IS ONLY A SUGGESTION. IN CASE THIS DISTANCE IS DIFFERENT, THE REQUIRED PANEL OPENING DIMENSIONS CHANGE ACCORDINGLY.

PACKING INFORMATION

PACKING TRAY : 0200-0148-17

PACKING QUANTITY : 30 PCS FINISHED GOODS PER TRAY.

10 TRAYS (300 PCS FINISHED GOODS) PER CARTON BOX.

NOTE : CARDBOARDS ARE PLACED BETWEEN LAYERS OF PACKING TRAY INSIDE CARTON BOX.

(INCLUDE THE UPPERMOST AND LOWERMOST TRAY)

ORIGINATED BY ANTON LIAO	DATE 2012-08-29	TITLE 1X4 MagJack® FOR MDIX 08B1-1X4T-06-F PATENTED	PART NO. / DRAWING NO. 08B11X4T06-F	STANDARD DIM. TOL. IN INCH	[ ] METRIC DIM. AS REFERENCE	bel COMPONENTS FOR A CONNECTED PLANET
DRAWN BY HE ZHEN	DATE 2012-08-29		FILE NAME 08B11X4T06-F_B.DWG	.X .XX .XXX	UNIT : INCH [mm] SCALE : N/A	