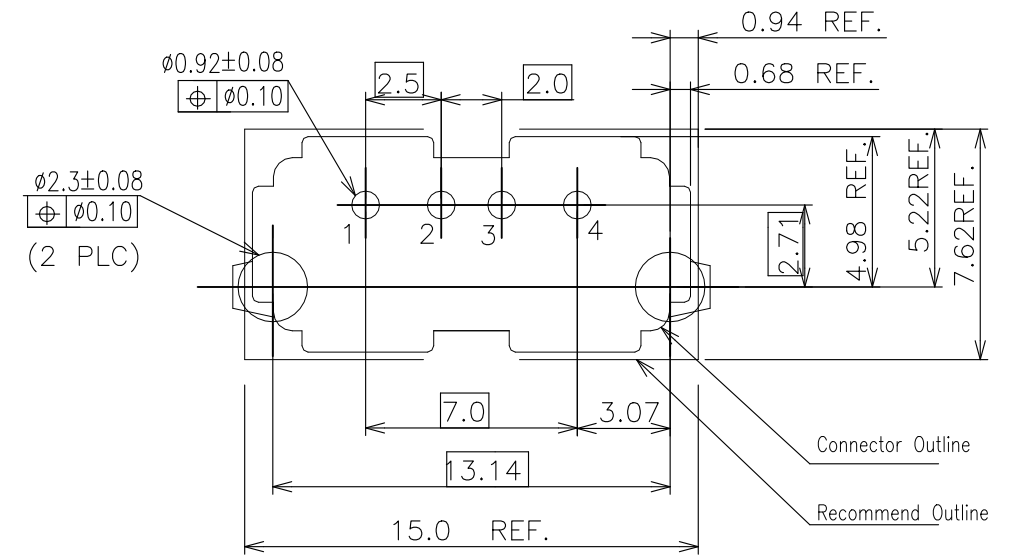
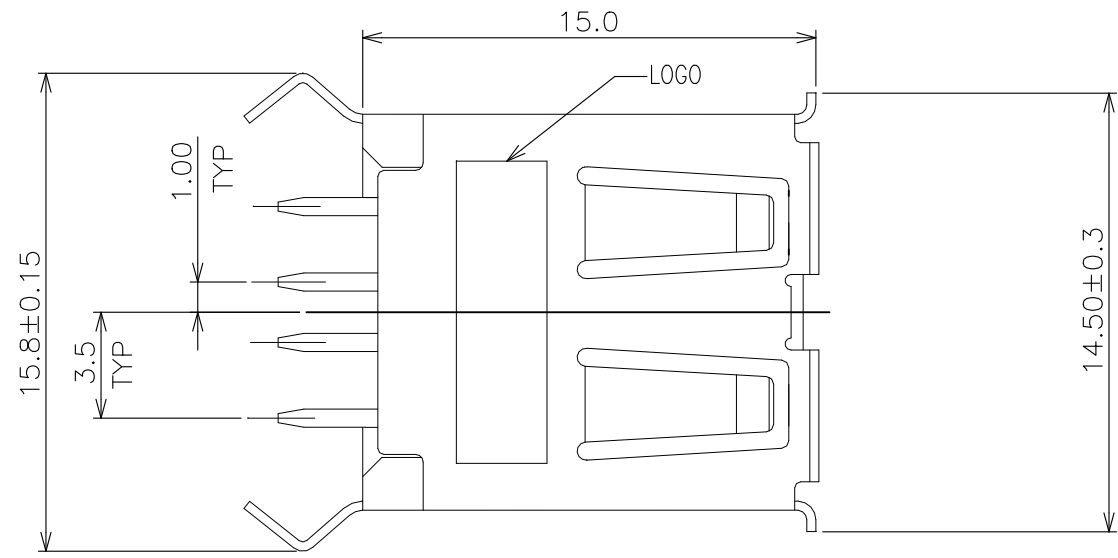


REVISIONS					
P	LTR	DESCRIPTION	DATE	DWN	APVD
D		REVISED PER ECO-21-001024	26JUL21	JY	SH

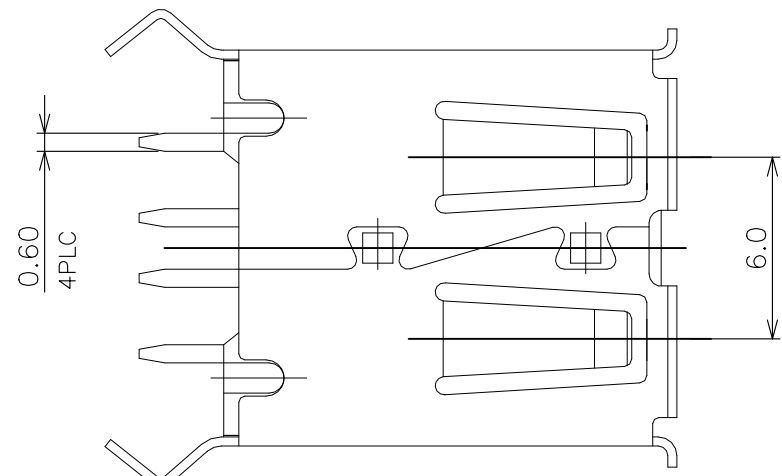
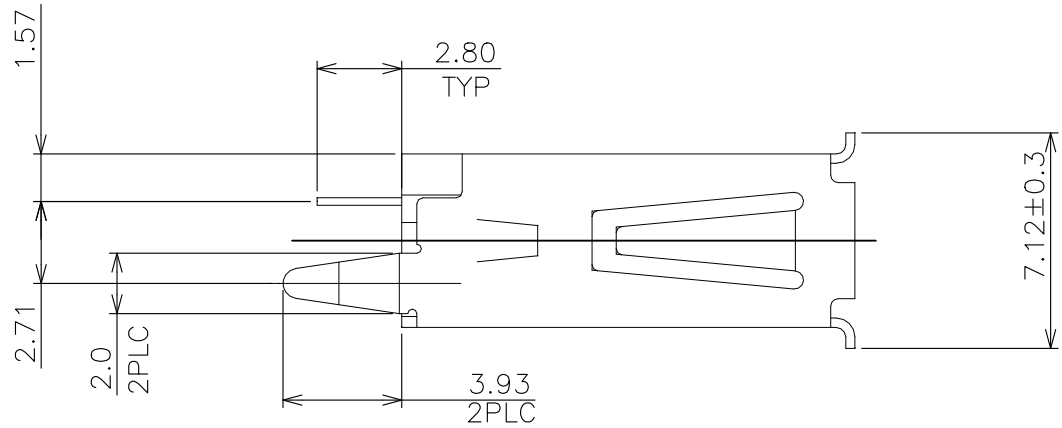
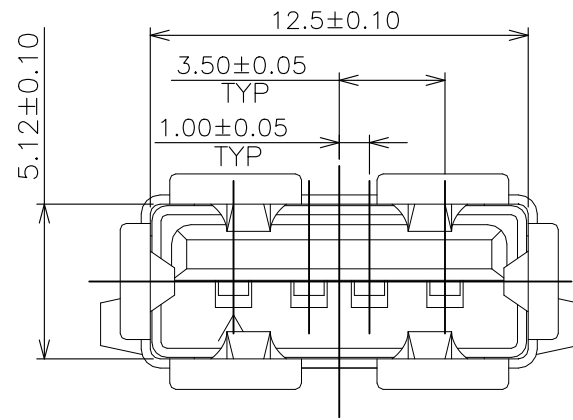


RECOMMENDED P.C. BOARD LAYOUT(T=1.6)

(TOP VIEW)(TOLERANCE:±0.05)

NOTE:

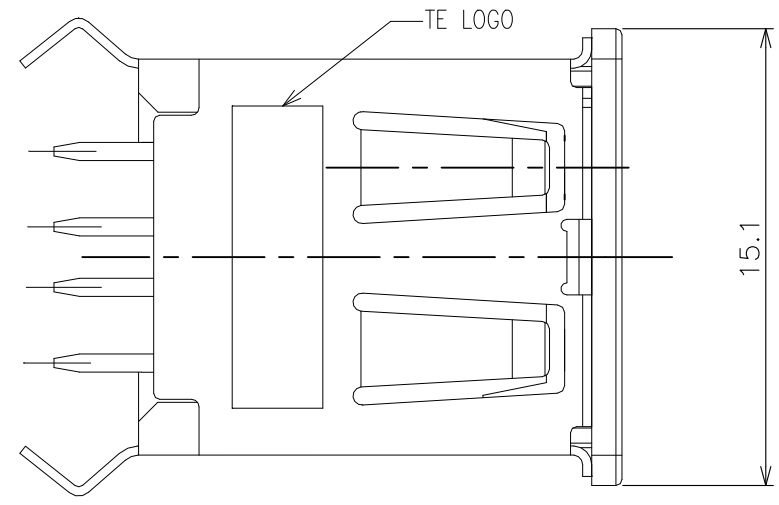
- MATERIAL:
 - HOUSING: PBT(SOLDER CAPABLE,UL 94-V0,COLOR:SEE TABLE.)
 - HOUSING: PA9T(REFLOW CAPABLE,UL 94-V0,COLOR:SEE TABLE.)
 - CAP: LCP(REFLOW CAPABLE,UL 94-V0,COLOR:BLACK.)
 - BACK STOPPER: PBT(SOLDER CAPABLE,UL 94-V0,COLOR:BLACK.)
 - CONTACT: PHOSPHOR BRONZE, THICKNESS =0.25mm.
 - SHIELD: STAINLESS STEEL, THICKNESS=0.30mm.
- FINISH:
 - CONTACT:GOLD FLASH OVER
 - 0.762um[30u"]MIN. PALLADIUM-NICKEL PLATED ON CONTACT
 - 2.54um[100u"]MIN. MATTE-TIN ON SOLDER TAILS,
 - 1.27um[50u"]MIN. NICKEL UNDERPLATED ALL OVER.
 - SHIELD: 2.54um [100u"] MIN. TIN PLATED OVER
 - 1.27um [50u"] MIN. NICKEL UNDERPLATED
 - SHIELD: 0.762-2.03um [30-80u"] SOLDERABLE NICKEL OVER 0.762-2.03um [30-80u"] COPPER



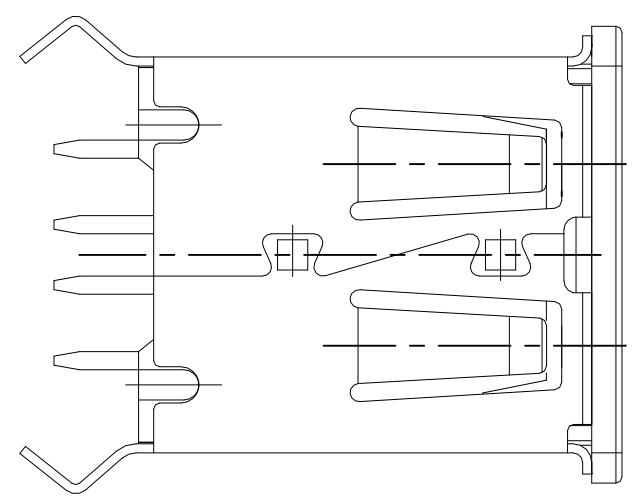
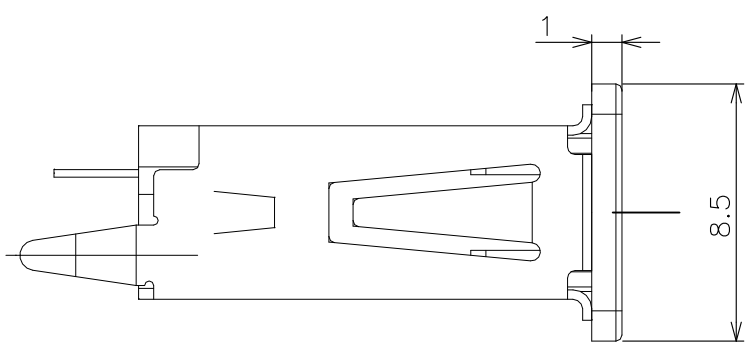
SEE SHEET 4	BLACK	1734366-5	△	△
SEE SHEET 5	BLACK	1734366-4	△	△
	BLUE	1734366-3		
SEE SHEET 4	WHITE	1734366-2	△	△
	BLACK	1734366-1		
PACKING	HSG'S COLOR	PART NUMBER	HOUSING MATERIAL	SHIELD FINISH

THIS DRAWING IS A CONTROLLED DOCUMENT.		DWN S. CHIEN 19SEP2008	TE Connectivity RECEIPT ASSY,VERTICAL,4POSITION THRU-HOLE,TYPE A USB			
DIMENSIONS: mm		CHK S. CHIEN 19SEP2008				
TOLERANCES UNLESS OTHERWISE SPECIFIED:		APVD W.KODAMA - NAME	PRODUCT SPEC 108-57547			
0 PLC ± 0.38 1 PLC ± 0.25 2 PLC ± 0.13 3 PLC ± 0.05 4 PLC ± - ANGLES ± 2°		PRODUCT SPEC 501-57635	SIZE	CAGE CODE	DRAWING NO	
MATERIAL SEE NOTES		FINISH SEE NOTES	WEIGHT 1.82 GRAMS	A3	00779	G-1734366
		CUSTOMER DRAWING	SCALE 1:1	SHEET 1 OF 6	REV D	

REVISIONS					
P	LTR	DESCRIPTION	DATE	DWN	APVD
	-	SEE SHEET 1	-	-	-



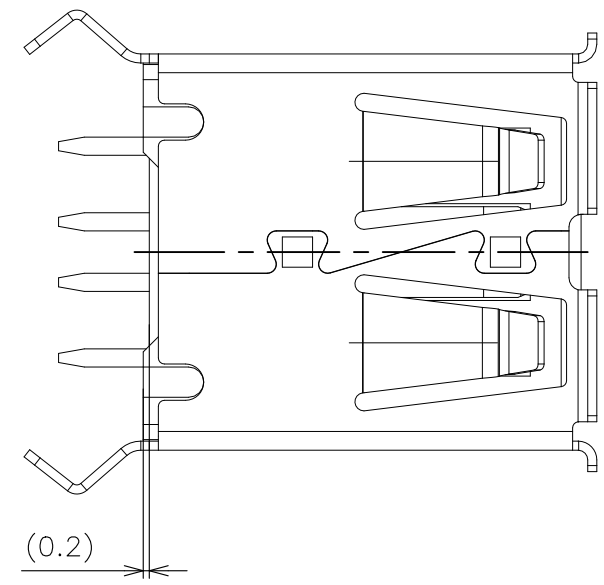
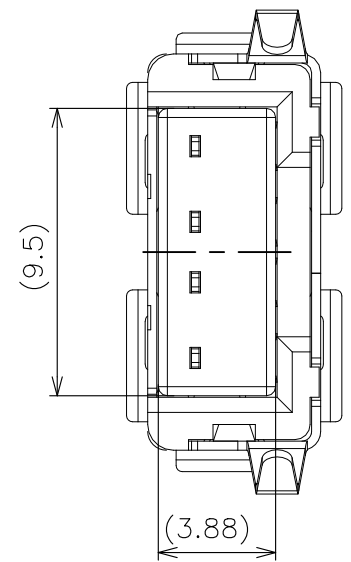
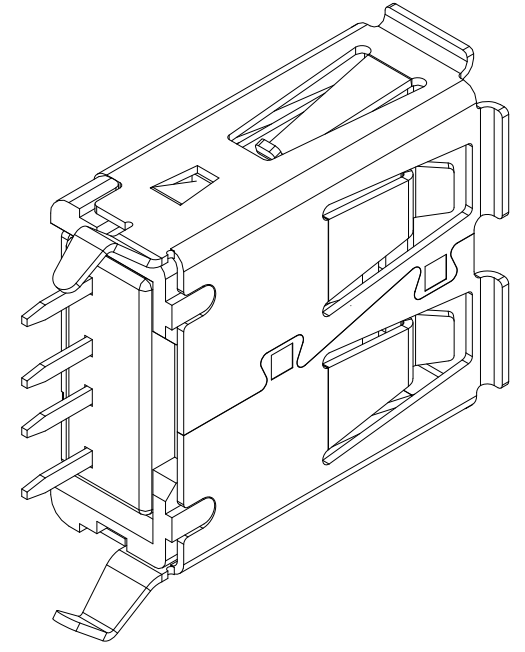
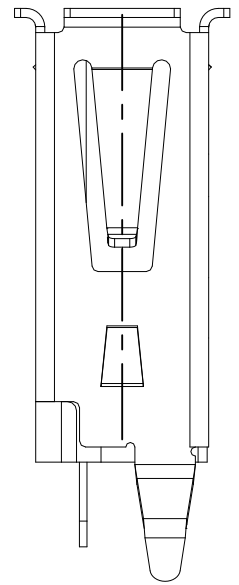
1734366-6 AS SHOW
OTHER DIMENSIONS ARE THE SAME AS SHEET1



SEE SHEET 6	BLACK	1734366-6	△	△
PACKING	HSG'S COLOR	PART NUMBER	HOUSING MATERIAL	SHIELD FINISH

THIS DRAWING IS A CONTROLLED DOCUMENT.		DWN S. CHIEN 19SEP2008			
		CHK S. CHIEN 19SEP2008			
DIMENSIONS: mm		TOLERANCES UNLESS OTHERWISE SPECIFIED: 0 PLC ± 0.38 1 PLC ± 0.25 2 PLC ± 0.13 3 PLC ± 0.05 4 PLC ± - ANGLES ± 2°		NAME RECEIPT ASSY,VERTICAL,4POSITION THRU-HOLE,TYPE A USB	
		APVD W.KODAMA PRODUCT SPEC 108-57547		SIZE A3	
MATERIAL SEE NOTES		FINISH SEE NOTES		CAGE CODE 00779	
		APPLICATION SPEC 501-57635		DRAWING NO C-1734366	
		WEIGHT 1.82 GRAMS		RESTRICTED TO -	
CUSTOMER DRAWING			SCALE 1:1	SHEET 2 OF 6	REV D

REVISIONS					
P	LTR	DESCRIPTION	DATE	DWN	APVD
-	-	SEE SHEET 1	-	-	-



1734366-7 AS SHOW
OTHER DIMENSIONS ARE THE SAME AS SHEET1

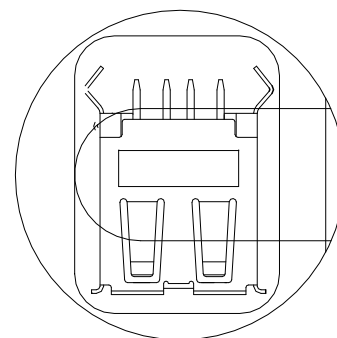
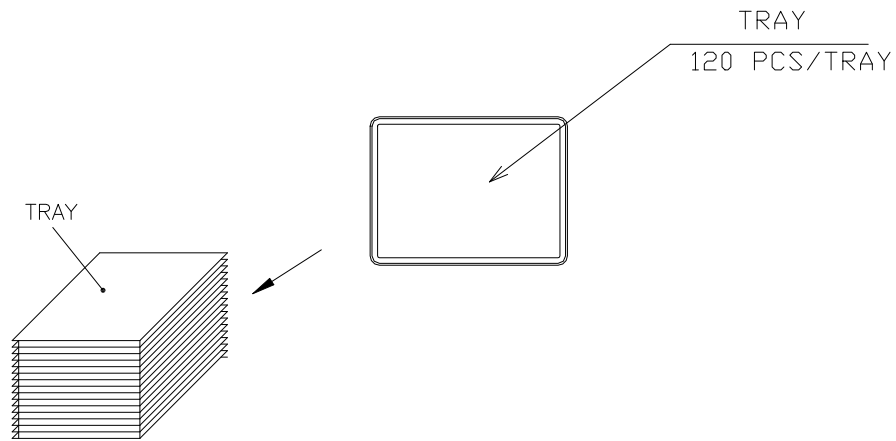
SEE SHEET 4	BLACK	1734366-7	△	△
PACKING	HSG'S COLOR	PART NUMBER	HOUSING MATERIAL	SHIELD FINISH

THIS DRAWING IS A CONTROLLED DOCUMENT.	
DIMENSIONS: mm	TOLERANCES UNLESS OTHERWISE SPECIFIED:
	0 PLC ± 0.38
	1 PLC ± 0.25
	2 PLC ± 0.13
	3 PLC ± 0.05
	4 PLC ± - ± 2°
MATERIAL SEE NOTES	FINISH SEE NOTES

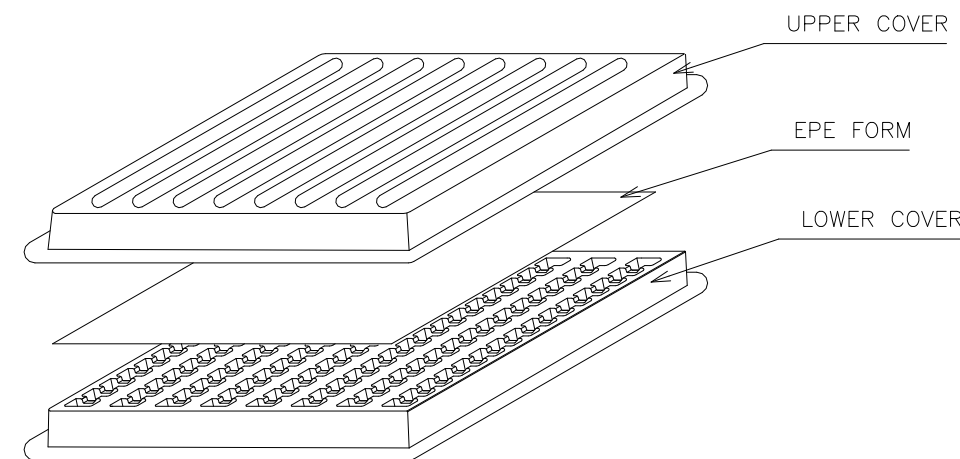
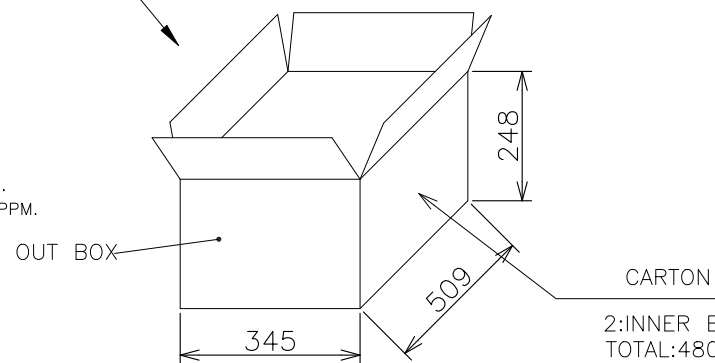
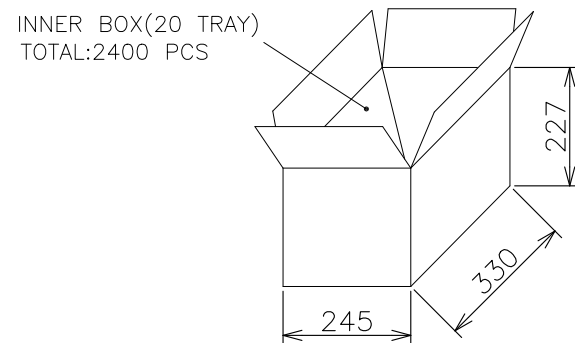
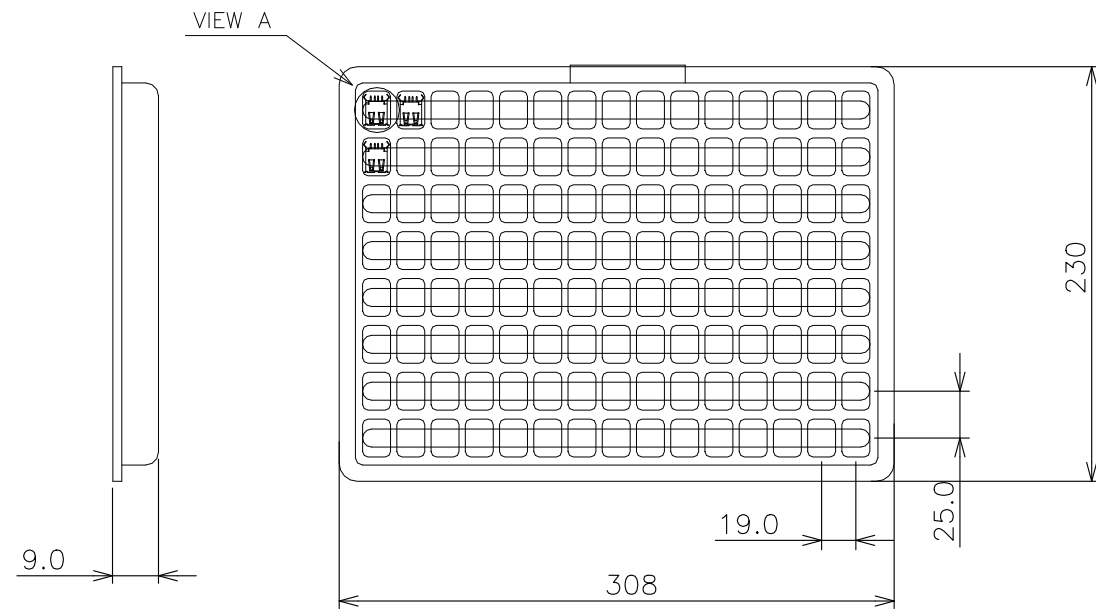
DWN S. CHIEN 19SEP2008				
CHK S. CHIEN 19SEP2008				
APVD W.KODAMA	NAME RECEPT ASSY,VERTICAL,4POSITION THRU-HOLE,TYPE A USB			
PRODUCT SPEC 108-57547	SIZE	CAGE CODE	DRAWING NO	RESTRICTED TO
APPLICATION SPEC 501-57635	A3	00779	C-1734366	-
WEIGHT 1.82 GRAMS	CUSTOMER DRAWING		SCALE 1:1	SHEET 3 OF 6
			REV D	

REVISIONS					
P	LTR	DESCRIPTION	DATE	DWN	APVD
	-	SEE SHEET 1	-	-	-

USE THE TAPE TO FIX THE TRAY(4X)



VIEW A:



NOTE :

- PACKAGING MATERIAL IN PLASTIC, RUBBER, INK, PIGMENT AND PAINT
MUST MEET CONTROLLED SUBSTANCES SPEC PER 230-702.
* CADMIUM AND CADMIUM COMPOUNDS NOT TO EXCEED:5 PPM.
* LEAD, CADMIUM, CHROM VI AND MERCURY NOT TO EXCEED:100 PPM (COMBINED).
- MATERIAL :
TRAY: PVC, UPPER COVER THICKNE=0.3MM.
LOWER COVER THICKNE=0.4MM

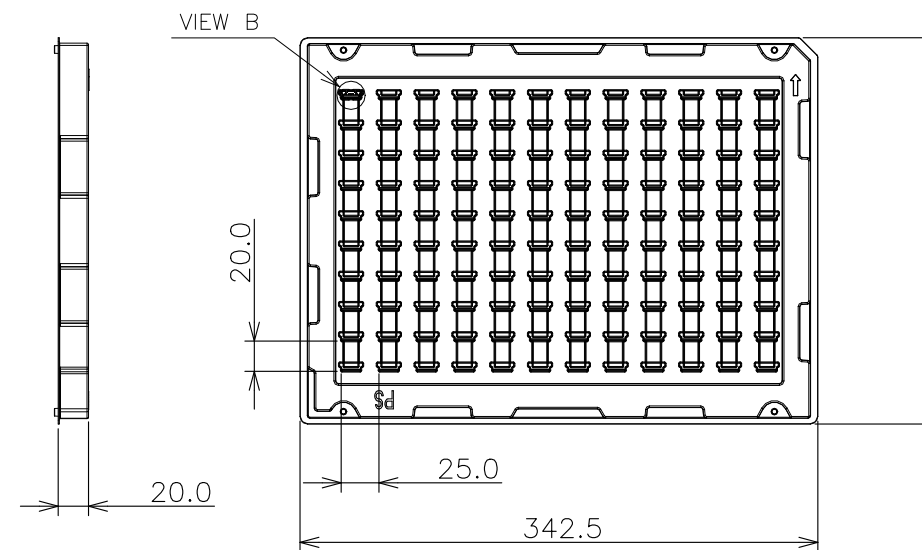
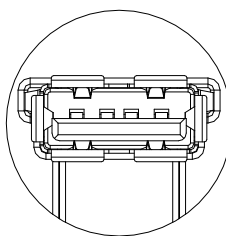
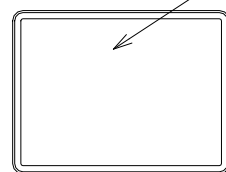
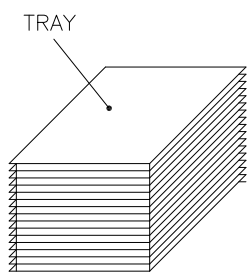
2: INNER BOX/CARTON
TOTAL: 4800 PCS
GROSS WEIGHT: 12.2 KGS
NET WEIGHT: 11.2 KGS

4800	1734366-7
4800	1734366-5
4800	1734366-2
4800	1734366-1
QTY	PART NUMBER

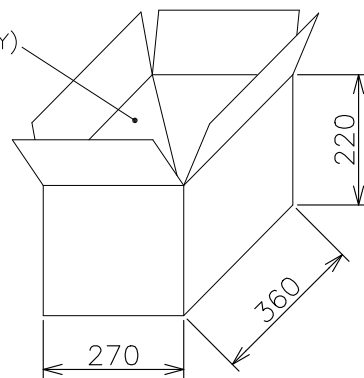
THIS DRAWING IS A CONTROLLED DOCUMENT.		DWN S. CHIEN 19SEP2008	TE Connectivity RECEIPT ASSY, VERTICAL, 4 POSITION THRU-HOLE, TYPE A USB		
DIMENSIONS: mm		CHK S. CHIEN 19SEP2008			
TOLERANCES UNLESS OTHERWISE SPECIFIED:		APVD W. KODAMA	PRODUCT SPEC		
0 PLC ± 0.38 1 PLC ± 0.25 2 PLC ± 0.13 3 PLC ± 0.05 4 PLC ± - ANGLES ± 2°		APPLICATION SPEC		RESTRICTED TO	
MATERIAL SEE NOTES		WEIGHT 1.82 GRAMS	SIZE A3	CAGE CODE 00779	DRAWING NO C-1734366
SEE NOTES		CUSTOMER DRAWING		SCALE 1:1	SHEET 4 OF 6
				REV D	

REVISIONS					
P	LTR	DESCRIPTION	DATE	DWN	APVD
-	-	SEE SHEET 1	-	-	-

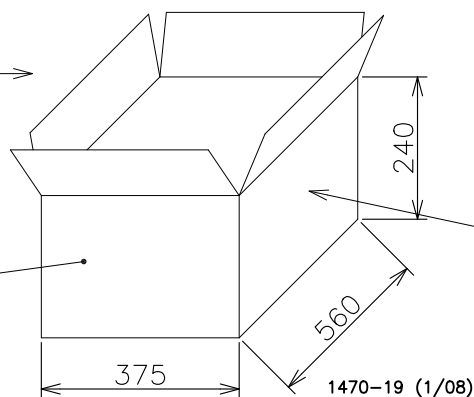
USE THE TAPE TO FIX THE TRAY(4X)



INNER BOX(10 TRAY)
TOTAL:1200 PCS

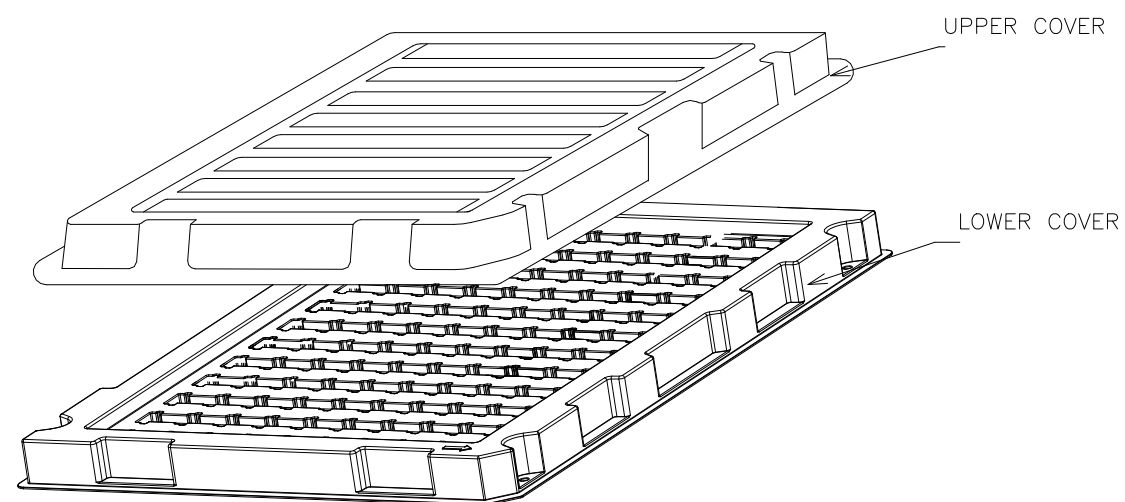


OUT BOX



CARTON

20 TRAYS/CARTON
TOTAL:2400PCS
GROSS WEIGHT:7.2KGS
NET WEIGHT:5.6KGS



NOTE :

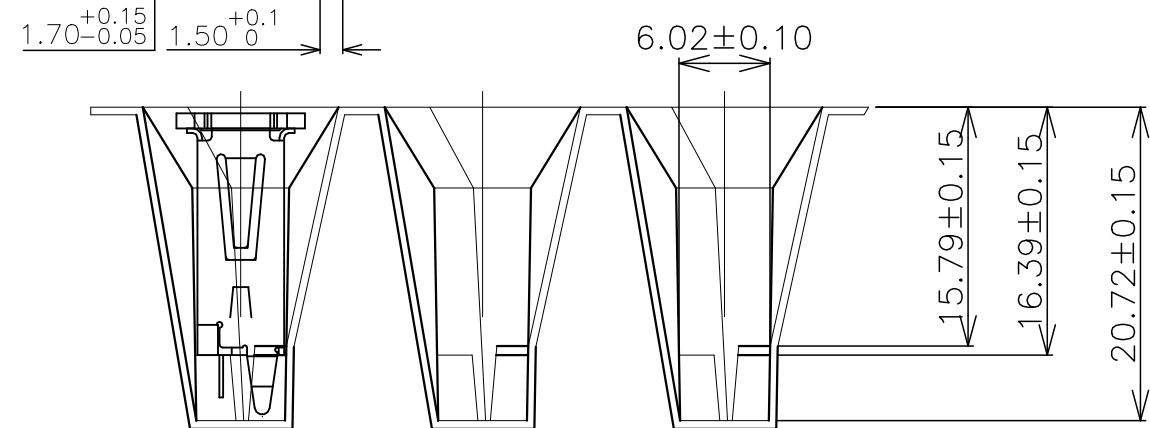
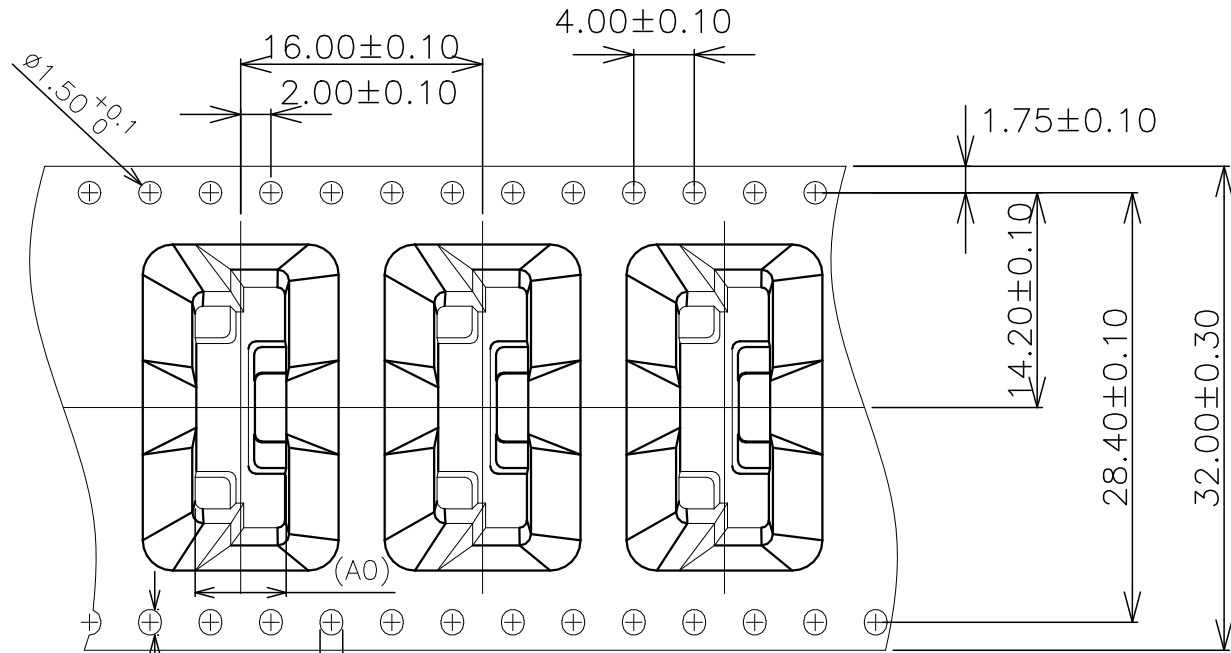
- PACKAGING MATERIAL IN PLASTIC, RUBBER,INK,PIGMENT AND PAINT
MUST MEET CONTROLLED SUBSTANCES SPEC PER 230-702.
* CADMIUM AND CADMIUM COMPOUNDS NOT TO EXCEED:5 PPM.
* LEAD,CADMIUM,CHROM VI AND MERCURY NOT TO EXCEED:100 PPM(COMBINED).
- MATERIAL :

TRAY: PS, UPPER COVER THICKNE=0.5MM.
LOWER COVER THICKNE=0.7MM

2400	1734366-4
2400	1734366-3
QTY	PART NUMBER

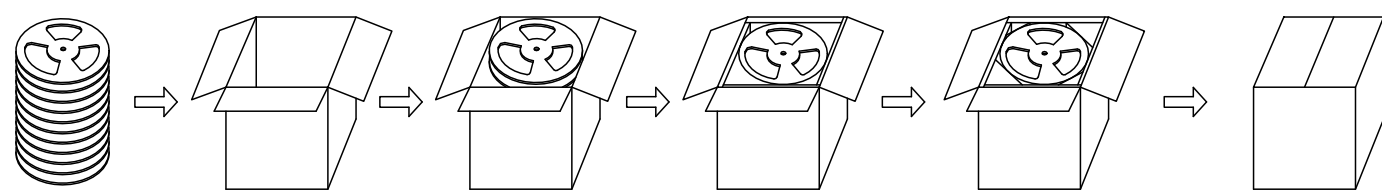
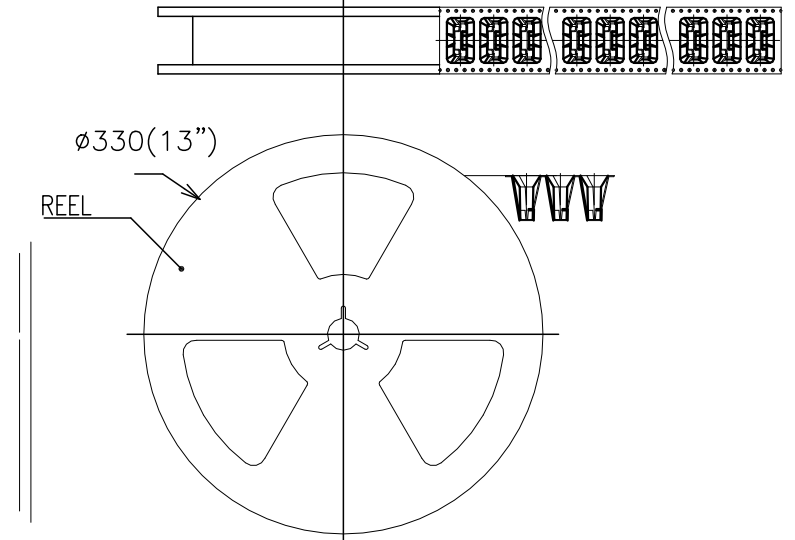
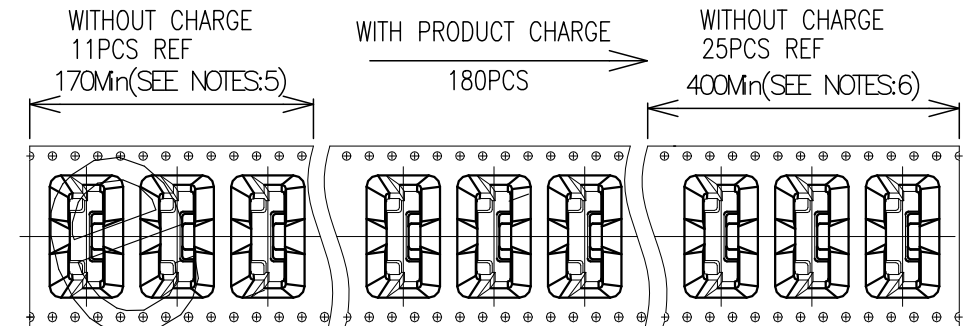
THIS DRAWING IS A CONTROLLED DOCUMENT.		DWN S. CHIEN 19SEP2008	TE Connectivity RECEIPT ASSY,VERTICAL,4POSITION THRU-HOLE,TYPE A USB													
DIMENSIONS: mm		CHK S. CHIEN 19SEP2008				NAME										
TOLERANCES UNLESS OTHERWISE SPECIFIED:		APVD W.KODAMA				PRODUCT SPEC										
<table border="1"> <tr><td>0 PLC</td><td>± 0.38</td></tr> <tr><td>1 PLC</td><td>± 0.25</td></tr> <tr><td>2 PLC</td><td>± 0.13</td></tr> <tr><td>3 PLC</td><td>± 0.05</td></tr> <tr><td>4 PLC</td><td>± -</td></tr> <tr><td>ANGLES</td><td>± 2'</td></tr> </table>		0 PLC				± 0.38	1 PLC	± 0.25	2 PLC	± 0.13	3 PLC	± 0.05	4 PLC	± -	ANGLES	± 2'
0 PLC	± 0.38															
1 PLC	± 0.25															
2 PLC	± 0.13															
3 PLC	± 0.05															
4 PLC	± -															
ANGLES	± 2'															
MATERIAL SEE NOTES		FINISH SEE NOTES	WEIGHT 1.82 GRAMS	501-57635	RESTRICTED TO											
CUSTOMER DRAWING			SIZE A3	CAGE CODE 00779	DRAWING NO C-1734366											
			SCALE 1:1	SHEET 5 OF 6	REV D											

P	LTR	DESCRIPTION	DATE	DWN	APVD
-	-	SEE SHEET 1	-	-	-



NOTE :

1. PACKAGING MATERIAL IN PLASTIC, RUBBER, INK, PIGMENT AND PAINT
MUST MEET CONTROLLED SUBSTANCES SPEC PER 230-702.
* CADMIUM AND CADMIUM COMPOUNDS NOT TO EXCEED: 5 PPM.
* LEAD, CADMIUM, CHROM VI AND MERCURY NOT TO EXCEED: 100 PPM (COMBINED).
2. MATERIAL :
REEL: BLACK CONDUCTIVE POLYSTYRENE ALLOY



OUT BOX PACKAGE DIAGEAM DRAWING

1440	1734366-6
QTY	PART NUMBER

THIS DRAWING IS A CONTROLLED DOCUMENT.		DWN S. CHIEN 19SEP2008	TE Connectivity RECEIPT ASSY, VERTICAL, 4 POSITION THRU-HOLE, TYPE A USB		
DIMENSIONS: mm		CHK S. CHIEN 19SEP2008			
TOLERANCES UNLESS OTHERWISE SPECIFIED:		APVD W. KODAMA	NAME		
0 PLC ± 0.38		PRODUCT SPEC	108-57547		
1 PLC ± 0.25		APPLICATION SPEC	501-57635		
2 PLC ± 0.13		WEIGHT	SIZE	CAGE CODE	DRAWING NO
3 PLC ± 0.05		1.82 GRAMS	A3	00779	C-1734366
4 PLC ± -		CUSTOMER DRAWING	RESTRICTED TO		
ANGLES ± 2°			SCALE	SHEET	REV
FINISH			1:1	6 OF 6	D
SEE NOTES					