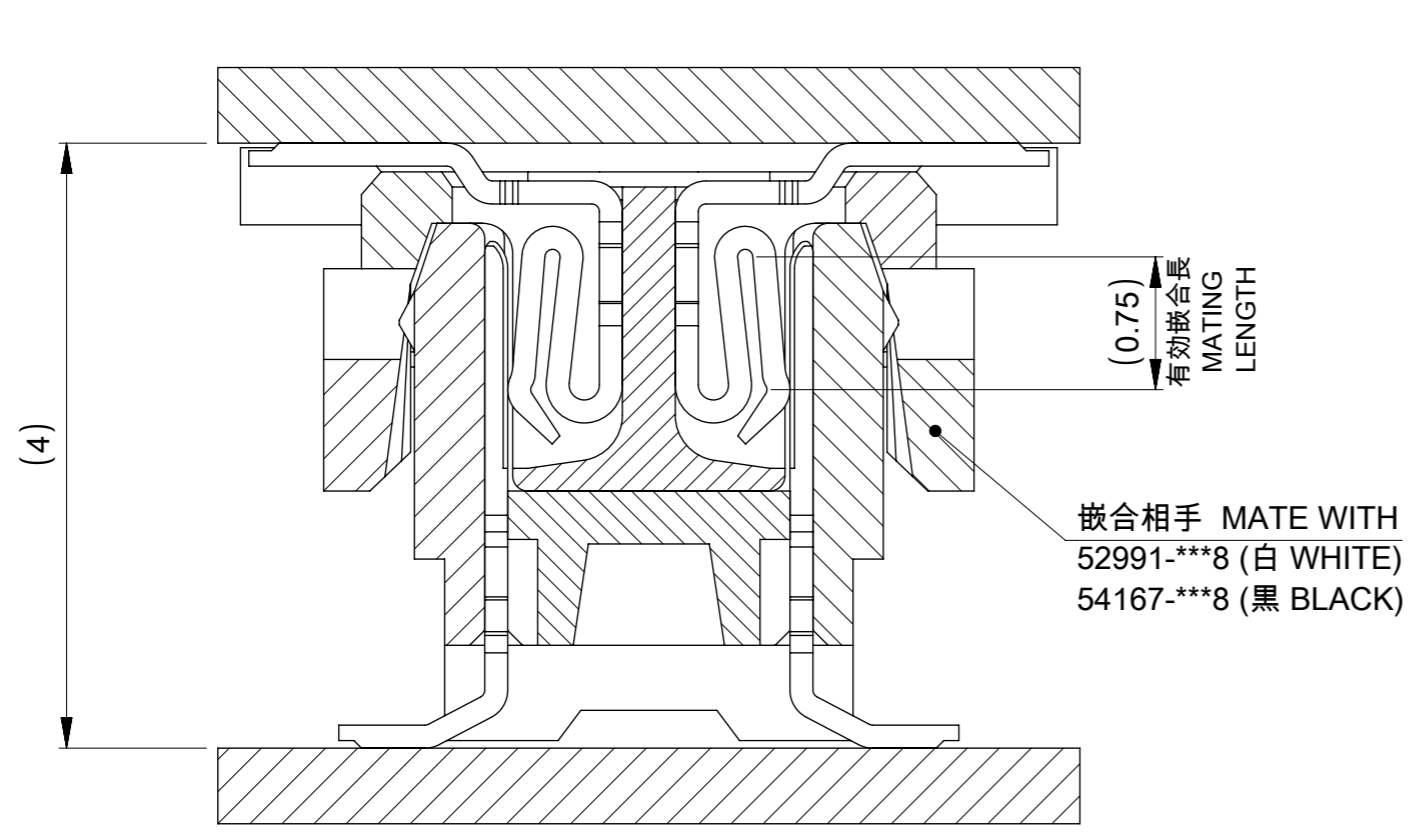


NOTES

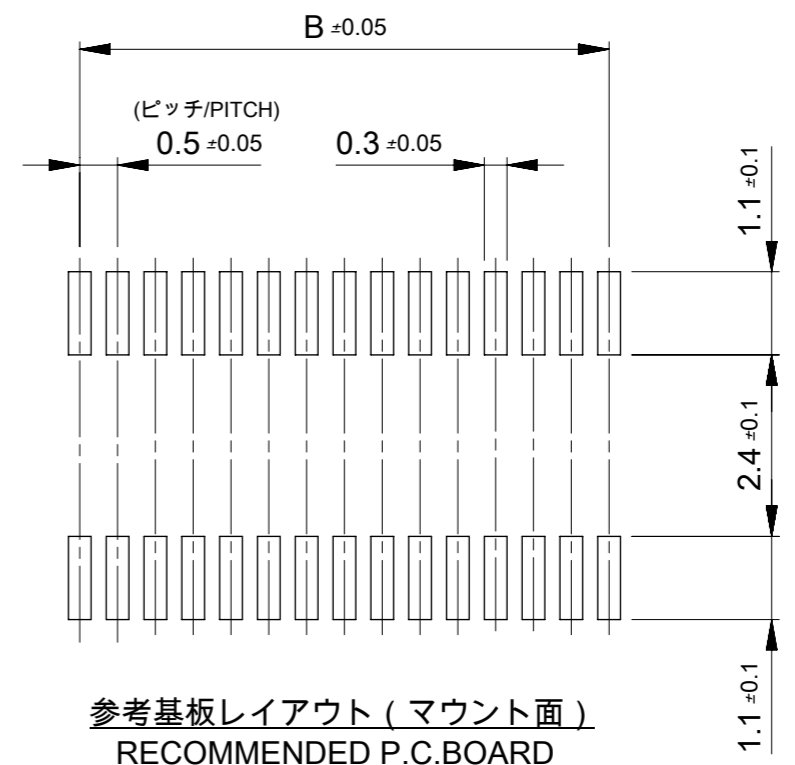
- 材質
MATERIAL
ハウジング : LCP (液晶ポリマー)、ガラス充填、黒色、UL94V-0
HOUSING: GLASS FILLED LIQUID CRYSTAL POLYMER, BLACK, UL94V-0
ターミナル : 銅合金 (t=0.15)
TERMINAL: COPPER ALLOY (t=0.15)
- メッキ仕様
PLATING
ターミナル
TERMINAL
接点部 : 金メッキ
CONTACT AREA: GOLD
半田付け部 : 錫メッキ
SOLDER TAIL AREA : TIN
下地メッキ : ニッケルメッキ
UNDER PLATING : NICKEL
- テール平坦度 : 0.1 MAXIMUM
COPLANARITY: 0.1 MAXIMUM
- ELV AND RoHS COMPLIANT.
- 嵌合相手 : 52991シリーズ (嵌合高さ = 4mm)、54167シリーズ (嵌合高さ = 4mm)
MATE WITH: 52991 SERIES (HEIGHT = 4mm), AND 54167 SERIES (HEIGHT = 4mm)

12.74	12	14.8	501920-5001	50
10.24	9.5	12.3	501920-4001	40
7.74	7.0	9.8	501920-3001	30
C	B	A	EMBOSSSED TAPE	極数
			ORDER No.	CIRCUIT
CONNECTOR SERIES No.			501920-**09	

THIS DRAWING CONTAINS INFORMATION THAT IS PROPRIETARY TO MOLEX ELECTRONIC TECHNOLOGIES, LLC AND SHOULD NOT BE USED WITHOUT WRITTEN PERMISSION		CURRENT REV DESC: REVISED		molex	
DIMENSION UNITS	SCALE	EC NO: 642297			
mm	10:1	DRWN: SUDAYGUNAGI		PRODUCT CUSTOMER DRAWING	
GENERAL TOLERANCES (UNLESS SPECIFIED)		CHK'D: HSHIMYOYAMA		DOCUMENT NUMBER	
ANGULAR TOL ± 10°		APPR: SHOSHIKAWA		SD-501920-001	
4 PLACES ± 0.2		INITIAL REVISION:		DOC TYPE	
3 PLACES ± 0.25		DRWN: M. I SOGAYA		DOC PART	
2 PLACES ± 0.3		APPR: M. SASAO		REVISION	
1 PLACE ± 0.1		2005/08/17		001	
0 PLACES ±		2005/08/17		C	
ANGULAR ± 1°		THIRD ANGLE PROJECTION		MATERIAL NUMBER	
DRAFT WHERE APPLICABLE MUST REMAIN WITHIN DIMENSIONS		DRAWING		CUSTOMER	
		A3-SIZE		GENERAL	
		SERIES		SHEET NUMBER	
		501920		1 OF 2	

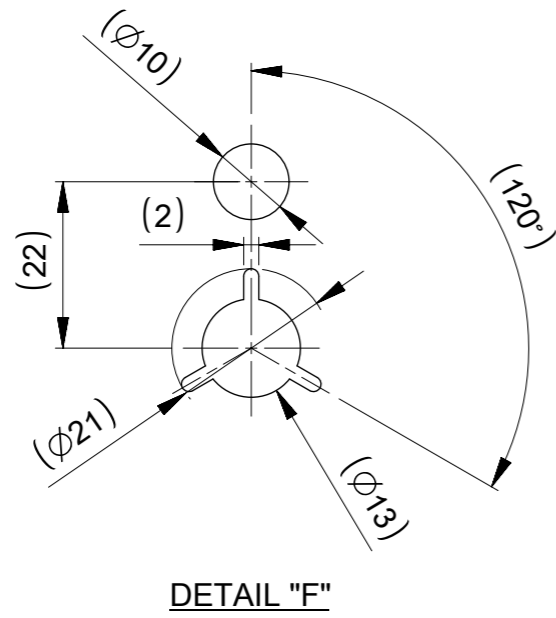
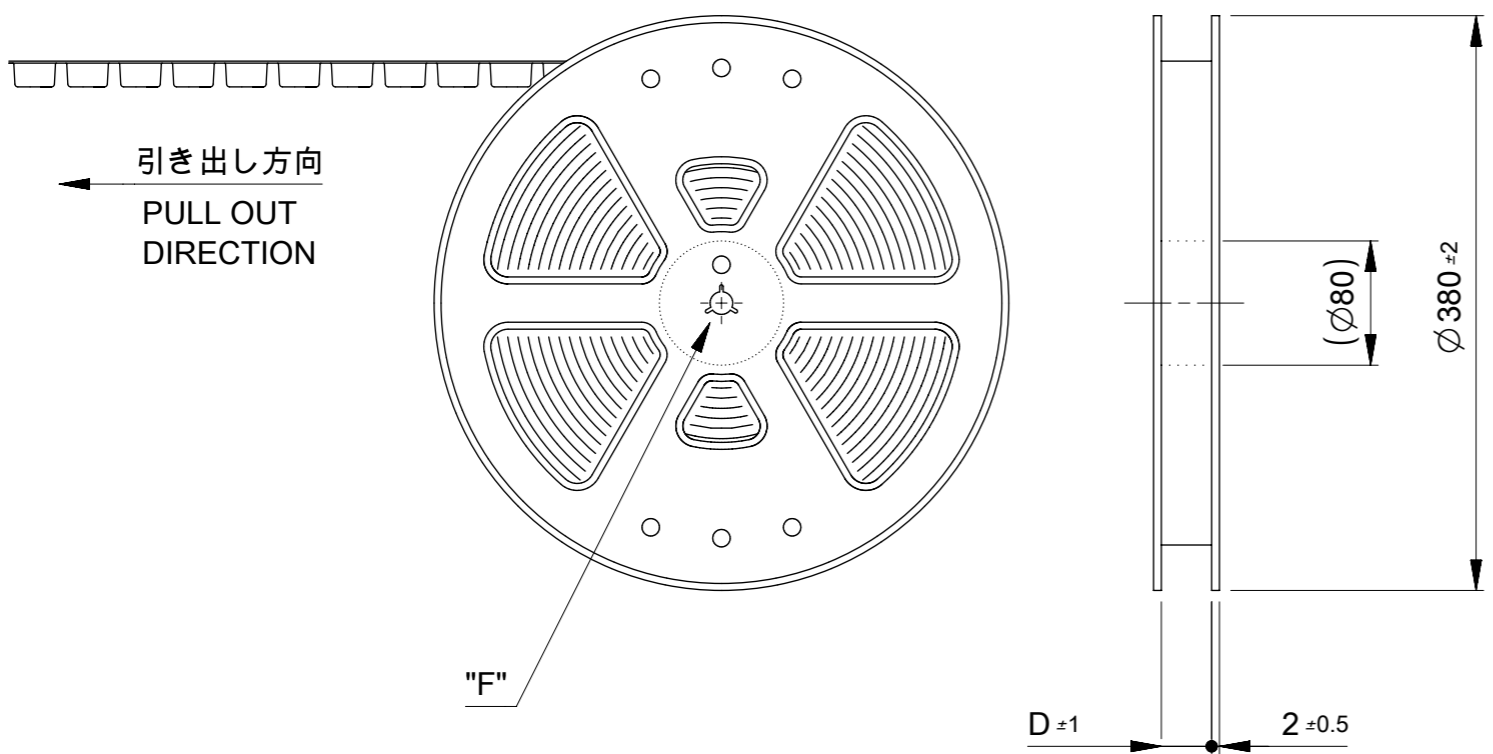


嵌合断面図 (参考)
MATED DRAWING (REF.)



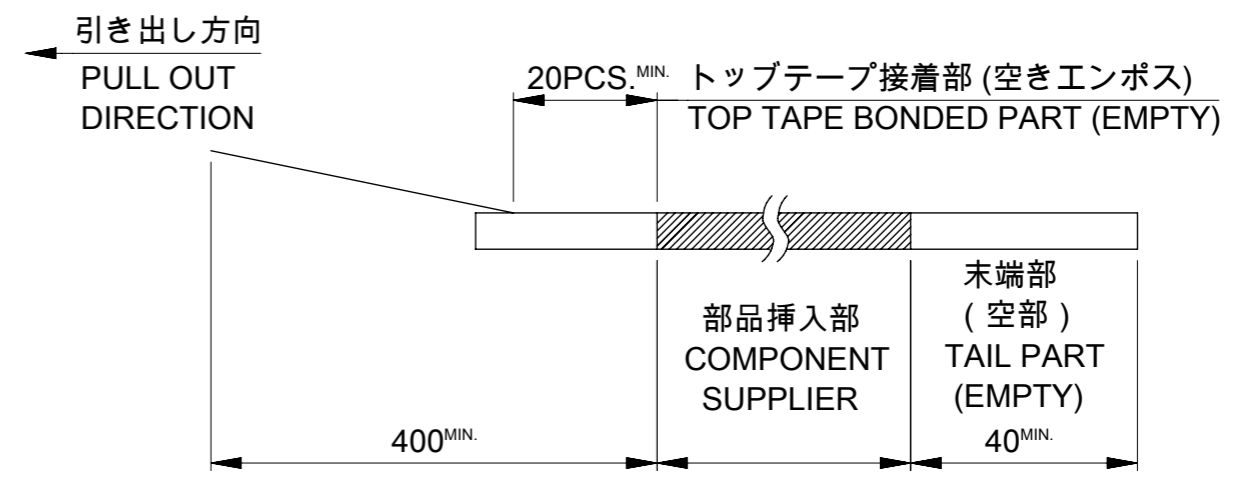
参考基板レイアウト (マウント面)
RECOMMENDED P.C.BOARD
PATTERN DIMENSION (REF.)
(MOUNTING AREA) (SCALE 10:1)

THIS DRAWING CONTAINS INFORMATION THAT IS PROPRIETARY TO MOLEX ELECTRONIC TECHNOLOGIES, LLC AND SHOULD NOT BE USED WITHOUT WRITTEN PERMISSION		CURRENT REV DESC: REVISED		molex	
DIMENSION UNITS: mm		SCALE: 20:1			
GENERAL TOLERANCES (UNLESS SPECIFIED)		GENERAL TOLERANCES (UNLESS SPECIFIED)		PRODUCT CUSTOMER DRAWING	
ANGULAR TOL ± 10°		ANGULAR TOL ± 10°		DOCUMENT NUMBER: SD-501920-001	
4 PLACES ± 0.2		4 PLACES ± 0.2		DOC TYPE: PSD	
3 PLACES ± 0.25		3 PLACES ± 0.25		DOC PART: 001	
2 PLACES ± 0.3		2 PLACES ± 0.3		REVISION: C	
1 PLACE ± 0.1		1 PLACE ± 0.1		MATERIAL NUMBER: SEE SHEET 1	
0 PLACES ±		0 PLACES ±		CUSTOMER: GENERAL	
DRAFT WHERE APPLICABLE MUST REMAIN WITHIN DIMENSIONS		DRAFT WHERE APPLICABLE MUST REMAIN WITHIN DIMENSIONS		SHEET NUMBER: 2 OF 2	
THIRD ANGLE PROJECTION		DRAWING: A3-SIZE		SERIES: 501920	
EC NO: 642297		DRWN: M. I SOGAYA		DATE: 2005/08/17	
DRWN: SUDAYGUNAGI		CHK'D: HSHIMYOYAMA		DATE: 2020/11/30	
APPR: SHOSHIKAWA		APPR: M. SASAO		DATE: 2005/08/17	



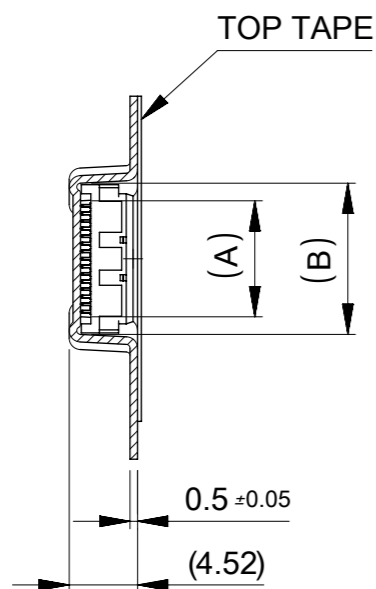
NOTES

- 製品詳細寸法については、製品単体図面を参照下さい。
DETAIL DIMENSIONS, SEE SD-501920-001
- 梱包数量：1500個 / リール
NUMBER OF CONNECTORS : 1500PCS/REEL
- リードテープ長さ
LEAD TAPE LENGTH

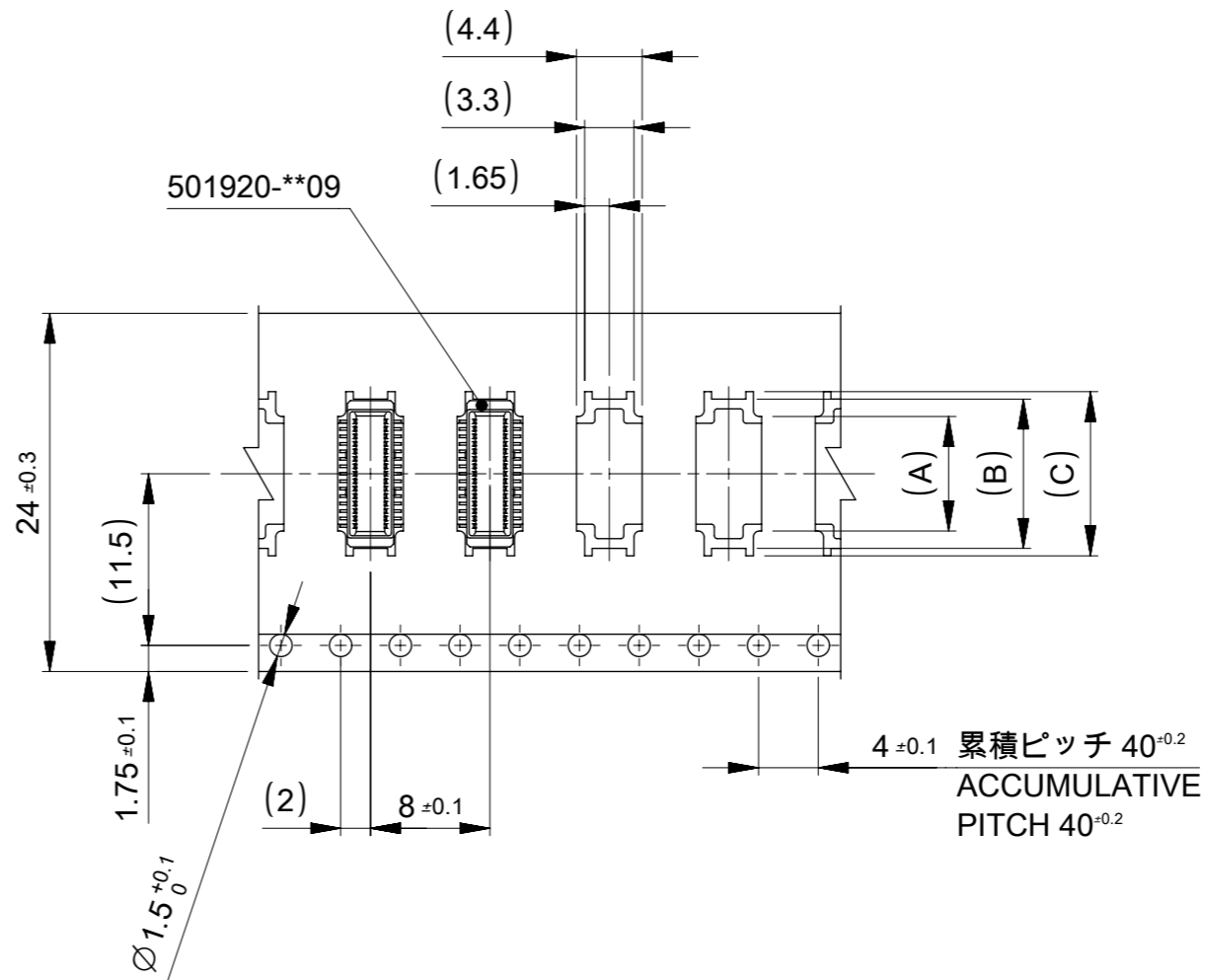


- カバートープの剥離強度については、IEC60286-3に準拠
COVER TAPE PEEL FORCE IS DEFINED BY IEC60286-3.
- 材料 MATERIAL
キャリアテープ：ポリプロピレン
トップテープ：PET, PE, PEF
リール：ポリスチレン (PS) <リサイクル材を含む>
CARRIER TAPE : POLYPROPYLENE
TOP TAPE : PET, PE, PEF
REEL : POLYSTYREN(PS) <RECYCLE MATERIAL CONTANED>
- ELV AND RoHS COMPLIANT.

THIS DRAWING CONTAINS INFORMATION THAT IS PROPRIETARY TO MOLEX ELECTRONIC TECHNOLOGIES, LLC AND SHOULD NOT BE USED WITHOUT WRITTEN PERMISSION		CURRENT REV DESC: REVISED		molex	
DIMENSION UNITS	SCALE	EC NO: 649457			
mm	---	DRWN: SUDAYGUNAGI 2020/08/10		PRODUCT CUSTOMER DRAWING	
GENERAL TOLERANCES (UNLESS SPECIFIED)		CHK'D: HSHIMUYAMA 2020/12/02		DOCUMENT NUMBER	
ANGULAR TOL ± 10°		APPR: SHOSHIKAWA 2020/12/02		SD-501920-002	
4 PLACES ± 0.2		INITIAL REVISION:		DOC TYPE	
3 PLACES ± 0.25		DRWN: M. I SOGAYA 2005/08/18		PSD	
2 PLACES ± 0.3		APPR: M. SASAO 2005/08/18		DOC PART	
1 PLACE ± 0.1		SERIES		001	
0 PLACES ±		501920		REVISION	
DRAFT WHERE APPLICABLE MUST REMAIN WITHIN DIMENSIONS		THIRD ANGLE PROJECTION		C	
DRAFT WHERE APPLICABLE MUST REMAIN WITHIN DIMENSIONS		DRAWING		SHEET NUMBER	
		A3-SIZE		1 OF 2	
		MATERIAL NUMBER		CUSTOMER	
		SEE SHEET 2		GENERAL	



引き出し方向
PULL OUT
DIRECTION

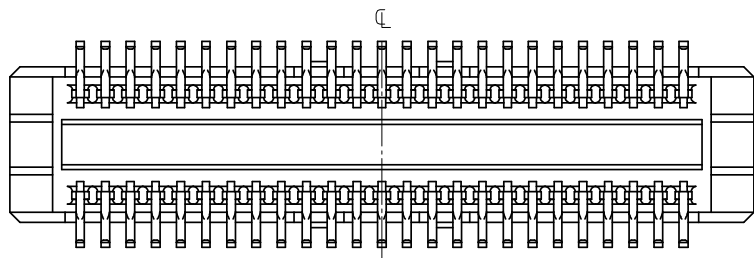
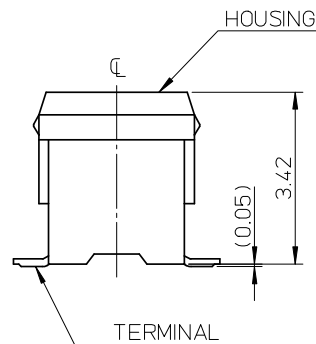
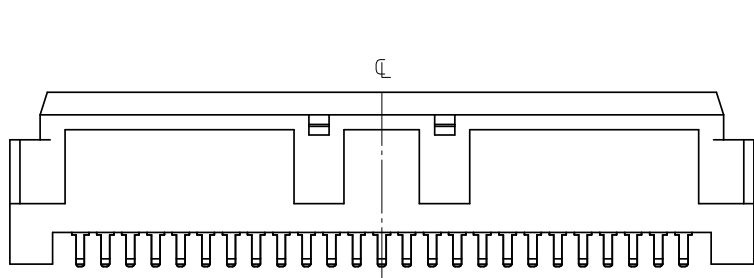
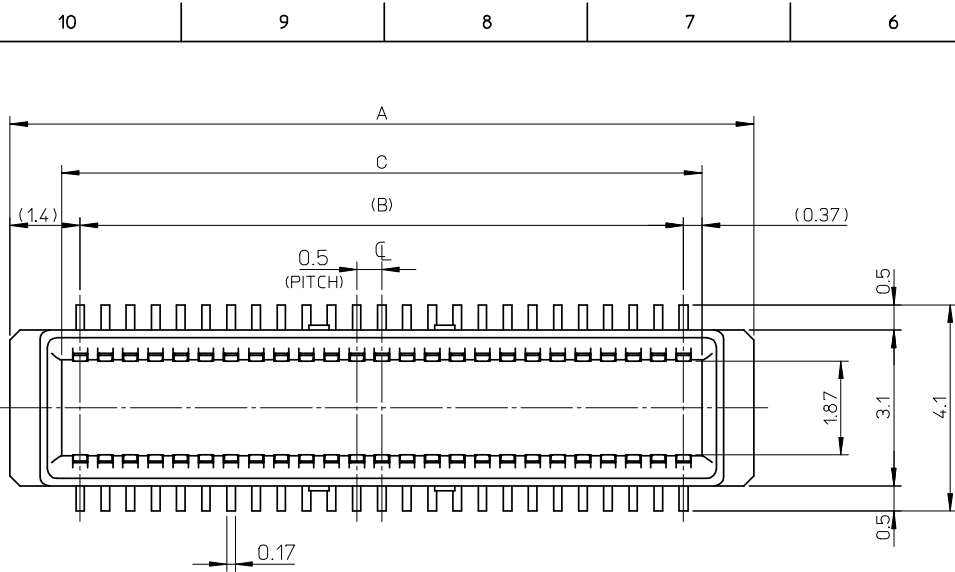


24mm 幅キャリアテープ
24mm WIDTH CARRIER TAPE

24	25.4	16.0	15.0	12.67	501920-5001	50
		13.5	12.5	10.17	501920-4001	40
		11.0	10.0	7.67	501920-3001	30
キャリアテープ幅 CARRIER TAPE WIDTH	D	(C)	(B)	(A)	MATERIAL NO.	CIRCUIT

THIS DRAWING CONTAINS INFORMATION THAT IS PROPRIETARY TO MOLEX ELECTRONIC TECHNOLOGIES, LLC AND SHOULD NOT BE USED WITHOUT WRITTEN PERMISSION

DIMENSION UNITS mm		SCALE ---		CURRENT REV DESC: REVISED		molex	
GENERAL TOLERANCES (UNLESS SPECIFIED)		ANGULAR TOL ± 10°		EC NO: 649457			
10 ^{UNDER} ± 0.2		4 PLACES ± 0.2		DRWN: SUDAYGUNAGI		2020/08/10	
10 ^{OVER} 30 ^{UNDER} ± 0.25		3 PLACES ± 0.25		CHK'D: HSHIMOYAMA		2020/12/02	
30 ^{OVER} ± 0.3		2 PLACES ± 0.3		APPR: SHOSHIKAWA		2020/12/02	
ANGULAR ± 1°		1 PLACE ± 0.1		INITIAL REVISION:		DOCUMENT NUMBER	
DRAFT WHERE APPLICABLE MUST REMAIN WITHIN DIMENSIONS		0 PLACES ±		DRWN: M. I SOGAYA		SD-501920-002	
		DRAFT WHERE APPLICABLE MUST REMAIN WITHIN DIMENSIONS		APPR: M. SASAO		PSD 001 C	
		THIRD ANGLE PROJECTION		DRAWING		SERIES	
		A3-SIZE		501920		MATERIAL NUMBER	
				CUSTOMER		GENERAL	
						SHEET NUMBER	
						2 OF 2	



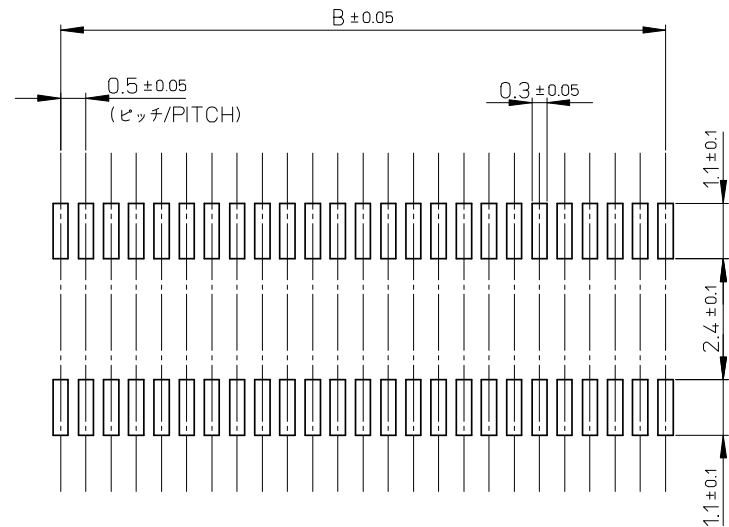
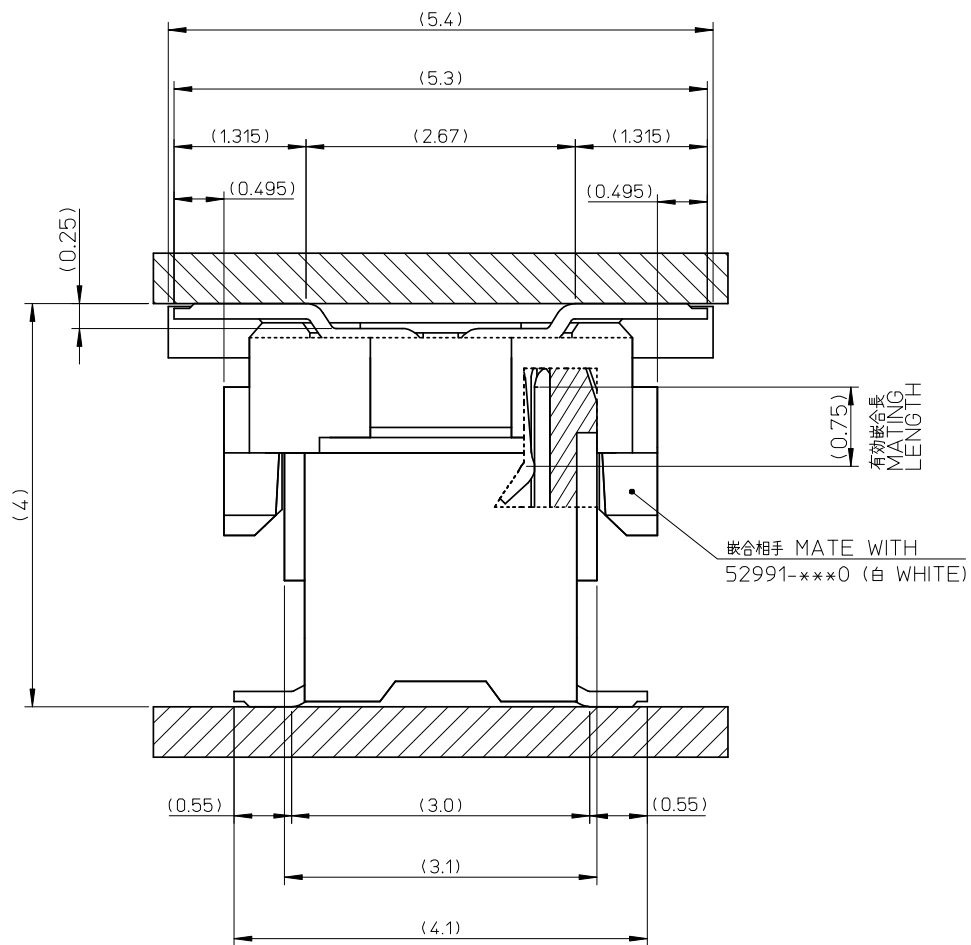
NOTES

- 1.材質
MATERIAL
ハウジング : LCP(液晶ポリマー)、ガラス充填、黒色、UL94V-0
HOUSING : GLASS FILLED LIQUID CRYSTAL POLYMER ,BLACK ,UL94V-0
ターミナル : 銅合金 (t=0.15)
TERMINAL : COPPER ALLOY (t=0.15)
- 2.メッキ仕様
PLATING
ターミナル
TERMINAL
接点部 : 金メッキ
CONTACT AREA : GOLD
半田付け部 : 錫メッキ
SOLDER TAIL AREA : TIN
下地メッキ : ニッケルメッキ
UNDER PLATING : NICKEL
- 3.テール平坦度 : 0.1 MAX.
COPLANARITY : 0.1 MAXIMUM
4. ELV AND RoHS COMPLIANT.

12.74	12.0	14.8	501920-5001	501920-5009	50
C	B	A	エンボス梱包 EMBOSSED TAPE PACKAGING	製品番号 MATERIAL NO.	CIRCUIT

REVISED EC NO: J2009-0002 DRWN:TKAIHO CHKD:THIRATA APPR:MSASAO	DESCRIPTION 2008/07/04 2008/07/04 2008/07/07	GENERAL TOLERANCES (UNLESS SPECIFIED)		DIMENSION STYLE MM ONLY		SCALE 10:1	DESIGN UNITS METRIC	501920-**09	MODEL NO.
		10 UNDER	±0.2	DRAWN BY TKAIHO	DATE 2008/01/28	THIRD ANGLE PROJECTION			
		10 OVER 30 UNDER	±0.25	CHECKED BY MSASAO	DATE 2008/01/29	0.5 PITCH B/B CONN. PLUG HSG ASSY			
		30 OVER	±0.3	APPROVED BY MSASAO	DATE 2008/01/29	MOLEX INCORPORATED			
A	REV	ANGULAR ±1 ° DRAFT WHERE APPLICABLE MUST REMAIN WITHIN DIMENSIONS	SEE TABLE	MATERIAL NO.	DOCUMENT NO. SD-501920-003	SHEET NO. 1 OF 2			

10 9 8 7 6 5 4 3 2 1



参考基板レイアウト (マウント面)
 RECOMMENDED P.C.BOARD
 PATTERN DIMENSION (REF.)
 (MOUNT AREA) (SCALE 10:1)

嵌合状態図(参考)
 MATED DRAWING (REF.)

REVISED EC NO: J2009-0002 DRWN:TKAIHO 2008/07/04 CHKD:THIRATA 2008/07/04 APPR:MSASAO 2008/07/07	GENERAL TOLERANCES (UNLESS SPECIFIED)		DIMENSION STYLE MM ONLY		501920-***09		MODEL NO.		
	10 UNDER	±0.2	DRAWN BY	DATE	SCALE	DESIGN UNITS	THIRD ANGLE PROJECTION		
	10 OVER 30 UNDER	±0.25	TKAIHO	2008/01/28	100:10	METRIC	TITLE		
	30 OVER	±0.3	CHECKED BY	DATE	0.5 PITCH B/B CONN. PLUG HSG ASSY				
A	ANGULAR ±1 °		APPROVED BY	DATE	MOLEX INCORPORATED				
	DRAFT WHERE APPLICABLE MUST REMAIN WITHIN DIMENSIONS		MSASAO	2008/01/29	DOCUMENT NO.		SHEET NO.		
			MATERIAL NO. SEE SHEET 1		SD-501920-003		2 OF 2		
		SIZE A3		THIS DRAWING CONTAINS INFORMATION THAT IS PROPRIETARY TO MOLEX INCORPORATED AND SHOULD NOT BE USED WITHOUT WRITTEN PERMISSION					