

# TL1015 SERIES TACT SWITCH

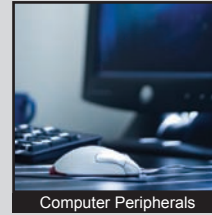
ANTI-VANDAL SWITCHES  
 DETECTOR SWITCHES  
 DIP SWITCHES  
 KEYLOCK SWITCHES  
 NAVIGATION SWITCHES  
 PUSHBUTTON SWITCHES  
 ROCKER SWITCHES  
 ROTARY SWITCHES  
 SLIDE SWITCHES  
 SNAP ACTION SWITCHES  
**TACTILE SWITCHES**  
 TOGGLE SWITCHES  
 CAP OPTIONS



## APPLICATIONS / MARKETS



Audio / Visual



Computer Peripherals



Consumer Electronics



Instrumentation



Telecommunication



Medical Equipment

**RoHS**

## SPECIFICATIONS

**Electrical Rating:** 50mA @ 12VDC  
**Life Expectancy:** 200,000 cycles  
**Contact Resistance:** 100mΩ Max. Initial  
**Insulation Resistance:** 100 MΩ Min. at 500V  
**Dielectric Strength:** 100VAC for 1 min.  
**Operating Temperature:** -20°C to 70°C  
**Storage Temperature:** -40°C to 80°C  
**Operating Force:** 160 gf  
**Travel:** 0.20mm  
**Contact Arrangement:** SPST

## FEATURES & BENEFITS

- Tape & Reel packaging
- Surface mount termination - top actuated
- Ultra-miniature in size

## PART NUMBER CONFIGURATOR

| Series                              | Boss                                     | Actuation Force                            | Contact Plating                         | Termination                               |
|-------------------------------------|--|--|---|---|
| <input type="text" value="TL1015"/> | <input type="text" value="A - No boss"/> | <input type="text" value="F160 - 160 gf"/> | <input type="text" value="Q - Silver"/> | <input type="text" value="G - Gullwing"/> |

*Specifications subject to change without notice*



**E-SWITCH®**

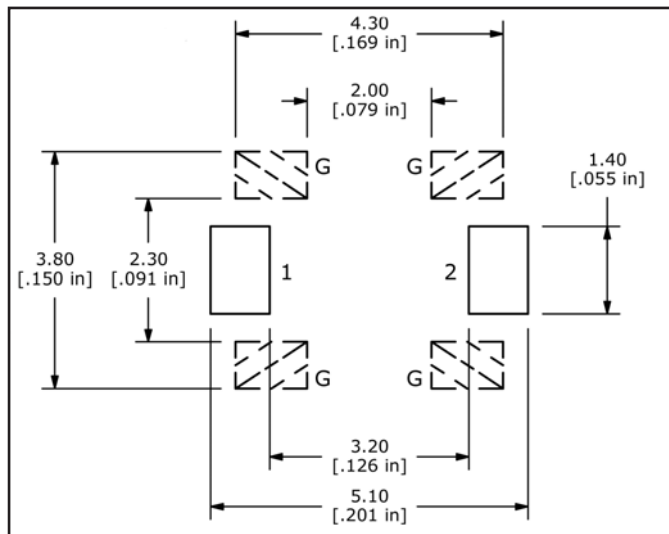
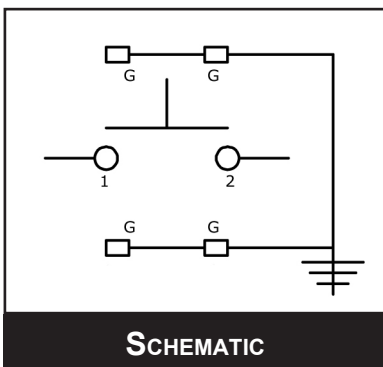
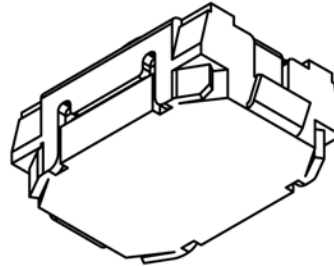
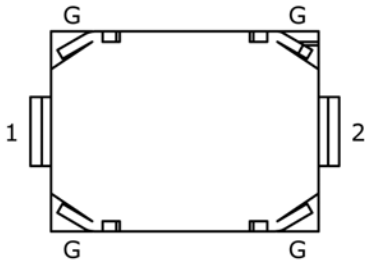
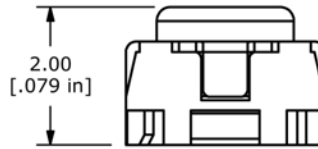
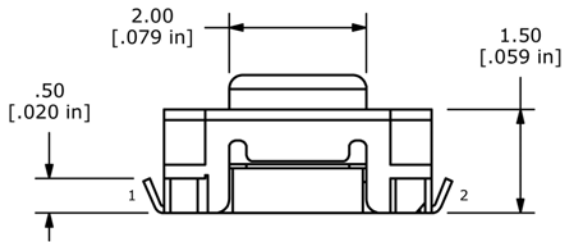
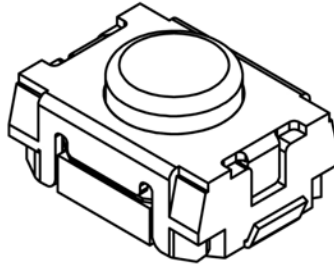
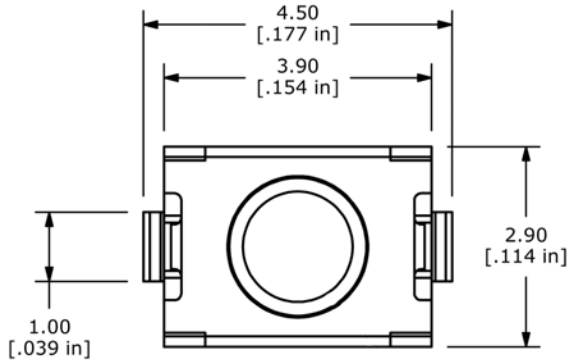
www.e-switch.com

800.867.2717

2

# TL1015 SERIES TACT SWITCH

## BODY DIMENSIONS



**PCB LAYOUT (GROUND TERMINALS OPTIONAL)**

- ANTI-VANDAL SWITCHES
- DETECTOR SWITCHES
- DIP SWITCHES
- KEYLOCK SWITCHES
- NAVIGATION SWITCHES
- PUSHBUTTON SWITCHES
- ROCKER SWITCHES
- ROTARY SWITCHES
- SLIDE SWITCHES
- SNAP ACTION SWITCHES
- TACTILE SWITCHES**
- TOGGLE SWITCHES
- CAP OPTIONS

