

Issue No. : Y1C-119-001(000)

To: _____

23, June., 2014

Notice of Process Change

TDK Corporation
Thin Film Device Center
QA Manager
Eng Manager
Thin Film Solution Products Group
Sr. Manager
Hiroataka Kobayashi
Yoshikazu Tsuya
Tomokazu Ito

We will apply process change as follows :
Please review, and reply with instructions regarding this application by filling out the ANSWER SHEET below.

Name of change	Change of carrier tape shape		
Customer Part #	See attachment-1	TDK Part #	See attachment-1
Before	After	Remark	
Flat type	→ Emboss type	Please refer to the attachment-2 and the attachment-3	
<p>Purpose</p> <p>It is impossible to supply current "Flat type" product because of being notified the discontinuation for current "Flat Type" product from our supplier.</p> <p>We must change the carrier tape in a hurry along with the order increase.</p> <p>We appreciate your understanding and cooperation for our request in advance.</p> <p>If there is no response from you until Aug/1st, we recognize that Process Change Notice was accepted.</p>			
Schedule : Running chage since 18th August, 2014	Request reply : By 1st August ,2014	Attachment : <input checked="" type="radio"/> Yes . No	

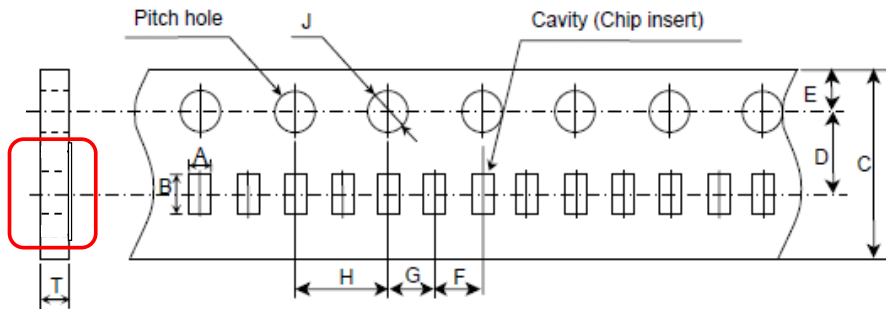
To : TDK Corporation Thin Film Device Center	ANSWER SHEET	Responsible person : Person in charge : Section :
Date : / /		
Approval Implementation: <input type="checkbox"/> Yes	Condition for approval	

attachment-2

Size : 0.65 x 0.5

Before

Flat type

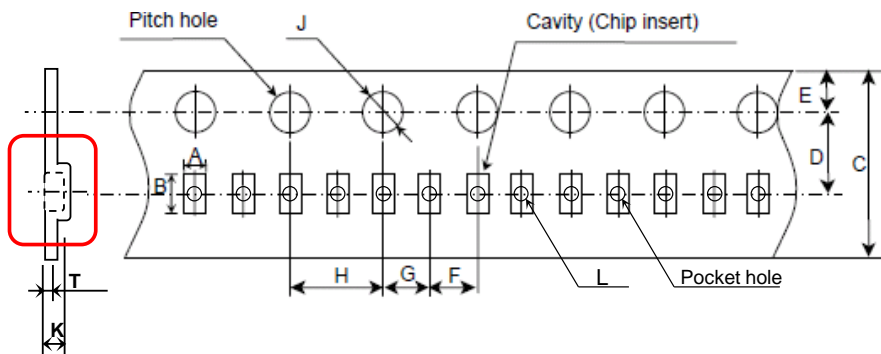


(Unit : mm)

Symbol	A	B	C	D	E	F
Dimension	0.6 ± 0.03	0.8 ± 0.03	8.0 ± 0.2	3.5 ± 0.05	1.75 ± 0.1	2.0 ± 0.05
Symbol	G	H	J	T		
Dimension	2.0 ± 0.05	4.0 ± 0.05	$\varnothing 1.5$	$+0.1$ 0	$0.35 \pm$ 0.03	

After

Emboss type



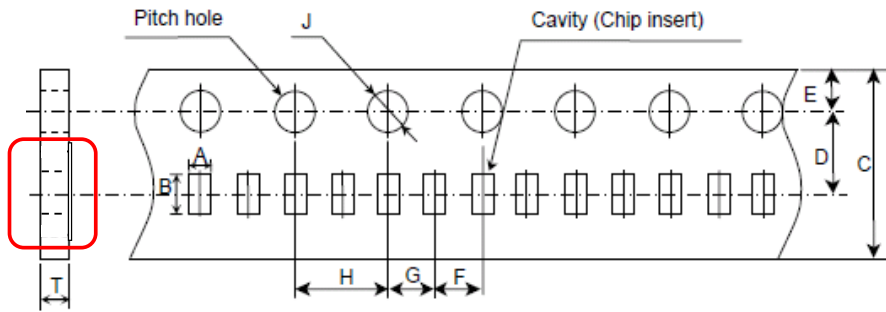
(Unit : mm)

Symbol	A	B	C	D	E	F	
Dimension	$0.665 \pm$ 0.03	$0.865 \pm$ 0.03	8.0 ± 0.2	3.5 ± 0.05	1.75 ± 0.1	2.0 ± 0.05	
Symbol	G	H	J	K	T	L	
Dimension	2.0 ± 0.05	4.0 ± 0.1	$\varnothing 1.5$	$+0.1$ 0	$0.32 \pm$ 0.02	$0.20 \pm$ 0.05	$\varnothing 0.20 \pm$ 0.05

attachment-3

Size : 1.0 x 0.5

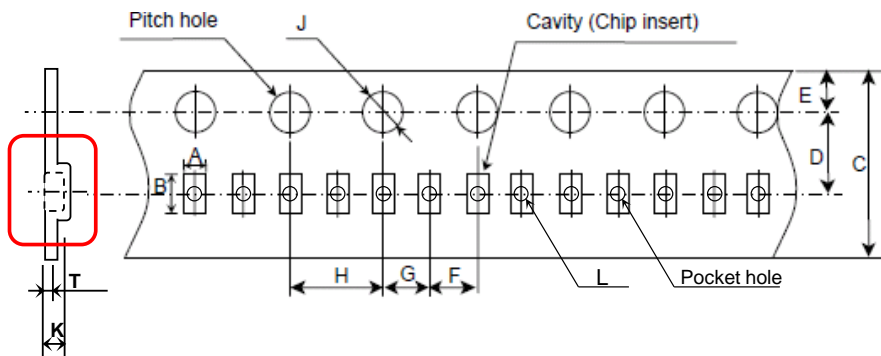
Before Flat type



(Unit : mm)

Symbol	A	B	C	D	E	F
Dimension	0.63 ± 0.03	1.13 ± 0.03	8.0 ± 0.2	3.5 ± 0.05	1.75 ± 0.1	2.0 ± 0.05
Symbol	G	H	J	T		
Dimension	2.0 ± 0.05	4.0 ± 0.05	∅1.5	+0.1 0	0.35 ± 0.03	

After Emboss type



(Unit : mm)

Symbol	A	B	C	D	E	F	
Dimension	0.68 ± 0.03	1.12 ± 0.03	8.0 ± 0.2	3.5 ± 0.05	1.75 ± 0.1	2.0 ± 0.05	
Symbol	G	H	J	K	T	L	
Dimension	2.0 ± 0.05	4.0 ± 0.1	∅1.5	+0.1 0	0.35 ± 0.03	0.20 ± 0.05	∅0.50 ± 0.05

TDK Part Number

TFSC06052450-2108AC
TFSC06054125-2113A1
TFSD10055950-5102A2
TFSL06050915-4108B1
TFSB10052450-1001B1
TFSB10055375-1002B1
TFSB10055375-1103A1
TFSC06054125-2111C1
TFSD10055950-5001C1
TFSD10055950-5002A2
TFSD10055950-5101C1
TFSD10055950-5101C1A
TFSL06050915-4119B1
TFSL06051910-4102C2
TFSL06052170-4109C1S
TFSZ06051962-3325A1
TFSZ06052460-3310A2
TFSQ0402COH1C0R3WT
TFSQ0402COH1C0R5WT
TFSQ0402COH1C0R6WT
TFSQ0402COH1C0R8WT
TFSQ0402COH1C0R9WT
TFSQ0402COH1C1R0WT
TFSQ0402COH1C1R1WT
TFSQ0402COH1C1R3WT
TFSQ0402COH1C1R7WT
TFSQ0402COH1C1R8WT
TFSQ0402COH1C2R2WT
TFSQ0402COH1C2R5WT
TFSQ0402COH1C2R6WT
TFSQ0402COH1C3R0WT
TFSZ06051960-3315A1
TFSZ06052460-3310E1S